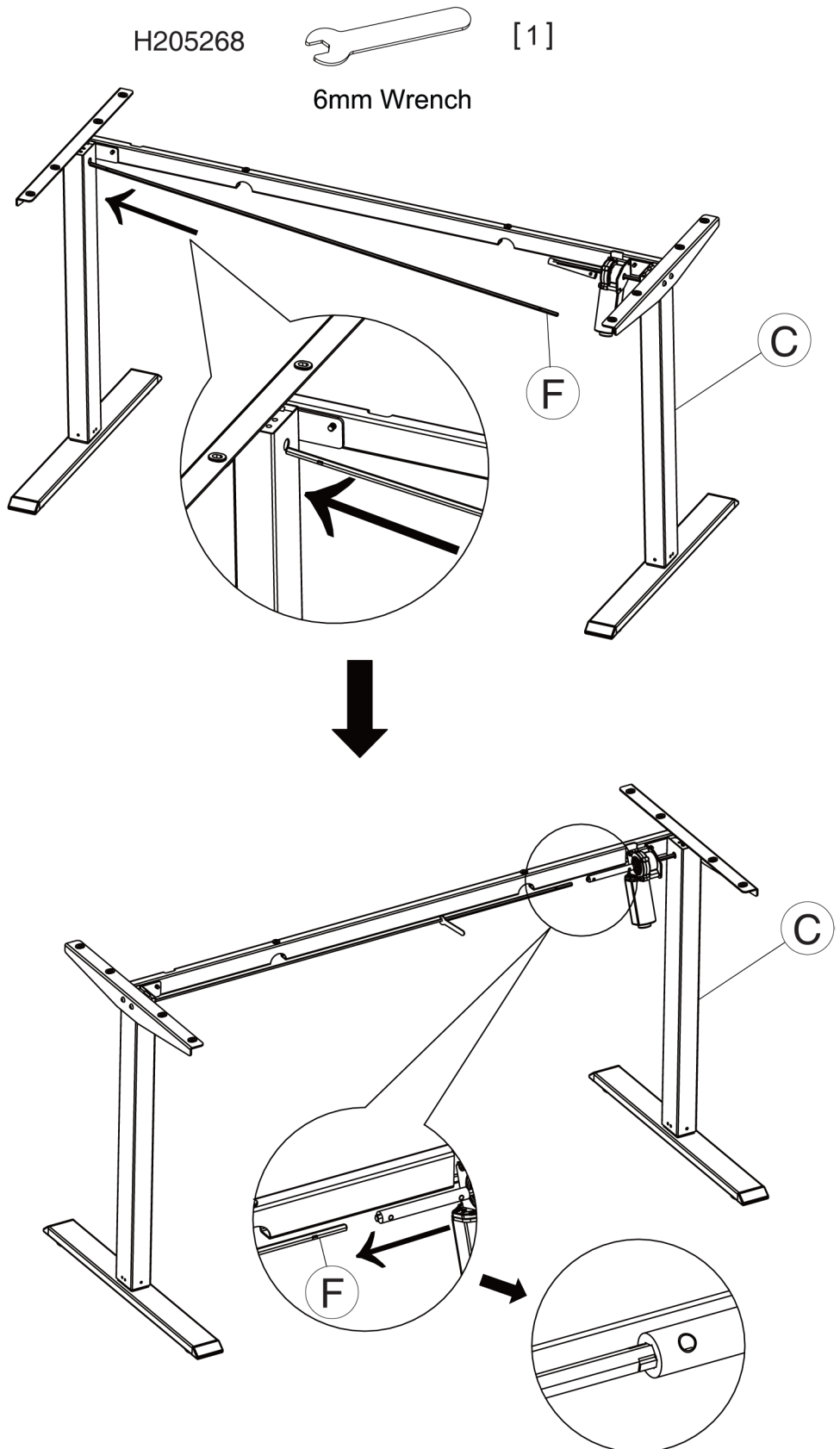
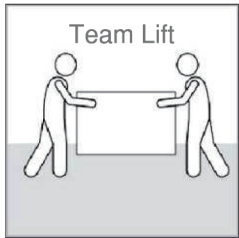


SUPPLEMENTAL ASSEMBLY INSTRUCTIONS

REPLACEMENT FOR ASSEMBLY-STEP 5, PLEASE REFER TO ASSEMBLY DETAILS AS FOLLOWING



NEED HELP?
Call 1-800-950-4782
www.bushfurniture.com