



**PIT BOSS**



®

**PBV7P1**

## WOOD PELLET SMOKER (7-SERIES)

IMPORTANT, READ CAREFULLY, RETAIN  
FOR FUTURE REFERENCE. MANUAL MUST  
BE READ BEFORE OPERATING!

## FUMEUR VERTICAL À GRANULÉS DE BOIS (SÉRIE 7)

IMPORTANT, PRENEZ CONNAISSANCE  
DE CE DOCUMENT ET CONSERVEZ-LE POUR  
RÉFÉRENCE ULTÉRIEURE VOUS DEVEZ LIRE CE  
GUIDE AVANT D'UTILISER LE BARBECUE !

MODEL / MODÈLE : PBV7P1  
PART / PIÈCE : 10716, 77700



## ASSEMBLY AND OPERATION | ASSEMBLAGE ET FONCTIONNEMENT

**WARNING:** Please read the entire manual before installation and use of this electric, pellet fuel-burning appliance. Failure to follow these instructions could result in property damage, bodily injury or even death. Contact local building or fire officials about restrictions and installation inspection requirements in your area.

**AVERTISSEMENT :** Veuillez lire l'intégralité du manuel avant l'installation et l'utilisation de cet appareil électronique à granulés. Le non-respect de ces instructions peut entraîner des dommages aux biens, des blessures ou même la mort. Communiquez avec les autorités locales en matière d'incendie et de bâtiment concernant les restrictions et les exigences d'installation dans votre région.



**RECIPES INCLUDED  
RECETTES INCLUSES**

FOR OUTDOOR AND HOUSEHOLD USE ONLY. NOT FOR COMMERCIAL USE.  
RÉSERVÉ À L'USAGE EXTÉRIEUR ET RÉSIDENTIEL UNIQUEMENT. NON DESTINÉ À UN USAGE COMMERCIAL.

# SAFETY INFORMATION

**MAJOR CAUSES OF APPLIANCE FIRES ARE A RESULT OF POOR MAINTENANCE AND A FAILURE TO MAINTAIN REQUIRED CLEARANCE TO COMBUSTIBLE MATERIALS. IT IS OF UTMOST IMPORTANCE THAT THIS PRODUCT BE USED ONLY IN ACCORDANCE TO THE FOLLOWING INSTRUCTIONS.**

Please read and understand this entire manual before attempting to assemble, operate or install the product. This will ensure you receive the most enjoyable and trouble-free operation of your new wood pellet smoker. We also advise you retain this manual for future reference.

## DANGERS AND WARNINGS

**You must contact your local home association, building or fire officials, or authority having jurisdiction, to obtain the necessary permits, mission or information on any installation restrictions, such as any smoker being installed on a combustible surface, inspection requirements or even ability to use, in your area.**

1. A minimum clearance of 305mm (12 inches) from combustible constructions to the sides of the smoker, and 305mm (12 inches) from the back of the smoker to combustible constructions must be maintained. **Do not install appliance on combustible floors, or floors protected with combustible surfaces unless proper permits and permissions are obtained by authorities having jurisdiction.** Do not use this appliance indoors or in an enclosed, unventilated area. This wood pellet appliance must not be placed under overhead combustible ceiling or overhang. Keep your smoker in an area clear and free from combustible materials, gasoline and other flammable vapors and liquids.

**Should a grease fire occur, turn the smoker OFF and leave the lid closed until the fire is out. Unplug the power cord from the connected outlet. Do not throw water on the unit. Do not try to smother the fire. Use of an all-class (class ABC) approved fire extinguisher is valuable to keep on site. If an uncontrolled fire does occur, call the Fire Department.**

2. Keep electrical supply cords and the fuel away from heated surfaces. Do not use your smoker in the rain or around any water source.
3. After a period of storage, or non-use, check the burn grate for obstructions, the hopper for foreign objects, and any air blockage around the fan intake, chimney, or rear barrel exhaust holes. Clean before use. Regular care and maintenance is required to prolong the lifespan of your unit. **If the smoker is stored outside during the rainy season or seasons of high humidity, care should be taken to insure that water does not get into the hopper.** When wet or exposed to high humidity, wood pellets will expand greatly, decompose, and may jam the feed system. Always disconnect the power, before performing any service or maintenance.

**Do not transport your smoker while in use or while the smoker is hot. Ensure the fire is completely out and that the smoker is completely cool to the touch before moving.**

4. It is recommended to use heat-resistant barbecue mitts or gloves when operating the smoker. Do not use accessories not specified for use with this appliance. Do not put a barbecue cover or anything flammable in the storage space area under the barbecue.
5. To prevent fingers, clothing or other objects from coming in contact with the auger feed system, the appliance is equipped with a metal safety screen, mounted to the interior of the hopper. This screen must not be removed unless directed by Customer Service or an authorized dealer.

**This appliance is not recommended for children, persons with reduced physical, sensory or mental capabilities, or lack of experience and knowledge, unless they are under direct supervision or instruction by a person responsible for their safety.**

6. Parts of the smoker may be very hot and serious injury may occur. Keep young children and pets away while in use.
7. Do not enlarge igniter holes or burn pots. Failure to follow this warning could lead to a fire hazard and bodily harm and will void your warranty.
8. Product may have sharp edges or points. Contact may result in injury. Handle with care.

## DISPOSAL OF ASHES

Ashes should be placed in a metal container with a tight-fitting lid. The closed container of ashes should be placed on a non-combustible floor or on the ground, well away from all combustible materials, pending final disposal. When ashes are disposed by burial in soil, or otherwise locally dispersed, they should be retained in a closed container until all cinders have thoroughly cooled.

## WOOD PELLET FUEL

This pellet cooking appliance is designed and approved for pelletized, all natural, wood fuel only. Any other type of fuel burned in this appliance will void the warranty and safety listing. You must only use all natural wood pellets, designed for burning in pellet barbecue grills. Do not use fuel with additives. Wood pellets are highly susceptible to moisture and should always be stored in an airtight container. If you are storing your grill, without use, for an extended period, we recommend clearing all pellets from your grill's hopper and auger, to prevent jams. The pellet fuel mean heating value in 8000-8770 BTU/LB, ash content < 1%.

**Do not use lava rock, wood chunks, charcoal, spirit, petrol, gasoline, lighter-fluid or kerosene for lighting or refreshing a fire in your smoker. Keep all such substances and liquids well away from appliance when in use.**

At this time of printing, there is no industry standard for barbecue wood pellets, although most pellet mills use the same standards to make wood pellets for domestic use. Further information, can be found at [www.pelletheat.org](http://www.pelletheat.org) or the *Pellet Fuel Institute*.

Contact your local dealer on the quality of pellets in your area, and for information on brand quality. As there is no control over the quality of pellets used with the appliance, Dansons assumes no liability caused by the quality of fuel.

## CREOSOTE

Creosote, or soot, is a tar-like substance. When burning, it produces black smoke with a residue which is also black in color. Soot or creosote is formed when the appliance is operated incorrectly, such as: blockage of the burn pot, blockage of the combustion fan, failure to clean and maintain the burn area, or poor air-to-fuel combustion.

It is dangerous to operate this appliance should the flame become dark, sooty, or if the burn pot is overfilled with pellets. When ignited, this creosote makes an extremely hot and uncontrolled fire, similar to a grease fire. Should this happen, turn the unit off, let it cool completely, then inspect for maintenance and cleaning. It commonly accumulates along exhaust areas.

If creosote has formed within the unit; allow the unit to warm up at a low temperature, turn off the appliance, then wipe away any formation with a hand towel. Similar to tar, it is much easier to clean when warm, as it becomes liquid.

## CARBON MONOXIDE ("THE SILENT KILLER")

Carbon monoxide is a colorless, odorless, tasteless gas produced by burning gas, wood, propane, charcoal or other fuel. Carbon monoxide reduces the blood's ability to carry oxygen. Low blood oxygen levels can result in headaches, dizziness, weakness, nausea, vomiting, sleepiness, confusion, loss of consciousness or death. Follow these guidelines to prevent this colorless, odorless gas from poisoning you, your family, or others:

- See a doctor if you or others develop cold or flu-like symptoms while cooking or in the vicinity of the appliance. Carbon monoxide poisoning, which can easily be mistaken for a cold or flu, is often detected too late.
- Alcohol consumption and drug use increase the effects of carbon monoxide poisoning.
- Carbon monoxide is especially toxic to mother and child during pregnancy, infants, the elderly, smokers, and people with blood or circulatory system problems, such as anemia, or heart disease.

## SAFETY LISTING

In accordance with the procedures and specifications listed in the UL SUBJECT 2728-2009 "pellet fuel cooking appliances" and ULC/ORD-C2728 "for electrical features of fuel burning equipment." Pit Boss® Grills pellet cooking appliances have been independently tested and listed by INTERTEK (an accredited testing laboratory) to ETL, UL, ULC and CSA standards.



### COPYRIGHT NOTICE

Copyright 2021. All right reserved. No part of this manual may be copied, transmitted, transcribed, stored in a retrieval system, in any form or by any means without expressed written permission of,

#### **Dansons**

3411 North 5th Avenue, Suite 500, Phoenix, AZ, USA 85013  
sales@pitboss-grills.com | service@pitboss-grills.com  
**www.pitboss-grills.com**

#### **Customer Service**

Monday through Sunday, 4am - 8pm PST (EN/FR/ES)  
**Toll-Free: 1-877-303-3134, Fax: 1-877-303-3135**

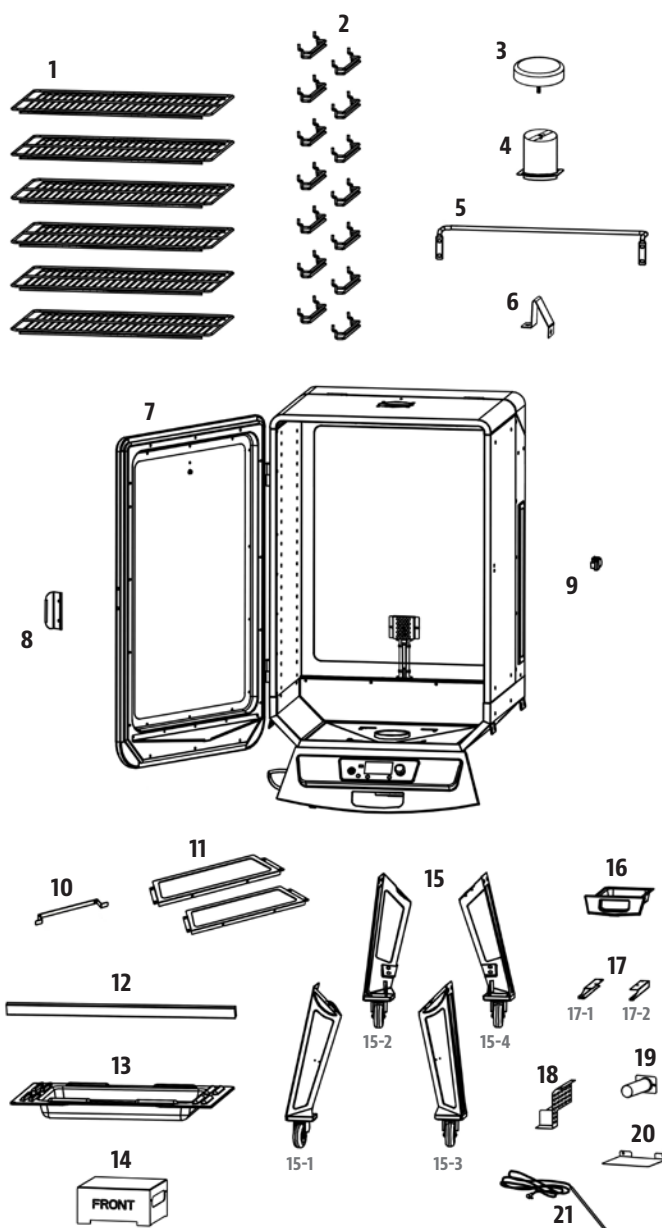
# TABLE OF CONTENTS

Safety Information .....	2	Care & Maintenance .....	17
Parts & Specs.....	6	Using Wood Pellet Fuel.....	18
Assembly Preparation.....	7	Cooking Guidelines.....	18
Assembly Instructions		Tips & Techniques .....	20
Mounting The Support Legs To Main Cabinet.....	7	Troubleshooting .....	21
Securing The Control Panel To Support Legs .....	7	Electrical Wire Diagram .....	23
Mounting The Support Panels .....	8	Replacement Parts	
Securing The Support Bar.....	8	Smoker Replacement Parts .....	24
Mounting The Grease Exhaust Tube.....	8	Electrical Replacement Parts.....	25
Attaching The Heat Shield .....	8	Warranty	
Mounting The Power Cord Bracket.....	9	Conditions.....	25
Securing The Grease Tray Brackets.....	9	Exceptions.....	26
Placing The Grease Tray .....	9	Ordering Replacement Parts .....	26
Attaching The Hopper Clean-Out Door Knob .....	9	Contact Customer Service .....	26
Mounting The Back Handle .....	10	Warranty Service .....	26
Securing The Chimney.....	10	Accessories Sold Separately.....	27
Installing The Lid Stopper .....	10	Recipes .....	28
Mounting The Cabinet Door Handle, Door Latch .....	10		
Installing The Cooking Components .....	11		
Connecting To A Power Source.....	11		
Operating Instructions			
Smoker Environment.....	12		
Smoker Temperature Ranges.....	13		
Understanding The Control Board .....	14		
Understanding The Probes .....	14		
Hopper Priming Procedure .....	15		
First Use – Smoker Burn-Off.....	15		
Automatic Start-Up Procedure.....	15		
Manual Start-Up Procedure .....	16		
Shutting Off Your Smoker .....	16		

# PARTS & SPECS

ENGLISH

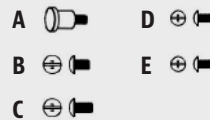
Part#	Description
1	Cooking Grids (x6)
2	Cooking Grid Support Brackets (x14)
3	Chimney Cap (x1)
4	Chimney Stack (x1)
5	Back Handle (x1)
6	Lid Stopper (x1)
7	Main Cabinet (x1)
8	Cabinet Door Handle (x1)
9	Cabinet Door Latch (x1)
10	Power Cord Bracket (x1)
11	Support Panel (x2)
12	Support Bar (x1)
13	Water Pan (x1)
14	Flame Tamer (x1)
15	Support Leg With Wheel (x4)
16	Grease Tray (x1)
17	Grease Tray Brackets (x2)
18	Wire Components Housing (x1)
19	Grease Exhaust Tube (x1)
20	Heat Shield (x1)
21	Meat Probe (x1)
A	Door Knob (x1)
B	¼-20x½" Screw (x12)
C	¼-20x⅝" Screw (x4)
D	#10-24x½" Screw (x34)
E	#10-24x⅓" Screw (x2)



NOTE: Due to ongoing product development, parts are subject to change without notice. Contact Customer Service if parts are missing when assembling the unit.

## PB – ELECTRIC REQUIREMENTS

110-120V, 60HZ, 250W, 3-PRONG GROUNDED PLUG



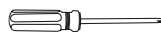
MODEL	UNIT ASSEMBLED (WxHxD)	UNIT WEIGHT	COOKING AREA	TEMP. RANGE	DIGITAL FEATURES
PB PBV7P1	734 x 1,468 x 709 mm / 28.8 x 57.8 x 27.9 in	64.3 kg / 141.09 lb	Cubic Cooking: 0.16 m <sup>3</sup> / 5.6 ft <sup>3</sup> TOTAL - 11,715 cm <sup>2</sup> / 1,815 sq. in.	65-215°C / 150-420°F	Ten temperature presets, start-up and cool-down cycles, electric igniter

# ASSEMBLY PREPARATION

Parts are located throughout the shipping carton, including underneath the smoker. Inspect the smoker, parts, and hardware blister pack after removing from the protective shipping carton. Discard all packaging materials from inside and outside of the smoker before assembly, then review and inspect all parts by referencing the parts list. If any part is missing or damaged, do not attempt to assemble. Shipping damage is not covered under warranty. Contact your dealer or Pit Boss® Customer Service for parts: Monday through Sunday, 4am - 8pm PST (EN/FR/ES).

**IMPORTANT: To ease installation, using two people is helpful (but not necessary) when assembling this unit.**

**Tools required for assembly:** screwdriver and level. *Tools not included.*



# ASSEMBLY INSTRUCTIONS

**IMPORTANT: It is advised to read each step entirely before starting assembly on instructions. Do not tighten screws completely until all screws for that step have been installed, or unless otherwise mentioned.**

## 1. MOUNTING THE SUPPORT LEGS TO MAIN CABINET

### Parts Required:

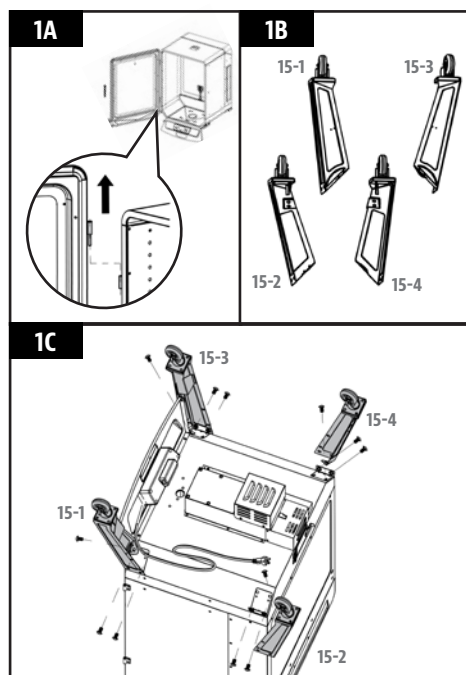
- 1 x Main Cabinet (#7)
- 4 x Support Leg With Wheel (#15)
- 12 x ¼-20x½" Screw (#B)

### Installation:

- Place a piece of cardboard on the floor to prevent scratching the unit and parts during assembly. First, lift the main cabinet door off the hinges, and place aside. Note illustration 1A
- Next, flip the main cabinet, bottom side pointed upward, on the cardboard. Prepare the four support legs for installation, arranging the labeled legs as shown in illustration 1B.

**IMPORTANT: The four support legs must be arranged correctly to be able to properly install the support panels and support bar in a later assembly step.**

- Mount one support leg to the smoke cabinet using three screws. Repeat installation for the other three support legs. Note illustration 1C.



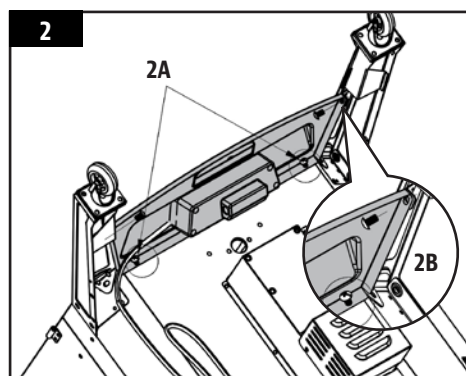
## 2. SECURING THE CONTROL BOARD TO SUPPORT LEGS

### Parts Required:

- 2 x #10-24x½" Screw (#D)

### Installation:

- Near the Control Board, loosen the two screws connecting the front panel to the main cabinet. Note 2A.
- Next, using another two screws, secure the front panel sides to the front-facing support legs. Once these screws are tight, re-tighten the two screws that were previously loosened. Note 2B.



### 3. MOUNTING THE SUPPORT PANELS

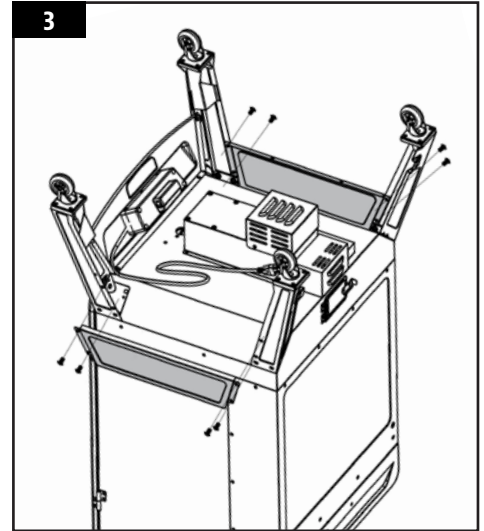
#### Parts Required:

- 2 x Support Panel (#11)
- 8 x #10-24x $\frac{1}{2}$ " Screw (#D)

#### Installation:

- Install one support panel to the side of the unit between a front and back support leg. Secure using two screws on each side. Ensure the flat side of the support plate is facing outwards. Repeat the same installation to mount the other support panel. Note illustration for support panel arrangement.

**NOTE:** The support panel with two holes along the bottom should be on the same side of the unit as the power cord exits the control board (left side). This is important for later steps.



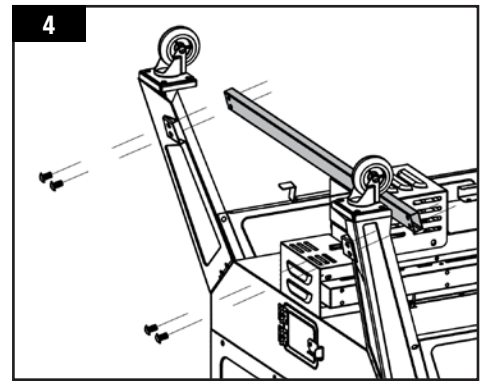
### 4. SECURING THE SUPPORT BAR

#### Parts Required:

- 1 x Support Bar (#12)
- 4 x #10-24x $\frac{1}{2}$ " Screw (#D)

#### Installation:

- Install the support bar to the rear of the unit between the two rear support legs. Secure using two screws on each side. Ensure the support bar is placed on the underside of the main cabinet, facing inwards. Note illustration for support bar arrangement.



### 5. MOUNTING THE GREASE EXHAUST TUBE

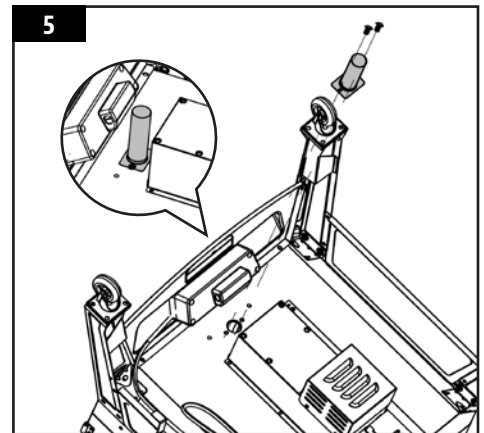
#### Parts Required:

- 1 x Grease Exhaust Tube (#19)
- 2 x #10-24x $\frac{1}{3}$ " Screw (#E)

#### Installation:

- Mount the grease exhaust tube to the underside of the main cabinet using two screws.

**IMPORTANT:** Ensure there is a good seal to the main cabinet, as grease will come from the main cabinet, flow through the exhaust tube, and exit into the grease tray.



### 6. ATTACHING THE HEAT SHIELD

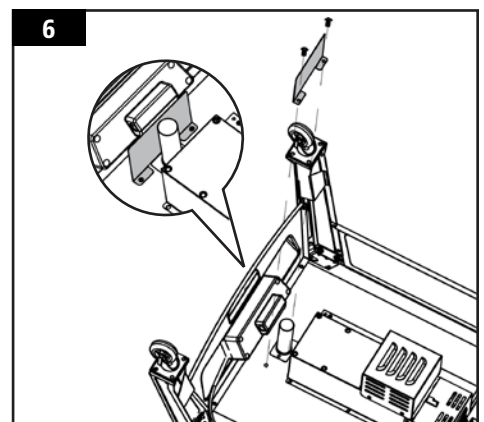
#### Parts Required:

- 1 x Heat Shield (#20)
- 2 x #10-24x $\frac{1}{2}$ " Screw (#D)

#### Installation:

- Position the heat shield between the control board and the grease exhaust tube. Secure using a screw on each side.

**IMPORTANT:** If this part is not installed correctly, the heat and/or splatter from the grease exhaust tube may cause damage to the control board. Grease damage to the rear of control board is not covered by warranty.





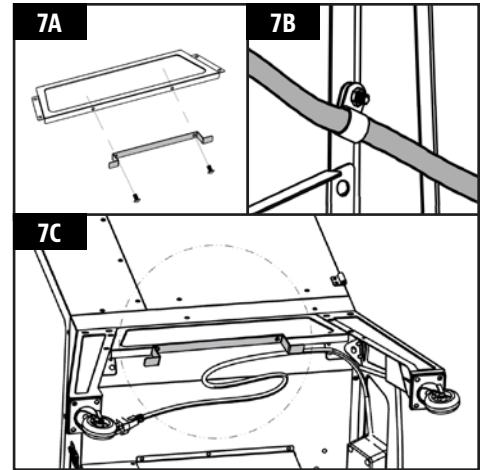
## 7. MOUNTING THE POWER CORD BRACKET

### Parts Required:

- 1 x Power Cord Bracket (#10)
- 2 x #10-24x $\frac{1}{2}$ " Screw (#D)

### Installation:

- Locate the two holes on the bottom of the (left side) support bracket. Mount the power cord bracket to the support bracket using two screws as shown in 7A.
- Next, loosen the nut on the pre-mounted clip bracket and guide the power cord through the clip bracket. Once through, tighten the nut, and wrap the power cord on the bracket until unit is in use. Note 7B, 7C.



## 8. SECURING THE GREASE TRAY BRACKETS

### Parts Required:

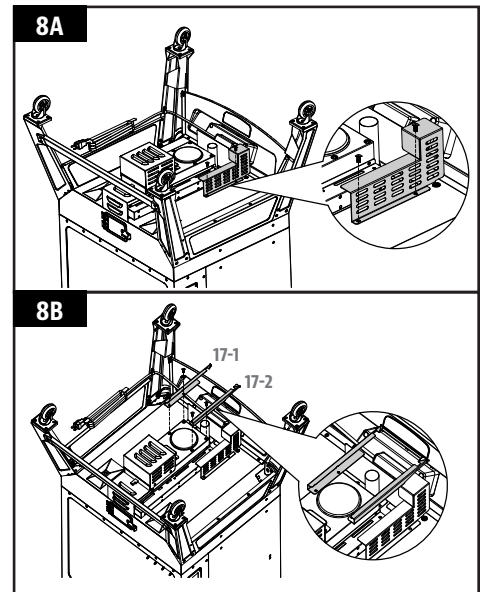
- 1 x Wire Components Housing (#18)
- 2 x Grease Tray Brackets (#17)
- 6 x #10-24x $\frac{1}{2}$ " Screw (#D)

### Installation:

- First, mount the wire components housing onto the base of the auger housing using two screws in each bracket. Note 8A.
- Secure the grease tray brackets onto the base of the auger housing and the wire components housing using two screws in each bracket. Note illustration 8B for proper placement.

**NOTE: The diveted end of the brackets should face the control board.**

- Fully-tighten all screws on the cart base. Next, carefully turn the unit into an upright position, with the wheels are on the bottom.



## 9. PLACING THE GREASE TRAY

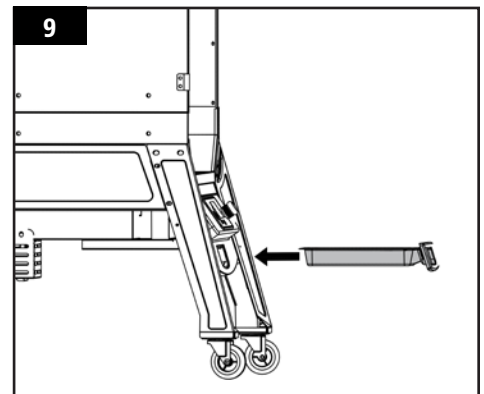
### Parts Required:

- 1 x Grease Tray (#16)

### Installation:

- Slide the grease tray into the grease tray brackets on the front underside of the main cabinet, under the control board.

**NOTE: The grease tray is completely inserted once the front of the tray is pushed in as far as it can go, with no gap between the grease tray and the front panel.**



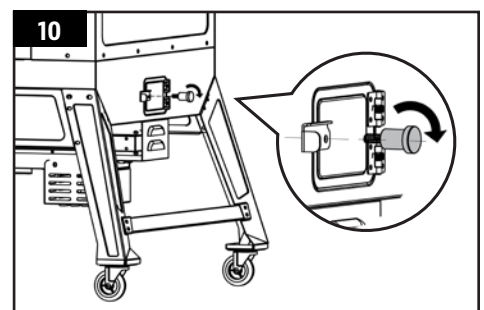
## 10. ATTACHING THE HOPPER CLEAN-OUT DOOR KNOB

### Parts Required:

- 1 x Door Knob (#A)

### Installation:

- Attach the door knob to the hopper clean-out door by rotating the part into the hole on the door.



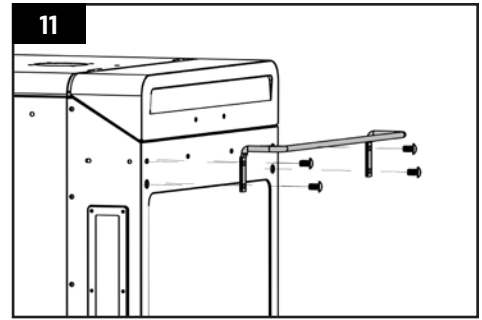
### 11. MOUNTING THE BACK HANDLE

**Parts Required:**

- 1 x Back Handle (#5)
- 4 x ¼-20x5/8" Screw (#C)

**Installation:**

- Mount the back handle onto the back side of the hopper using four screws (#C). Note correct position in illustration with handle on top.



### 12. SECURING THE CHIMNEY

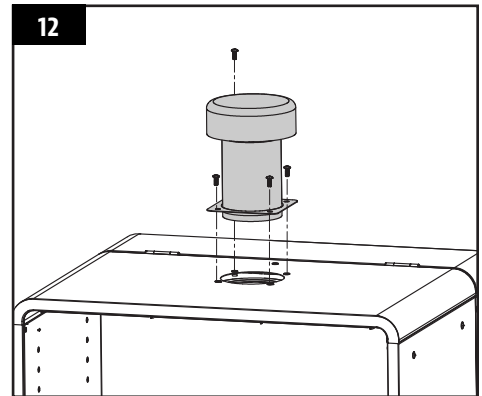
**Parts Required:**

- 1 x Chimney Cap (#3)
- 1 x Chimney Stack (#4)
- 4 x #10-24x1/2" Screw (#D)

**Installation:**

- Locate the chimney opening on the top of the main cabinet. From the outside, secure the chimney to the top panel using four screws. The screw will fasten to the self-clinching nut on the inside of the cabinet. Next, twist the chimney cap onto the top.

**NOTE: Adjust the chimney cap to affect the airflow inside the main cabinet. If cooking at low temperature, keep the cap more open.**



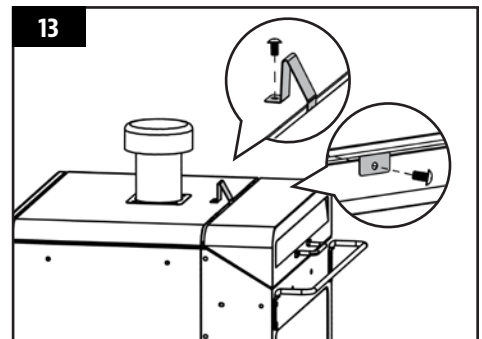
### 13. INSTALLING THE LID STOPPER

**Parts Required:**

- 1 x Lid Stopper (#6)
- 2 x #10-24x1/2" Screw (#D)

**Installation:**

- Install the lid stopper onto the top of the main cabinet near the hopper lid, using one screw on the top side and one screw on the inside edge between the hopper lid hinges.



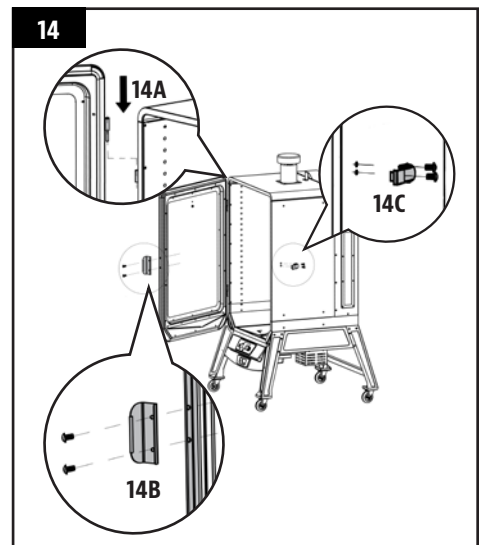
### 14. MOUNTING THE CABINET DOOR HANDLE, DOOR LATCH

**Parts Required:**

- 1 x Cabinet Door Handle (#8)
- 1 x Cabinet Door Latch (#9)
- 4 x #10-24x1/2" Screw (#D)

**Installation:**

- First, remount cabinet door to the main cabinet by aligning and securing both hinges. Ensure the door is mounted correctly by testing it opens freely. Note 14A.
- Mount the cabinet door handle onto the front side of the cabinet door using two screws. Note correct direction in 14B.
- Mount the cabinet door latch onto the exterior side of the main cabinet using two screws. Note 14C.



## 15. INSTALLING THE COOKING COMPONENTS

### Parts Required:

- 14 x Cooking Grid Support Brackets (#2)
- 6 x Cooking Grids (#1)
- 1 x Water Pan (#13)
- 1 x Flame Tamer (#14)

### Installation:

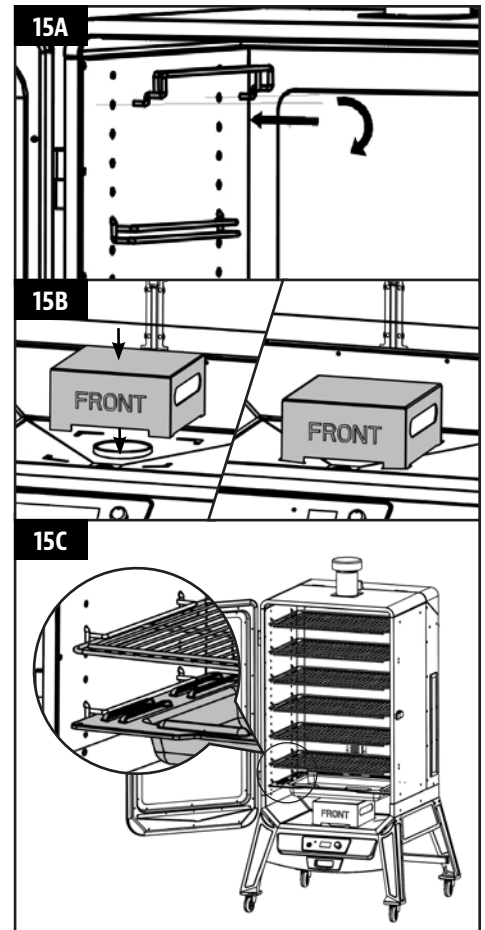
- Insert seven cooking grid support brackets into the holes along the left side wall of the interior main cabinet. Once positioned in the holes, tilt downward to secure into position. Repeat the same process, matching the same heights, for the right side wall. Note illustration 15A.
- Place the flame tamer over the burn pot at the bottom of the interior main cabinet. To ensure proper positioning, align the flame tamer into the grooves along the bottom of the base panel. Note illustration 15B.

**IMPORTANT: The ventilation windows on the sides of the flame tamer box must not face forward, towards the cabinet door. This may cause damage to the control board if flames are too large.**

- Next, insert the water pan into the lowest grid support brackets of the interior cabinet. Fill your water pan about  $\frac{3}{4}$  full of water.

**IMPORTANT: Keep water in the water pan at all times while cooking. It will catch grease and drippings from your cooks and allow for easier clean up. If smoking for an extended period of time, move water pan up higher to allow water to last longer.**

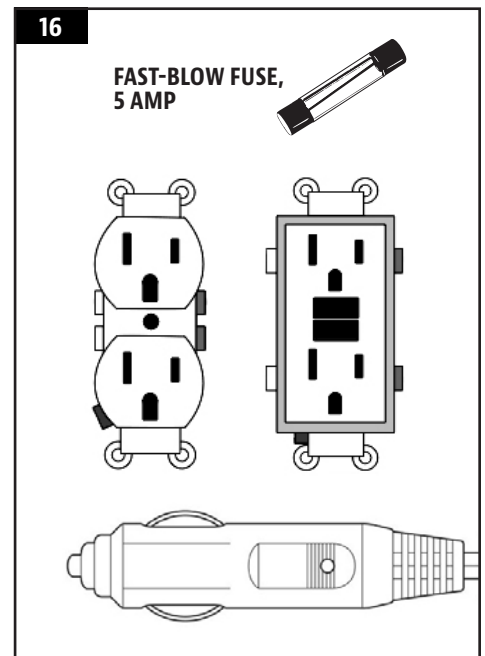
- Last, place the cooking grids, one-by-one, on the grid support brackets inside the main cabinet. Note illustration 15C. The unit is now completely assembled.



## 16. CONNECTING TO A POWER SOURCE

**NOTE: Before plugging your unit into any electrical outlet, ensure the temperature dial is in the SMOKE position. Disconnect when not in use.**

- **STANDARD OUTLET**  
This unit requires 110-120 volt, 60Hz, 250W. It must be a 3-prong grounded plug. Ensure grounded end is not broken off. The control uses a 5 amp, 110-120 volt, fast-blow fuse to protect the board from the igniter.
- **GFCI OUTLETS**  
This appliance will work on most GFCI outlets, with a recommended size of 15 amp service. If your GFCI outlet is highly sensitive to power surges, it will likely trip during the start-up phase of operation. During the start-up phase, the igniter draws 200-700 watts of electricity which can be too much power for a GFCI outlet to handle. The quality of the GFCI does not matter, but rather the sensitivity; each time it trips, it increases in sensitivity. If the GFCI keeps tripping, replace the outlet or change to a non-GFCI outlet.
- **ON THE ROAD**  
Disconnect the igniter from the main wiring harness. Use the manual start-up procedure. A Pit Boss® unit can operate using a 12 volt, 100 watt inverter plugged into your automobile outlet. To use the automatic igniter, it is recommended to use a minimum of a 1000 watt inverter.



# OPERATING INSTRUCTIONS

*With today's lifestyle of striving to eat healthy and nutritious foods, a factor to consider is the importance of reducing fat intake. One of the best ways to cut down on fat in your diet is to use a low fat method of cooking, such as smoking. As a pellet smoker uses natural wood pellets, the savory wood flavor is cooked into the meats, reducing the need for high sugar-based sauces.*

## SMOKER ENVIRONMENT

### 1. *WHERE TO SET-UP THE SMOKER*

With all outdoor appliances, outside weather conditions play a big part in the performance of your smoker and the cooking time needed to perfect your meals. The Pit Boss®, because of its double wall construction, should be considered as a 3 season smoker, depending on where you live. All Pit Boss® units should keep a minimum clearance of 305mm (12 inches) from combustible constructions, and this clearance must be maintained while the smoker is operational. This appliance must not be placed under overhead combustible ceiling or overhang. Keep your smoker in an area clear from combustible materials, gasoline and other flammable vapors and liquids.

### 2. *COLD WEATHER COOKING*

As it becomes cooler outside, that does not mean that the outdoor cooking season is over! The crisp cool air and heavenly aroma of smoked foods will help cure your winter blues. Follow these suggestions on how to enjoy your smoker throughout the cooler months:

- If smoking at low temperatures fails, increase the temperature slightly to achieve the same results.
- Organize – Get everything you require ready in the kitchen before you head outdoors. During the winter, move your smoker to an area that is out of the wind and direct cold. Check local bylaws regarding the proximity of your smoker in relation to your home and/or other structures. Put everything you need on a tray, bundle up tight, and get it done!
- To help keep track of the outside temperature, place an outdoor thermometer close to your cooking area. Keep a log or history of what you cooked, the outdoor temperature, and the cooking time. This will help later down the road to help you determine what to cook and how long it will take.
- In very cold weather, increase your preheating time by at least 20 minutes.
- Avoid opening the smoke cabinet door any more than necessary. Cold gusts of wind can completely cool your internal temperature. Be flexible with your serving time; add about 10 – 15 minutes extra cooking time each time you open the door.
- Have a heated platter or a dish cover ready to keep your food warm while making the trip back inside.
- Ideal foods for winter cooking are those that require little attention, such as roasts, whole chickens, ribs, and turkey. Make your meal preparation even easier by adding simple items such as vegetables and potatoes.

### 3. *HOT WEATHER COOKING*

As it becomes warmer outdoors, the cooking time will decrease. Proper dress is important when it gets really hot: shorts, shirt, shoes, hat, apron and a generous slab of suntan lotion is recommended. Follow these few suggestions on how to enjoy your smoker throughout the hot months:

- Adjust your cooking temperatures downward. This helps to avoid unwanted flare-ups.
- Use a meat thermometer to determine the internal temperature of your foods. This helps in preventing your meat from over cooking and drying out.
- Even in hot weather, keep the smoke cabinet door closed at all times.
- You can keep foods hot by wrapping them in foil, and placing them in an insulated cooler. Stuff crumpled up newspaper around the foil and this will keep food hot for 3 to 4 hours.

## SMOKER TEMPERATURE RANGES

Temperature readouts on the control board may not exactly match the thermometer. All temperatures listed below are approximate and are affected by the following factors: outside ambient temperature, the amount and direction of wind, the quality of pellet fuel being used, the cabinet door being opened, and the quantity of food being cooked.

- **HIGH TEMPERATURE (190-215°C / 375-420°F)**

This range is used to grill at high heat, without any contact with flame. High temperature is also used as the burn-off temperature to clean off the cooking grids after use. Additionally, high heat can be used in extreme cold weather conditions to compensate for the contrast of temperatures between outside and inside the unit.

- **MEDIUM TEMPERATURE (135-177°C / 275-350°F)**

This range is best for baking, roasting, and finishing off that slow smoked creation. Cooking at these temperatures will greatly reduce the chances of a grease flare-up. Great range for cooking anything wrapped in bacon, or where you want versatility with control.

- **LOW TEMPERATURE (65-122°C / 150-250°F)**

This range is used to slow roast, increase smoky flavor, and to keep foods warm. Infuse more smoke flavor and keep your meats juicy by cooking longer at a lower temperature (also known as **low and slow**). Highly recommended for the big turkey at Thanksgiving, juicy ham at Easter, or the huge holiday feast.

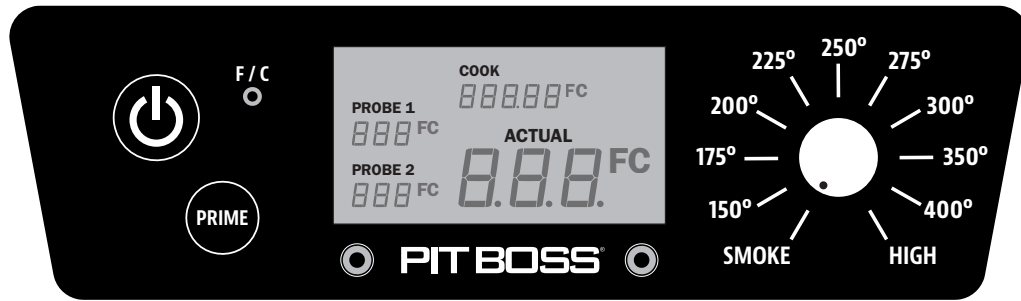
Smoking is a variation on true barbecuing and is truly the main advantage of a smoker. There are two types of smoking: hot smoking and cold smoking.

- **Hot smoking**, another name for **low and slow** cooking, is generally done at 65-122°C / 150-250°F. Hot smoking works best when longer cooking time is required, such as large cuts of meats, fish, or poultry.
- **Cold smoking** is when the food is located so far away from the fire that it smokes without cooking, and at temperatures of 15-32°C / 60-90°F.









**TIP: To intensify that savory flavor, switch to SMOKE (low) temperature range immediately after putting your food on the smoker. This allows the smoke to penetrate the meats, before the pores of the meat close at 49°C / 120°F.**

The key is to experiment with the length of time you allow for smoking, before the meal is finished cooking. Some outdoor chefs prefer to smoke at the end of a cook, allowing the food to keep warm until ready to serve. Practice makes perfect!

## UNDERSTANDING THE CONTROL BOARD



ENGLISH

CONTROL	DESCRIPTION
	Press the <b>Power Button</b> to power on the unit. Once connected to a power source and the Power Button is pressed, the Digital LED Screen will light up, displaying that it is ready to operate. Press and hold the button to turn the unit off.
	The <b>Temperature Control Dial</b> allows you to set your desired smoking temperature. Select from any of the ten preset temperatures on the dial control, between 65-215°C / 150-420°F. The desired Set temperature is shown on the Digital LED Screen for few seconds, then returns to the Actual temperature.
	The <b>Temperature Switch Button</b> is used to change the temperature readout on the LED Screen. Press the button to switch to Celsius (°C) or to Fahrenheit (°F), as preferred. Default is set to Fahrenheit.
	The <b>Digital LED Screen</b> is used as the information center for your unit. The LED screen will display your Desired Cook Temperature, Actual Cook Temperature, and Meat Probe Temperatures (if connected). If only one Meat Probe is connected, only one reading will be displayed. Temperature can be displayed in either Fahrenheit or Celsius.
	Press and hold the <b>Prime Button</b> to activate an extra feed of pellets to the burn pot. This can be used to add more fuel to the fire just before opening the smoke cabinet door, resulting in a quicker heat recovery time. It can also be used to add more fuel while smoking, to increase the intensity of clean smoke flavor. Requested from the competition cookers.
	The <b>Smoke Setting</b> on the Temperature Control Dial operates unit at the lowest temperature, without the fire going out.
	The plug-in connection port(s) on the front of the Control Board are for a <b>Meat Probe(s)</b> . When a meat probe is connected, the temperature is displayed on the LED Screen. When not in use, disconnect the meat probe from the connection port. <i>Compatible with Pit Boss® branded meat probes only. Additional meat probe(s) sold separately.</i> 

## UNDERSTANDING THE PROBES

### • GRILL PROBE

Located inside the cabinet, on the rear wall along the bottom is the Grill Probe. It is a small vertical piece of stainless steel. The Grill Probe measures the internal temperature of the unit. This internal temperature is displayed on the digital LED Screen as "ACTUAL" temperature.

**IMPORTANT: The temperature of your unit is highly affected on ambient outdoor weather, quality of pellets used, flavor of pellets, and the quantity of food being cooked.**

### • MEAT PROBE

The meat probe measures the internal temperature of your meat in the smoke cabinet, similar to your indoor oven. Plug-in the meat probe adapter to the meat probe connection port and insert the stainless steel meat probe into the thickest portion of your meat and the temperature will be displayed on the control board. **To ensure the meat probe is connected properly to the connection port, feel and hear it snap into place.**

**IMPORTANT: When placing the meat probe into your meat, ensure the meat probe and meat probe wires avoid direct contact with flame or excess heat. This can result in damage to your meat probe. Run the excess wire out the front main cabinet door, along the edge. When not in use, disconnect from the meat probe connection port, and place aside to keep it protected and clean.**

## HOPPER PRIMING PROCEDURE

These instructions should be followed the first time the smoker is ignited, and each time the smoker runs out of pellets in the hopper. The auger must be primed to allow pellets to travel through the length of the auger, and fill the burn pot. If not primed, the igniter will timeout before the pellets are ignited. Follow these steps to prime:

1. Open the hopper lid. Make sure there are no foreign objects in the hopper or blocking the auger feed system at the bottom.
2. Remove all cooking components from the interior of the smoker. Locate the burn pot in the bottom of the smoke cabinet.
3. Plug the power cord into a power source. Press the **Power Button** to turn the unit ON, and turn the **Temperature Control Dial** to the SMOKE position. Check the following items:
  - That you can hear the auger turning. Place your hand above the burn pot and feel for air movement. Do not place your hand or fingers inside the burn pot. This can cause injury.
  - After approximately a minute, you should smell the igniter burning and begin to feel the air getting warmer in the burn pot. The igniter tip does not glow red hot. Do not touch the igniter. This item gets extremely hot and will burn.
4. Once verified that all electric components are working correctly, press and hold the **Power Button** to turn the unit OFF.
5. Fill the hopper with all natural barbecue wood pellets. Monitor the pellet level using the sight-glass along the side.
6. Press the **Power Button** to turn the unit ON. Turn the **Temperature Control Dial** to the SMOKE position. Press and hold the **Prime Button** until you see pellets entering the burn pot from the auger tube. Once pellets begin to drop into the burn pot, release the **Prime Button**. Allow the pellets to ignite and create flame. Once flames are coming out of the burn pot, press and hold the **Power Button** to turn the control board OFF, and let the smoker cool down.
7. After the smoker has cooled, re-install the cooking components into the main cabinet. The smoker is now ready to use.

## FIRST USE – SMOKER BURN-OFF

Once your hopper has been primed and before using your smoker for the first time with food, it is important to complete a burn-off. Start the smoker and operate at any temperature over (177°C / 350°F) with the cabinet door closed for 30 to 40 minutes to burn-off the unit and rid it of any foreign matter.

## AUTOMATIC START-UP PROCEDURE

1. Ensure the **Temperature Control Dial** is in the SMOKE position. Plug the power cord into a grounded power source.
2. Check the burn pot to ensure there is no obstruction for proper ignition. Open the hopper lid. Ensure there are no foreign objects in the hopper or auger feed system entry at the bottom of the cabinet. Fill the hopper with dry, all natural barbecue hardwood pellets.
3. Press the **Power Button** to turn the unit on. This will activate the start-up cycle. The auger feed system will begin to turn, the igniter will begin to glow and the fan will supply air to the burn pot. The smoker will begin to produce smoke while the start-up cycle is taking place. The cabinet door must remain open during the start-up cycle. To confirm the start-up cycle has begun properly, listen for a torchy roar, and notice some heat being produced.
4. Begin to preheat your smoker with the cabinet door closed. Turn the **Temperature Control Dial** to 177°C / 350°F, to allow the unit to preheat for approximately 15 to 20 minutes.
5. After preheating is complete, you are ready to enjoy your smoker at your desired temperature!

**IMPORTANT: When selecting a low or the SMOKE setting after preheating, the auger will continue to turn and feed pellets. This will momentarily raise the temperature, but temperature will eventually decrease and stabilize. Remember, you are trying to regulate a fire, so time is necessary to achieve your desired temperature.**

## IGNITER FAILURE PROCEDURE

If for any reason your electric igniter fails, check the following steps, or start your grill using the manual method.

1. Ensure the **Temperature Control Dial** is in the SMOKE position and the unit is turned off. Open the cabinet door. Remove the cooking components from inside. Remove all unburnt pellets and ash from the burn pot. Avoid touching the igniter to avoid injury, as it may be extremely hot.
2. Once all cooking components are removed and cleaned, press the **Power Button** to turn the unit on. Check the following:
  - Visually confirm that the igniter is working by placing your hand above the burn pot and feeling for heat.
  - Visually confirm that the igniter is protruding approximately 13mm / 0.5 inches in the burn pot.
  - Visually confirm that the auger is dropping pellets into the burn pot.
  - Confirm that the combustion fan is working by listening for a torchy roar.
3. If any of the above points are not working, follow **Troubleshooting** instructions.

## MANUAL START-UP PROCEDURE

1. Ensure the **Temperature Control Dial** is in the SMOKE position. Plug the power cord into a grounded power source.
2. Check burn pot to ensure there is no obstruction for proper ignition. Open the hopper lid. Ensure there are no foreign objects in the hopper or auger feed system. Fill hopper with dry, all natural hardwood barbecue pellets.
3. Open the cabinet door. Remove the cooking components to expose the burn pot. Place a generous handful of pellets into the burn pot. Squirt a gelled fire starter, or other appropriate pellet starter, over the top of the pellets. A small amount of solid fuel fire starter, such as one composed of sawdust and wax, or wood shavings, is also appropriate. Add another small amount of pellets over the burn pot.

**NOTE: Do not use spirit, petrol, gasoline, lighter-fluid or kerosene for lighting or refreshing a fire in your grill.**

4. Light the contents of the burn pot using a long match or long-nosed lighter. Allow the starter to burn for 3 to 5 minutes. Do not attempt to add more starter into the burn pot. This can cause injury.
5. Quickly and carefully replace the cooking components to the inside of the smoke cabinet. The cabinet door must remain open during the start-up cycle.
6. Continue start-up by following steps three through five of **Automatic Start-Up Procedure**.

## SHUTTING OFF YOUR SMOKER

1. When finished cooking, turn the temperature dial to 177°C / 350°F and close the cabinet door. Let your smoker run for 5 to 10 minutes to go through its normal cleaning method. If you have been preparing foods that are extra greasy, allow the smoker to burn-off for an extra 10 to 20 minutes. This will reduce the chance of causing a grease fire for the next start-up.
2. Once the burn-off is complete, keep the cabinet door closed and turn the temperature dial down to 93°C / 200°F for five minutes to allow any remaining pellets to burn out.
3. After five minutes, with the cabinet door remaining closed, press and hold the **Power Button** to turn the unit OFF. The smoker will begin its automatic cool-down cycle. The auger system will stop feeding fuel, the flame will burn out, and the fan will continue to run until the cool-down cycle is complete.



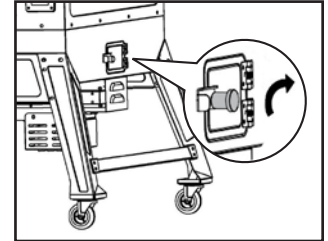
# CARE AND MAINTENANCE

Any Pit Boss® unit will give you many years of flavorful service with minimum cleaning. An important step is allowing the smoke cabinet and cooking grids to self-clean by running the smoker at a high temperature for 5 to 10 minutes after each use. Follow these cleaning and maintenance tips to service your smoker:

## 1. HOPPER ASSEMBLY

- The hopper includes a clean-out feature to allow for ease of cleaning and change out of pellet fuel flavors. To empty, locate the clean-out door of the drop chute on the back side of the hopper. Place a clean, empty pail under the clean-out door, then slowly turn the knob and allow the pellets to empty.

**NOTE: Use a long handled brush or shop-vac to remove excess pellets, sawdust, and debris for a complete clean-out.**



- Check and clean off any debris from the fan air intake vent, found on the rear underside of the smoke cabinet. For an extensive cleaning, carefully wipe off any grease build-up directly on the fan blades (see **Electric Wire Diagram** for access to electric components). This ensures airflow is sufficient to the feed system.

## 2. PROBES

- Kinks or folds in the probe wires may cause damage. A meat probe not in use should be rolled up in a large, loose coil.
- Although both probes are stainless steel, do not place in the dishwasher or submerge in water. Water damage to the internal wires will cause a probe to short-out, causing false readings. If a probe is damaged, it should be replaced.

## 3. INSIDE SURFACES

- It is recommended to clean your burn pot after every few uses. This will ensure proper ignition and avoid any hard build-up of debris or ash in the burn pot.
- Use a long-handled grill cleaning brush (brass or soft metal), remove any food or build-up from the cooking grids. Best practice is to do this while they are still warm from the previous cook. **Grease fires are caused by too much fallen debris on the cooking components of the smoker.** Clean the inside of your smoker on a consistent basis. In the event you experience a grease fire, keep the smoke cabinet door closed to choke out the fire. If the fire does not go out quickly, carefully remove the food, turn the smoker off, and shut the cabinet door until the fire is completely out. Another way to extinguish a fire is to wrap aluminum foil around the smoke stack, closing off air to the interior. Lightly sprinkle baking soda, if available. Check your grease tray often, and clean out as necessary. Keep in mind the type of cooking you do. Ensure the grease exhaust tube is clear of any blockages.

**IMPORTANT: The water pan may accumulate grease. Line the water pan with aluminum foil for easier clean up after cooks. Refill and replace the water in the water pan often.**

- The glass of the cabinet door is tempered and will not break with high heat; however, excessive build-up may cause the door to not close if not cleaned regularly. Smoke and debris can be removed with frequent cleaning of the glass.

## 4. OUTSIDE SURFACES

- Wipe your smoker down after each use. Use warm soapy water to cut the grease. Do not use oven cleaner, abrasive cleansers or abrasive cleaning pads on the outside smoker surfaces. **All painted surfaces are not covered under warranty**, but rather are part of general maintenance and upkeep. For paint scratches, wearing, or flaking of the finish, all painted surfaces can be touched up using high heat BBQ paint.
- Use a cover to protect your smoker for complete protection! A cover is your best protection against weather and outside pollutants. When not in use or for longterm storage, keep the unit under a cover in a garage or shed.

### CLEANING FREQUENCY TIME TABLE (NORMAL USE)

ITEM	CLEANING FREQUENCY	CLEANING METHOD
Main Cabinet Glass Door	Every 2-3 Smoke Sessions	Mix Baking Soda & Vinegar, Scrub with Steel Wool (Fine)
Bottom of Main Cabinet	Every 5-6 Smoke Sessions	Scoop Out, Shop-Vac Excess Debris

<b>Burn Pot</b>	After Each Smoke Session	Scoop Out, Shop-Vac Excess Debris
<b>Cooking Grids</b>	After Each Smoke Session	Burn Off Excess, Brass Wire Brush
<b>Water Pan</b>	After Each Smoke Session	Scrub Pad & Soapy Water
<b>Grease Tray</b>	After Each Smoke Session	Scrub Pad & Soapy Water
<b>Grease Exhaust Tube</b>	Every 5-6 Smoke Sessions	Scrub Pad & Soapy Water
<b>Auger Feed System</b>	When Pellet Bag is Empty	Allow Auger to Push Out Sawdust, Leaving Hopper Empty
<b>Electric Components</b>	Once A Year	Dust Out Interior, Wipe Fan Blades with Soapy Water
<b>Air Intake Vent</b>	Every 5-6 Smoke Sessions	Dust, Scrub Pad & Soapy Water
<b>Grill Probe</b>	Every 2-3 Smoke Sessions	Scrub Pad & Soapy Water

## USING WOOD PELLET FUEL

Clean-burning barbecue wood pellets generate about 8200 BTU's per pound with very little ash, a low moisture content (5-7%), and are carbon neutral.

Barbecue wood pellets are produced by pure raw material (sawdust) being pulverized with a hammer-mill, and the material is pushed through a die with pressure. As the pellet is forced through the die, it is cut, cooled, screened, vacuumed, and then bagged for consumer use. Check with your local dealer for flavors available in your area.

### **HICKORY BLEND**

Rich with a smoky bacon-like flavor. Highly recommended for roasts and smoking your favorite meats.

### **PECAN BLEND**

Smoky, bacon-like flavor. Similar to Hickory, but less strong.

### **MESQUITE BLEND**

Strong aroma with a tangy and spicy flavor. The perfect level of bold taste to compliment your Tex-Mex cuisine.

### **APPLE BLEND**

Smoky with a mild sweetness flavor. Highly recommended for baking and pork.

### **CHERRY BLEND**

Slightly sweet with a hint of tart. Gives your light meats a rosy tint that is incomparable in appearance and taste.

### **WHISKEY BARREL BLEND**

Sweet and smoky with an aromatic tang. A premium blend of oak, and perfect for all your red meats.

### **COMPETITION BLEND**

An ideal blend of sweet, savory and tart. A combination of maple, hickory and cherry – perfectly versatile for all your cooking needs. Used by many professional grillers.

**NOTE: Always store wood pellets in a dry area. Any contact or exposure to moisture will result in lower heat output or cause the pellets to swell and break apart. Use a moisture proof, resealable tub or bucket for proper storage.**

## COOKING GUIDELINES

Smoking and grilling styles of cooking can give you different results based on time and temperature. For best results, keep a record of what you cooked, at what temperature, how long you cooked for, and the results. Adjust to your taste for the next time. Practice makes perfect. The culinary art of hot smoking refers to longer cooking times, but results in more natural wood flavor (and a sought-after Pink Ring) on your meats. Higher temperatures result in a shorter cooking time, locking in less smoke flavor.

**TIP: For best results, allow time for meats to rest after cooking. This allows the natural juices to migrate back into the meat fiber, giving a much juicier, flavorful cut. Resting times can be as little as 3 minutes and up to 60 minutes, depending on the size of the protein.**

<b>COOKING STYLE</b>	<b>HOT SMOKING</b>	<b>ROAST</b>	<b>BAKING (Medium)</b>	<b>GRILL (Medium/High)</b>
<b>Temperature Range</b>	93-135°C / 200-275°F	135-162°C / 275-325°F	162-190°C / 325-375°F	204-215°C / 400-420°F

		<b>APPROXIMATE COOKING TIME</b>		
<b>BEEF</b>	<b>Size</b>	<b>Rare - 54°C / 130°F</b>	<b>Medium - 60°C / 140°F</b>	<b>Well Done - 65°C / 150°F</b>
<b>Rib-eye Roast, boneless</b>	2.26 - 2.72 kg / 5 - 6 lbs.		1½ - 2 hours	
<b>Rib Roast</b>	5.44 - 6.35 kg / 12 - 14 lbs.		2½ - 2¾ hours	
<b>Sausage (fresh)</b>	All sizes			4 - 5 hours
<b>Roast (bone-in)</b>	All sizes	4- 5 Hours		
<b>Ribs</b>	All sizes	Cook until meat pulls from the bone (approx 4 - 6 hours)		
<b>Brisket</b>	7.25 - 3.62 kg / 16 -18 lbs.	Cook until internal temperature reaches 91°C / 195°F		

<b>PORK</b>	<b>Size</b>	<b>Reheat - 60°C / 140°F</b>	<b>Medium - 66°C / 150°F</b>	<b>Well Done - 71°C / 160°F</b>
<b>Ham (cooked)</b>	All sizes	2 - 2¾ hours		
<b>Ham (fresh)</b>	4.53-5.44 kg / 10-12 lbs.			7 - 8 hours
<b>Sausage (fresh)</b>	All sizes			4 - 5 hours
<b>Loin Roast</b>	1.36-1.81 kg / 3 - 4 lbs.		1 - 2 hours	2 - 3 hours
<b>Rib Crown Roast</b>	1.81-2.26 kg / 4 - 5 lbs.		1½ - 2 hours	2 - 3 hours
<b>Boston Butt (Pork Shoulder)</b>	3.62-4.53 kg / 8-10 lbs.			93 - 98°C / 200 - 210°F Internal Temperature
<b>Ribs</b>	All sizes	Cook until meat pulls from the bone (approx 4 - 6 hours)		
<b>Chop (loin, rib)</b>	All sizes	Cook until meat pulls from the bone (approx 4 - 6 hours)		

<b>LAMB</b>	<b>Size</b>	<b>Rare - 54°C / 130°F</b>	<b>Medium - 60°C / 140°F</b>	<b>Well Done - 71°C / 160°F</b>
<b>Roast (fresh)</b>	2.26 - 2.72 kg / 5 - 6 lbs.		5 -6 Hours	

<b>POULTRY</b>	<b>Size</b>	<b>Rare - 54°C / 130°F</b>	<b>Medium - 60°C / 140°F</b>	<b>Well Done - 82°C / 180°F</b>
<b>Turkey (whole)</b>	4.53-5.44 kg / 10-12 lbs.			7 - 8 Hours
<b>Chicken (whole)</b>	All sizes			5 -6 Hours
<b>Drumsticks, Breasts</b>	All sizes			4 -5 Hours
<b>Small Game Birds</b>	All sizes			4 -5 Hours
<b>Duck</b>	1.36-2.26 kg / 3-5 lbs.			5 -6 Hours

<b>CHICKEN</b>	<b>Size</b>	<b>Rare - 54°C / 130°F</b>	<b>Medium - 60°C / 140°F</b>	<b>Well Done - 82°C / 180°F</b>
<b>Whole</b>	All sizes			5 -6 Hours
<b>Drumsticks, Breasts</b>	All sizes			4 -5 Hours

<b>FISH</b>	<b>Size</b>	<b>Rare - 54°C / 130°F</b>	<b>Medium - 60°C / 140°F</b>	<b>Well Done - 82°C / 180°F</b>
<b>Whole</b>	All sizes			2 -3 Hours, until flaky
<b>Filets</b>	All sizes			1 -2 Hours, until flaky

<b>WILD GAME</b>	<b>Size</b>	<b>Rare - 60°C / 140°F</b>	<b>Medium - 71°C / 160°F</b>	<b>Well Done - 77°C / 170°F</b>
<b>Roast (fresh)</b>	2.26 - 2.72 kg / 5 - 6 lbs.		5 -6 Hours	
<b>Large Cuts (fresh)</b>	3.62-4.53 kg / 8-10 lbs.			7 - 8 Hours

# TIPS & TECHNIQUES

Follow these helpful tips and techniques, passed on from Pit Boss® owners, our staff, and customers just like you, to become more familiar with your smoker:

## 1. *FOOD SAFETY*

- Keep everything in the kitchen and cooking area clean. Use different platters and utensils for the cooked meat than the ones you used to prepare or transport the raw meat out to the smoker. This will prevent cross contamination of bacteria. Each marinade or basting sauce should have its own utensil.
- Keep hot foods hot (above 60°C / 140°F), and keep cold foods cold (below 3°C / 37°F).
- A marinade should never be saved to use at a later time. If you are going to use it to serve with your meat, be sure to bring it to a boil before serving.
- Cooked foods should not be left out in the heat for more than an hour. Do not leave hot foods out of refrigeration for more than two hours.
- Defrost and marinade meats by refrigeration. Do not thaw meat at room temperature or on a counter top. Bacteria can grow and multiply rapidly in warm, moist foods. Wash hands thoroughly with hot, soapy water before starting any meal preparation and after handling fresh meat, fish and poultry.

## 2. *COOKING PREPARATION*

- Be prepared, or **Mise en Place**. This refers to preparing the cooking recipe, fuel, accessories, utensils, and all ingredients you require at your side before you start cooking. Also, read the entire recipe, start to finish, before lighting the smoker.
- A BBQ floor mat is very useful. Due to food handling accidents and cooking splatter, a BBQ floor mat would protect a deck, patio, or stone platform from the possibility of grease stains or accidental spills.

## 3. *SMOKING TIPS AND TECHNIQUES*

- To infuse more smoke flavor into your meats, cook longer and at lower temperatures (also known as **low and slow**). Meat will close its fibers after it reaches an internal temperature of 49°C / 120°F. Misting, or mopping, are great ways to keep meat from drying out.
- Always use a meat thermometer to determine the internal temperature of the foods you are cooking. Smoking foods with hardwood pellets will turn meats and poultry pink. The band of pink (after cooking) is referred to as a **smoke ring** and is highly prized by outdoor chefs.
- Sugar-based sauces are best applied near the end of cooking to prevent burning and flare-ups.
- Leave open space between the foods and the extremities of the smoke cabinet for proper heat flow. Food on a crowded smoker will require more cooking time.
- Use a set of long-handled tongs for turning meats, and a spatula for softer items like fish and cheese. Using a piercing utensil, such as a fork, will prick the meat and allow the juices to escape.
- Foods in deep casserole dishes will require more time to cook than a shallow baking pan.
- It's a good idea to put cooked food onto a heated platter, keeping the food warm. Red meats, such as tenderloins and roasts, benefit from resting for several minutes before serving. It allows the juices that were driven to the surface by heat to ease back to the center of the meat, adding more flavor.

# TROUBLESHOOTING

Proper cleaning, maintenance and the use of clean, dry, quality fuel will prevent common operational problems. When your Pit Boss® smoker is operating poorly, or on a less frequent basis, the following troubleshooting tips may be helpful. For FAQ, please visit [www.pitboss-grills.com](http://www.pitboss-grills.com). You may also contact your local Pit Boss® authorized dealer or contact Customer Service for assistance.

**WARNING: Always disconnect the electrical cord prior to opening the smoker for any inspection, cleaning, maintenance or service work. Ensure the smoker is completely cooled to avoid injury.**

Problem	Cause	SOLUTION
No Power Lights On The Control Board	Power Button	Press the Power Button. Try another attempt and hold for two seconds to verify connection.
	Not Connected To Power Source, GFCI Outlet Has Tripped	Ensure smoker is plugged into a working power source. Reset breaker. Ensure GFCI is a minimum 10 Amp service (see <b>Electric Wire Diagram</b> for access to electric components). Ensure all wire connections are firmly connected and dry.
	Fuse Blown On The Control Board	Remove cooking components from the main smoke cabinet. Turn the unit onto its side, and remove the screws on the rear side of the Control Board. Check the fuse for a broken wire or if the wire has turned black. If yes, manually replace with a new fuse.
	Faulty Control Board	Control Board needs to be replaced. Contact Customer Service for a replacement part.
Fire In Burn Pot Will Not Light	Auger Not Primed	Before the unit is used for the first time <u>or</u> anytime the hopper is completely emptied out, the auger must be primed to allow pellets to fill the burn pot. If not primed, the igniter will timeout before the pellets ignite. Follow <b>Hopper Priming Procedure</b> .
	Auger Motor Is Jammed	Remove cooking components from the main smoke cabinet. Press the Power Button to turn the unit on, turn Temperature Control Dial to SMOKE, and inspect the auger feed system. Visually confirm that the auger is dropping pellets into the burn pot. If not operating properly, call Customer Service for assistance or a replacement part.
	Igniter Failure	Remove cooking components from the main smoke cabinet. Press the Power Button to turn the unit on, turn Temperature Control Dial to SMOKE, and inspect the igniter. Visually confirm that the igniter is working by placing your hand above the burn pot and feeling for heat. Visually confirm that the igniter is protruding approximately 13mm / 0.5 inches in the burn pot. If not operating properly, follow <b>Manual Start-up Procedure</b> to continue use of smoker; however, call Customer Service for assistance or a replacement part.
Flashing Dots On LED Screen	The Igniter Is On	This is not an error that effects the unit. Used to show that the unit has power and is in Start-Up mode (igniter is on). The igniter will turn off after five minutes. Once the flashing dots disappear, the unit will begin to adjust to the desired temperature selected.
Flashing Temperature On LED Screen	Smoker Temperature Is Below 65°C /150°F	This is not an error that effects the unit; however, it is used to show that there is some risk that the fire could go out. Check hopper for sufficient fuel or if there is an obstruction in the feed system. Remove pellets and follow <b>Care and Maintenance</b> instructions. Check Grill Probe and follow <b>Care and Maintenance</b> instructions if dirty. Check burn pot for ash build-up or obstructions, and follow <b>Care and Maintenance</b> instructions for ash build-up. Check fan. Ensure it is working properly and air intake is not blocked. Follow <b>Care and Maintenance</b> instructions if dirty. Check auger motor to confirm operation (rotation), and ensure there is no blockage in the auger tube.
"ErH" Error Code	The Smoker Has Overheated, Possibly Due To Grease Fire Or Excess Fuel.	Press and hold the Power Button to turn the unit off, and allow smoker to cool. Follow <b>Care and Maintenance</b> instructions. After maintenance, remove pellets, and confirm positioning of all component parts. Once cooled, press the Power Button to turn the unit on, then select desired temperature. If error code still displayed, contact Customer Service.

"Er1" Error Code	Grill Probe Wire Not Making Connection	Access the electrical components on the base of the unit (see <b>Electric Wire Diagram</b> ) and check for any damage to the Grill Probe wires. Ensure Grill Probe spade connectors are firmly connected, and connected correctly, to the Control Board.
"noP" Error Code	Bad Connection At Connection Port	Disconnect meat probe from connection port on the Control Board, and reconnect. Ensure the meat probe adapter is firmly connected. Check for signs of damage to the adapter end. If still failed, call Customer Service for replacement part.
	Meat Probe Damaged	Check for signs of damage to the wires of the meat probe. If damaged, call Customer Service for replacement part.
	Faulty Control Board	Control Board needs to be replaced. Contact Customer Service for a replacement part.
Thermometer Shows Temperature When Unit Off	Smoker Has High Ambient Temperature Or Is In Direct Sun	This will not harm the smoker. The internal temperature of the main cabinet has ambiently reached or exceeded 54°C / 130°F. Move the smoker into a shaded area. Prop the cabinet door open to reduce the internal temperature.
Smoker Will Not Achieve Or Maintain Stable Temperature	Insufficient Air Flow Through Burn Pot	Check burn pot for ash build-up or obstructions. Follow <b>Care and Maintenance</b> instructions for ash build-up. Check fan. Ensure it is working properly and air intake is not blocked. Follow <b>Care and Maintenance</b> instructions if dirty. Check auger motor to confirm operation, and ensure there is no blockage in the auger tube. Once all the above steps have been done, start the smoker, set temperature to SMOKE and wait for 10 minutes. Check that the flame produced is bright and vibrant.
	Lack Of Fuel, Poor Fuel Quality, Obstruction In Feed System	Check hopper to check that fuel level is sufficient, and replenish if low. Should the quality of wood pellets be poor, or the length of the pellets too long, this may cause an obstruction in the feed system. Remove pellets and follow <b>Care and Maintenance</b> instructions.
	Grill Probe	Check status of Grill Probe. Follow <b>Care and Maintenance</b> instructions if dirty. Contact Customer Service for a replacement part if damaged.
Smoker Produces Excess Or Discolored Smoke	Grease Build-Up	Follow <b>Care and Maintenance</b> instructions.
	Wood Pellet Quality	Remove moist wood pellets from hopper. Follow <b>Care and Maintenance</b> instructions to clean out. Replace with dry wood pellets.
	Burn Pot Is Blocked	Clear burn pot of moist wood pellets. Follow <b>Hopper Priming Procedure</b> .
	Insufficient Air Intake For Fan	Check fan. Ensure it is working properly and air intake is not blocked. Follow <b>Care and Maintenance</b> instructions if dirty.
Frequent Flare-Ups	Cooking Temperature	Attempt cooking at a lower temperature. Grease does have a flash point. Keep the temperature under 176°C / 350°F when cooking highly greasy food.
	Grease Build-Up On Cooking Components	Follow <b>Care and Maintenance</b> instructions.

# ELECTRICAL WIRE DIAGRAM

The Control Board system is an intricate and valuable piece of technology. For protection from power surges and electrical shorts, consult the wire diagram below to ensure your power source is sufficient for the operation of the unit.

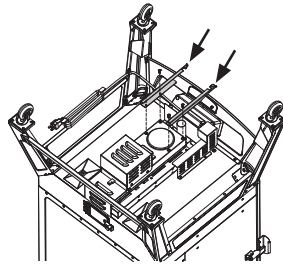
## PB – ELECTRIC REQUIREMENTS 110-120V, 60HZ, 250W, 3-PRONG GROUNDED PLUG

NOTE: Electrical components, passed by product safety testing and certification services, comply with a testing tolerance of ± 5-10 percent.

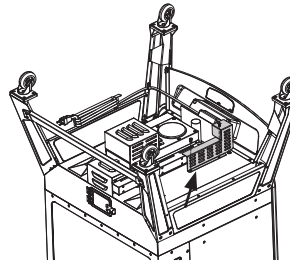
- 1** DISCONNECT POWER SUPPLY BEFORE SERVICE OR MAINTENANCE.



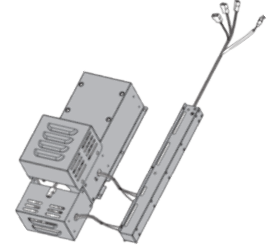
- 2** REMOVE TWO GREASE TRAY BRACKETS FROM UNDERSIDE OF UNIT.



- 3** REMOVE WIRE COMPONENTS HOUSING FROM UNDERSIDE OF UNIT.



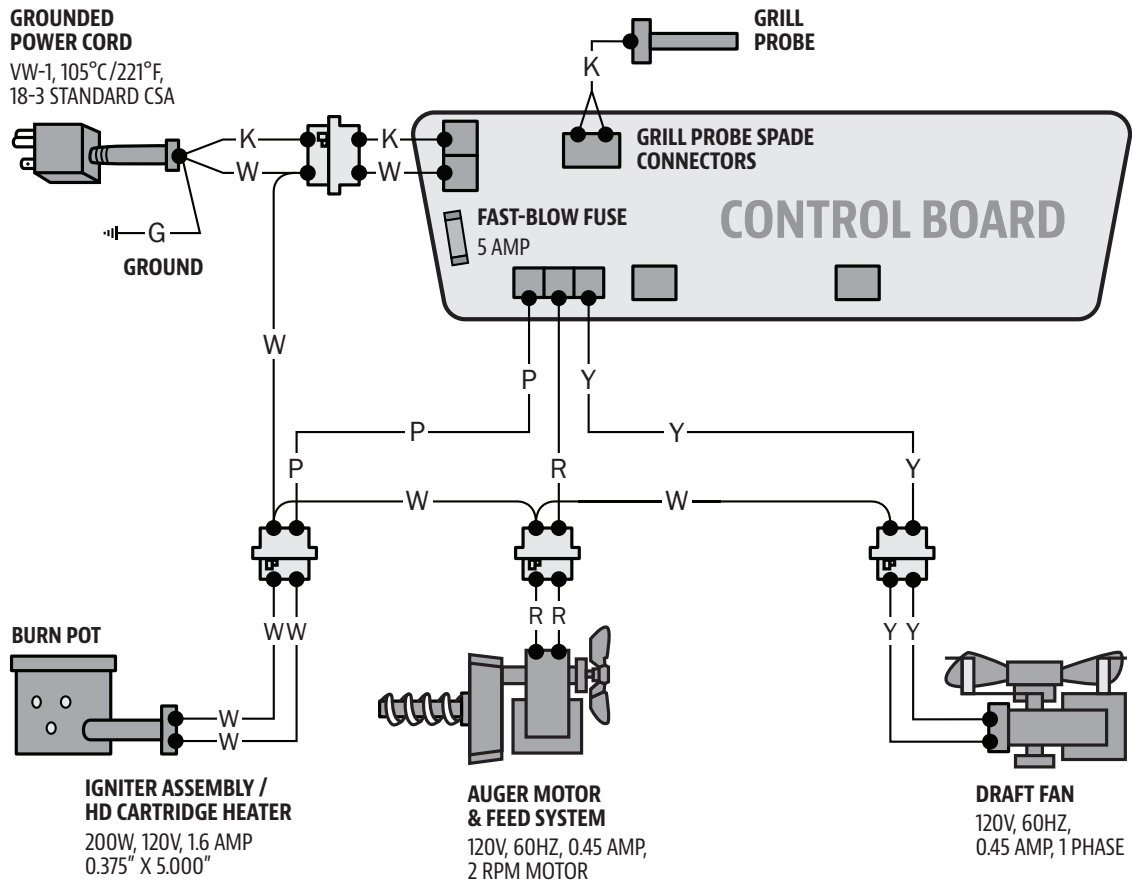
- 4** ACCESS WIRING COMPONENTS LOCATED IN GRILL PROBE HOUSING.



**FUEL INPUT RATING:**  
1.1 KG/H  
(2.4 LB/H)

### INDEX

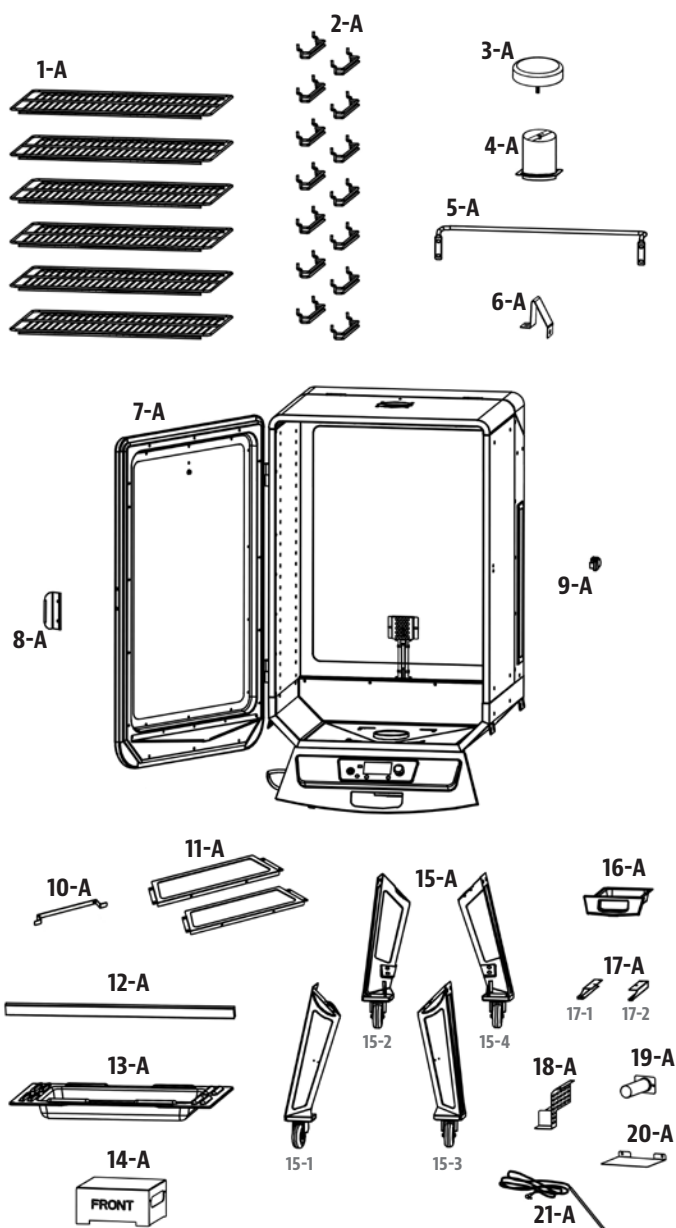
W : WHITE  
Y : YELLOW  
P : PURPLE  
R : RED  
K : BLACK  
S : SILVER



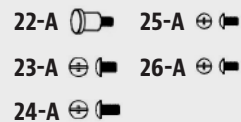
# REPLACEMENT PARTS

ENGLISH

Part#	Description
1-A	Cooking Grids (x6)
2-A	Cooking Grid Support Brackets (x14)
3-A	Chimney Cap (x1)
4-A	Chimney Stack (x1)
5-A	Hopper Handle (x1)
6-A	Lid Stopper (x1)
7-A	Main Cabinet (x1)
8-A	Cabinet Door Handle (x1)
9-A	Cabinet Door Latch (x1)
10-A	Power Cord Bracket (x1)
11-A	Support Panel (x2)
12-A	Support Bracket (x1)
13-A	Water Pan (x1)
14-A	Flame Tamer (x1)
15-A	Support Leg With Wheel (x4)
16-A	Grease Tray (x1)
17-A	Grease Tray Brackets (x2)
18-A	Wire Components Housing (x1)
19-A	Grease Exhaust Tube (x1)
20-A	Heat Shield (x1)
21-A	Meat Probe (x1)
22-A	Door Knob (x1)
23-A	1/4-20x1/2" Screw (x12)
24-A	1/4-20x5/8" Screw (x4)
25-A	#10-24x1/2" Screw (x34)
26-A	#10-24x1/3" Screw (x2)



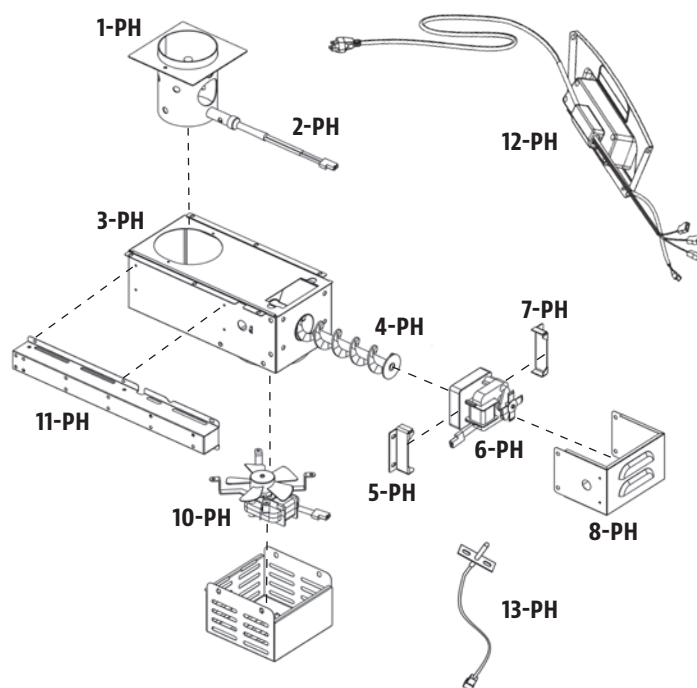
NOTE: Due to ongoing product development, parts are subject to change without notice.





# ELECTRICAL REPLACEMENT PARTS

Part#	Description
1-PH	Burn Pot (x1)
2-PH	Igniter (x1)
3-PH	Auger Box Housing (x1)
4-PH	Auger Flighting Assembly (x1)
5-PH	Auger Motor Left Bracket (x1)
6-PH	Auger Motor (x1)
7-PH	Auger Motor Right Bracket (x1)
8-PH	Auger Motor Housing (x1)
9-PH	Combustion Fan Housing (x1)
10-PH	Combustion Fan (x1)
11-PH	Grill Probe Housing (x1)
12-PH	Control Board (x1)
13-PH	Grill Grill Probe (x1)



ENGLISH

## WARRANTY

### CONDITIONS

All wood pellet smokers by Pit Boss®, manufactured by Dansons, carry a limited warranty from the date of sale by the original owner. The warranty coverage begins on the original date of purchase and proof of date of purchase, or copy of original bill of sale, is required to validate the warranty. Customers will be subject to parts, shipping, and handling fees if unable to provide proof of the purchase or after the warranty has expired.

Dansons carries a five (5) year warranty against defects and workmanship on all parts, and five (5) year on electrical components. Dansons warrants that all part(s) are free of defects in material and workmanship, for the length of use and ownership of the original purchaser. Warranty does not cover damage from wear and tear, such as scratches, dents, dings, chips or minor cosmetic cracks. These aesthetic changes of the smoker do not affect its performance. Repair or replacement of any part does not extend past the limited warranty beyond the five (5) year from date of purchase.

During the term of the warranty, Dansons' obligation shall be limited to furnishing a replacement for defective and/or failed components. As long as it is within the warranty period, Dansons' will not charge for repair or replacement for parts returned, freight prepaid, if the part(s) are found by Dansons' to be defective upon examination. Dansons' shall not be liable for transportation charges, labor costs, or export duties. Except as provided in these conditions of warranty, repair or replacement of parts in the manner and for the period of time mentioned heretofore shall constitute the fulfillment of all direct and derivate liabilities and obligations from Dansons to you.

Dansons takes every precaution to utilize materials that retard rust. Even with these safeguards, the protective coatings can be compromised by various substances and conditions beyond Dansons' control. High temperatures, excessive humidity, chlorine, industrial fumes, fertilizers, lawn pesticides and salt are some of the substances that can affect metal coatings. For these reasons, the warranty does not cover rust or oxidization, unless there is loss of structural integrity on the smoker component. Should any of the above occur, kindly refer to the care and maintenance section to prolong the lifespan of your unit. Dansons recommends the use of a cover when the smoker is not in use.

This warranty is based on normal domestic use and service of the smoker and neither limited warranty coverage's apply for a smoker which is used in commercial applications.

## EXCEPTIONS

There is no written or implied performance warranty on Pit Boss® smokers, as the manufacturer has no control over the installation, operation, cleaning, maintenance or the type of fuel burned. This warranty will not apply nor will Danson's assume responsibility if your appliance has not been installed, operated, cleaned and maintained in strict accordance with this owner's manual. Any use of gas not outlined in this manual may void the warranty. The warranty does not cover damage or breakage due to misuse, improper handling or modifications.

Neither Danson's, or authorized Pit Boss® dealer, accepts responsibility, legal or otherwise, for the incidental or consequential damage to the property or persons resulting from the use of this product. Whether a claim is made against Danson's based on the breach of this warranty or any other type of warranty expressed or implied by law, the manufacturer shall in no event be liable for any special, indirect, consequential or other damages of any nature whatsoever in excess of the original purchase of this product. All warranties by manufacturer are set forth herein and no claim shall be made against manufacturer on any warranty or representation.

Some states do not allow the exclusion or limitation of incidental or consequential damages, or limitations of implied warranties, so the limitations or exclusions set forth in this limited warranty may not apply to you. This limited warranty gives you specific legal rights and you may have other rights, which vary from state to state.

## ORDERING REPLACEMENT PARTS

To order replacement parts, please contact your local Pit Boss® dealer or visit our online store at: [www.pitboss-grills.com](http://www.pitboss-grills.com)

## CONTACT CUSTOMER SERVICE

If you have any questions or problems, contact Customer Service, Monday through Sunday, 4am - 8pm PST (EN/FR/ES).

**Service@pitboss-grills.com | Toll-Free: 1-877-303-3134 | Toll-Free Fax: 1-877-303-3135**

## WARRANTY SERVICE

Contact your nearest Pit Boss® dealer for repair or replacement parts. Danson's requires proof of purchase to establish a warranty claim; therefore, retain your original sales receipt or invoice for future reference. The serial and model number of your Pit Boss® can be found on the back of the unit. Record numbers below as the label may become worn or illegible.

---

MODEL

---

SERIAL NUMBER

---


DATE OF PURCHASE






---

AUTHORIZED DEALER

# ACCESSORIES SOLD SEPARATELY

Available for purchase separately. Accessories not available and supplied by all authorized Pit Boss® dealers.

ITEM	DESCRIPTION
	<b>COVER</b> Form-fitting, full length cover. Heavy-duty polyester with PVC backing for long-term use. Weatherproof. Includes draw-string lock for easy tightening.
	<b>BARBECUE FLOOR MAT</b> Easy clean, UV protected. Protection for your deck. 132cm x 86cm / 52" x 34"
	<b>3-PIECE TOOL SET</b> From preparation to presentation, you are covered with these barbecue basics. Dishwasher safe. Stainless steel.
	<b>ROCKING PIZZA CUTTER</b> Rock the blade side to side to cut, ensuring everything stays where it belongs. Hand wash. Stainless steel.
	<b>3-IN-1 BURGER PRESS</b> Craft exquisite classic burgers and sliders, or go all out and build mouth-watering stuffed creations. Dishwasher safe. Plastic.
	<b>BACON RACK</b> Grease troughs catch all of the bacon grease, preventing flare ups and ensuring perfectly cooked bacon every time. Dishwasher safe. Non-stick coating.
	<b>DEFROSTING TRAY</b> Speed up the thawing process without the use of a microwave. Thaw your food in half the time using the cast aluminum makeup of the tray. Hand wash. Cast aluminum.

ITEM	DESCRIPTION
	<b>GRILLING APRON</b> Adjustable apron with double front pockets for grilling tools. One size. Machine washable.
	<b>GRILL GLOVE</b> Handle cast iron pots and pans without hesitation. Withstands extreme temperature of up to 475°F (246 °C).
	<b>SIGNATURE SAUCES</b> A collection of gourmet sauces to use as glaze, dip, or condiments to the natural flavors of your food.
	<b>SIGNATURE SPICES</b> A collection of gourmet seasonings to prepare and enhance the natural flavors of your food.
	<b>MEAT PROBE</b> When connected, the temperature of food is displayed by the control board.
	<b>LED FLEXIBLE GRILL LIGHT</b> Featuring 9 LED bulbs, a clamp on design, and a 12" bendable neck that allows you to adjust for maximum visibility. 3x AAA batteries required. Batteries not included

ENGLISH

# RECIPES

## **SMOKED HALIBUT**

*Makes 4 Servings*

*Suggested Wood Pellet Flavor: Hickory / Cherry / Mesquite*

### **Ingredients:**

900g / 2 lbs Halibut Filets  
125 ml / ½ c. Butter  
15 ml / 1 tbsp Fresh Dill

### **Instructions:**

1. Wash filet thoroughly in cold water and lay on paper towel until water is not visible.
2. Melt a whole stick of butter and sprinkle a liberal amount of fresh dill in the melted butter. Lay filets on aluminum foil and fold a lip around edges to contain the butter. With a basting brush, brush melted butter and dill mixture on both sides of the fish filet.
3. **Preheat smoker, then adjust to 107°C / 225°F.**
4. Place fish in the smoker. Check the filets every 15 minutes for visible moist look on filets. Brush with butter and dill mix when needed. Fish should start to flake in about 45 minutes.
5. When fish flakes very easily, take out of smoker and serve.

## **SMOKED CORNISH HENS**

*Makes 4 Servings*

*Suggested Wood Pellet Flavor: Mesquite / Hickory / Competition*

### **Ingredients:**

4 whole Cornish Game Hens  
750 ml / 3 c. Mandarin Rice  
15 ml / 1 tbsp Olive Oil  
5 ml / 1 tsp Smoked Paprika  
250 ml / 1 c. Orange Marmalade

### **Instructions:**

1. **Preheat smoker, then adjust to 135-177°C / 275-350°F.**
2. Rinse Cornish hens and pat dry with paper towel. Brush Cornish hens lightly with olive oil, and sprinkle with paprika.
3. Place Cornish hens in smoker. Smoke for 45 to 60 minutes, until the drumstick meat is tender when pressed.
4. Baste with orange marmalade during last 20 minutes of cooking time. Remove from smoker and arrange on serving platter.

### **How-to make: CHICKEN GRAVY**

If you want to catch the drippings to make gravy, place the turkey on a rack inside a large aluminum foil roast pan. Add 0.6 cm / ¼" of water or broth and some seasoning into the bottom of the pan. Monitor the juices, as you may need to add more during the cooking period.

## **SMOKED BEEF BRISKET**

*Makes 4 - 6 Servings*

*Suggested Wood Pellet Flavor: Hickory / Competition*

A whole beef brisket weighs 7.25-3.62 kg / 16-18 pounds and has three separate parts: the cap, the point, and the flat. Use the flat section, as it is lean, compact, and creates nice slices when carved.

### **Ingredients:**

1 Beef Brisket  
2.2-3.6 kg / 5-8 lbs,  
Layer of fat is at least 0.6 cm / ¼" thick  
1 bottle Prepared Yellow Mustard  
75 ml / 5 tbsp Seasoning  
1 bottle Chili Sauce  
1 pack Dry Onion Soup Mix  
375 ml / 1 ½ c. Beef Broth  
40 ml / 8 tsp Black Pepper

### **Instructions:**

1. Lay out a large piece of plastic wrap on your working station. Large enough to encase the brisket. Using a sharp knife, cut a single cut on the underside of the brisket against the grain. This will aid in slicing the finished brisket, against the grain which results in a tender, melt-in-your-mouth cut. The underside is the non-fat cap side. Slather on a generous amount of prepared mustard. Rub lightly onto the entire area. Sprinkle a generous amount of seasoning onto the mustard, then again light rub into the meat. Flip the brisket over and repeat the process. Wrap the prepared brisket in the plastic wrap and refrigerate 2 to 4 hours, or overnight.
2. Prepare the basting mixture. Mix the chili sauce, dry onion soup mix, beef broth, and black pepper. Set aside.
3. **Preheat smoker, then reduce to 82-107°C / 180-225°F.**
4. Place the brisket, fat side up, in the center of the smoker. Close the cabinet door. Hot smoke until tender, about 10 to 12 hours. Baste the brisket with the basting mixture every half hour for the first 3 hours.
5. Continue the slow smoking process until the internal temperature reaches 60-66°C / 140-150°F. Remove from smoker. **Turn smoker up to 176°C / 350°F.**
6. Place the brisket into a pouch of double-layered aluminum foil. Pour 50 ml / ¼ cup of basting mixture over the brisket in the pouch. Close the pouch shut.
7. Lay foil pouch carefully on the smoker. Steam for 1 to 1 ½ hours.
8. Open the pouch, and use a meat thermometer; internal temperature should reach 91°C / 195°F. The brisket should be firm but be able to pull the meat apart with your fingers.
9. Transfer the meat to a cutting board, and let it rest for 10 minutes. Thinly slice across the grain to serve.

## SMOKED PRIME RIB ROAST

Makes 6 - 8 Servings

Suggested Wood Pellet Flavor: Hickory / Pecan / Competition

### Ingredients:

2 lbs	Beef Prime Rib Roast
	<small>0.9 kg / 2 lbs</small>
10 cloves	Garlic (minced)
45 ml / 2 tbsp	Seasoning
10 ml / 2 tsp	Salt
10 ml / 2 tsp	Pepper

### Instructions:

1. Preheat smoker, then adjust to 135°C / 275°F.
2. With the fat-side of the meat facing up, tie one end of string or twine firmly around one side of the roast. Continue to loop and tie the rest of the roast, making an attractive presentation.
3. Thoroughly wash the roast and pat dry with paper towel.
4. Liberally, season the entire roast with garlic, salt, pepper, and seasoning. Let the roast sit for 10 minutes so seasoning adheres.
5. Place roast in smoker. Smoke for 45 to 60 minutes, until the internal temperature has reached 51°C / 125°F. Use a meat probe to best monitor the middle of the roast.
6. Carefully, remove roast from smoker and cover with foil. The meat will continue to rise by another 3°C / 5°F to a final product of 54°C / 125°F to a perfect medium rare. Let the meat rest for 10 minutes before slicing.

## SMOKED RIBS

Makes 4 - 6 Servings

Suggested Wood Pellet Flavor: Hickory / Apple / Competition

### Ingredients:

1.3-1.8 kg / 3-4 lbs	Ribs
	<small>Meaty pork spare ribs / loin back ribs</small>
5 ml / 1 tsp	Salt
5 ml / 1 tsp	Pepper

### Instructions:

1. Preheat smoker, then reduce to 82-107°C / 180-225°F.
2. Take ribs out of wrapper and drain all liquid off of the ribs and then wash in cold water.
3. Place on cutting board and cut away any excess fat or skin from the bottom of ribs. Turn ribs with bone side up. Prepare ribs by peeling off the tough layer of skin (membrane) on the back side. Season the ribs with salt and pepper, to taste.
4. Place rib bone side down in smoker.
5. After one hour, turn the rib over with bone side up and cook for one hour. After 2 1/2 hours, depending on the color of the rib you like, pour a one inch wide strip of your favorite BBQ sauce down the length of the rib and wrap tightly in aluminum foil. Place back in smoker and check every 15 to 20 minutes to see if the rib bones separate by using your finger to pull them apart. If they

pull apart with ease your ribs are done; internal temperature of your ribs should be at 170°F.

6. Take out of smoker and let stand on serving platter until cool enough to eat.

### Variation: MEMPHIS-DRY METHOD

Turn smoker up to maximum temperature (204°C / 400°F). Place ribs back on the smoker and season with a dry seasoning or rub for 5-8 minutes. Remove from smoker and serve.

## SMOKED STUFFED PORK TENDERLOIN

Makes 4 - 8 Servings

Suggested Wood Pellet Flavor: Apple / Hickory / Cherry

### Ingredients:

1 whole	Pork Tenderloin
	<small>3.6 kg / 8 lbs</small>
1 jar	Salsa
15 ml / 1 tbsp	Chili Powder
15 ml / 1 tbsp	Brown Sugar
5 ml / 1 tsp	Smoked Paprika
45 ml / 3 tbsp	Honey (warmed)
Pinch	Ground Cinnamon

### Instructions:

1. Preheat smoker, then adjust to 107-135°C / 225-275°F.
2. Remove the pork tenderloin from packaging, rinse with cold water and pat the exterior dry with paper towel.
3. Place a piece of plastic wrap on a cutting board, then place the pork tenderloin on top and cut the meat  $\frac{3}{4}$  of the way through. Open the pork loin so it lays flat, and place a second piece of plastic wrap on top. Use a meat tenderizer or rolling pin to pound the meat until flattened.
4. Arrange salsa down center of pork tenderloin. Fold in the sides and roll-up the pork tenderloin (like a cinnamon bun) carefully to distribute salsa evenly. Using twine, tie the pork tenderloin at both ends and the middle to secure.
5. In a bowl, combine the chili powder, brown sugar, smoked paprika, and ground cinnamon. Mix well. Brush the pork tenderloin with the warmed honey. Sprinkle the mixture over the entire tenderloin.
6. When the pork is fully coated, place inside the smoker. Smoke the tenderloin for 2 1/2 to 3 hours, or until the internal temperature of pork has reached 62°C / 145°F.
7. Take out of smoker, slice and serve immediately.

## SMOKED CHICKEN

Makes 2 - 6 Servings

Suggested Wood Pellet Flavor: Hickory / Apple / Competition

### Ingredients:

1 whole Chicken  
1.8-2.7 kg / 4-6 lbs

45 ml / 3 tbsp Seasoning or Rub

### Instructions:

1. Preheat smoker, then adjust to 107-135°C / 225-275°F.
2. Take chicken parts out of package and wash thoroughly and place on paper towel to dry.
3. Sprinkle seasoning or rub on both sides of chicken parts.
4. Place chicken in smoker, breast side up. After 30 minutes, turn chicken over. With your meat probe, check the internal temperature by pushing Grill Probe into the meat nearest the bone. When internal temperature reaches 82°C / 180°F, the chicken is done.

**TIP: You may brush your favorite BBQ sauce on the chicken during the last 15 minutes of your cooking process to heat it up.**

5. Using tongs, carefully remove the chicken from the smoker. Let rest for five minutes. Carve chicken and serve.

### Variation: FLAVORED MARINADE IN WATER PAN

Use the same instructions as above, but substitute half the water in the water pan with a can of your favorite non-diet cola, fruit juice, or water with additional seasoning.

## SMOKED SAUSAGE WITH MANGO CHUTNEY

Makes 4 - 6 Servings

Suggested Wood Pellet Flavor: Hickory / Apple / Competition

### Ingredients:

0.9 kg / 2 lbs Italian Sausage (hot or mild)

2 whole Mangoes (finely chopped)

10 ml / 2 tsp Fresh Parsley (minced)

15 ml / 1 tbsp Red Pepper (diced)

10 ml / 2 tsp Honey

½ Red Onion (diced)

½ bulb Fennel (diced)

5 ml / 1 tsp Lime Juice

Pinch Salt

### Instructions:

1. Preheat smoker, then reduce to 82-107°C / 180-225°F.
2. Place sausages on cooking grids, spaced evenly apart. Smoke for 25-30 minutes until cooked.
3. Combine all remaining ingredients to make the chutney. Chill until ready to serve.
4. Remove sausages from smoker. Slice sausage diagonally, then serve with side of chutney.

## WHOLE SMOKED TURKEY

Feeds a small army - leftovers are great!

Suggested Wood Pellet Flavor: Hickory / Cherry / Competition

### Ingredients:

1 whole Turkey (thawed)  
9-11.3 kg / 20-25 lbs

60 ml / 4 tbsp Seasoning or Rub

5 ml / 1 tsp Smoked Paprika

45 ml / 3 tbsp Butter

### Instructions:

1. Preheat smoker, then adjust to 135-177°C / 275-350°F.
2. Remove the turkey neck and giblets. Rinse turkey thoroughly and pat the exterior dry with paper towel.
3. In a small bowl, mix butter, ¼ of the seasoning and paprika together to form a paste. Gently insert your hand between the outer skin and the breast meat. Rub paste into the meat.
4. With the remaining seasoning, rub the outer surface of the turkey.
5. Place turkey, breast side up, in center of smoker, and smoke until turkey is tender and golden brown; internal temperature should reach 82°C / 180°F in the thickest part of the thigh and 77°C / 170°F in the breast.
6. Remove turkey, cover with foil and let rest for 10 minutes before carving.

### How-to make: TURKEY GRAVY

If you want to catch the drippings to make gravy, place the turkey on a rack inside a large aluminum foil roast pan. Add 0.6 cm / ¼" of water or broth and some seasoning into the bottom of the pan. Monitor the juices, as you may need to add more during the cooking period.



# INFORMATIONS DE SÉCURITÉ

**LES CAUSES MAJEURES DES INCENDIES D'APPAREILS SONT LE RÉSULTAT D'UN MAUVAIS ENTRETIEN ET D'UN DÉFAUT DE MAINTENIR LE DÉGAGEMENT REQUIS POUR LES MATÉRIAUX COMBUSTIBLES. IL EST D'UNE IMPORTANCE CRUCIALE QUE CE PRODUIT SOIT UTILISÉ SEULEMENT CONFORMÉMENT AUX INSTRUCTIONS SUIVANTES.**

Veillez lire et comprendre ce manuel avant d'assembler, d'utiliser ou d'installer le produit. Cela vous assurera de profiter au mieux et sans soucis de votre nouveau grill à granulés de bois. Nous vous conseillons également de conserver ce manuel pour référence ultérieure.

## DANGERS ET AVERTISSEMENTS

**Vous devez communiquer avec votre municipalité, vos autorités locales en matière de feu ou de construction ou toute autre autorité compétente afin d'obtenir les permis nécessaires, la permission ou des renseignements sur toutes les restrictions d'installation, y compris ceux relatifs à l'installation d'un grill sur une surface combustible, aux règles d'inspection ou encore aux permis d'utilisation dans votre région.**

1. Un dégagement minimum de 305 mm (12 pouces) des constructions combustibles sur les côtés du fumeur et 305 mm (12 pouces) de l'arrière du fumeur aux constructions combustibles doit être maintenu. **Ne pas installer l'appareil sur des planchers combustibles ou des planchers protégés par des surfaces combustibles à moins que des permis et autorisations adéquates n'aient été obtenues par les autorités compétentes.** Ne pas utiliser cet appareil à l'intérieur d'un espace clos et non ventilé, à l'intérieur d'une maison, d'un véhicule, d'une tente ou d'un garage. Cet appareil à granulés de bois ne doit pas être placé sous un plafond ou un surplomb combustible. Gardez votre fumeur dans une zone dégagée et exempte de matières combustibles, d'essence et d'autres vapeurs et liquides inflammables

**En cas d'incendie de graisse, éteignez le fumeur et laissez le couvercle fermé jusqu'à ce que le feu soit éteint. Ne pas débrancher la fiche d'alimentation. Ne pas jeter d'eau dessus. Ne pas essayer d'étouffer le feu. L'utilisation d'un extincteur approuvé toutes classes (classe ABC) est précieuse à conserver sur place. Si un incendie non contrôlé se produit, appelez les pompiers.**

2. Gardez les cordons d'alimentation électrique et le tuyau d'alimentation en carburant loin des surfaces chauffées. NE PAS utiliser votre grill sous la pluie ou autour d'une source d'eau.
3. Après une période de stockage ou de non-utilisation, vérifiez qu'il n'y a ni obstruction de la grille ni blocage de l'air au niveau de la trémie. Nettoyer avant utilisation. **Si le fumeur est stocké à l'extérieur pendant la saison des pluies ou les saisons à forte humidité, toutes les précautions doivent être prises pour que de l'eau ne pénètre pas dans la trémie.** Lorsqu'elles sont mouillées ou exposées à une humidité élevée, les granulés de bois se dilatent considérablement, se décomposent et peuvent obstruer le système d'alimentation. Vous devez toujours débrancher le fumeur avant d'effectuer tout service ou entretien.

**Ne portez pas votre fumeur quand il est utilisé ou chaud. Assurez-vous que le feu est complètement éteint et que le fumeur est complètement refroidi avant de déménager.**

4. Il est recommandé d'utiliser des gants de barbecue résistants à la chaleur ou des gants lors de l'utilisation du fumeur. N'utilisez PAS d'accessoires qui ne sont pas conçus pour être utilisés avec cet appareil. NE placez PAS de couvercle de barbecue ou autre matière inflammable dans l'espace de stockage situé sous le barbecue.
5. Pour éviter toute blessure ou endommagement de la vis d'alimentation, l'appareil comporte un écran de sécurité de la trémie métallique. Cet écran NE DOIT PAS être retiré sauf indication contraire du service à la clientèle ou d'un fournisseur de service autorisé.

**Cet appareil n'est pas conçu pour être utilisé par des enfants, des personnes à capacités physiques, sensorielles ou intellectuelles réduites ou sans expérience ni connaissances, à moins qu'elles soient surveillées directement par une personne responsable de leur sécurité.**



6. Certaines parties du fumeur peuvent être très chaudes et entraîner des blessures graves. Tenir hors de portée des jeunes enfants et des animaux domestiques lors de l'utilisation.
7. Ne pas élargir les orifices de la grille de combustion, des trous de l'allumeur ou des pots de combustion. Le non-respect de cet avertissement pourrait entraîner un risque d'incendie et des dommages corporels et annulera votre garantie.
8. Le produit peut avoir des bords ou des points pointus. Le contact peut entraîner des blessures. Manipuler avec soin.

## ÉLIMINATION DES CENDRES

Les cendres devraient être déposées dans un contenant métallique avec couvercle hermétique. Le contenant fermé de cendres devrait être placé sur un plancher non combustible ou sur le sol, loin de toute matière combustible en attendant leur élimination définitive. Lorsque les cendres sont disposées par enterrement dans le sol, ou dispersées localement, elles doivent être conservées dans un récipient fermé jusqu'à ce que toutes les cendres aient été complètement refroidies.

## COMBUSTIBLE GRANULES DE BOIS

Cet appareil de cuisson à granules est conçu et approuvé uniquement pour le bois aggloméré, entièrement naturel. Tout autre type de consommation de carburant dans cet appareil annulera la garantie et la norme de sécurité. Vous devez uniquement utiliser les pastilles de bois naturelles, conçues pour brûler dans les grils de bbq à pastilles. Ne pas utiliser de carburant avec des additifs. Les granulés de bois sont très sensibles à l'humidité et doivent toujours être stockés au sein d'un récipient hermétique. Si vous stockez votre gril, sans l'utiliser, pendant une période prolongée, nous vous recommandons de retirer tous les granulés de la trémie et de la vis sans fin de votre gril, afin d'éviter les bourrages. Le pouvoir calorifique moyen des granulés se situe entre 5,17 et 5,67 kWh/kg, avec un taux de cendre < 1 %.

**N'utilisez pas de pierre de lave, de morceaux de bois, de charbon de bois, d'alcool, d'essence, d'essence, de briquet ou de kérosène pour allumer ou refroidir un feu sur votre fumeur.**

Au moment de l'impression de ce manuel, il n'y a pas de norme industrielle pour les granulés de bois de barbecue, bien que la plupart des usines de granulés utilisent les mêmes normes pour fabriquer des granulés de bois à usage domestique. Vous trouverez plus d'informations sur [www.pelletheat.org](http://www.pelletheat.org) ou sur *Pellet Fuel Institute*.

Contactez votre revendeur local au sujet de la qualité des granulés dans votre région et pour des informations sur la qualité de la marque. Comme il n'y a pas de contrôle sur la qualité des pastilles utilisées, nous n'assumons aucune responsabilité à l'égard des dommages causés par une mauvaise qualité du carburant.

## CRÉOSOTE

La créosote, ou la suie, est une substance semblable à celle du goudron. Lors de la combustion, il produit de la fumée noire avec un résidu qui est également de couleur noire. La suie ou la créosote est formée lorsque l'appareil fonctionne incorrectement, par exemple: position incorrecte de la grille de combustion, blocage du ventilateur de combustion, défaut de nettoyage et entretien de la zone de combustion ou mauvaise combustion air-carburant.

Il est dangereux de faire fonctionner cet appareil si la flamme devient sombre, de suie, ou si le pot de combustion est trop rempli de granulés. Lorsqu'elle est enflammée, cette accumulation de créosote produit un feu extrêmement vif et non maîtrisé, similaire à un feu de graisse. Dans ce cas, éteignez l'appareil, laissez-le refroidir complètement, puis inspectez-le pour l'entretien et le nettoyage. Il s'accumule généralement le long des zones d'échappement.

Si de la créosote s'est accumulée dans l'unité, laissez l'unité se réchauffer à basse température, éteignez l'appareil, puis essayez toute formation à l'aide d'une serviette à main. À l'instar du goudron, il est beaucoup plus facile de nettoyer au chaud, car il devient liquide.

## LE MONOXYDE DE CARBONE (« LE TUEUR SILENCIEUX »)

Le monoxyde de carbone est un gaz incolore, inodore et sans goût produit par la combustion des gaz, du bois, du propane, du charbon ou d'autres combustibles. Le monoxyde de carbone réduit la capacité du sang à transporter l'oxygène. Les faibles niveaux d'oxygène sanguin peuvent entraîner des maux de tête, des étourdissements, des faiblesses, des nausées, des vomissements, de la somnolence, de la confusion, de la perte de conscience ou la mort. Suivez les directives suivantes pour empêcher ce gaz incolore et inodore de vous empoisonner ainsi que votre famille et les autres :

- Consultez un médecin si vous ou les autres développez des symptômes similaires à un rhume ou la grippe quand vous cuisinez ou quand vous vous trouvez à proximité de l'appareil. L'empoisonnement au monoxyde de carbone, qui peut facilement être confondu avec le rhume ou la grippe, est souvent détecté trop tard.
- La consommation d'alcool et de drogues augment les effets de l'empoisonnement au monoxyde de carbone.

Le monoxyde de carbone est particulièrement toxique pour la mère et l'enfant pendant la grossesse, pour les nourrissons, les personnes âgées, les fumeurs et les personnes souffrant de problèmes de circulation sanguine ou du système circulatoire, tels que l'anémie ou les maladies cardiaques.

## LISTE DE SÉCURITÉ

Conformément aux procédures et spécifications homologuées dans UL SUBJECT 2728-2009 « Appareils de cuisson à combustible à granulés » et ULC/ORD-C2728 « pour les caractéristiques électriques d'équipement de combustion de carburant ». Les appareils de cuisson à granulés de Pit Boss® ont été testés indépendamment et classés par Intertek (un laboratoire d'essai accrédité) aux normes ETL, UL, ULC et CSA.



### AVIS SUR LES DROITS D'AUTEUR

Droit d'auteur 2021. Tous droits réservés. Nulle partie de ce manuel ne peut être reproduite, transmises, transcrite ou stockée dans un système de recherche de quelque façon que ce soit sans l'autorisation préalable écrite de,

#### Dansons

3411 North 5th Avenue, Suite 500, Phoenix, AZ, É.-U. 85013  
 sales@pitboss-grills.com | service@pitboss-grills.com  
[www.pitboss-grills.com](http://www.pitboss-grills.com)

#### Service à la clientèle

Du lundi au samedi, de 4 H à 20 H HP (AN/FR/ES)

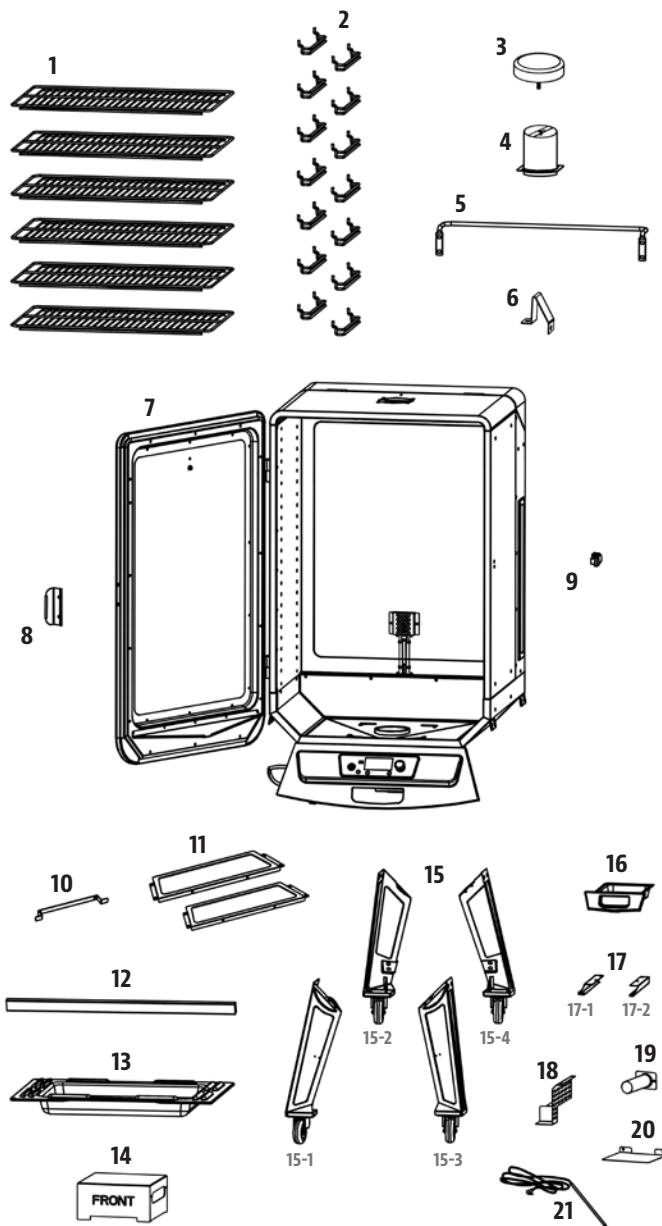
**Ligne sans frais: 1-877-303-3134, télécopie: 1-877-303-3135**

# TABLE DES MATIÈRES

Informations de sécurité .....	32	Entretien et maintenance .....	48
Pièces et spécifications .....	36	Utilisation du combustible en granulés de bois .....	50
Préparation de l'assemblage .....	37	Lignes directrices pour la cuisine .....	50
Instructions d'assemblage		Conseils et techniques .....	52
Montage des pieds de support sur l'armoire principale .....	37	Dépannage .....	53
Fixer correctement le panneau de commande aux pieds de support .....	37	Diagramme de fil électrique .....	55
Montage des panneaux de support .....	38	Pièces de rechange	
Fixation de la barre d'appui .....	38	Pièces de rechange du fumoir .....	56
Montage du tube d'évacuation des graisses .....	38	Pièces de rechange électriques .....	57
Attacher l'écran thermique .....	38	Garantie	
Montage du support du cordon d'alimentation .....	39	Conditions .....	57
Fixer les supports du plateau à graisse .....	39	Exceptions .....	58
Placer le plateau à graisse .....	39	Commande de pièces de remplacement .....	58
Fixer le bouton de la porte de nettoyage de la trémie .....	40	Appelez le service à la clientèle .....	58
Montage de la poignée arrière .....	40	Service de garantie .....	58
Sécurisation de la cheminée .....	40	Accessoires vendus séparément .....	59
Montage du bouchon du couvercle .....	40	Recettes .....	60
Fixation de la poignée et du loquet de la porte d'armoire .....	41		
Installation des composants de cuisson .....	41		
Connexion à une source d'alimentation .....	42		
Instructions d'utilisation			
Environnement du fumoir .....	42		
Gammes de température du fumoir .....	43		
Comprendre le tableau de contrôle .....	44		
Comprendre les sondes .....	45		
Procédure d'amorçage de la trémie .....	45		
Première utilisation – surchauffer le fumoir .....	46		
Procédure de démarrage automatique .....	46		
Procédure de démarrage manuelle .....	47		
Éteindre votre fumoir .....	47		

# PIÈCES ET SPÉCIFICATIONS

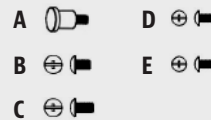
No.	Description
1	Grilles de cuisson (x6)
2	Supports de la grille de cuisson (x14)
3	Capuchon de cheminée (x1)
4	Sortie de la cheminée (x1)
5	Poignée arrière (x1)
6	Bouchon du couvercle (x1)
7	Armoire principale (x1)
8	Poignée de porte d'armoire (x1)
9	Loquet de porte d'armoire (x1)
10	Support de cordon d'alimentation (x1)
11	Panneaux de support (x2)
12	Barre d'appui (x1)
13	Réservoir d'eau (x1)
14	Réducteur de flamme (x1)
15	Pied de support avec roue (x4)
16	Plateau à graisse (x1)
17	Supports du plateau à graisse (x2)
18	Boîtier des câbles (x1)
19	Tube d'évacuation des graisses (x1)
20	Écran thermique (x1)
21	La sonde thermique (x1)
A	Bouton de porte (x1)
B	Vis $\frac{1}{4}$ -20x $\frac{1}{2}$ po en acier inoxydable (x12)
C	Vis $\frac{1}{4}$ -20x $\frac{5}{8}$ en acier inoxydable (x4)
D	Vis #10-24x $\frac{1}{2}$ " (x34)
E	Vis #10-24x $\frac{1}{3}$ po (x2)



REMARQUE : En raison du développement continu du produit, les pièces peuvent être modifiées sans préavis. Contactez le service clientèle si des pièces manquent lors de l'assemblage de l'appareil.

## EXIGENCES ÉLECTRIQUES PB

110-120V, 60HZ, 250W, FICHE À 3 BROCHES AVEC MISE À LA TERRE



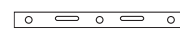
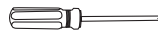
MODÈLE	APPAREIL ASSEMBLÉE (WxHxD)	POIDS DE APPAREIL	SURFACE DE CUISSON	PLAGE DE TEMPÉRATURE	CARACTÉRISTIQUES NUMÉRIQUES
PB PBV7P1	734 x 1 468 x 709 mm / 28,8 x 57,8 x 27,9 po	64,3 kg / 141,09 lb	Cuisine cubique: 0,16 m <sup>3</sup> / 5,6 pi <sup>3</sup> TOTAL - 11,715 cm <sup>2</sup> / 1,815 po <sup>2</sup>	65-215 °C / 150-420 °F	Dix réglages de température, cycles de démarrage et de refroidissement, allumeur électrique

# ASSEMBLY PREPARATION

Les pièces se trouvent dans l'emballage, y compris sous le fumeur. Inspectez l'appareil, les pièces et l'emballage de l'équipement après avoir retiré l'emballage de protection en carton. Jeter tout le matériel d'emballage à l'intérieur et à l'extérieur du fumeur avant l'assemblage, puis inspecter et inspecter toutes les pièces en se référant à la liste de pièces. En cas de pièce manquante ou endommagée, n'essayez pas de l'assembler. Les dommages pendant le transport ne sont pas couverts par la garantie. Contactez votre revendeur ou le service clientèle Pit Boss® pour les pièces: du lundi au samedi, de 4 h à 20 h HP (AN / FR / ES).

**IMPORTANT : Pour faciliter l'installation, être deux personnes est utile (mais pas nécessaire) lors de l'assemblage de cet appareil.**

Outils nécessaires pour l'assemblage : tournevis et niveau d'eau. *Outils non inclus.*



## INSTRUCTIONS D'ASSEMBLAGE

**REMARQUE :** Pour toutes les étapes suivantes, ne pas serrer complètement les vis jusqu'à ce que toutes les vis de cette étape aient été installées.

### 1. MONTAGE DES PIEDS DE SUPPORT SUR L'ARMOIRE PRINCIPALE

Pièces nécessaires :

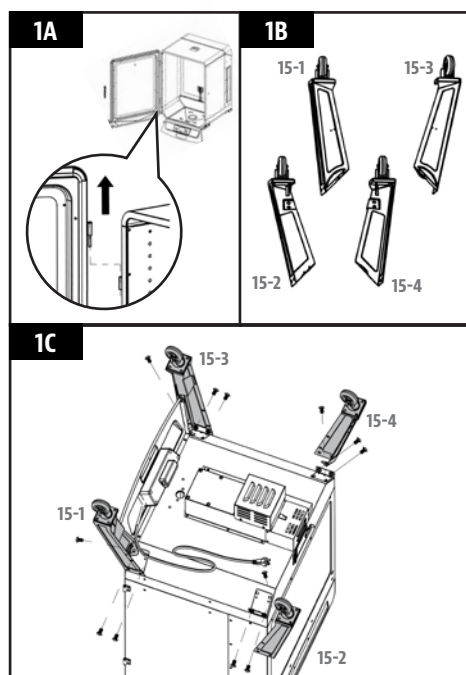
- 1 x Armoire principale (#7)
- 4 x Pied de support avec roue (#15)
- 12 x Vis  $\frac{1}{4}$ -20x $\frac{1}{2}$  po en acier inoxydable (#B)

Installation:

- Placez un morceau de carton sur le sol pour éviter de rayer l'unité et les pièces lors de l'assemblage. D'abord, soulevez la porte de l'armoire principale hors des charnières et mettez-la de côté. Voir l'illustration 1A.
- Ensuite, retournez l'armoire principale sur le carton, la partie inférieure dirigée vers le haut. Préparez les quatre pieds de support en vue de l'installation, disposant les pieds étiquetés comme il est montré à l'illustration 1B.

**IMPORTANT :** Les quatre pieds de support doivent être correctement disposés afin de pouvoir installer les panneaux de support et la barre d'appui lors d'une prochaine étape d'assemblage.

- Montez un pied de support sur l'armoire fumeur à l'aide de trois vis. Répétez le processus pour les trois autres pieds de support. Voir l'illustration 1C.



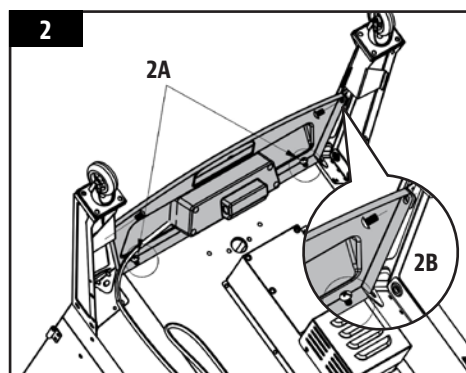
### 2. FIXER CORRECTEMENT LE PANNEAU DE COMMANDE AUX PIEDS DE SUPPORT

Pièces nécessaires :

- 2 x Vis #10-24x $\frac{1}{2}$ " (#D)

Installation:

- Près du panneau de commande, desserrez les deux vis préassemblées reliant le panneau avant à l'armoire principale. Illustration 2A.
- Ensuite, à l'aide de deux autres vis (#D), fixez les côtés du panneau avant aux pieds de support orientés vers l'avant. Une fois ces vis serrées, resserrez les deux vis précédemment desserrées en 2A. Illustration 2B.



### 3. MONTAGE DES PANNEAUX DE SUPPORT

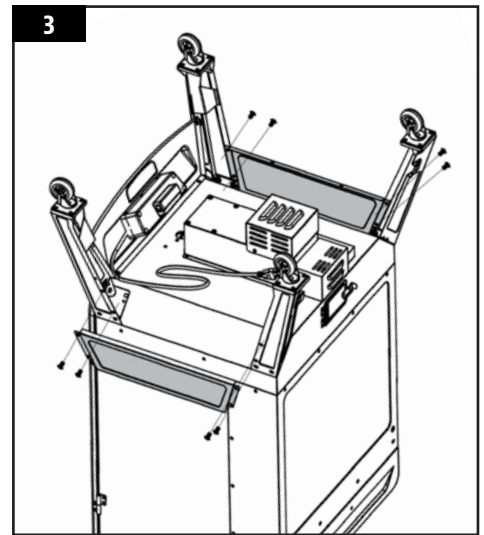
#### Pièces nécessaires :

- 2 x Panneaux de support (#11)
- 8 x Vis #10-24x½ en acier inoxydable (#D)

#### Installation:

- Installez un panneau de support sur le côté de l'unité entre un pied de support avant et un arrière. Fixez en utilisant deux vis de chaque côté. Assurez-vous que le côté plat du panneau de support est orienté vers l'extérieur. Répétez le même processus pour assembler les autres panneaux de support. Regardez l'illustration pour assembler les panneaux de support.

**REMARQUE :** Le panneau de support avec deux trous le long du bas doit être sur le même côté de l'unité que le cordon d'alimentation qui sort du panneau de commande (côté gauche). C'est important pour les prochaines étapes.



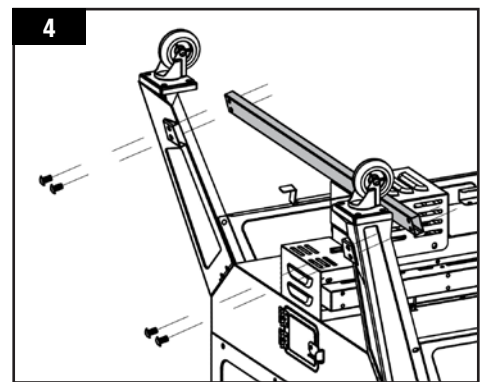
### 4. FIXATION DE LA BARRE D'APPUI

#### Pièces nécessaires :

- 1 x Barre d'appui (#12)
- 4 x Vis #10-24x½ en acier inoxydable (#D)

#### Installation:

- Installez la barre d'appui à l'arrière de l'unité entre les deux pieds de support arrière. Fixez en utilisant deux vis de chaque côté. Assurez-vous que la barre d'appui est placée sur le dessous de l'armoire principale, vers l'intérieur. Regardez l'illustration pour assembler les barres d'appui.



### 5. MONTAGE DU TUBE D'ÉVACUATION DES GRAISSES

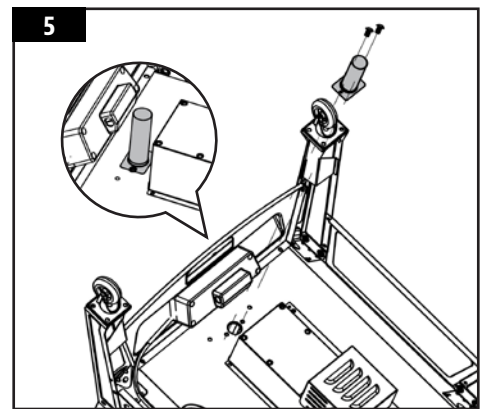
#### Pièces nécessaires :

- 1 x Tube d'évacuation des graisses (#19)
- 2 x Vis #10-24x½ po (#E)

#### Installation:

- Montez le tube d'évacuation des graisses sur le dessous de l'armoire principale à l'aide de deux vis.

**IMPORTANT :** Assurez-vous que l'armoire principale est bien étanche, car de la graisse sortira de l'armoire principale, traversera le tube d'évacuation et sortira dans le plateau à graisse.



### 6. ATTACHER L'ÉCRAN THERMIQUE

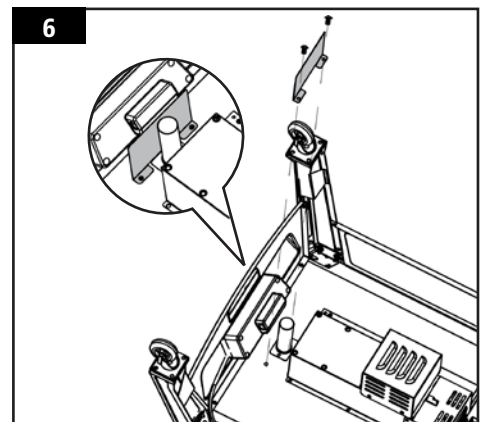
#### Pièces nécessaires :

- 1 x Écran thermique (#20)
- 2 x Vis #10-24x½ po (#D)

#### Installation :

- Positionnez l'écran thermique entre le panneau de commande et le tube d'évacuation des graisses. Fixez en utilisant une vis de chaque côté.

**IMPORTANT :** Si cet élément n'est pas installé correctement, la chaleur et / ou les éclaboussures provenant du tube d'évacuation des graisses peuvent endommager le panneau de commande. Les dommages causés par la graisse à l'arrière du panneau de commande ne sont pas couverts par la garantie.



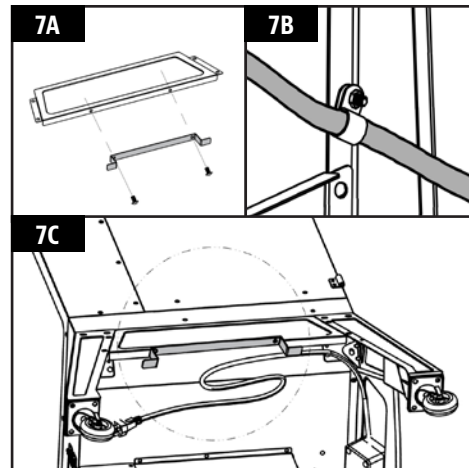
## 7. MONTAGE DU SUPPORT DU CORDON D'ALIMENTATION

### Pièces nécessaires :

- 1 x Support de cordon d'alimentation (#10)
- 2 x Vis #10-24x½ po (#D)

### Installation:

- Repérez les deux trous sur le bas du panneau de support (côté gauche). Montez le support du cordon d'alimentation sur le panneau de support à l'aide de deux vis, comme indiqué sur l'illustration 7A.
- Ensuite, desserrez l'écrou de la pince de support pré-montée et guidez le cordon d'alimentation à travers la pince de support. Quand il est passé à l'intérieur, serrez l'écrou et enroulez le cordon d'alimentation sur le support jusqu'à ce que l'appareil soit utilisé. Illustrations 7B, 7C.



## 8. FIXER LES SUPPORTS DU PLATEAU À GRAISSE

### Pièces nécessaires :

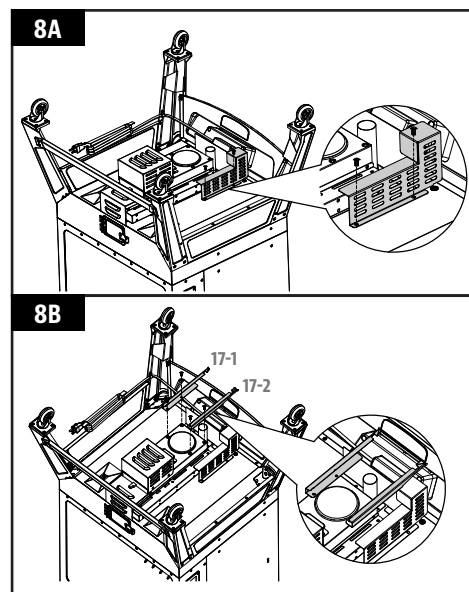
- 1 x Boîtier des câbles (#18)
- 2 x Supports du plateau à graisse (#17)
- 6 x Vis #10-24x½ po (#D)

### Installation:

- Tout d'abord, montez le boîtier des câbles sur la base du boîtier de la vis sans fin en utilisant deux vis dans chaque support. Illustration 8A.
- Montez les supports du plateau à graisses sur la base du boîtier de la vis sans fin en utilisant deux vis dans chaque support. Se reporter à l'illustration 8B pour vérifier l'emplacement approprié.

**REMARQUE : L'extrémité divisée des supports doit faire face au panneau de commande.**

- Serrez complètement toutes les vis sur la base du chariot. Puis tournez soigneusement l'appareil en position verticale, avec les roulettes situées en bas. Veillez à ce que l'appareil soit de niveau.



## 9. PLACER LE PLATEAU À GRAISSE

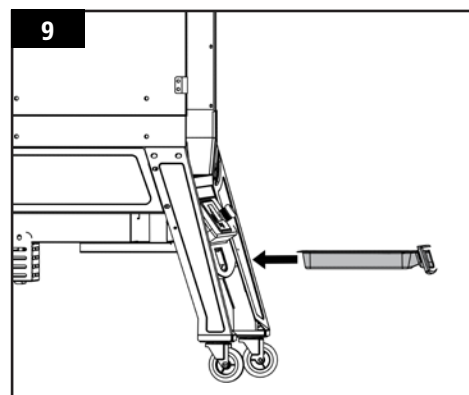
### Pièces nécessaires :

- 1 x Plateau à graisse (#16)

### Installation:

- Glissez le plateau à graisse dans les supports du plateau à graisse sur la face inférieure de l'armoire principale, sous le panneau de commande.

**REMARQUE : Le plateau à graisse est complètement inséré une fois l'avant du plateau poussé complètement jusqu'au fond, sans qu'il y ait d'espace entre le plateau à graisse et le panneau avant.**



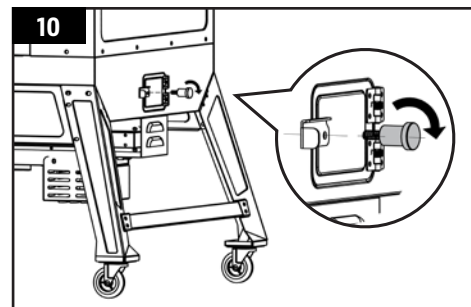
## 10. FIXER LE BOUTON DE LA PORTE DE NETTOYAGE DE LA TRÉMIE

### Pièces nécessaires :

- 1 x Bouton de porte (#A)

### Installation:

- Fixez le bouton de la porte de nettoyage de la trémie en tournant le bouton dans le trou de la porte. Tournez jusqu'à ce qu'il soit bien serré et que la porte de nettoyage soit fixée.



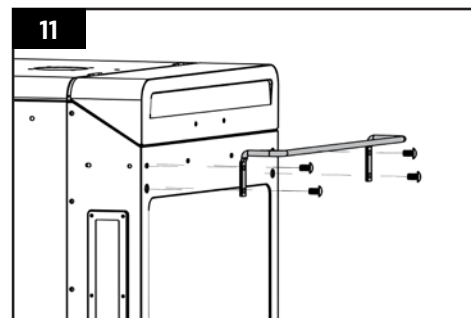
## 11. MONTAGE DE LA POIGNÉE ARRIÈRE

### Pièces nécessaires :

- 1 x Poignée arrière (#5)  
4 x Vis  $\frac{1}{4}$ -20x $\frac{5}{8}$  en acier inoxydable (#C)

### Installation:

- Montez la poignée arrière au dos de la trémie en utilisant quatre vis. Voir l'illustration.



## 12. SÉCURISATION DE LA CHEMINÉE

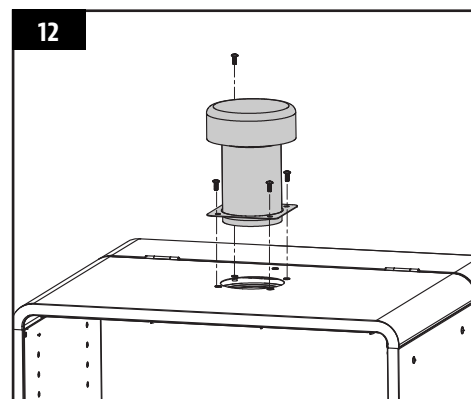
### Pièces nécessaires :

- 1 x Capuchon de cheminée (#3)  
1 x Sortie de la cheminée (#4)  
4 x Vis #10-24x $\frac{1}{2}$  en acier inoxydable (#D)

### Installation:

- Placez l'ouverture de la cheminée sur le dessus de l'armoire principale. De l'extérieur, placez la sortie de la cheminée sur le dessus de l'armoire principale en utilisant quatre vis. La vis se fixera sur l'écrou à sertir à l'intérieur de l'armoire. Ensuite, fixez le capuchon de la cheminée sur la partie supérieure de la sortie de la cheminée.

**REMARQUE :** Ajustez le capuchon de la cheminée afin d'affecter le débit d'air situé à l'intérieur de l'armoire principale. Si vous cuisinez à basse température, gardez le capuchon plus ouvert.



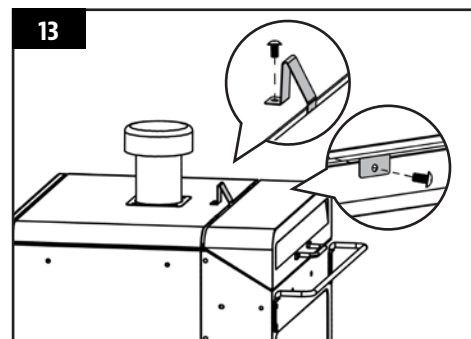
## 13. MONTAGE DU BOUCHON DU COUVERCLE

### Pièces nécessaires :

- 1 x Bouchon du couvercle (#6)  
2 x Vis #10-24x $\frac{1}{2}$  en acier inoxydable (#D)

### Installation:

- Installez le bouchon du couvercle sur le dessus de l'armoire principale à côté du couvercle de la trémie. Utilisez une vis pour le fixer sur le côté supérieur, puis ouvrez le couvercle et fixez une vis sur le bord intérieur entre les charnières du couvercle de la trémie.





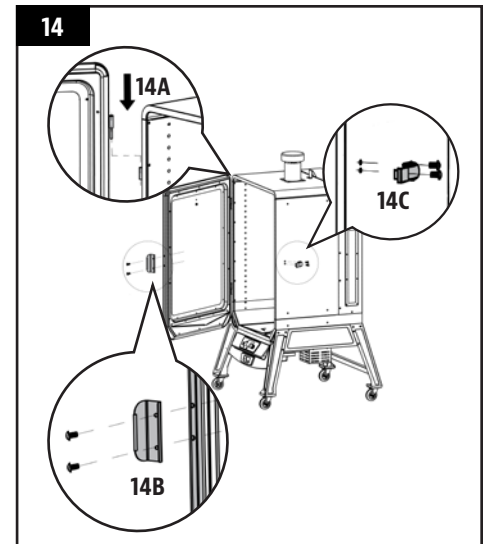
## 14. FIXATION DE LA POIGNÉE ET DU LOQUET DE LA PORTE D'ARMOIRE

### Pièces nécessaires :

- 1 x Poignée de porte d'armoire (#8)
- 1 x Loquet de porte d'armoire (#9)
- 4 x Vis #10-24x½ en acier inoxydable (#D)

### Installation:

- Tout d'abord, réinstallez la porte sur l'armoire principale en alignant et en fixant les deux charnières de porte. Assurez-vous que la porte de l'armoire est correctement montée en regardant si elle s'ouvre correctement. Illustration 14A.
- Montez la poignée de la porte de l'armoire au centre du côté avant de la porte d'armoire à l'aide de deux vis. Notez la direction correcte en 14B.
- Montez le loquet sur la porte de l'armoire à l'extérieur de l'armoire principale avec deux vis pour chacune. Illustration 14C.



## 15. INSTALLATION DES COMPOSANTS DE CUISSON

### Pièces nécessaires :

- 14 x Supports de la grille de cuisson (#2)
- 6 x Grilles de cuisson (#1)
- 1 x Réservoir d'eau (#13)
- 1 x Réducteur de flamme (#14)

### Installation:

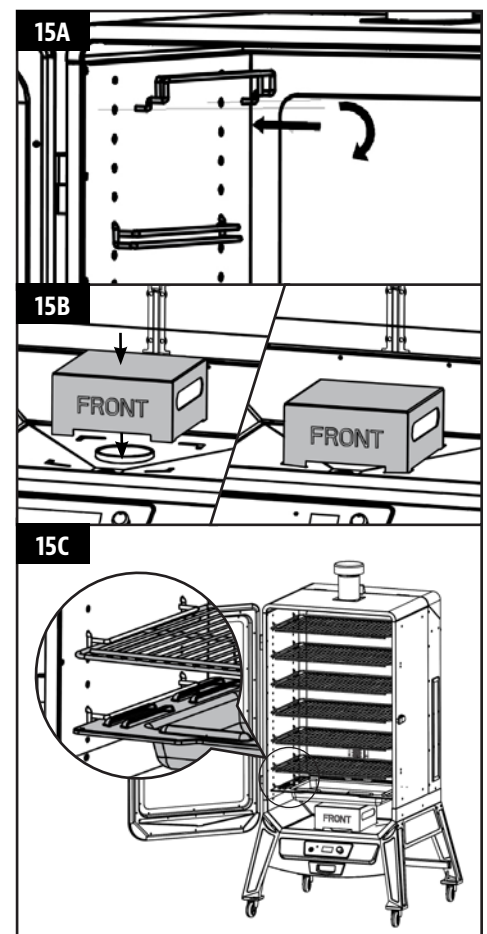
- Insérez sept supports de grille de cuisson dans les trous situés le long de la paroi intérieure gauche de l'armoire principale. Une fois les supports dans les trous, inclinez-les vers le bas pour qu'ils soient fixés dans la bonne position. Répétez le même processus, en faisant correspondre les hauteurs pour la paroi du côté droit. Voir illustration 15A.
- Placez le réducteur de flamme sur le pot de combustion en bas à l'intérieur de l'armoire principale. Pour assurer un positionnement correct, alignez le réducteur de flamme dans les rainures situées au bas du panneau de base. Voir illustration 15B.

**IMPORTANT : Les fenêtres d'aération sur les côtés du boîtier du réducteur de flamme ne doivent pas être orientées vers l'avant, vers la porte de l'armoire. Cela pourrait endommager le panneau de commande si les flammes sont trop grandes.**

- Ensuite, insérez le réservoir d'eau dans les supports de grille les plus bas à l'intérieur de l'armoire. Remplissez le réservoir d'eau aux  $\frac{3}{4}$  avec de l'eau.

**IMPORTANT : Assurez-vous qu'il y ait toujours de l'eau dans le réservoir pendant la cuisson. Il va récupérer la graisse et les gouttes de vos aliments et permettre un nettoyage plus facile. Si vous fumez des aliments pendant une période prolongée, mettez le réservoir d'eau plus haut pour que l'eau dure plus longtemps.**

- Enfin, placez les grilles de cuisson une par une sur les supports à l'intérieur de l'armoire principale. Voir illustration 15C.



## 16. CONNEXION À UNE SOURCE D'ALIMENTATION

**REMARQUE :** Avant de brancher votre unité dans une prise électrique, assurez-vous que la molette de température est en position SMOKE. Débranchez le câble quand l'appareil n'est pas utilisé.

### • PRISE STANDARD

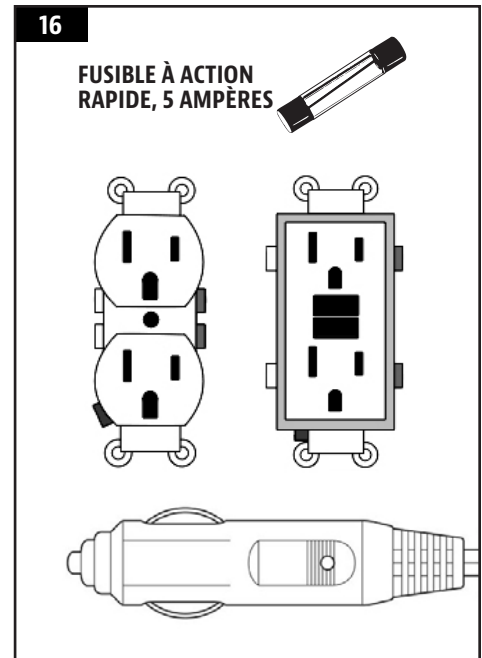
Cette unité nécessite un voltage de 110-120 Volts, 60 hz, 250 w. Il doit utiliser une fiche de mise à la terre à 3 broches. Assurez-vous que la mise à la terre n'est pas rompue. Le contrôle utilise un fusible à action rapide de 5 ampères et 110-120 volts pour protéger le panneau de l'allumeur.

### • LES PRISES DDFT

Cet appareil fonctionnera sur la plupart des prises DDFT, avec une taille recommandée de 15 ampères. Si votre prise DDFT est très sensible aux surtensions, elle sera probablement touchée par un court-circuit pendant la phase d'allumage. Pendant la phase d'allumage, l'allumeur nécessite entre 200 et 700 watts de tension, ce qui peut représenter trop de puissance pour une prise DDFT. La qualité du DDFT n'a pas d'importance, mais plutôt la sensibilité; Chaque fois qu'il y a une surtension, il augmente sa sensibilité. Si le DDFT continue de sauter, remplacez la prise ou passez à une prise non DDFT.

### • SUR LA ROUTE

Débranchez l'allumeur du faisceau de câbles principal. Utilisez la procédure de démarrage manuelle. Une unité Pit Boss® peut fonctionner en utilisant un onduleur de 12 volts et 100 watts branché sur votre prise automobile. Pour utiliser l'allumeur automatique, on vous recommande d'utiliser un onduleur d'au moins 1000 watts.



## INSTRUCTIONS D'UTILISATION

*Avec notre style de vie d'aujourd'hui et l'envie de vivre et de manger sainement, un facteur important à considérer est la nécessité de réduire nos apports en matières grasses. L'une des meilleures façons de réduire les graisses dans votre régime alimentaire est d'utiliser une méthode de cuisson faible en matières grasses, tel que le fumage. Comme un fumoir à granulés utilise des granulés de bois naturels, la saveur de bois savoureux est cuite dans les viandes, ce qui réduit le besoin de sauces à haute teneur en sucre.*

### ENVIRONNEMENT DU FUMOIR

#### 1. OÙ INSTALLER LE FUMOIR

Avec tous les appareils extérieurs, les conditions météorologiques extérieures jouent un rôle important dans la performance de votre fumoir et le temps de cuisson nécessaire pour parfaire vos repas. Le Pit Boss®, grâce à sa double paroi, devrait être considéré comme un fumoir de 3 saisons, selon votre lieu de résidence. Il convient de conserver une distance minimum de 305 mm (12 pouces) entre toutes les unités Pit Boss® et les matériaux combustibles, et cette distance doit être conservée pendant l'utilisation du fumoir. Cet appareil ne doit pas être placé sous un plafond ou un surplomb combustible. Gardez votre fumoir dans une zone dégagée et exempte de matières combustibles, d'essence et d'autres vapeurs et liquides inflammables.

#### 2. CUISINER PAR TEMPS FROIDS

Lorsqu'il commence à faire plus frais dehors, cela ne signifie pas que vous ne pouvez plus cuisiner à l'extérieur! L'air frais et l'arôme divin des aliments fumés aideront à guérir votre blues d'hiver. Suivez les suggestions suivantes sur la façon de profiter de votre fumoir pendant les mois les plus frais :

- Si le fumage à basse température échoue, augmentez légèrement la température pour obtenir les mêmes résultats.
- Organisez – Préparez tout ce dont vous avez besoin dans la cuisine avant de vous diriger à l'extérieur. Pendant l'hiver, déplacez votre fumoir dans un endroit protégé du vent et du froid. Vérifiez les règlements locaux concernant la proximité de votre fumoir par rapport à votre maison et/ou autres constructions. Mettez tout ce dont vous avez besoin sur un plateau, emballez et lancez-vous!

- Pour suivre la température extérieure, placez un thermomètre extérieur près de votre zone de cuisson. Gardez un journal ou un historique de ce que vous avez préparé, de la température extérieure et du temps de cuisson. Cela sera utile plus tard pour vous aider à déterminer ce qu'il faut cuisiner et combien de temps cela prendra.
- Par temps très froid, augmentez votre temps de préchauffage d'au moins 20 minutes.
- Évitez d'ouvrir la porte de l'armoire du fumoir plus que nécessaire. Les rafales de vents froids peuvent refroidir complètement votre température interne. Soyez souple quant au moment de servir; ajoutez environ 10 à 15 minutes de plus à la cuisson à chaque fois que vous ouvrez la porte.
- Ayez un plateau chauffé ou un couvercle de plat prêt à garder votre nourriture au chaud tout en faisant le voyage à l'intérieur.
- Les aliments idéaux pour la cuisine d'hiver sont ceux qui nécessitent peu d'attention, comme les rôtis, les poulets entiers, les côtes et la dinde. Rendez votre préparation de repas encore plus facile en ajoutant des éléments simples comme les légumes et les pommes de terre.

### 3. CUISINER PAR TEMPS CHAUDS

À mesure qu'il fait plus chaud à l'extérieur, le temps de cuisson diminue. Une tenue correcte est importante quand il fait vraiment chaud : un short, t-shirt, des chaussures, un chapeau, un tablier et une grosse portion de crème solaire sont recommandés. Suivez ces suggestions sur la façon de profiter de votre fumoir pendant les mois chauds :

- Ajustez à la baisse vos températures de cuisson. Cela permet d'éviter les poussées indésirables.
- Utilisez un thermomètre à viande pour déterminer la température interne de vos aliments. Ceci permet d'éviter que votre viande ne soit trop cuite ou se dessèche.
- Même par temps chaud, gardez la porte de l'armoire du fumoir fermée en tout temps.
- Vous pouvez garder vos aliments chauds au chaud en les enveloppant dans du papier aluminium et en les plaçant dans une glacière isolée. Placez du papier journal froissé autour du papier aluminium et cela tiendra la nourriture chaude pendant 3 à 4 heures.

## GAMMES DE TEMPÉRATURE DU FUMOIR

**Les lectures de température sur le panneau de contrôle peuvent ne pas correspondre exactement au thermomètre. Toutes les températures indiquées ci-dessous sont approximatives et sont affectées par les facteurs suivants : la température ambiante extérieure, la quantité et la direction du vent, la qualité du combustible à granulés utilisé, si la porte de l'armoire reste ouverte et la quantité de nourriture en cours de cuisson.**

- **HAUTE TEMPÉRATURE (190-215°C / 375-420°F)**

Cette gamme de températures est utilisée pour griller à feu vif, sans aucun contact avec la flamme. La température élevée est également utilisée comme température de combustion pour nettoyer les grilles de cuisson après utilisation. En outre, une chaleur élevée peut être utilisée dans des conditions de froid extrême pour compenser le contraste des températures entre l'extérieur et l'intérieur de l'unité.

- **TEMPÉRATURE MOYENNE (135-177 °C / 275-350 °F)**

Cette gamme de températures est idéale pour cuire au four, rôtir et terminer votre création à fumaison lente. La cuisson à ces températures réduira considérablement les risques de poussée de graisse. Excellente gamme pour cuisiner n'importe quoi enveloppé dans du bacon, ou où vous voulez une polyvalence avec contrôle.

- **BASSE TEMPÉRATURE (65-122°C / 150-250°F)**

Cette gamme de températures permet de rôtir lentement, d'augmenter la saveur fumée et de garder les aliments au chaud. Infusez plus de saveur fumée et gardez vos viandes juteuses en cuisinant plus longtemps à une température plus basse (également connu sous le nom de **faible et lent**). Hautement recommandé pour la grande dinde de Thanksgiving, le jambon juteux à Pâques, ou l'immense fête de Noël.

Le fumage est une variation de vrai barbecue et est vraiment le premier avantage d'un fumoir. Il existe deux types de fumage : le fumage à chaud et le fumage à froid.

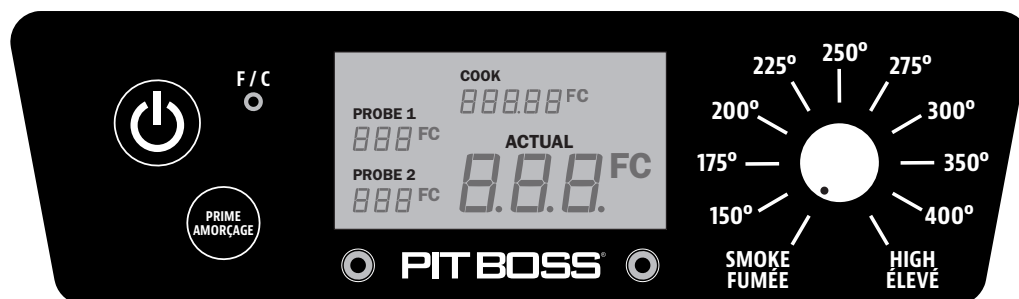
- **Le fumage à chaud**, un autre nom pour la cuisson **faible et lente**, se fait généralement à 65-122° C / 150-250° F. Le fumage à chaud fonctionne mieux lorsqu'un temps de cuisson plus long est nécessaire, comme pour les grandes coupes de viande, de poisson ou de volaille.

- **Le fumage à froid** se fait quand les aliments se situent tellement loin du feu qu'ils fument sans cuire, et à des températures allant de 15°C à 32°C (60°F à 90°F).

**CONSEIL :** Pour intensifier cette saveur salée, passez à la température de fumée (basse) immédiatement après avoir mis vos aliments dans le fumoir. Cela permet à la fumée de pénétrer dans les viandes, avant que les pores de la viande ne se ferment à 49 ° C / 120 ° F.

La clé consiste à expérimenter le temps que vous autorisez à fumer, avant que le repas ne soit cuit. Certains chefs de plein air préfèrent fumer à la fin d'une cuisson, ce qui permet à la nourriture de rester au chaud jusqu'à ce qu'elle soit prête à être servie. La pratique rend parfait!

## COMPRENDRE LE TABLEAU DE CONTRÔLE



BOUTON	DESCRIPTION
	Appuyez sur le <b>bouton Power</b> (Alimentation) pour allumer l'unité. Une fois que vous avez connecté l'appareil à une source d'alimentation et que vous avez appuyé sur le bouton Power (Alimentation), l'écran DEL s'illuminera, indiquant qu'il est prêt à être utilisé. Appuyer et maintenir enfoncé le bouton « Power » (Alimentation) pour éteindre l'unité.
	Le <b>cadran de réglage des températures</b> vous permet de configurer la température de fumage de votre choix. Sélectionner l'une des dix températures pré-réglées sur le cadran de réglage, entre 65-215°C / 150-420°F. La température de consigne souhaitée est affichée sur l'écran LED numérique pendant quelques secondes, puis revient à la température réelle.
	Le <b>commutateur de température</b> est utilisé pour changer la lecture de température sur l'écran DEL numérique. Appuyez le bouton pour passer de la température en Celsius (°C) à Fahrenheit (°F), au choix. L'affichage par défaut est en Fahrenheit.
	L' <b>écran DEL</b> sert de centre d'information pour votre unité. L'écran DEL affichera la température de cuisson de votre choix, la température de cuisson réelle, et la température de la sonde thermique (si branchée). Si une seule sonde à viande est connectée, une seule lecture sera affichée. Les températures peuvent être affichées soit en Fahrenheit, soit en Celsius.
	Appuyez sur le <b>bouton Prime</b> et maintenez-le appuyé afin d'activer une alimentation supplémentaire de pastilles dans le pot de combustion. Ceci peut être utilisé pour ajouter plus de carburant juste avant d'ouvrir la porte de l'armoire du fumoir, permettant ainsi d'obtenir un temps de récupération de la chaleur plus rapide. Ceci peut également être utilisé pour ajouter plus de carburant pendant le fumage, pour augmenter l'intensité du goût de fumé. Demandé par les cuisiniers qui font de la compétition.
	Le <b>paramètre Smoke</b> (Fumer) du cadran de réglage de la température est température la plus basse sans que le feu ne s'éteigne de l'unité.
	Les ports de connexion enfichables à l'avant du panneau de commande sont destinés à une ou plusieurs sondes à viande. Lorsqu'une sonde à viande est connectée, la température est affichée sur l'écran LED. Lorsqu'il n'est pas utilisé, débranchez la sonde thermique du port de connexion. <i>Compatible uniquement avec les sondes à viande Pit Boss®. Sonde à viande supplémentaire vendue séparément.</i>



## COMPRENDRE LES SONDÉS

### • *SONDE DE GRIL*

Située à l'intérieur de l'armoire, sur la paroi arrière en bas se trouve la sonde de gril. C'est une petite pièce verticale d'acier inoxydable. La sonde de gril mesure la température interne de l'unité. Cette température interne est affichée sur l'écran LED numérique en tant que température «ACTUELLE».

**IMPORTANT : La température de votre unité dépend grandement des conditions climatiques extérieures, de la qualité des pastilles utilisées et de la quantité d'aliments qui sont cuisinés.**

### • *LA SONDE THERMIQUE*

La sonde thermique mesure la température interne de votre viande dans l'armoire du fumoir, de la même façon que votre four de cuisine. Branchez l'adaptateur de sonde thermique au port de connexion de la sonde thermique et insérez la sonde thermique en acier inoxydable dans la partie la plus épaisse de votre viande et la température sera affichée sur le panneau de contrôle. **Pour vous assurer que la sonde thermique est bien branchée au port de connexion, vous verrez et l'entendrez cliquer en place.**

**IMPORTANT : Lorsque vous placez la sonde thermique dans votre viande, assurez-vous que la sonde thermique et les fils de la sonde n'entrent pas en contact direct avec les flammes ou l'excès de chaleur. Ceci pourrait endommager votre sonde thermique. Faites passer les câbles par l'avant de la porte d'armoire principale, le long du côté. Lorsqu'elle ne sert pas, débranchez-la du port de connexion de la sonde thermique et placez-la de côté pour la maintenir propre et protégée.**

## PROCÉDURE D'AMORÇAGE DE LA TRÉMIE

Ces instructions doivent être suivies la première fois que le fumoir est allumé, et à chaque fois que le fumoir est à court de granulés dans la trémie. La vis sans fin doit être amorcée pour permettre aux granulés de circuler sur toute la longueur de la vis sans fin et de remplir le pot de combustion. S'il n'est pas amorcé, l'allumeur s'éteindra avant que les granulés ne s'enflamment. Suivez les étapes suivantes pour amorcer :

1. Ouvrez le couvercle de la trémie. Veillez à ce qu'il n'y ait pas d'objets étrangers dans la trémie ou que des objets bloquent le système d'alimentation de la vis sans fin dans le fond.
2. Retirez tous les composants de cuisson de l'intérieur du fumoir. Localisez le pot de combustion au fond de l'armoire du fumoir.
3. Branchez le cordon d'alimentation dans une source d'alimentation. Appuyez sur le **bouton Power** (Alimentation) pour allumer l'unité, et assurez-vous que le **cadran de réglage de la température** est sur la position SMOKE. Vérifiez les éléments suivants :
  - Vous pouvez entendre la vis sans fin tourner. Placez votre main au-dessus du pot de combustion et sentez s'il y a un mouvement d'air. Ne placez pas votre main ou vos doigts dans le pot de combustion. Ceci peut provoquer des blessures.
  - Après environ une minute, vous devriez sentir l'allumeur brûler et commencer à sentir l'air qui devient plus chaud dans le pot de combustion. Le bout de l'allumeur ne deviendra pas rouge. Ne touchez pas l'allumeur. Cet élément devient extrêmement chaud et brûlant.
4. Une fois que vous avez vérifié que tous les composants électriques fonctionnent correctement, appuyez et maintenez enfoncé le **bouton Power** (Alimentation) pour éteindre l'unité.
5. Remplissez la trémie avec des granules de bois de barbecue naturel. Surveillez le niveau de granulés en utilisant le regard sur le côté.
6. Appuyez sur le **bouton Power** (Alimentation) pour allumer l'unité. Tout en maintenant le **cadran de réglage de la température** sur la position SMOKE, appuyez sur le **bouton Prime** et maintenez-le enfoncé jusqu'à ce que vous voyiez des granulés entrer dans le pot de combustion. Une fois que les granulés commencent à tomber dans le pot de combustion, relâchez le **bouton Prime**. Laissez les granulés s'allumer et créer des flammes. Une fois que les flammes sortent du pot de combustion, appuyez sur le **bouton Power** et maintenez-le enfoncé pour éteindre le panneau de commande, et laissez le fumoir se refroidir.
7. Une fois que le fumoir a refroidi, réinstallez les composants de cuisson à l'intérieur de l'armoire principale. Le fumoir est maintenant prêt à l'emploi!

## PREMIÈRE UTILISATION - SURCHAUFFER LE FUMOIR

Une fois que votre bac a été préparé et avant d'utiliser votre fumeur pour la première fois avec de la nourriture, il est important de surchauffer. Démarrez le fumoir et réglez-le à une température supérieure à 177 ° C / 350 ° F avec la porte du meuble fermée pendant 30 à 40 minutes pour surchauffer l'appareil et éliminer les corps étrangers.

## PROCÉDURE DE DÉMARRAGE AUTOMATIQUE

1. Assurez-vous que le **cadran de réglage de la température** est sur la position SMOKE. Branchez le cordon d'alimentation dans une source d'alimentation mise à la terre.
2. Vérifiez le pot de combustion pour s'assurer qu'il n'y a pas d'obstruction pour un allumage correct. Ouvrez le couvercle de la trémie. Veillez à ce qu'il n'y ait pas d'objets étrangers dans la trémie ou dans l'entrée du système d'alimentation en bas de l'armoire. Remplissez la trémie de granulés de bois dur pour bbq sèches et 100 % naturelles. Remplissez le réservoir d'eau aux  $\frac{3}{4}$  avec de l'eau et surveillez pendant votre cuisson; re-remplissez fréquemment.
3. Appuyez sur le **bouton Power** (Alimentation) pour allumer l'unité. Cela active le cycle de démarrage. Le système d'alimentation de vis sans fin commencera à tourner, l'allumeur commencera à s'allumer et le ventilateur fournira de l'air au pot de combustion. Votre fumoir commencera à produire de la fumée pendant que le cycle de mise en marche se déroule. La porte d'armoire doit rester ouverte pendant le cycle de démarrage. Pour confirmer que le cycle de démarrage a commencé correctement, écoutez un rugissement torché et notez que de la chaleur est produite.
4. Fermez la porte de l'armoire. Tournez le **cadran de réglage de la température** à 177°C / 350°F, afin de permettre à l'unité de se préchauffer pendant environ 15 à 20 minutes.
5. Une fois le préchauffage terminé, vous êtes prêt à profiter de votre fumoir à la température souhaitée!

**IMPORTANT : Lorsque vous sélectionnez SMOKE ou une température basse après le préchauffage, la vis sans fin continuera à tourner et alimentera les granulés. Cela augmentera momentanément la température, mais la température diminuera finalement et se stabilisera. Rappelez-vous que vous essayez de régler un feu, il faut donc du temps pour atteindre la température désirée.**

## PROCÉDURE DE DÉFAILLANCE DE L'ALLUMER

**Si, pour une raison quelconque, votre allumeur électrique échoue, vérifiez les étapes suivantes ou allumez votre gril en utilisant la méthode manuelle.**

1. Assurez-vous que le **cadran de réglage de la température** est sur la position SMOKE et l'appareil est éteint. Ouvrez la porte de l'armoire. Retirez les composants de cuisson de l'intérieur. Enlevez tous les granulés non brûlés et les cendres du pot de combustion. Évitez de toucher l'allumeur pour éviter les blessures, car il sera extrêmement chaud.
2. Après avoir enlevé et nettoyé les composants de cuisson, appuyez sur le **bouton Power** (Alimentation) pour allumer l'unité. Vérifiez ce qui suit :
  - Confirmez visuellement que l'allumeur fonctionne en plaçant votre main au-dessus du pot de combustion et en sentant s'il émet de la chaleur.
  - Confirmez visuellement que l'allumeur dépasse environ 13 mm / 0,5 pouces dans le pot de combustion.
  - Confirmez visuellement que la vis sans fin fait tomber des granulés dans le pot de combustion.
  - Confirmez que le ventilateur de combustion fonctionne en écoutant le grondement produit.
3. Si l'un des points ci-dessus ne fonctionne pas, suivez les **instructions de dépannage**.

## PROCÉDURE DE DÉMARRAGE MANUELLE

1. Assurez-vous que le **cadran de réglage de la température** est sur la position **SMOKE**. Branchez le cordon d'alimentation dans une source d'alimentation mise à la terre.
2. Vérifiez le pot de combustion pour s'assurer qu'il n'y a pas d'obstruction pour un allumage correct. Ouvrez le couvercle de la trémie. Veillez à ce qu'il n'y ait pas d'objets étrangers dans la trémie ou le système d'alimentation. Remplissez la trémie avec des granulés de bois de barbecue naturels et secs.
3. Ouvrez la porte de l'armoire. Retirez les composants de cuisson pour exposer le pot de combustion. Déposez une poignée généreuse de granulés dans le pot de combustion. Jetez un démarreur à froid gélifié, ou un autre démarreur approprié, sur le dessus des granulés. Une petite quantité d'allume feu de combustibles solides, comme par exemple composé de sciure de bois et de cire, ou des copeaux de bois, est également appropriée. Ajoutez une autre petite quantité de granulés sur le pot de combustion.

**REMARQUE : NE PAS utiliser d'alcool, d'essence, de pétrole, d'essence à briquet ou du kérosène pour allumer ou faire reprendre un feu dans votre gril.**

4. Allumez le contenu du pot de combustion à l'aide d'une longue allumette ou d'un briquet à nez long. Laissez l'allume-feu brûler pendant 3 à 5 minutes. N'essayez pas d'ajouter plus de d'allume-feux dans le pot de combustion. Ceci peut provoquer des blessures.
5. Remplacez rapidement et soigneusement les composants de cuisson à l'intérieur de l'armoire du fumoir. La porte d'armoire doit rester ouverte pendant le cycle de démarrage.
6. Continuez le démarrage en suivant les étapes de trois à cinq de la **Procédure de démarrage automatique**.

## ÉTEINDRE VOTRE FUMOIR

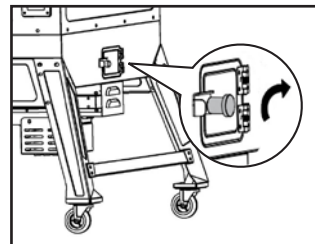
1. Lorsque vous avez terminé de cuisiner sur votre gril, tournez la molette de température à 177°C / 350°F et fermez la porte de l'armoire. Laissez votre fumoir fonctionner pendant 5 à 10 minutes afin qu'il puisse recourir à sa méthode habituelle de nettoyage. Si vous venez de préparer des aliments très gras, laissez le fumoir continuer à cuire pendant 10 à 20 minutes de plus. Cela réduira les risques de feu de graisse lors du prochain démarrage.
2. Une fois que la surchauffe est terminée, maintenez la porte de l'armoire fermée et tournez la molette de température jusqu'à 93°C / 200°F pendant cinq minutes pour permettre à tous les granulés restants de se consumer.
3. Après cinq minutes et en laissant la porte de l'armoire fermée, appuyez et maintenez enfoncé le bouton « Power » (Alimentation) pour éteindre l'unité. Le fumoir commencera son cycle de refroidissement automatique. Le système de la vis sans fin arrêtera d'alimenter en combustible, la flamme s'éteindra et le ventilateur continuera à fonctionner jusqu'à ce que le cycle de refroidissement soit terminé.

# ENTRETIEN ET MAINTENANCE

Votre unité Pit Boss® vous servira fidèlement pendant de longues années tout en minimisant les efforts de nettoyage. Une étape importante est de laisser l'armoire du fumoir et les grilles de cuisson s'auto-nettoyer en allumant le fumoir à une température élevée opérant 5 à 10 minutes après chaque utilisation. Suivez ces conseils de nettoyage et d'entretien pour assurer l'entretien de votre fumoir :

## 1. ASSEMBLAGE DE LA TRÉMIE

- La trémie comprend une fonction de nettoyage lui permettant de se nettoyer facilement et de changer les arômes du combustible à granulés. Pour vider, localisez la porte de nettoyage sur la partie arrière de la trémie. Placez un seau propre et vide sous la porte de nettoyage, puis desserrez lentement le bouton de la porte, soulevez le loquet de la porte et laissez les granulés se vider.



**REMARQUE : Utilisez une brosse à manche long ou un aspirateur d'atelier pour retirer les excès de granulés, de sciure de bois et de débris pour un nettoyage complet.**

- Vérifiez et nettoyez les débris dans les bouches d'aération du ventilateur, situé à l'arrière de l'armoire du fumoir. Pour un nettoyage en profondeur, essuyez soigneusement toute accumulation de graisse directement sur les pales du ventilateur (voir **Schéma électrique pour l'accès aux composants électriques**). Cela garantit que le flux d'air est suffisant pour le système d'alimentation.

## 2. SONDES

- Tout nœud ou pli des fils de la sonde peuvent causer des dommages. Une sonde non utilisée devrait être enroulée dans une grande bobine desserrée.
- Bien que les deux sondes soient en acier inoxydable, ne les mettez pas dans le lave-vaisselle, ou dans l'eau. Les dommages causés par l'eau aux fils internes entraîneront un court-circuit de la sonde, créant une lecture erronée. Si une sonde est endommagée, elle devrait être remplacée.

## 3. LES SURFACES INTERNES

- Il est recommandé de nettoyer votre pot de combustion après chaque utilisation. Cela assurera un allumage correct et évitera toute accumulation de débris ou de cendres dans le pot de combustion.
- Utilisez une brosse de nettoyage à gri à long manche (laiton ou métal doux), retirez tout aliment ou accumulation des grilles de cuisson. La meilleure pratique consiste à faire cela alors qu'elles sont encore chaudes. Les feux de graisse sont causés par trop de débris tombés sur les composants de cuisson du fumoir. Nettoyez l'intérieur de votre fumoir régulièrement. Dans le cas où vous êtes confronté à un feu de graisse, gardez la porte l'armoire du fumoir fermée pour étouffer l'incendie. Si l'incendie ne s'éteint pas rapidement, retirez soigneusement les aliments, éteignez le fumoir et fermez la porte de l'armoire jusqu'à ce que le feu soit complètement éteint. Une autre façon d'éteindre un feu consiste à enrouler une feuille d'aluminium autour de la cheminée, en bloquant l'air à l'intérieur. Saupoudrez légèrement de bicarbonate de soude, si disponible. Vérifiez souvent votre plateau à graisse et nettoyez-le si nécessaire. Gardez à l'esprit le type de cuisson que vous faites. Assurez-vous que le tuyau d'évacuation des graisses n'est pas obstrué.

**IMPORTANT : De la graisse peut s'accumuler dans le réservoir d'eau. Tapisser le réservoir d'eau avec du papier aluminium pour faciliter le nettoyage après la cuisson. Remplissez et remplacez souvent l'eau dans le réservoir d'eau.**

- Le verre de la porte de l'armoire est trempé et ne cassera pas à haute température; cependant, une accumulation excessive peut empêcher la fermeture de la porte si elle n'est pas nettoyée régulièrement. La fumée et les débris peuvent être enlevés en nettoyant le verre fréquemment.

## 4. LES SURFACES EXTERNES

- Essuyez votre fumoir après chaque utilisation. Utilisez de l'eau chaude savonneuse pour enlever la graisse. Ne pas utiliser de nettoyant à four, nettoyant abrasif ou lingettes nettoyantes sur les surfaces externes de l'armoire. Toutes les surfaces peintes ne sont pas couvertes par la garantie, mais font partie de la maintenance générale et de



l'entretien. Pour les rayures de peinture, l'usure ou l'écaillage de la finition, toutes les surfaces peintes peuvent être retouchées à l'aide d'une peinture à barbecue à haute chaleur.

- Utilisez une housse afin de protéger votre fumoir pour une protection complète! Une housse est la meilleure protection contre les intempéries et les polluants extérieurs. Lorsqu'il n'est pas utilisé ou pour un stockage à long terme, conservez l'unité sous une housse dans un garage ou un hangar.

**TABLEAU DE FRÉQUENCE DE NETTOYAGE (UTILISATION NORMALE)**

<b>ARTICLE</b>	<b>FRÉQUENCE DE NETTOYAGE</b>	<b>MÉTHODE DE NETTOYAGE</b>
<b>Porte d'armoire principale en verre</b>	Toutes les 2-3 utilisations	Mélanger du bicarbonate de soude et du vinaigre, frotter avec une paille de fer (fine)
<b>Dessous de l'armoire principale</b>	Toutes les 5-6 utilisations	Retirer, aspirer les excès de débris
<b>Pot de combustion</b>	Après chaque utilisation	Retirer, aspirer les excès de débris
<b>Grilles de cuisson</b>	Après chaque utilisation	Brûler le surplus, Brosse en laiton
<b>Réservoir d'eau</b>	Après chaque utilisation	Éponge à gratter et eau savonneuse
<b>Plateau à graisse</b>	Après chaque utilisation	Éponge à gratter et eau savonneuse
<b>Tube d'évacuation des graisses</b>	Toutes les 5-6 utilisations	Éponge à gratter et eau savonneuse
<b>Système d'alimentation de la vis sans fin</b>	Lorsque le récipient de granulés est vide	Permettre à la vis sans fin de faire sortir la sciure de bois, en laissant la trémie vide
<b>Composants électriques</b>	Une fois par an	Dépoussiérez l'intérieur, essuyez les lames de ventilateur avec de l'eau savonneuse
<b>Arrivée d'air</b>	Toutes les 5-6 utilisations	Poussière, éponge à gratter et eau savonneuse
<b>Sonde de grill</b>	Toutes les 2-3 utilisations	Éponge à gratter et eau savonneuse

# UTILISATION DU COMBUSTIBLE EN GRANULÉS DE BOIS

Les granulés de bois pour barbecue à combustion propre génèrent environ 8 200 BTU par livre avec très peu de cendres, une faible teneur en humidité (5-7%) et sont neutres en carbone.

Les granulés de bois pour barbecue sont produits avec des matières premières pures (sciures) qui sont pulvérisées avec un broyeur à marteaux et forcées avec pression à travers une filière. Quand le granulé est forcé à travers la filière, il est cisailé, refroidi, trié, aspiré, puis emballé pour la consommation. Vérifiez auprès de votre distributeur local pour connaître la gamme d'essences disponibles dans votre région.

## MÉLANGE NOYER BLANC

Riche saveur fumée similaire à du bacon. Fortement recommandé pour les rôtis et le fumage de vos viandes préférées.

## MÉLANGE PÉCAN

Saveur fumée similaire à du bacon. Semblable au noyer blanc mais moins fort.

## MÉLANGE MESQUITE

Arôme puissant aux goûts acidulés et épicés. Le parfait niveau de goût robuste pour complimenter votre cuisine Tex-Mex.

## MÉLANGE POMMIER

Saveur fumée et modérément sucrée. Fortement recommandée pour la cuisson au four et du porc.

## MÉLANGE CERISIER

Saveur légèrement sucrée avec des notes acidulées. Offre un teint rosé à vos viandes légères dont l'apparence et le goût sont incomparables.

## MÉLANGE DE BARIL DE WHISKY

Saveur sucrée et fumée au goût piquant. Un mélange haut de gamme de chêne et parfait pour toutes vos viandes rouges.

## MÉLANGE DE COMPÉTITION

Mélange parfait de saveurs sucrées, délicieuses et acidulées. Un mélange d'érable, de noyer blanc et de cerisiers - parfaitement polyvalent pour répondre à tous vos besoins de cuisine. Utilisé par de nombreux « grillers » professionnels.

**REMARQUE : Conservez toujours vos granulés de bois dans un endroit sec. Les exposer à l'humidité poussera les granulés à absorber l'humidité et produira un rendement calorifique plus faible ou provoquera un gonflement et une dissolution des granulés. Utilisez un bac ou sceau résistant à l'humidité et pouvant être scellé à nouveau pour la conservation.**

## LIGNES DIRECTRICES POUR LA CUISINE

Les styles de cuisson de fumage et de grillage peuvent vous donner des résultats différents dépendant du temps et la température. Pour obtenir de meilleurs résultats, conservez un registre de tout ce que vous cuisinez, à quelle température vous le cuisinez, ainsi que les résultats. Ajustez toutes ces variables, selon vos goûts, la prochaine fois. Ce n'est qu'en s'exerçant qu'on s'améliore. L'art culinaire du fumage à chaud équivaut à des temps de cuisson plus long, mais il produit également une saveur de bois plus naturelle (et une « bande de fumage ») dans vos viandes. Une température de cuisson plus élevée, ce qui veut dire moins de temps de cuisson, vous offrira moins de saveur fumée.

**CONSEIL : Pour de meilleurs résultats, laissez reposer les viandes après la cuisson. Ceci permet aux jus naturels de revenir dans les fibres de la viande, produisant ainsi une coupe plus juteuse et plus savoureuse. Le temps de repos peut n'être que 3 minutes et peut même aller jusqu'à 60 minutes, selon la taille des protéines.**

STYLE DE CUISSON	FUMAGE CHAUD (très faible)	RÔTI (faible)	CUISSON FOUR (moyen)	GRILLAGE (moyen/élevé)
Gamme de températures	93-135 ° C / 200-275 ° F	135-162 ° C / 275-325 ° F	162-190 ° C / 325-375 ° F	204-215 ° C / 400-420 ° F

**DURÉE APPROXIMATIVE DU TEMPS DE CUISSON**

<b>BOEF</b>	Taille	Saignant - 54°C / 130°F	À point - 60°C / 140°F	Bien cuit - 65°C / 150°F
Rôti de bœuf de faux-filet, sans os	2,26 - 2,72 kg / 5 - 6 lbs.		1½ à 2 heures	
Rôti de côtes	5,44 - 6,35 kg / 12 - 14 lbs.		2½ à 2¾ heures	
Saucisse (frais)	Toutes les tailles			4 à 5 heures
Rôti (avec os)	Toutes les tailles	4 à 5 heures		
Côtes	Toutes les tailles	Cuire jusqu'à ce que la viande tombe de l'os (pendant 4 à 6 heures)		
Poitrine	7,25 - 3,62 kg / 16 -18 lbs.	Cuire jusqu'à ce que la température interne atteigne 91°C / 195°F		

<b>PORC</b>	Taille	Réchauffé - 60°C / 140°F	À point - 66°C / 150°F	Bien cuit - 71°C / 160°F
Jambon (cuite)	Toutes les tailles	2 à 2¾ heures		
Jambon (frais)	4,53-5,44 kg / 10-12 lbs.			7 à 8 heures
Saucisse (frais)	Toutes les tailles			4 à 5 heures
Longe de porc	1,36-1,81 kg / 3 - 4 lbs.		1 à 2 heures	2 à 3 heures
Rôti de couronne de côte	1,81-2,26 kg / 4 - 5 lbs.		1½ à 2 heures	2 à 3 heures
Boston Butt (Épaule de porc)	3,62-4,53 kg / 8-10 lbs.			93 - 98°C / 200 - 210°F température interne
Côtes	Toutes les tailles	Cuire jusqu'à ce que la viande tombe de l'os (pendant 4 à 6 heures)		
Côtelette (longe, côte)	Toutes les tailles	Cuire jusqu'à ce que la viande tombe de l'os (pendant 4 à 6 heures)		

<b>AGNEAU</b>	Taille	Saignant - 54°C / 130°F	À point - 60°C / 140°F	Bien cuit - 71°C / 160°F
Rôti (frais)	2,26 - 2,72 kg / 5 - 6 lbs.		5 à 6 heures	

<b>VOLAILLE</b>	Taille	Saignant - 54°C / 130°F	À point - 60°C / 140°F	Bien cuit - 82°C / 180°F
Dinde (entier)	4,53-5,44 kg / 10-12 lbs.			7 à 8 heures
Poulet (entier)	Toutes les tailles			5 à 6 heures
Pilons, poitrines	Toutes les tailles			4 à 5 heures
Petits gibiers à plumes	Toutes les tailles			4 à 5 heures
Canard	1,36-2,26 kg / 3-5 lbs.			5 à 6 heures

<b>POULET</b>	Taille	Saignant - 54°C / 130°F	À point - 60°C / 140°F	Bien cuit - 82°C / 180°F
Entier	Toutes les tailles			5 à 6 heures
Pilons, poitrines	Toutes les tailles			4 à 5 heures

<b>FRUITS DE MER</b>	Taille	Saignant - 54°C / 130°F	À point - 60°C / 140°F	Bien cuit - 82°C / 180°F
Poisson (entier)	Toutes les tailles			2 à 3 heures, jusqu'à ce que le poisson s'émiette
Poisson (filets)	Toutes les tailles			1 à 2 heures, jusqu'à ce que le poisson s'émiette

<b>GIBIER SAUVAGE</b>	Taille	Saignant - 60°C / 140°F	À point - 71°C / 160°F	Bien cuit - 77°C / 170°F
Rôti (frais)	2,26 - 2,72 kg / 5 - 6 lbs.		5 à 6 heures	
Grandes coupes (frais)	3,62-4,53 kg / 8-10 lbs.			7 à 8 heures

# CONSEILS ET TECHNIQUES

Suivez ces conseils et techniques utiles, transmis par des propriétaires de Pit Boss®, notre personnel et clients comme vous, afin de vous familiariser avec votre gril :

## 1. SÉCURITÉ ALIMENTAIRE

- Garder propre tout ce qui se trouve dans la cuisine et dans la surface de cuisson. Utilisez un plat et des ustensiles différents pour la viande cuite et pour préparer ou transporter la viande crue sur le gril. Ceci permettra d'éviter toute contamination croisée des bactéries. Chaque marinade ou sauce pour badigeonner devrait avoir son propre ustensile.
- Gardez les aliments chauds au chaud (au-dessus de 60°C / 140°F) et gardez les aliments froids au froids (moins de 3°C / 37°F).
- Une marinade ne devrait jamais être conservée pour une utilisation ultérieure. Si vous comptez l'utiliser pour la servir avec votre viande, assurez-vous de la faire bouillir avant de servir.
- Les aliments cuits et les salades ne devraient pas être laissés dehors dans la chaleur pendant plus d'une heure. Ne laissez pas les aliments chauds à l'extérieur du réfrigérateur pendant plus de deux heures.
- Décongeler et mariner les viandes par réfrigération. Ne décongelez pas la viande à température ambiante ou sur le comptoir. Les bactéries peuvent grandir et se multiplier rapidement dans les aliments chauds et humides. Lavez-vous bien les mains avec de l'eau tiède savonneuse avant de commencer à préparer votre plat, et après avoir manipulé de la viande fraîche, du poisson et de la volaille.

## 2. PRÉPARATION DE CUISSON

- Soyez préparé. Ceci fait référence à la préparation de la recette, le combustible, les accessoires, les ustensiles et tous les ingrédients dont vous aurez besoin à côté du gril avant de commencer la cuisson. Lire aussi la recette complète, du début à la fin, avant d'allumer le gril.
- Un tapis protecteur pour BBQ peut être très utile. En raison des accidents qui surviennent en raison de la manipulation des aliments et des différents styles de cuisson, ce tapis aidera à protéger les dalles de votre patio ou de votre terrasse contre tout risque de tache de graisse ou déversements accidentels.

## 3. CONSEILS ET TECHNIQUES DE GRILLADE

- Pour infuser plus de saveur fumée et gardez vos viandes juteuses, cuisez-les plus longtemps à une température plus basse (également connu sous le nom de **faible et lent**). La viande fermera ses fibres après avoir atteint une température interne de 49°C (120°F). La pulvérisation en brouillard et l'épandage sont d'excellents moyens permettant d'éviter que la viande ne se dessèche.
- Lorsque vous saisissez vos viandes, cuisinez toujours avec le couvercle fermé. Utilisez toujours un thermomètre à viande pour évaluer la température interne des aliments que vous cuisinez. Fumer la nourriture avec des granulés de bois fait rosir la viande et la volaille. La bande rose (après la cuisson) est aussi appelée **anneau de fumée** et est très appréciée.
- Il est fortement recommandé d'appliquer les sauces à base de sucre vers la fin de la cuisson pour éviter les brûlures et flambées.
- Laissez un espace de dégagement entre les aliments et les extrémités du baril pour une bonne circulation de la chaleur. Beaucoup d'aliments sur une grille de cuisson encombrée prendront plus de temps à cuire.
- Utilisez des pinces avec une longue poignée pour retourner toutes les viandes et des spatules pour retourner les burgers et le poisson. L'utilisation d'un ustensile perçant, comme une fourchette, permet de piquer la viande et de laisser s'évacuer les jus.
- Les aliments dans des casseroles profondes nécessitent plus de temps pour cuire que dans une poêle peu profonde.
- C'est une bonne idée de mettre les aliments grillés sur une grande assiette préchauffée pour garder vos aliments chauds. Les viandes rouges comme les steaks et rôtis seront meilleurs si vous les laissez reposer pendant quelques minutes avant de les servir. Ceci permet aux jus délicieux que la chaleur a fait remonter à la surface de retourner au centre et de lui donner plus de saveur.

# DÉPANNAGE

Un bon nettoyage et un bon entretien, ainsi que le fait d'utiliser du combustible propre, sec et de qualité aidera à prévenir la plupart des problèmes de fonctionnement du gril. Toutefois, quand votre fumoir à granulés de bois Pit Boss® ne fonctionne pas bien ou moins fréquemment, les conseils de dépannage suivants peuvent être utiles. Pour les FAQ, rendez-vous sur [www.pitboss-grills.com](http://www.pitboss-grills.com). Vous pouvez également contacter votre revendeur agréé local Pit Boss® ou contacter le Service à la clientèle pour obtenir de l'aide.

**AVERTISSEMENT : Débranchez toujours le cordon électrique avant d'ouvrir la plaque d'inspection de votre fumoir pour effectuer toute inspection, nettoyage, maintenance ou entretien. Veillez à ce que le fumoir soit complètement froid pour éviter des blessures.**

PROBLÈME	CAUSE	SOLUTION
Aucun témoin lumineux ne s'allume.	Bouton de alimentation	Appuyez sur le bouton Power (Alimentation). Essayez encore une fois et maintenez le bouton appuyé pendant deux secondes pour vérifier la connexion.
	Non branché à la source d'alimentation, la prise DDFT s'est déclenchée	Assurez-vous que le fumoir est branché à une prise d'alimentation qui fonctionne. Réinitialisez le disjoncteur. Vérifiez que le DDFT est porté au minimum à 10 ampères ( <b>voir Diagramme des fils électriques</b> pour accéder aux composants électriques). Vérifiez que tous les raccords de câbles sont connectés fermement et secs.
	Un fusible a grillé sur le tableau de contrôle	Retirez les composants de cuisson de l'armoire principale du fumoir. Tournez l'appareil sur le côté et retirez les vis à l'arrière du panneau de commande. Vérifiez le fusible pour voir s'il y a un fil cassé ou si le fil est devenu noir. Si c'est le cas, remplacez-le manuellement par un nouveau fusible.
	Panneau de commande défectueux	Le panneau de commande doit être remplacé. Contactez le service à la clientèle pour des pièces de rechange.
Le feu dans le pot de combustion ne s'allume pas.	La vis sans fin n'est pas amorcée	Avant que l'appareil ne soit utilisé pour la première fois ou lorsque la trémie est complètement vidée, la vis sans fin doit être amorcée pour permettre aux granulés de remplir le pot de combustion. S'il n'est pas amorcé, l'allumeur s'éteindra avant que les granulés ne s'enflamment. Suivez la <b>procédure d'amorçage de la trémie</b> .
	Moteur de la vis sans fin est coincé	Retirez les composants de cuisson de l'armoire principale du fumoir. Appuyez sur le bouton Power (Alimentation) pour allumer l'unité, tournez le cadran de réglage sur SMOKE, et inspectez le système d'alimentation de la vis sans fin. Confirmez visuellement que la vis sans fin fait tomber des granulés dans le pot de combustion. S'il ne fonctionne pas correctement, contactez le service à la clientèle pour obtenir de l'aide ou des pièces de rechange.
	Panne de l'allumeur	Retirez les composants de cuisson de l'armoire principale du fumoir. Appuyez sur le bouton Power (Alimentation) pour allumer l'unité, tournez le cadran de réglage sur SMOKE et inspectez l'allumeur. Confirmez visuellement que l'allumeur fonctionne en plaçant votre main au-dessus du pot de combustion et en sentant s'il émet de la chaleur. Confirmez visuellement que l'allumeur dépasse environ 13 mm / 0,5 pouces dans le pot de combustion. S'il ne fonctionne pas correctement, suivez la <b>procédure de démarrage manuelle</b> pour continuer à utiliser le fumoir; cependant, communiquez avec le Service à la clientèle pour obtenir de l'aide ou une pièce de rechange.
Points clignotants sur l'écran DEL	L'allumeur est sur « ON » (ALLUMÉ)	Ceci n'est pas une erreur qui a une incidence sur l'unité. Utilisé pour démontrer que l'unité est allumée et est en mode de Mise en marche (l'allumeur est allumé). L'allumeur s'éteindra après 5 minutes. Une fois que les points clignotants disparaissent, l'unité commence à s'ajuster à la température désirée sélectionnée.
La température clignote sur l'écran DEL	La température de l'unité est inférieure à 65°C / 150°F	Ceci n'est pas une erreur qui a une incidence sur l'unité; néanmoins elle est utilisée pour démontrer qu'il y a un risque que le feu pourrait s'éteindre. Vérifiez qu'il y a suffisamment de combustible dans la trémie ou s'il y a obstruction dans le système d'alimentation. Retirez les granulés et suivez les instructions d'entretien et de maintenance. Vérifiez la sonde de gril et suivez les instructions d'entretien et de maintenance si elle est sale. Vérifiez le pot de combustion pour déceler la présence de toute accumulation de cendres ou d'obstructions et suivez les instructions d'entretien et de maintenance en cas d'accumulation de cendres. Contrôlez le ventilateur. Assurez-vous qu'il fonctionne correctement et que l'entrée d'air n'est pas bloquée. Suivez les instructions d'entretien et de maintenance si elle est sale. Vérifiez le moteur de la vis sans fin pour confirmer le fonctionnement (rotation) et assurez-vous qu'il n'y a pas de blocage dans le tube de la vis sans fin.

Code erreur « ErH »	Le fumoir a surchauffé, possiblement en raison d'un feu de graisse ou d'un excès de combustible.	Appuyez et maintenez enfoncé le bouton « Power » (Alimentation) pour éteindre l'unité, et laissez le fumoir refroidir. Suivez les instructions d'entretien et de maintenance. Après l'entretien, enlevez les granulés en trop et confirmez que les parties composantes sont bien placées. Après avoir enlevé les composantes de cuisson, appuyez sur le bouton « Power » (Alimentation) pour allumer l'unité puis sélectionner la température souhaitée. Si un code d'erreur s'affiche encore, veuillez contacter le service à la clientèle.
Code erreur « Er1 »	Le fil de la sonde de grill n'établit pas de connexion	Accédez aux composants électriques sur la base de l'unité ( <b>voir Schéma électrique</b> ) et vérifiez que les fils de la sonde de grill ne sont pas endommagés. Assurez-vous que les connecteurs Molex de sonde de grill sont fermement et correctement connectés au tableau de commande.
Code d'erreur « noP »	Mauvaise connexion au port de connexion	Déconnectez la sonde à viande du port de connexion situé sur le tableau de commande, puis reconnectez. Assurez-vous que l'adaptateur de la sonde thermique est connecté fermement. Vérifiez que l'extrémité de l'adaptateur n'est pas endommagée. Si le message d'erreur apparaît toujours, contactez le service à la clientèle pour des pièces de rechange.
	La sonde thermique est endommagée	Vérifiez si les fils de la sonde thermique sont endommagés. Si c'est le cas, veuillez contacter le service à la clientèle pour des pièces de rechange.
	Panneau de commande défectueux	Le panneau de commande doit être remplacé. Contactez le service à la clientèle pour des pièces de rechange.
Le fumoir n'atteint pas ou n'arrive pas à maintenir une température stable	Le flux d'air dans le pot de combustion est insuffisant	Vérifiez le pot de combustion pour déceler la présence de toute accumulation de cendres ou d'obstructions. Suivez les <b>instructions d'entretien et de maintenance</b> en cas d'accumulation de cendres. Contrôlez le ventilateur. Assurez-vous qu'il fonctionne correctement et que l'entrée d'air n'est pas bloquée. Suivez les <b>instructions d'entretien et de maintenance</b> si elle est sale. Vérifiez le moteur de la vis sans fin pour confirmer le fonctionnement et assurez-vous qu'il n'y a pas de blocage dans le tube de la vis sans fin. Assurez-vous que tout ce qui a été mentionné ci-dessus a été effectué, démarrez le fumoir, réglez la température sur SMOKE e et patientez pendant 10 minutes. Vérifiez que la flamme produite est vive et lumineuse.
	Manque de carburant, Carburant de mauvaise qualité, Blocage dans le système d'alimentation	Vérifiez que le niveau de carburant de la trémie est suffisant et remplissez-le s'il est faible. Si la qualité des pastilles de bois est mauvaise, ou si les pastilles sont trop longues, ceci pourrait entraîner une obstruction du système d'alimentation. Retirez les granulés et suivez les <b>instructions d'entretien et de maintenance</b> .
	Sonde de grill	Vérifiez le statut de la sonde de grill. Suivez les <b>instructions d'entretien et de maintenance</b> si elle est sale. Contactez le service à la clientèle pour des pièces de rechange, en cas d'endommagement.
Le fumoir produit de la fumée excessive ou décolorée	Accumulation de graisse	Suivez les <b>instructions d'entretien et de maintenance</b> .
	Qualité des granulés de bois	Retirez les granulés de bois humides de la trémie. Suivez les <b>instructions d'entretien et de maintenance</b> pour le nettoyage. Remplacez par des granulés de bois secs.
	Le pot de combustion est bloqué	Retirez les granulés de bois humides du pot de combustion. Suivez la <b>procédure d'amorçage de la trémie</b> .
	Entrée d'air insuffisante pour le ventilateur	Contrôlez le ventilateur. Assurez-vous qu'il fonctionne correctement et que l'entrée d'air n'est pas bloquée. Suivez les <b>instructions d'entretien et de maintenance</b> si elle est sale.
Embrassements fréquents	Température de cuisson	Essayez de cuisiner à une température plus basse. La graisse possède un point d'ignition. Gardez la température en-dessous de 176°C / 350°F lorsque vous cuisinez des aliments très gras.
	Accumulation de graisse sur les composantes de cuisson	Suivez les <b>instructions d'entretien et de maintenance</b> .

# DIAGRAMME DES FILS ÉLECTRIQUES

Le système du centre de commande numérique est un matériel technologique hautement sophistiqué et de grande valeur. Pour une protection contre les surtensions et les courts-circuits électriques, consultez le schéma de fil ci-dessous pour vous assurer que votre source d'alimentation est suffisante pour le fonctionnement de l'appareil.

## EXIGENCES ÉLECTRIQUES PB

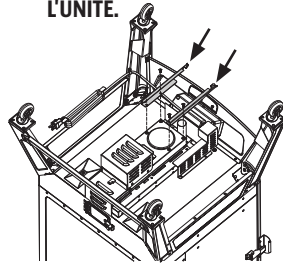
110-120 V, 60 HZ, 250 W, FICHE À 3 BROCHES AVEC MISE À LA TERRE

REMARQUE : Les composants électriques, passés par les tests de sécurité des produits et les services de certification, sont conformes avec une tolérance de test de  $\pm 5$  à 10%.

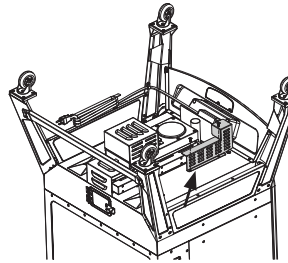
- 1** DÉBRANCHER L'ALIMENTATION AVANT D'EFFECTUER L'ENTRETIEN OU LA MAINTENANCE DE L'UNITÉ.



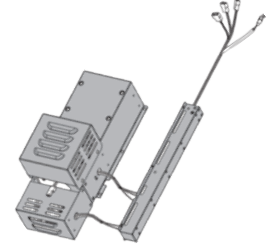
- 2** RETIREZ LES DEUX SUPPORTS DU PLATEAU À GRAISSE DU DESSOUS DE L'UNITÉ.



- 3** ENLEVEZ LE BOÎTIER DES CÂBLES DU DESSOUS DE L'UNITÉ.



- 4** ACCÉDEZ AUX COMPOSANTS DE CÂBLAGE SITUÉS DANS LE BOÎTIER DE LA SONDE DE GRIL.

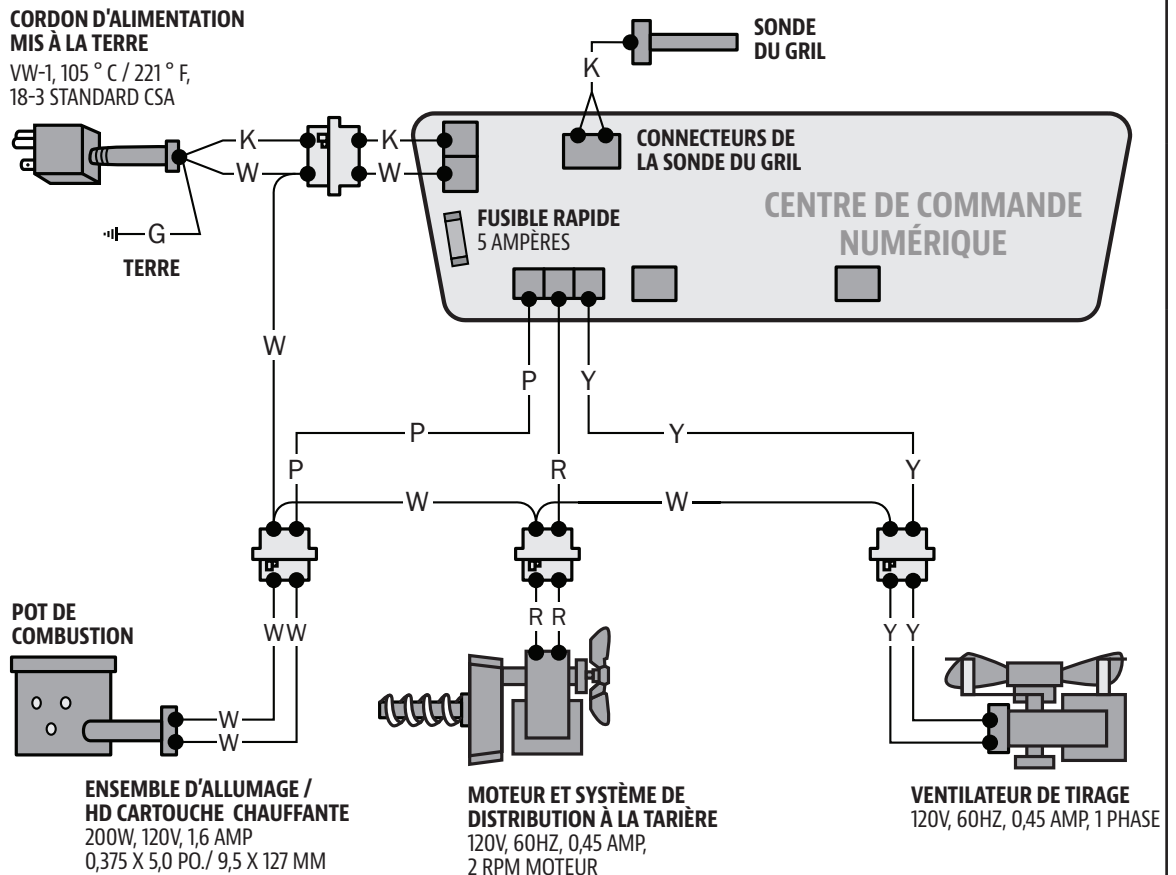


**INDICE DE CONSOMMATION DE CARBURANT:**  
1,1 KG/H  
(2,4 LB/H)

**INDICE**  
W : BLANC  
Y : JAUNE  
P : MAUVE  
R : ROUGE  
K : NOIR  
S : ARGENT

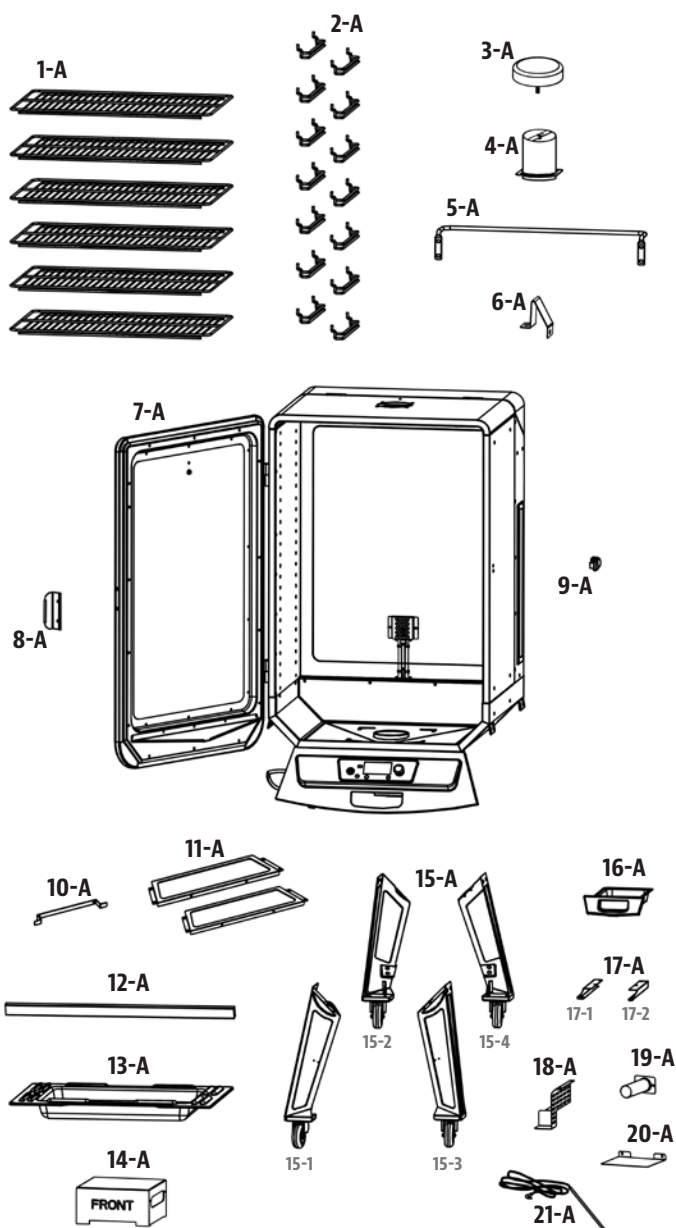
**CORDON D'ALIMENTATION MIS À LA TERRE**

VW-1, 105 ° C / 221 ° F,  
18-3 STANDARD CSA

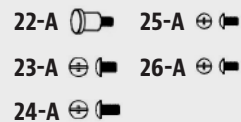


# PIÈCES DE RECHANGE

No.	Description
1-A	Grilles de cuisson (x6)
2-A	Supports de la grille de cuisson (x14)
3-A	Capuchon de cheminée (x1)
4-A	Sortie de la cheminée (x1)
5-A	Poignée arrière (x1)
6-A	Bouchon du couvercle (x1)
7-A	Armoire principale (x1)
8-A	Poignée de porte d'armoire (x1)
9-A	Loquet de porte d'armoire (x1)
10-A	Support de cordon d'alimentation (x1)
11-A	Panneaux de support (x2)
12-A	Barre d'appui (x1)
13-A	Réservoir d'eau (x1)
14-A	Réducteur de flamme (x1)
15-A	Pied de support avec roue (x4)
16-A	Plateau à graisse (x1)
17-A	Supports du plateau à graisse (x2)
18-A	Boîtier des câbles (x1)
19-A	Tube d'évacuation des graisses (x1)
20-A	Écran thermique (x1)
21-A	La sonde thermique (x1)
22-A	Bouton de porte (x1)
23-A	Vis $\frac{1}{4}$ -20x $\frac{1}{2}$ po en acier inoxydable (x12)
24-A	Vis $\frac{1}{4}$ -20x $\frac{5}{8}$ en acier inoxydable (x4)
25-A	Vis #10-24x $\frac{1}{2}$ " (x34)
26-A	Vis #10-24x $\frac{1}{3}$ po (x2)



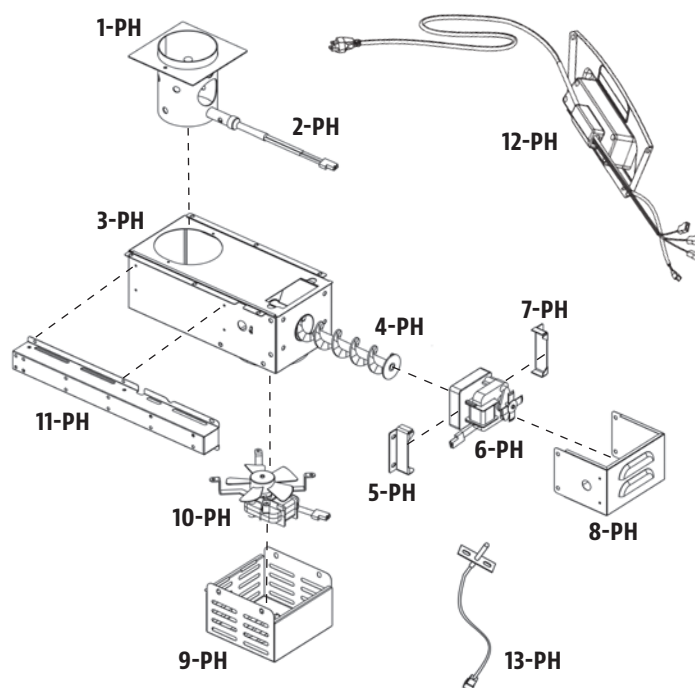
REMARQUE : En raison du développement continu du produit, les pièces peuvent être modifiées sans préavis.





# PIÈCES DE RECHANGE ÉLECTRIQUES

No.	Description
1-PH	Pot de combustion
2-PH	Allumeur
3-PH	Boîtier de la trémie
4-PH	Assemblage du filet de vis sans fin
5-PH	Support gauche du moteur de la vis sans fin
6-PH	Moteur de la vis sans fin
7-PH	Support droit du moteur de la vis sans fin
8-PH	Boîtier du moteur de la vis sans fin
9-PH	Boîtier du ventilateur de combustion
10-PH	Ventilateur de combustion
11-PH	Boîtier de la sonde de grill
12-PH	Panneau de commande
13-PH	Sonde de grill



## GARANTIE

### CONDITIONS

Tous les fumoirs de granulés de bois de Pit Boss® Grills, fabriquées par Dansons, contiennent une garantie limitée à partir de la date de vente par le propriétaire initial. La garantie entre en vigueur à la date d'achat, et une preuve de la date d'achat ou copie de votre achat de vente original est requise pour valider la garantie. Si le client n'est pas en mesure de produire une preuve de l'achat ou si la date de couverture de la garantie est dépassée, il sera tenu de payer les pièces, l'expédition et la main-d'œuvre.

Dansons offre une garantie de cinq ans (5) contre les défauts de fabrication et de fabrication sur toutes les pièces et de cinq ans (5) sur les composants électriques. Dansons garantit que toutes les pièces sont exemptes de défauts de matériaux et de fabrication, pour la durée d'utilisation et le droit de propriété de l'acheteur d'origine. La garantie ne couvre pas les dommages causés par l'usure, tels que les égratignures, les bosses, les bosses, les écailles ou les fissures cosmétiques. Ces modifications esthétiques du fumeur n'affectent pas ses performances. La réparation ou le remplacement d'une pièce ne prolonge pas la garantie limitée au-delà des cinq ans (5) prévus à compter de la date d'achat.

Pendant la période de la garantie limitée, l'obligation de Dansons sera limitée à fournir le remplacement des composants couverts et/ou défectueux. Tant que cela se produit pendant la période de la garantie, Dansons ne vous facturera pas sur la réparation ou le remplacement des pièces retournées, le port-payé, si Dansons détermine que ces pièces se révèlent défectueuses après inspection. Dansons ne sera pas tenu responsable des frais de transport, du coût salarial ou des droits d'exportation. Sauf disposition contraire dans ces conditions de garantie, la réparation ou le remplacement des pièces de la façon et pour la durée fixée ci-dessous, remplira le devoir de toutes les responsabilités et obligations directes et dérivées de Dansons envers vous.

Dansons prend toutes les précautions pour utiliser les matériaux qui retardent la formation de la rouille. Même avec ces garanties, le revêtement protecteur peut être compromis par diverses substances et conditions qui échappent au contrôle de Dansons. Les hautes températures, l'humidité excessive, le chlore, les gaz industriels, les engrais, les pesticides utilisés pour les pelouses et le sel sont quelques-unes des substances pouvant affecter les revêtements métalliques. C'est pour ces raisons que les garanties limitées ne couvrent pas la rouille ni l'oxydation, à moins que le composant du fumoir présente une perte d'intégrité structurelle. Si les scénarios décrits ci-dessus devaient se produire, veuillez vous référer à la section de soin et d'entretien pour prolonger la durée de vie de votre unité. Dansons recommande l'utilisation d'une couverture lorsque le fumoir n'est pas utilisé.

Les garanties s'appliquent à un usage domestique et utilisation normale du fumoir et aucune des garanties limitées ne s'applique à un fumoir utilisé pour des applications commerciales.

## EXCEPTIONS

Il n'existe pas de garantie de performance écrite ou implicite sur les appareils Pit Boss® car le fabricant ne contrôle pas l'installation, le fonctionnement, le nettoyage, l'entretien ou le type de combustible brûlé. La garantie limitée ne s'appliquera pas, et Dansons n'assumera aucune responsabilité, si votre appareil n'a pas été installé, opéré, nettoyé et entretenu conformément aux instructions du fabricant. La combustion de tout autre élément différent des granules de bois de qualité pourrait annuler la garantie. La garantie ne couvre pas les dommages ou ruptures causées par une mauvaise utilisation, mauvaise manutention ou des modifications.

Dansons et les fournisseurs autorisés Pit Boss® déclinent toute responsabilité, légale ou autre, quant aux dommages accidentels ou consécutifs à la propriété ou aux personnes résultant de l'utilisation de ce produit. Si une réclamation est retournée contre Dansons basée sur la violation de cette garantie ou de tout autre type de garantie explicite ou implicite en droit, le fabricant ne sera en aucun cas tenu responsable des dommages-intérêts spéciaux, punitifs ou indirects de quelque nature que ce soit en surplus du prix d'achat original de ce produit. Toutes les garanties du fabricant sont énoncées ici et aucune réclamation ne sera effectuée contre le fabricant par le biais d'une garantie ou de représentation.

Certaines provinces n'autorisent pas l'exclusion ou la limitation des dommages accidentels ou consécutifs, ou les limitations des garanties implicites, de sorte qu'il est possible que les exclusions et limitations énoncées dans cette garantie limitée ne s'appliquent pas à vous. Cette garantie limitée vous donne des droits légaux spécifiques, et vous pourriez aussi avoir d'autres droits légaux qui pourront varier selon l'état ou la province.

## COMMANDE DE PIÈCES DE REMPLACEMENT

Pour commander des pièces de rechange, veuillez communiquer avec votre revendeur local ou visiter notre boutique en ligne à l'adresse suivante : [www.pitboss-grills.com](http://www.pitboss-grills.com)

## APPELEZ LE SERVICE À LA CLIENTÈLE

Si vous avez des questions ou des problèmes, veuillez communiquer avec le Service à la clientèle, du lundi au dimanche, de 4 H à 20 H HP (anglais / français / espagnol).

**Service@pitboss-grills.com | Ligne sans frais : 1-877-303-3134 | Ligne sans frais : 1-877-303-3135**

## SERVICE DE GARANTIE

Appelez votre fournisseur Pit Boss® le plus proche pour une réparation ou un remplacement de vos pièces. Dansons exige une preuve d'achat pour établir une réclamation sous garantie; Conservez donc votre reçu ou facture originale pour référence future. Le numéro de série et de modèle de votre appareil Pit Boss® Grills se trouve sur la trémie. Enregistrez les numéros ci-dessous, car l'étiquette peut s'user ou devenir illisible.

---

MODÈLE

---

NUMÉRO DE SÉRIE

---

DATE D'ACHAT

---

CONCESSIONNAIRE AUTORISÉ

# ACCESSOIRES VENDUS SÉPARÉMENT

Disponible à l'achat séparément. Accessoires non disponibles et fournis par tous les revendeurs Pit Boss® autorisés.

ARTICLE	DESCRIPTION
	<b>COUVERTURE</b> Coupe ajustée, couverture complète. Fait de polyester résistant avec endos de PVC pour une utilisation de longue durée. Résistant à l'eau. Comprend un lacet de serrage pour un resserrement facile
	<b>TAPIS PROTECTEUR POUR BBQ</b> Facile à nettoyer, protection contre les UV. Protection pour votre patio. 132cm x 86cm / 52" x 34"
	<b>JEU D'OUTILS 3 PIÈCES</b> De la préparation à la présentation, vous êtes couvert de ces bases du barbecue. <i>Lave-vaisselle. Acier inoxydable.</i>
	<b>BASCULE PIZZA CUTTER</b> Basculez la lame d'un côté à l'autre pour couper, en veillant à ce que tout reste à la place. <i>Lavage des mains. Acier inoxydable.</i>
	<b>PRESSE À HAMBURGER 3 EN 1</b> Fabriquez des burgers et des curseurs classiques exquis, ou mettez tout en œuvre pour créer des créations farcies qui vous mettront l'eau à la bouche. <i>Lave-vaisselle. Plastique.</i>
	<b>BACON BACON</b> Les bacs à graisse recueillent toute la graisse de bacon, empêchant ainsi les flambées et assurant une cuisson parfaite du bacon. <i>Lave-vaisselle. Revêtement antiadhésif.</i>
	<b>PLATEAU DE DÉGIVRAGE</b> S'accélérez le processus de décongélation sans utiliser de micro-ondes. Décongelez vos aliments deux fois plus vite en utilisant le maillage en aluminium moulé du plateau. <i>Lavage des mains. Fonte d'aluminium.</i>

ARTICLE	DESCRIPTION
	<b>TABLIER POUR LE GRIL</b> Ce tablier ajustable a deux poches pratiques à l'avant qui permettront de tenir les outils du grill. Taille unique. Lavable à la machine.
	<b>GANT DE GRILLADE</b> Manipulez les casseroles et les casseroles en fonte sans hésiter. Résiste à des températures extrêmes pouvant atteindre 246 ° C (475 ° F).
	<b>SAUCES SIGNATURE</b> Une collection de sauces gastronomiques pour préparer et améliorer les saveurs naturelles de votre nourriture.
	<b>ÉPICES SIGNATURE</b> Une collection d'épices gastronomiques pour préparer et améliorer les saveurs naturelles de votre nourriture
	<b>SONDE À VIANDE</b> Lorsqu'il est connecté, la température de la nourriture est affichée par le tableau de commande.
	<b>LAMPE DE GRILLADE LED</b> Comprend 9 ampoules à LED, un collier de serrage et un cou flexible de 12 pouces qui vous permet d'ajuster la visibilité. <i>3 piles AAA requises. Piles non incluses</i>

# RECETTES

## FLÉTAN FUMÉ

4 portions

Saveur de copeaux de bois suggérée : Caryer / Cerisier / Mesquite

### Ingrédients :

900g / 2 lbs de filets de flétan  
125 ml / ½ c. de beurre  
15 ml / 1 c. à s. d'aneth frais

### Instructions :

1. Nettoyez les filets abondamment à l'eau froide et déposez-les sur un essuie-tout en papier jusqu'à ce que l'eau ne soit plus visible.
2. Faire fondre un bâton entier de beurre et saupoudrer une quantité généreuse d'aneth fraîche dans le beurre fondu. Déposez les filets sur du papier d'aluminium et pliez autour des rebords pour contenir le beurre. À l'aide d'un pinceau à badigeonner, badigeonnez les deux côtés du filet de poisson avec le mélange de beurre et d'aneth.
3. **Préchauffer le fumoir, puis réglez à 107°C / 225°F.**
4. Placez le poisson dans le fumoir. Vérifiez les filets toutes les 15 minutes pour voir s'ils ont l'air humides. Badigeonnez du mélange de beurre et d'aneth quand c'est nécessaire. Le poisson devrait commencer à s'effriter après environ 45 minutes.
5. Lorsque le poisson s'effrite très facilement, sortez-le du fumoir et servez.

## POULES DE CORNOUAILLES FUMÉES

4 portions

Saveur de copeaux de bois suggérée : Caryer / Mesquite / Compétition

### Ingrédients :

4 poules de Cornouailles  
750 ml / 3 c. de riz Mandarin  
15 ml / 1 c. à s. d'huile d'olive  
5 ml / 1 c. à t. de paprika fumé  
250 ml / 1 c. de marmelade d'orange

### Instructions :

1. **Préchauffez le fumoir, puis réglez la température à 135-177°C/275-350°F.**
2. Rincez les poules de Cornouailles et essuyez à l'aide d'un papier absorbant. Badigeonnez légèrement les poules avec de l'huile; saupoudrez avec du paprika.
3. Placez les poules de Cornouailles dans le fumoir. Fumez pendant 45 à 60 minutes, jusqu'à ce que la viande soit tendre lorsqu'on la presse.
4. Badigeonnez les poules avec la marmelade à l'orange pendant les 20 dernières minutes de cuisson. Enlevez du fumoir et présentez sur un plateau de service.

### Comment préparer : SAUCE POUR POULET

Si vous aimez utiliser la graisse et les jus qui se sont écoulés pour en faire une sauce onctueuse, alors placez la dinde sur une grille à l'intérieur d'un grand plat à rôtir en aluminium. Ajoutez environ 0,6 cm / ¼ po d'eau ou de bouillon et des épices dans le fond de la poêle. Surveillez les jus, vous devrez peut-être en ajouter plus pendant la cuisson.

## POITRINE DE BOEUF FUMÉE

4 à 6 portions

Saveur de copeaux de bois suggérée : Caryer / Compétition

Une poitrine entière de bœuf pèse environ 7,25 à 3,62 kg / 16 à 18 livres et possède trois parties distinctes : la couronne, le bout et la section plate. Utilisez la section plate car elle est maigre, compacte et produit de très belles tranches lorsque vous la tranchez.

### Ingrédients :

1 Poitrine de bœuf  
2,2-3,6 kg / 5-8 lbs,  
0,6 cm / ¼ po d'épaisseur de graisse  
1 bouteille de moutarde jaune préparée  
75 ml / 5 c. à s. d'assaisonnement  
1 bouteille de sauce au piment fort  
1 paquet de mélange sec de soupe aux oignons  
375 ml / 1 ½ c. de bouillon de bœuf  
40 ml / 8 c. à t. de poivre noir

### Instructions :

1. Déposez une grande pellicule de plastique sur votre station de cuisine. Assez grande pour enrober une poitrine de bœuf. À l'aide d'un couteau aiguisé, faites une marque sur le dessous de la poitrine, une seule fois à contre sens. Ceci vous aidera à couper la poitrine une fois qu'elle est cuite, la coupe à contre sens vous offrira également un morceau de viande tendre qui fond dans la bouche. Le dessous est le côté non-gras, avec la couronne. Enduire avec une généreuse portion de moutarde préparée. Frottez légèrement sur toute la surface. Saupoudrer une bonne quantité d'assaisonnement sur la moutarde, puis frottez délicatement sur toute la surface. Retournez la poitrine de bœuf et répétez le processus. Enroulez la poitrine dans la feuille de plastique et conservez au frigo pendant la nuit ou pour environ 2 à 4 heures.
2. Préparez le mélange de badigeonnage. Mélangez la sauce au chili, le mélange de soupe à l'oignon sec, le bouillon de bœuf et le poivre noir. Laisser reposer.
3. **Préchauffez le fumoir, puis baissez la température à 82-107°C/180-225°F.**
4. Placez la poitrine, côté gras vers le haut, au centre du fumoir préchauffé. Fermez la porte de l'armoire. Faites cuire à fumée chaude (hot smoke) jusqu'à ce que la viande soit tendre, environ 10-12 heures. Badigeonner la poitrine avec le mélange préparé toutes les demi-heures pendant les 3 premières heures.
5. Continuez le processus de fumage lent jusqu'à ce que la température atteigne 60-66°C / 140-150°F. Enlevez la poitrine du fumoir. **Faites monter la température du fumoir à 176°C / 350°F.**
6. Placez la poitrine dans une poche en aluminium double couche. Versez 50 ml / ¼ de tasse de mélange de badigeonnage sur la poitrine dans la poche. Fermez la poche.
7. Déposez la poche délicatement sur le fumoir. Faites fumer pendant 1 à 1 ½ heures.

- Ouvrez la poche et utilisez un thermomètre à viande; La température interne doit atteindre 91°C / 195°F. La poitrine devrait être ferme, mais vous devriez quand même être en mesure de déchirer la viande à l'aide de vos doigts.
- Transférez la viande à un plateau et laissez-la reposer pendant 10 minutes. Coupez des tranches minces à contre sens pour servir.

## RÔTI DE BOEUF FUMÉ

6 à 8 portions

Saveur de copeaux de bois suggérée : Caryer / Pacanier / Compétition

### Ingrédients :

900 g / 2 lbs	de rôti de bœuf de choix 0,9 kg / 2 lbs.
10 gousses	d'ail (hachées)
45 ml / 2 c. à s.	d'assaisonnement
10 ml / 2 c. à t.	de sel
10 ml / 2 c. à t.	de poivre

### Instructions :

- Préchauffer le fumoir, puis réglez à 135°C / 275°F.
- Mettez le côté gras du rôti vers le haut et attachez une extrémité de la ficelle ou ficellez fermement un côté du rôti. Continuez à nouer et à attacher le reste du rôti, en faisant une jolie présentation.
- Rincez le bœuf et essuyez à l'aide d'un papier absorbant.
- Assaisonnez selon votre goût le rôti entier avec de l'ail, du sel, du poivre et de l'assaisonnement. Laissez reposer le rôti pendant 10 minutes pour que l'assaisonnement adhère.
- Placez le rôti dans le fumoir. Fumez pendant 45 à 60 minutes, jusqu'à ce que la température interne atteigne 51 ° C / 125 ° F. Utilisez une sonde à viande pour mieux surveiller le milieu du rôti.
- Retirez soigneusement le rôti du fumoir et couvrez de papier aluminium. La température de la viande continuera à augmenter de 3°C / 5°F pour obtenir une cuisson médium saignante de 54°C / 125°F. Laissez la viande reposer 10 minutes avant de couper les tranches.

## CÔTES FUMÉES

4 à 6 portions

Saveur de copeaux de bois suggérée : Caryer / Pomme / Compétition

### Ingrédients :

1.3-1.8 kg / 3-4 lbs	de côtelettes Travers de porc charnus / Côtes levées de flanc
5 ml / 1 c. à t.	de sel
5 ml / 1 c. à t.	de poivre

### Instructions :

- Préchauffez le fumoir, puis baissez la température à 82-107°C / 180-225°F.
- Retirez les côtes de l'emballage et égouttez tout le liquide, puis lavez-les à l'eau froide.
- Placez sur une planche à découper et enlevez tout excès de graisse ou de peau des côtes. Tournez les côtes de manière à ce que l'os soit vers le haut. Préparez les côtes en enlevant la

couche épaisse de peau (membrane) à l'arrière. Saupoudrez les côtes avec du sel et du poivre, selon votre goût.

- Placez les côtes dans le fumoir de manière à ce que l'os soit vers le bas.
- Au bout d'une heure, retournez les côtes et laissez cuire une heure. Après 2 heures et demie, selon la couleur que vous aimez, versez une bande de 1 pouce de large de votre sauce barbecue préférée sur toute la longueur de la côte et enroulez-la fermement dans une feuille d'aluminium. Remettez-les dans le fumoir et vérifiez toutes les 15 à 20 minutes pour voir si les os des côtes se séparent en utilisant votre doigt pour les séparer. Si elles se séparent facilement, vos côtes sont cuites; la température interne de vos côtes devrait être de 77°C / 170°F.
- Sortez-les du fumoir et laissez reposer sur un plat de service jusqu'à ce qu'elles aient suffisamment refroidies pour être mangées.

### Variante : MÉTHODE STYLE MEMPHIS

Réglez la température du fumoir au maximum (204°C / 400°F). Placez les côtes sur le fumoir et assaisonnez ou frottez avec un assaisonnement sec pendant 5 à 8 minutes. Retirez du fumoir et servez.

## FILET DE PORC FARCI FUMÉ

4 à 8 portions

Saveur de copeaux de bois suggérée : Pomme / Caryer / Cerise

### Ingrédients :

1 fillet	de porc entier 3,6 kg / 8 lbs
1 pot	de sauce
15 ml / 1 c. à s.	de poudre de chili
15 ml / 1 c. à s.	de cassonade
5 ml / 1 c. à t.	de paprika fumé
45 ml / 3 c. à s.	de miel (chaud)
une pincée	de cannelle moulue

### Instructions :

- Préchauffez le fumoir, puis réglez à 107-135°C / 225-275°F.
- Sortez le filet de porc de l'emballage, rincez-le soigneusement avec de l'eau froide et essuyez à l'aide d'un papier absorbant.
- Placez un morceau de film plastique sur une planche à découper, puis placez le filet de porc dessus et coupez la viande aux  $\frac{3}{4}$  dans son épaisseur. Mettez le filet de porc pour la mettre à plat et placez un deuxième film plastique sur le dessus. Utilisez un attendrisseur à viande ou un rouleau à pâtisserie pour battre la viande jusqu'à ce qu'elle soit aplatie.
- Disposez la sauce au centre du filet de porc. Rabattez les côtés et roulez le filet de porc (comme une brioche à la cannelle) avec soin pour répartir la sauce de façon uniforme. En utilisant de la ficelle, attachez le filet de porc aux deux extrémités et au milieu pour bien le fixer.
- Dans un bol, mélangez la poudre de chili, la cassonade, le paprika fumé et la cannelle moulue. Mélangez bien. Badigeonnez le filet de porc avec le miel réchauffé. Saupoudrez le mélange sur tout le filet.
- Lorsque le porc est complètement enrobé, placez-le à l'intérieur du fumoir. Fumez le filet pendant environ 2,5 à 3 heures ou jusqu'à ce que la température interne du porc atteigne 62°C / 145°F.
- Sortez-le du fumoir, coupez et servez immédiatement.

## POULET FUMÉ

2 à 6 portions

Saveur de copeaux de bois suggérée : Caryer / Pomme / Compétition

### Ingrédients :

1	poulet entier 1,8-2,7 kg / 4-6 lbs
45 ml / 3 c. à s.	d'assaisonnement ou de marinade

### Instructions :

1. **Préchauffez le fumoir, puis réglez à 107-135°C / 225-275°F.**
2. Retirez les morceaux de poulet de l'emballage, lavez-les bien et placez-les sur une serviette en papier pour les faire sécher.
3. Versez l'assaisonnement ou la marinade sur les deux côtés des morceaux de poulet.
4. Placez le poulet dans le fumoir, côté poitrine vers le haut. Après 30 minutes, retournez les morceaux. À l'aide de votre sonde à viande, vérifiez la température interne en poussant la sonde dans la viande dans la partie la plus proche de l'os. Quand la température interne atteint 82°C / 180°F, le poulet est cuit.

**CONSEIL :** Vous pouvez badigeonner le poulet de votre sauce barbecue préférée au cours des 15 dernières minutes de cuisson pour ajouter un peu de piquant.

5. À l'aide de pinces, retirez délicatement le poulet du fumoir. Laissez reposer pendant cinq minutes. Découpez le poulet et servez-le.

### VARIANTE : MARINADE DANS LE RÉSERVOIR D'EAU

Suivez la même méthode décrite ci-dessus, mais au lieu d'utiliser de la bière, vous pouvez utiliser votre boisson préférée comme du cola (pas light), du jus de fruit ou de l'eau assaisonnée.

## SAUCISSE FUMÉE AVEC SAUCE CHUTNEY À LA MANGUE

4 à 6 portions

Saveur de copeaux de bois suggérée : Caryer / Pomme / Compétition

### Ingrédients :

0,9 kg / 2 lbs	de saucisse italienne (piquante ou douce)
2	Mangues entières (tranchées finement)
10 ml / 2 c. à t.	de persil frais (haché)
15 ml / 1 c. à s.	de poivron rouge (coupé en dés)
10 ml / 2 c. à t.	de miel
½	Oignon rouge (coupé en dés)
½ bulbe	de fenouil (coupé en dés)
5 ml / 1 c. à t.	de jus de lime
une pincée	de sel

### Instructions :

1. **Préchauffez le fumoir, puis baissez la température à 82-107°C/180-225°F.**
2. Placez les saucisses sur le grilles de cuisson, espacées uniformément. Fumez pendant 25-30 minutes jusqu'à ce qu'elles soient cuites.
3. Combinez tous les ingrédients restants pour fabriquer le chutney. Réfrigérez jusqu'à ce que vous soyez prêt à servir.

4. Retirez les saucisses du fumoir. Coupez la saucisse en diagonale, puis servir avec le chutney sur le côté.

## DINDE ENTIÈRE FUMÉE

Nourrit une petite armée - les restes sont délicieux!

Saveur de copeaux de bois suggérée : Caryer / Cerisier / Compétition

### Ingrédients :

1	dinde entière (Dégelée) 9-11,3 kg / 20-25 lbs
60 ml / 4 c. à s.	d'assaisonnement ou de marinade
5 ml / 1 c. à t.	de paprika fumé
45 ml / 3 c. à s.	beurre

### Instructions :

1. **Préchauffez le fumoir, puis réglez la température à 135-177°C/275-350°F.**
2. Enlevez le cou et les abats de la dinde. Rincez soigneusement la dinde et essuyez à l'aide d'un papier absorbant.
3. Dans un petit contenant, mélangez le beurre, ¼ de l'assaisonnement et le paprika afin de former une pâte. Insérez délicatement votre main entre la peau extérieure et la viande. Frottez la pâte sur la viande.
4. Avec l'assaisonnement restant, frottez la surface extérieure de la dinde.
5. Déposez la dinde, la poitrine vers le haut, au centre du fumoir, et fumez jusqu'à ce que la dinde soit tendre et dorée; la température interne devrait atteindre 82°C/180° F dans la partie la plus épaisse de la cuisse et 77°C/170° F dans la poitrine.
6. Enlevez la dinde, couvrez-la avec une feuille d'aluminium et laissez-la reposer pendant 10 minutes avant de la découper.

### Comment préparer : SAUCE POUR DINDE

Si vous aimez utiliser la graisse et les jus qui se sont écoulés pour en faire une sauce onctueuse, alors placez la dinde sur une grille à l'intérieur d'un grand plat à rôtir en aluminium. Ajoutez environ 0,6 cm / ¼ po d'eau ou de bouillon et des épices dans le fond de la poêle. Surveillez les jus, vous devrez peut-être en ajouter plus pendant la cuisson.



# IMPORTANT

## DO NOT RETURN PRODUCT TO STORE

For all questions, comments, or inquiries, please contact Dansons directly. Our Customer Service department is available Monday through Sunday, 4am - 8pm PST (EN/FR/ES).

TOLL FREE: 1-877-303-3134 | TOLL FREE FAX: 1-877-303-3135

service@pitboss-grills.com


# IMPORTANT


## NE RETOURNEZ PAS LE PRODUIT AU MAGASIN

Pour toute questions, commentaires ou demandes de renseignements, veuillez communiquer avec Dansons directement. Le service à la clientèle est ouvert du lundi au dimanche, de 4 h à 20 h HP (ANG / FR / ES).

NUMÉRO SANS FRAIS : 1-877-303-3134 | TÉLÉCOPIEUR SANS FRAIS : 1-877-303-3135

service@pitboss-grills.com

 **WARNING:** This product can expose you to chemicals including wood dust, which is known to the state of California to cause cancer. Combustion of this product can expose you to chemicals including carbon monoxide, which is known to the state of California to cause birth defects or other reproductive harm. For more information go to [WWW.P65WARNINGS.CA.GOV](http://WWW.P65WARNINGS.CA.GOV)

 **AVERTISSEMENT :** Ce produit peut vous exposer à des produits chimiques incluant la poussière de bois, connue par l'état de Californie pour causer le cancer. La combustion de ce produit peut vous exposer à des produits chimiques incluant le monoxyde de carbone, connu par l'état de la Californie comme causant des anomalies congénitales ou autres effets nocifs sur la reproduction. Pour accéder à d'autres informations, rendez-vous [WWW.P65WARNINGS.CA.GOV](http://WWW.P65WARNINGS.CA.GOV)



780210225UMV

# PITBOSS-GRILLS.COM

MADE IN CHINA | FABRIQUÉ EN CHINE

