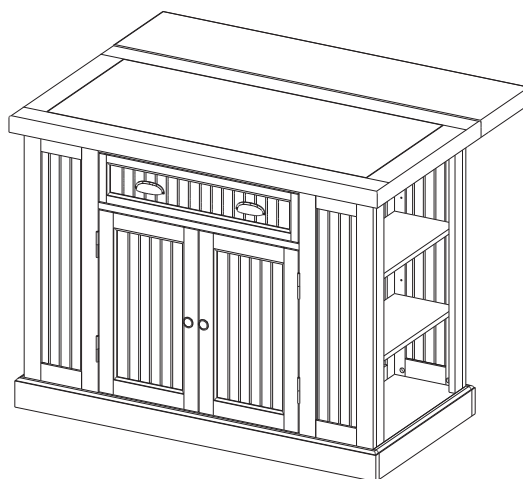


**homestyles**<sup>®</sup>

5022-941

## Kitchen Island



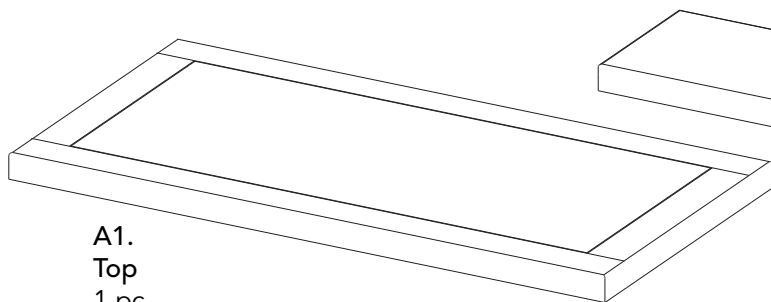
### IMPORTANT

Carefully remove all the parts from the carton and place them individually on a soft cloth to prevent scratches or other damage.

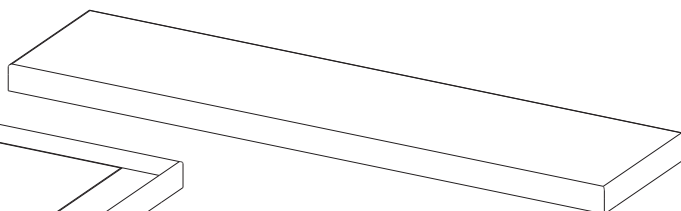
Carefully and strictly follow these assembly instructions to ensure a completed product as designed.

Do not use power tools above 8 volts to assemble.

### Part List



A1.  
Top  
1 pc.



A2.  
Top  
1 pc.

### Care Instructions

Granite is a natural stone material with naturally occurring fissures and cavities. A sealer has been applied to the granite to reduce the absorption of liquids. Even with sealer applied, liquids can absorb into the granite causing permanent stains. Never allow liquids to remain on the top. A stone sealer can be reapplied periodically to the granite to reduce the absorption of liquids.

**For assembly see instructions in carton 5022-942.**

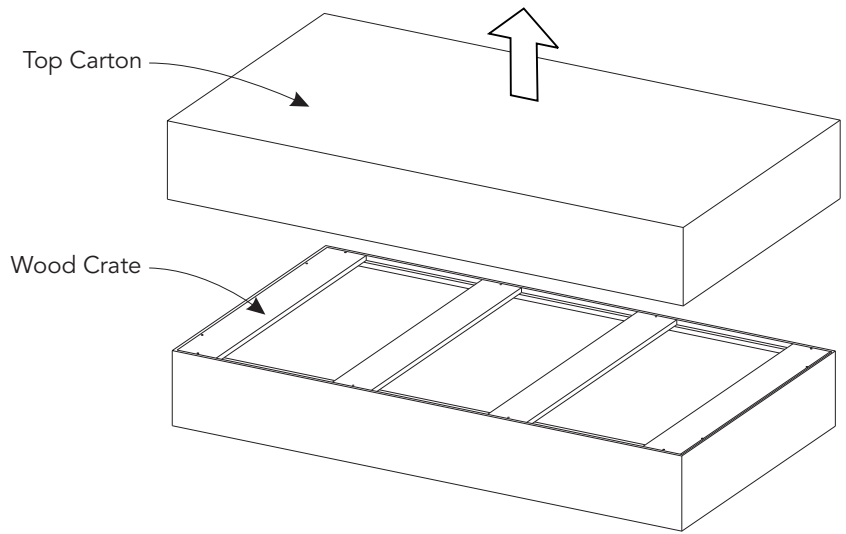
Tools required for unpacking: Phillips screwdriver, hammer

**homestyles** Customer Service: [www.homestylesfurniture.com](http://www.homestylesfurniture.com),  
[servicedesk@homestylesfurniture.com](mailto:servicedesk@homestylesfurniture.com), 888-680-7460

# Unpacking Instructions

## STEP 1

Remove top carton.



## STEP 2

Remove wood screws.

Remove upper wood supports by prying with a hammer. (See Figure 1)

Note: Do not hit top with hammer.

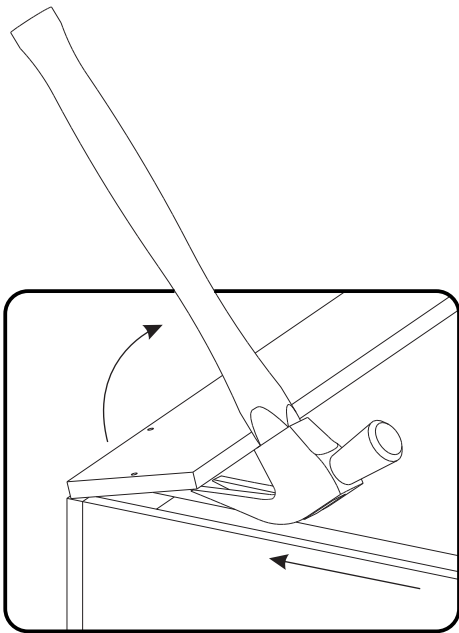
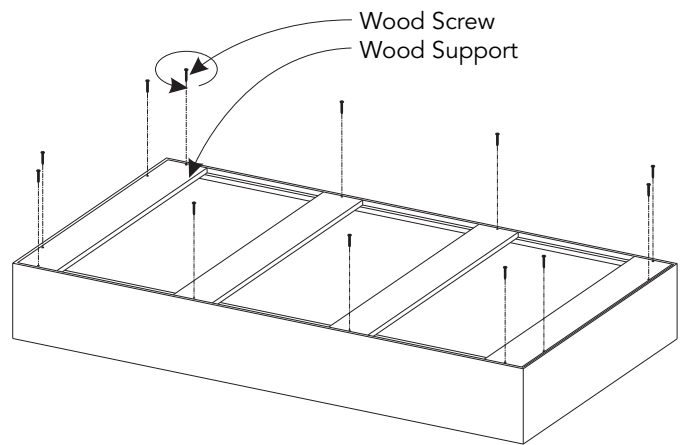
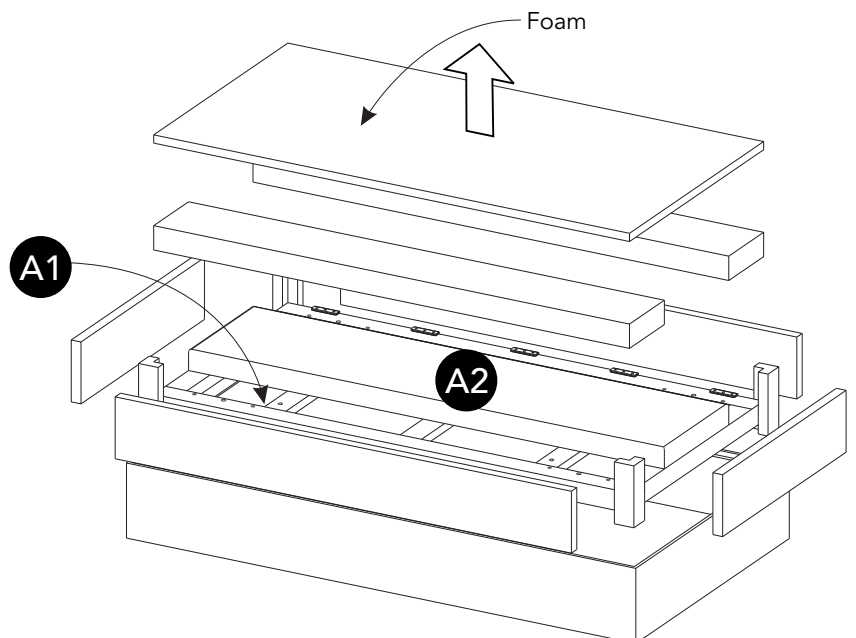
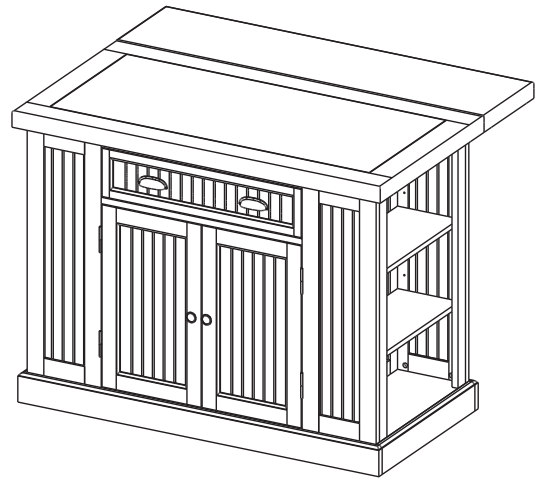


Figure 1

## STEP 3

Remove foam, Top (A2) and Top (A1).





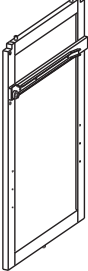

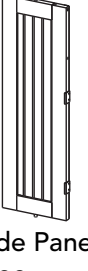

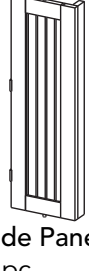





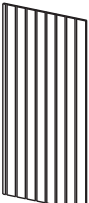
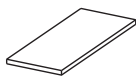
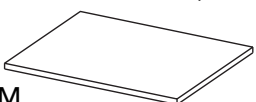

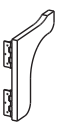
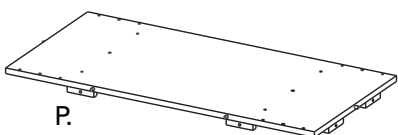
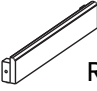
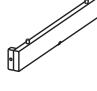

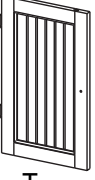

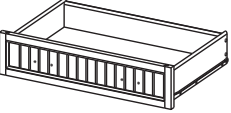
**IMPORTANT**

Carefully remove all the parts from the carton and place them individually on a soft cloth to prevent scratches or other damage.

Carefully and strictly follow these assembly instructions to ensure a completed product as designed.













Do not use power tools above 8 volts to assemble.

**Part List**

 B. Side Panel 1 pc.	 C. Side Panel 1 pc.	 D. Side Panel 1 pc.	 E. Side Panel 1 pc.	 F. Side Panel 1 pc.	 G. Side Panel 1 pc.	 H1. Front Rail 1 pc.
						 H2. Front Rail 1 pc.
						 I. Back Rail 2 pcs.
		 J. Back Upright 1 pc.	 K. Back Panel 2 pcs.	 L. Shelf 4 pcs.	 M. Shelf 1 pc.	 N. Back Support 2 pcs.
						 O. Back Support 1 pc.
						 P. Base 1 pc.
				 Q. Plinth 2 pcs.	 R. Leg Support 1 pc.	 S. Plinth 2 pcs.
						 T. Door 1 pc.
						 U. Door 1 pc.
						 V. Drawer 1 pc.

Refer to later page(s) of these instructions for drawer assembly.

**Hardware List**

 Hex Wrench 1 pc.	 Cam Lock Screw 16 pcs. (+1 extra)	 M6x30 Head Cap Bolt 26 pcs. (+1 extra)	 M3.5x25 Wood Screw (long) 8 pcs. (+1 extra)	 Adjustable Pin 20 pcs. (+1 extra)	 Handle 2 pcs.
 Small Hex Wrench 1 pc.	 Cam Lock 16 pcs. (+2 extra)	 M4x16 Wood Screw for Hinge 27 pcs. (+2 extra)	 M3.5x16 Wood Screw (short) 6 pcs. (+1 extra)	 M4x25 Machine Screw 6 pcs.	 Knob 2 pcs.

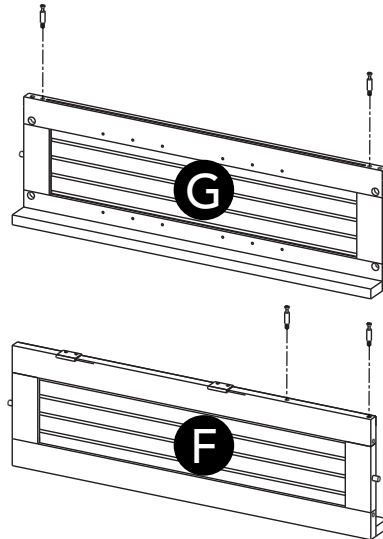
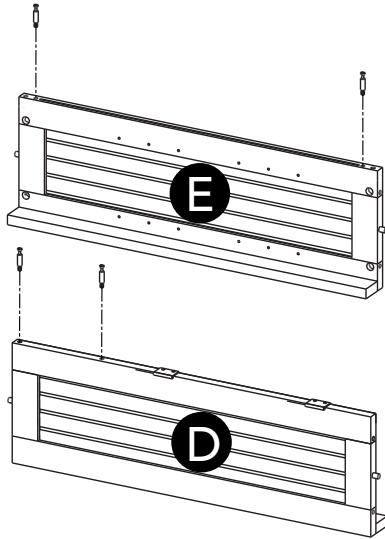
Carton 5022-941 is also needed for assembly.

Tool(s) required for assembly: Phillips screwdriver, Level

## Assembly Instructions 2/7

### IMPORTANT

- Use a soft cloth between these parts and the floor.
- Do not use power tools above 8 volts to assemble.
- Do not tighten all the bolts until each part is properly assembled.
- The unit must be level to work properly. Use the included adjustable levelers to level.
- Keep Hex Wrench as the bolts may need to be tightened in the future.



Cam Lock Screw

### STEP 1

Insert Cam Lock Screws into pre-drilled holes in Side Panels (D), (E), (F) and (G), then tighten. (See Figure 1)

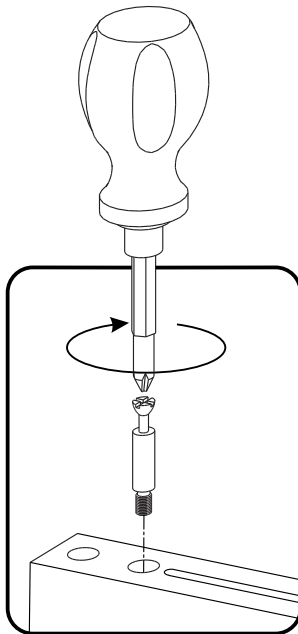


Figure 1

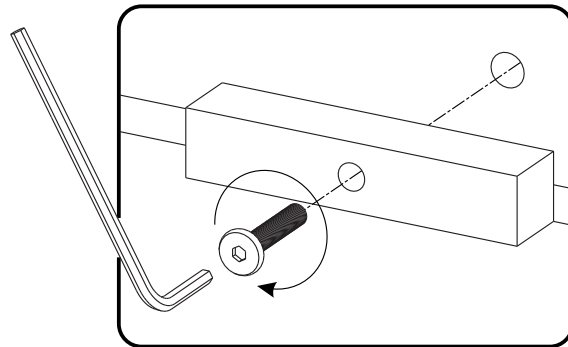
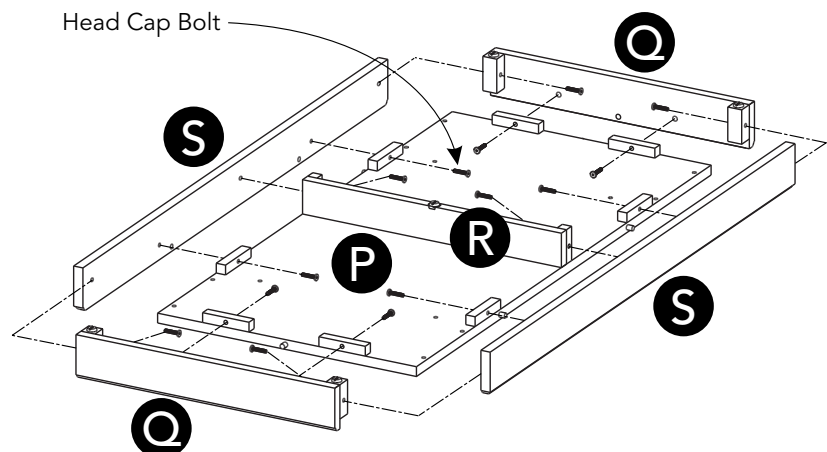


Figure 2

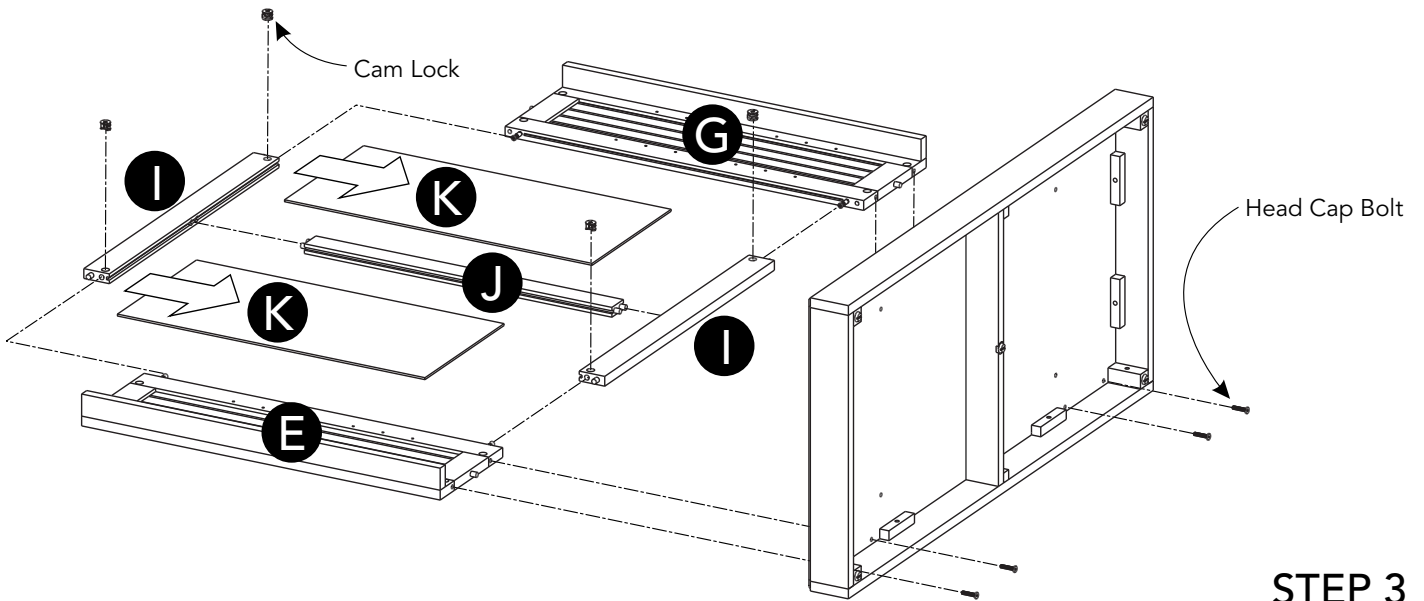
### STEP 2

Attach Plinths (Q) and (S) to Base (P) with Head Cap Bolts. (See Figure 2)

Attach Leg Support (R) to unit with Head Cap Bolts.



## Assembly Instructions 3/7



### STEP 3

Attach Side Panel (E) to unit with Head Cap Bolts.

Attach Back Rail (I) to unit with Cam Lock. (See Figure 3)

Attach Back Upright (J) to unit.

Slide Back Panels (K) into position.

Attach Back Rail (I) to unit with Cam Lock.

Attach Side Panel (G) to unit with Cam Locks and Head Cap Bolts.

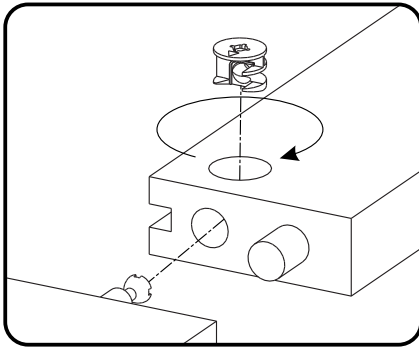
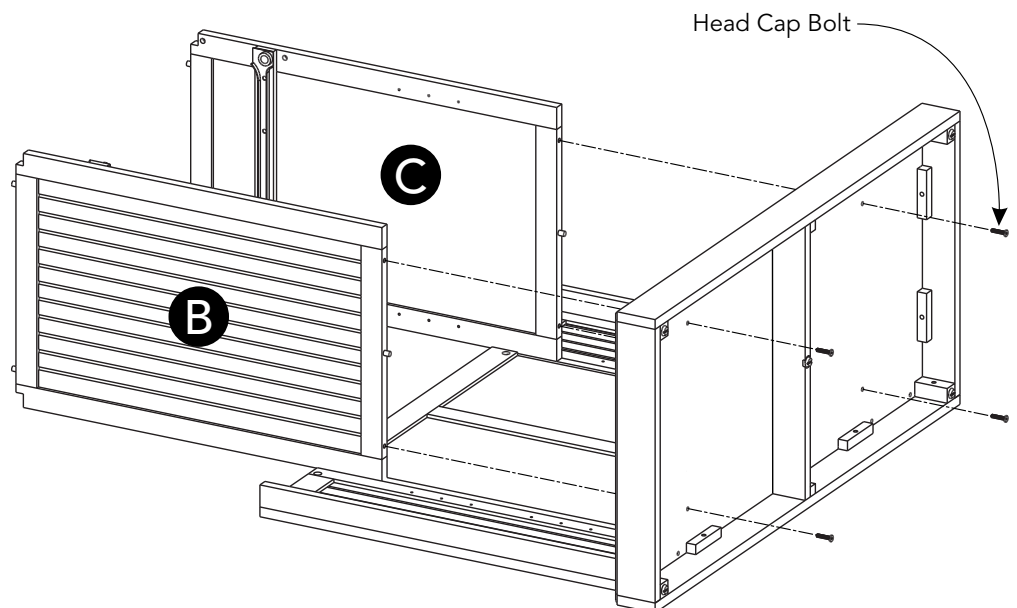


Figure 3



### STEP 4

Attach Side Panels (B) and (C) to unit with Head Cap Bolts.

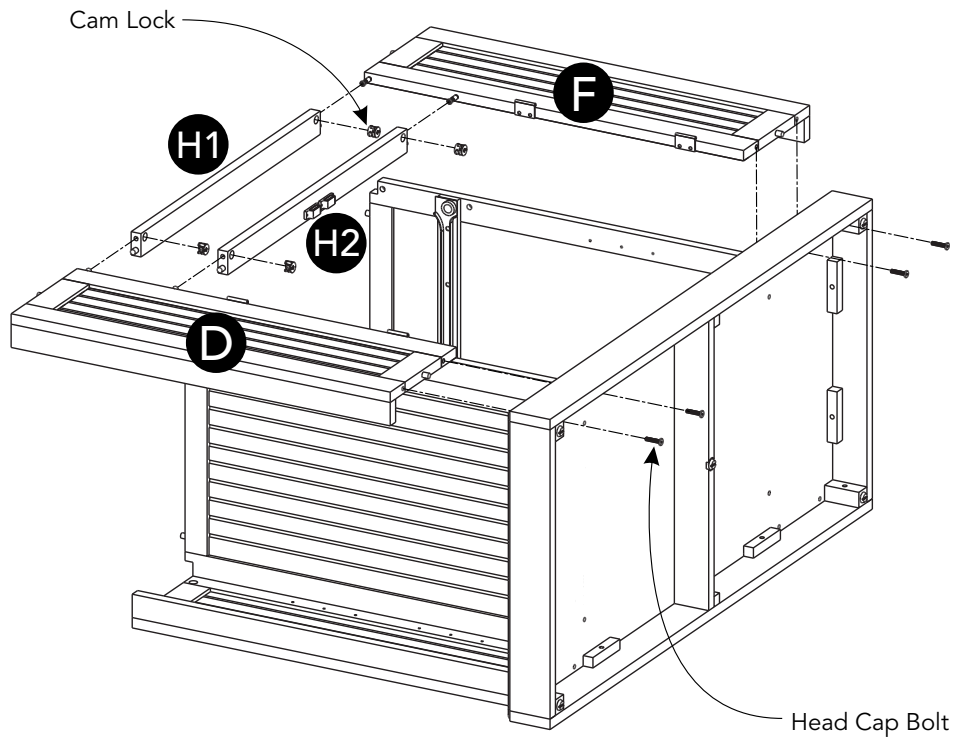
# Assembly Instructions 4/7

## STEP 5

Attach Side Panel (D) to unit with Head Cap Bolts.

Attach Front Rails (H1) and (H2) to unit with Cam Locks.

Attach Side Panel (F) to unit with Head Cap Bolts and Cam Locks.



## STEP 6

Turn unit to its upright position.

Attach Back Supports (N) and (O) to unit with Wood Screws for Hinge.  
(See Figure 4)

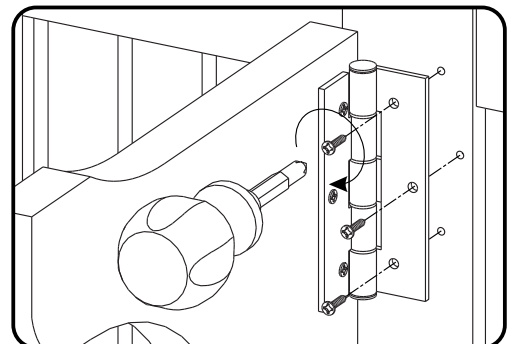
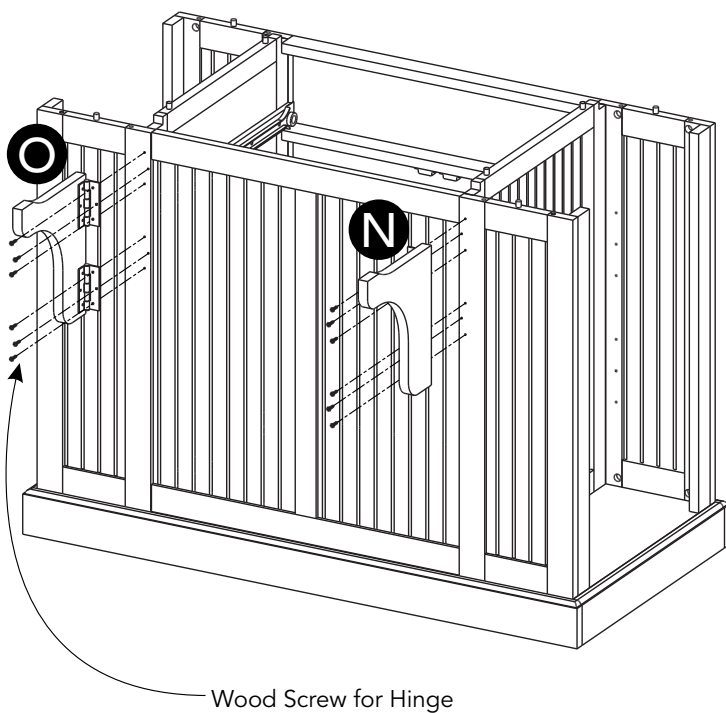
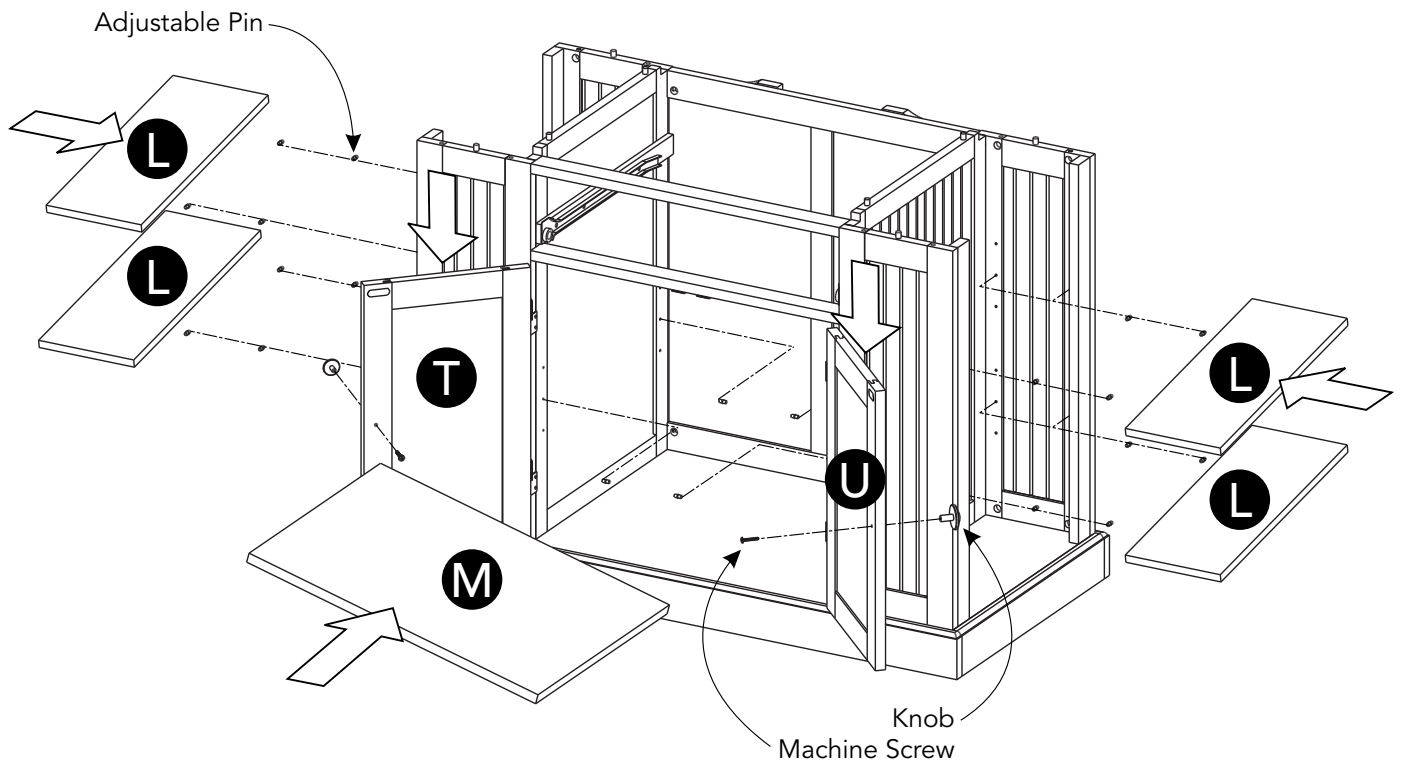


Figure 4

## Assembly Instructions 5/7



### STEP 7

Insert Adjustable Pins into side panels at desired level.

Place Shelves (L) and (M) into position.

Attach Doors (T) and (U) to unit by sliding door hinges into side panel hinges.  
(See Figure 5)

Attach Knobs to Doors (T) and (U) with Machine Screws.  
(See Figure 6)

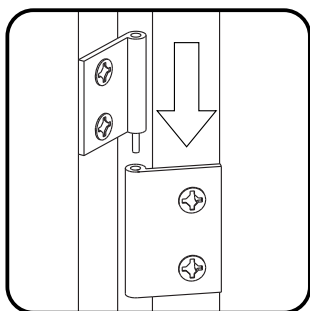


Figure 5

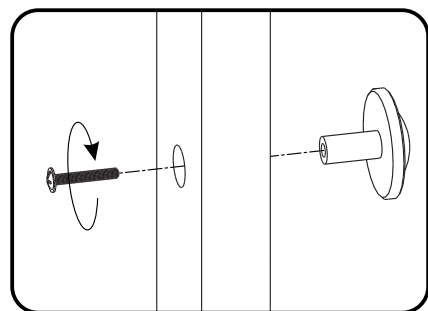
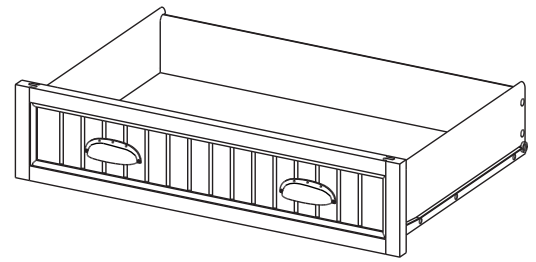
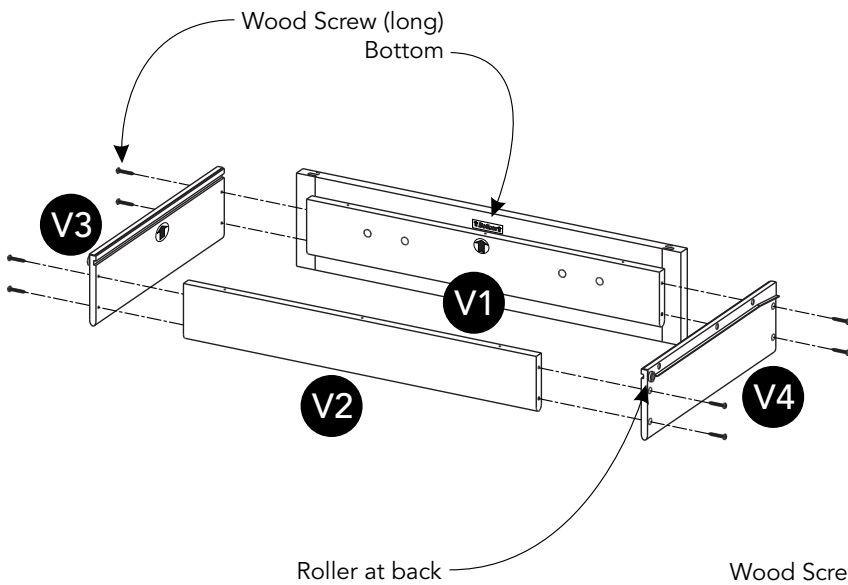


Figure 6

# Assembly Instructions 6/7

## Drawer (V)



### STEP 8

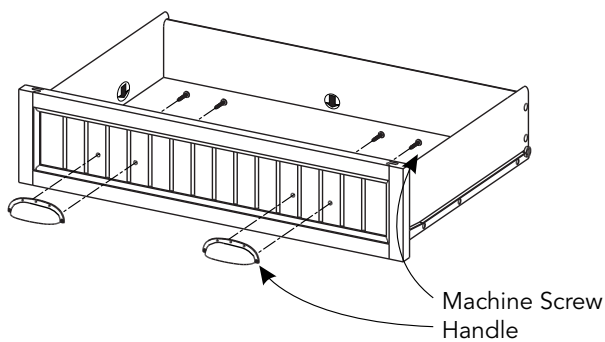
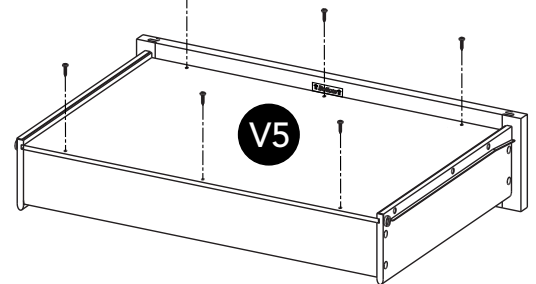
Attach Drawer Front (V1) and Drawer Back (V2) to Drawer Side (V3) with Wood Screws (long).

Attach Drawer Side (V4) to unit with Wood Screws (long).

### STEP 9

Slide Drawer Bottom (V5) into groove.

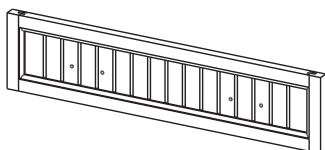
Attach Drawer Bottom (V5) to unit with Wood Screws (short).



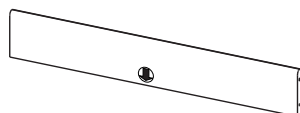
### STEP 10

Attach Handles with Machine Screws.

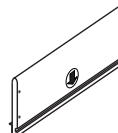
## Part List



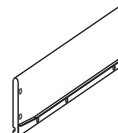
V1.  
Drawer Front  
1 pc.



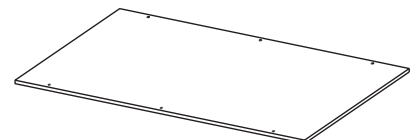
V2.  
Drawer Back  
1 pc.



V3.  
Drawer Side  
1 pc.



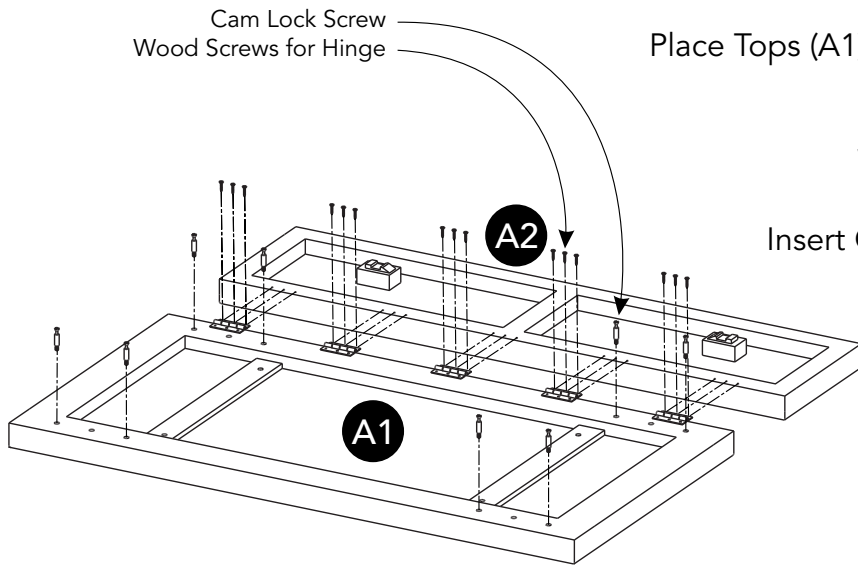
V4.  
Drawer Side  
1 pc.



V5.  
Drawer Bottom  
1 pc.



## STEP 11



Place Tops (A1) and (A2) upside down on a soft cloth.

Attach Top (A2) to Top (A1) with Wood Screws for Hinge. (See Figure 7)

Insert Cam Lock Screws into pre-drilled holes in Top (A1), then tighten.

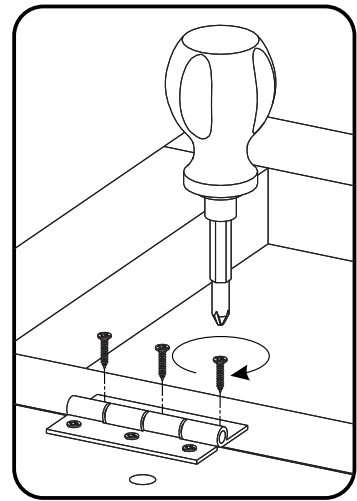


Figure 7

## STEP 12

Attach top unit to unit with Cam Locks.

Slide Drawer (V) into position.

Level unit by adjusting the adjustable levelers on bottom of unit. (See Figure 8)

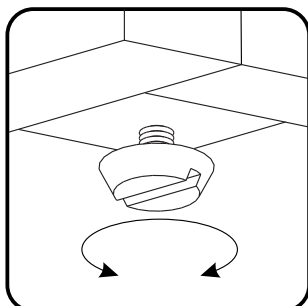
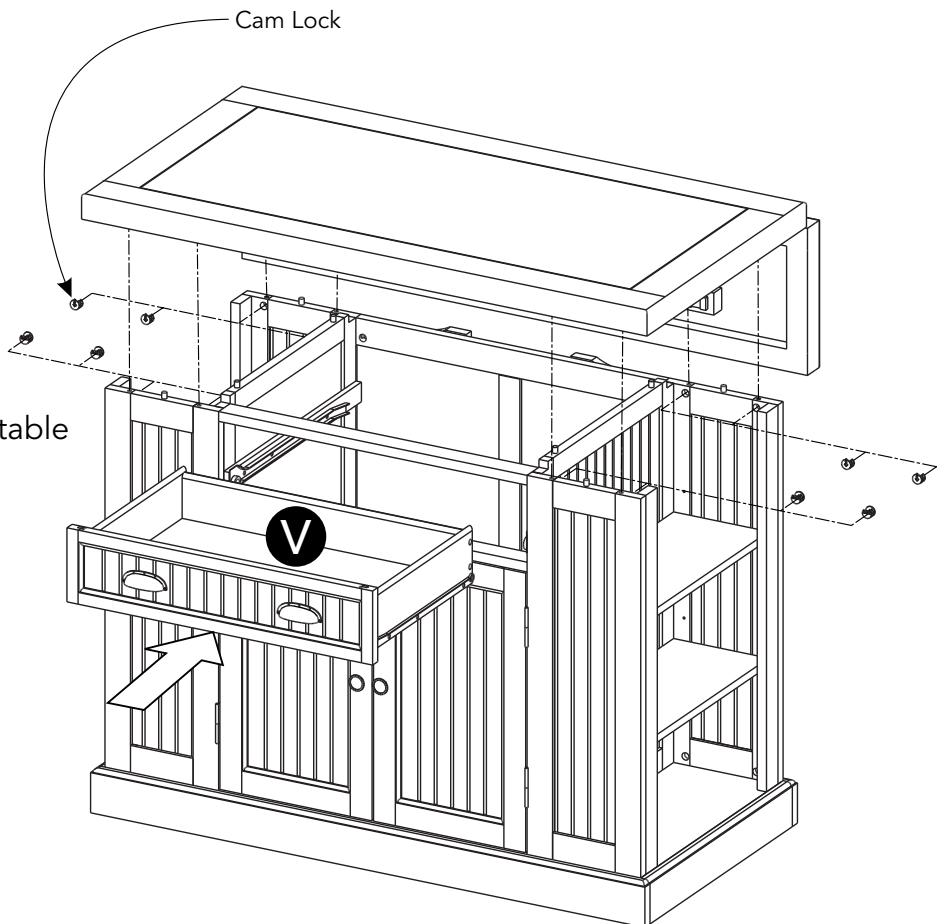


Figure 8



# CARE INSTRUCTIONS

## NEVER

allow liquids to remain on furniture.  
Absorption causes parts to warp  
and split and finishes to delaminate.

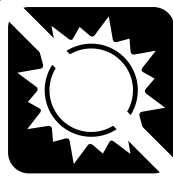
## NEVER

use glass cleaners on  
finished furniture. Ammonia  
chemically attacks the finish.



Do not use power tools  
above 8 volts to assemble.

**PREVENT  
CRACKING**



Do not place  
in direct sunlight.

**PREVENT  
FADING**



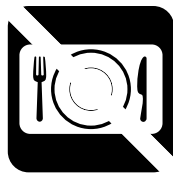
Do not write  
directly on surface.

**PREVENT  
MARKING**



Do not place hot  
objects on surface.

**PREVENT  
FINISH DAMAGE**



Do not use rubber  
based placemats.

**PREVENT  
DISCOLORING**



Do not use commercial  
waxes and polishes.

**PREVENT  
YELLOWING**

## CLEAN

with a soft cloth moistened  
in lukewarm soap and water.  
Buff with a dry clean cloth.



**homestyles** will provide replacements free of charge for missing or damaged parts within 30 days of purchase. Digital images of the defective parts may be required. If the product was not purchased from an authorized retailer, **homestyles** is under no obligation to provide replacement parts. Parts are not available for fully assembled items nor are parts available for sale. Replacements for missing or damaged parts may be requested via contact info below.

**homestyles** Customer Service: [www.homestylesfurniture.com](http://www.homestylesfurniture.com),  
[servicedesk@homestylesfurniture.com](mailto:servicedesk@homestylesfurniture.com), 888-680-7460