

LEVI /MADELEINE/ROYAL/MELINA PLATFORM BED

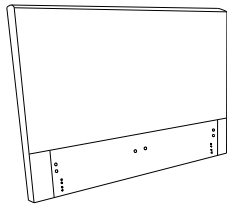
FULL / QUEEN SIZE ASSEMBLY INSTRUCTIONS



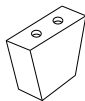
PARTS AND FITTING PACKAGING DETAIL

BOX #1

- P1. HEADBOARD 1 PC
- P2. HEADBOARD LEG 2 PCS



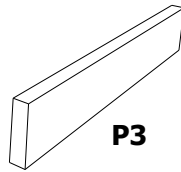
P1



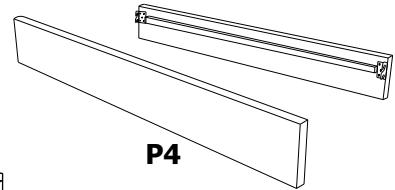
P2

BOX #2

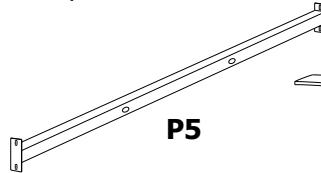
- P3. FOOTBOARD 1 PC
- P4. SIDE RAIL 2 PCS
- P5. CENTER SLAT SUPPORT 1 PC
- P6. SLAT 26 PCS
- P7. FOOTBOARD LEG 2 PCS
- P8. SIDE RAIL SLAT CLIP 26 PCS
- P9. CENTER SUPPORT SLAT CLIP 13 PCS
- P10. CENTER SUPPORT LEG 2 PCS



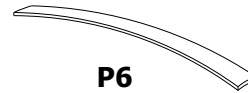
P3



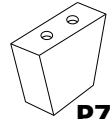
P4



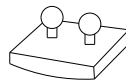
P5



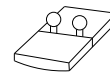
P6



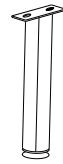
P7



P8

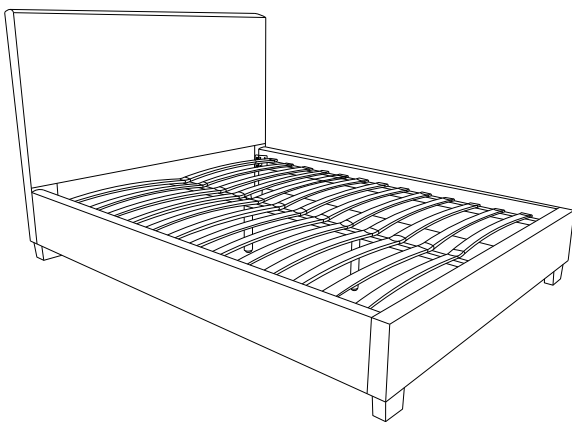


P9



P10

GENEVA BED ASSEMBLED



HARDWARE* PACKED IN BOX #1

A1	ALLEN KEY 5/16"	1 PC	A2	ALLEN BOLT 5/16"*3.25"	4 PCS	A3	FLAT WASHER 5/16"	4 PCS	A4	LOCK WASHER 5/16"	4 PCS
A5	ALLEN KEY 1/4"	1 PC	A6	ALLEN BOLT 1/4"*1"	8 PCS	A7	FLAT WASHER 1/4"	8 PCS	A8	LOCK WASHER 1/4"	8 PCS

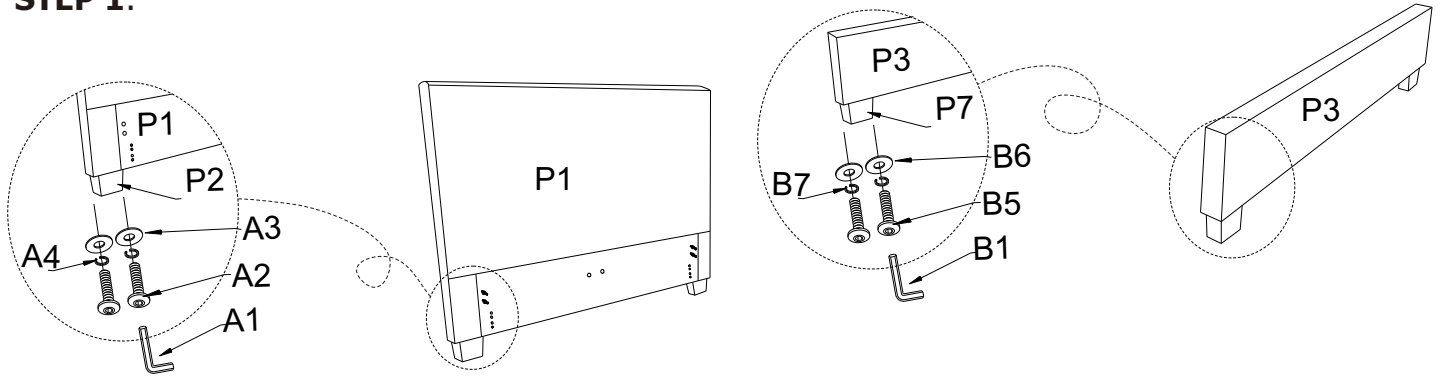
HARDWARE* PACKED IN BOX #2

B1	ALLEN KEY 5/16"	1 PC	B2	SPANNER 5/16"	1 PC	B3	ALLEN BOLT 5/16"*1"	4 PCS	B4	ALLEN BOLT 5/16"*2.5"	4 PCS
B5	ALLEN BOLT 5/16"*3.25"	4 PCS	B6	FLAT WASHER 5/16"	16 PCS	B7	LOCK WASHER 5/16"	12 PCS	B8	HEX NUT 5/16"	4 PCS

UPDATED : APRIL 21ST, 2022

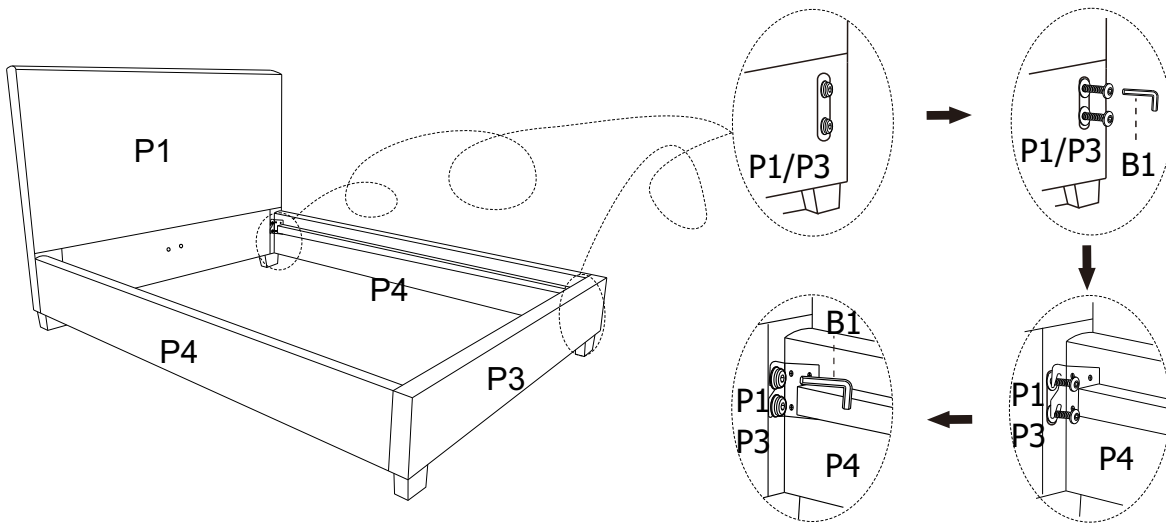


STEP 1:



STEP 2 :

LOOSEN THE PRE-INSTALLED BOLTS ON HEADBOARD (P1) & FOOTBOARD (P3). CONNECT THE HOOKS ON THE ENDS OF THE SIDE RAIL (P4) TO THE HEADBOARD & FOOTBOARD BOLTS. TIGHTEN THE PRE-INSTALLED BOLTS USING ALLEN KEY (B1).

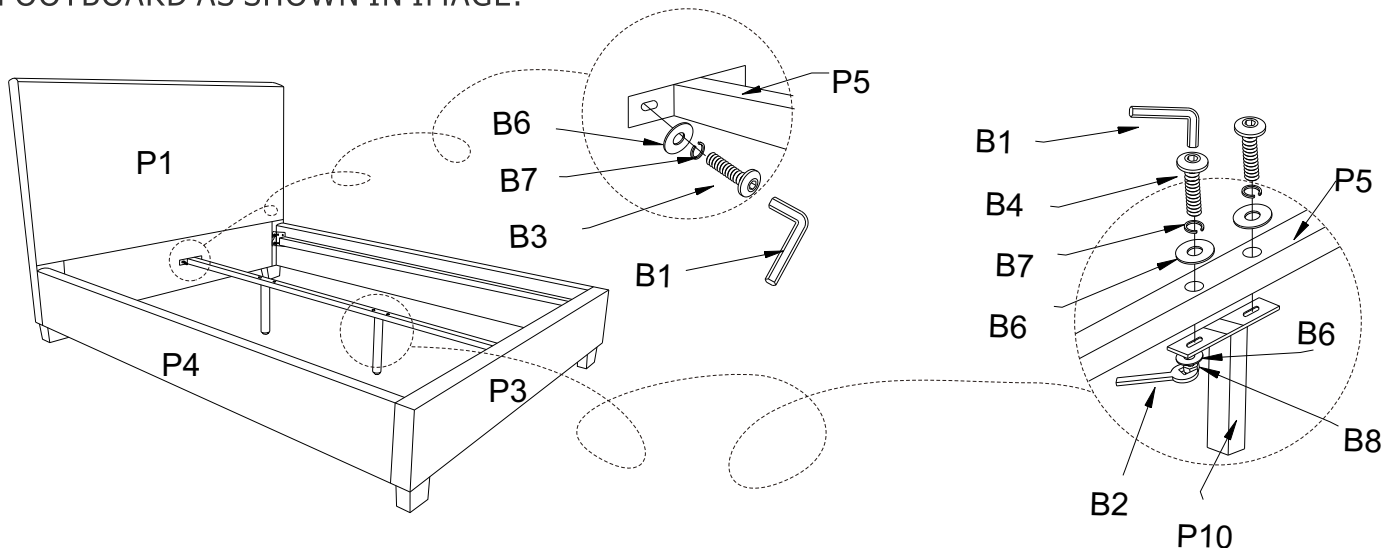


STOP

- IF USING BED WITH AN ADJUSTABLE MATTRESS BASE, SKIP STEPS 3,4& 5 AND REFERENCE APPENDIX A: ADJUSTABLE MATTRESS BASE ASSEMBLY SUPPLEMENT.
- IF USING BED FRAME WITH STANDARD BOX SPRING OR FOUNDATION, CONTINUE TO STEP 3.

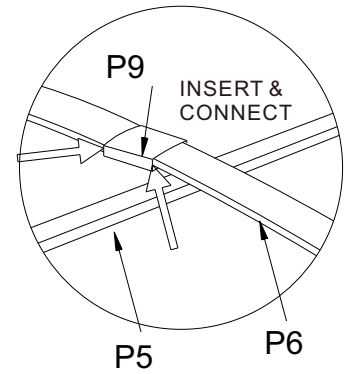
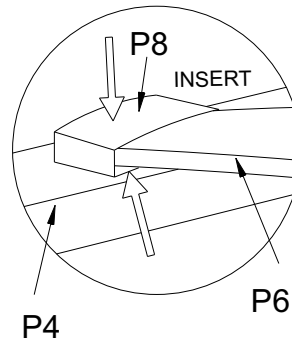
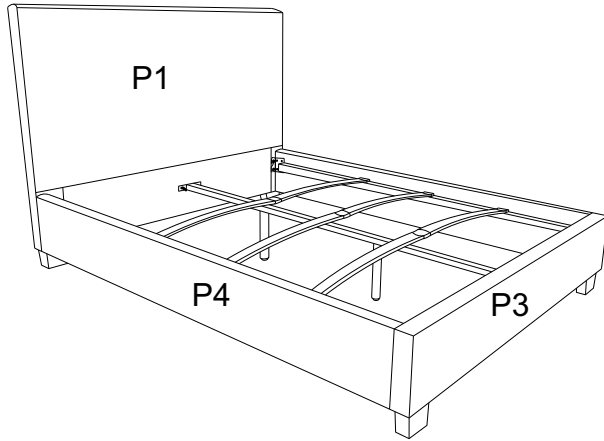
STEP 3 :

CONNECT THE CENTER SLAT SUPPORT WITH SUPPORT LEGS (P5 & P10) TO THE HEADBOARD & FOOTBOARD AS SHOWN IN IMAGE.



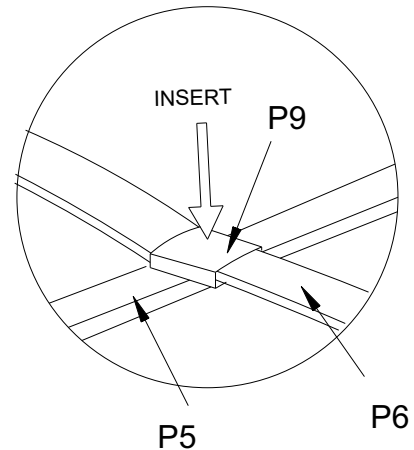
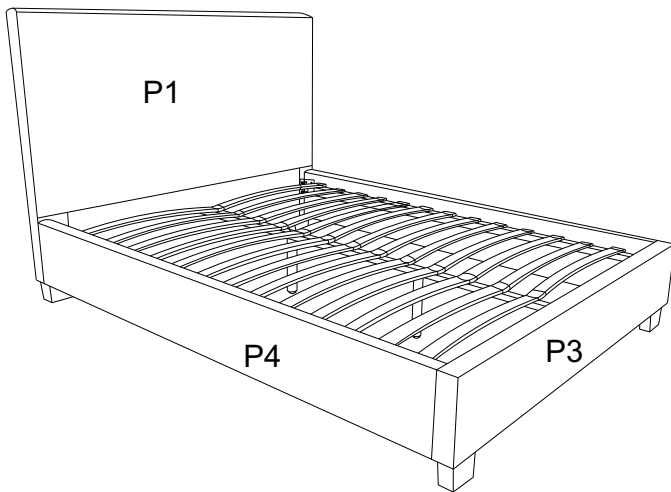
STEP 4 :

ATTACH SIDE RAIL SLAT CLIPS (P8) TO SIDE RAIL. INSERT SLATS (P6) INTO SIDE RAIL CLIPS THEN CONNECT THE SLAT SECTIONS WITH CENTER SUPPORT SLAT CLIPS (P9).



STEP 5 :

ATTACH CENTER SUPPORT CLIPS (P9), WITH SLATS INSERTED, INTO CENTER SLAT SUPPORT.

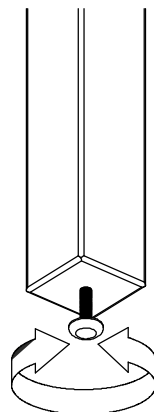


INSTRUCTIONS FOR ADJUSTING LEVELERS :

POSITION THE BED IN YOUR ROOM. LOCATE LEVELERS UNDER EACH SUPPORT LEG (P10).

TURN COUNTER-CLOCKWISE TO EXTEND, CLOCKWISE TO RETRACT.

ADJUST LEVELERS UNTIL EACH LEG SUPPORT IS APPLYING EQUAL UPWARD PRESSURE ON THE CENTER SLAT.



MAINTENANCE INSTRUCTIONS :

- REMOVE BOX SPRING AND MATTRESS BEFORE MOVING YOUR BED.
- LIFT YOUR BED WHEN MOVING IT. DRAGGING CAN DAMAGE CENTER SUPPORT.
- READJUST LEVELERS AFTER MOVING YOUR BED.

GENEVA BED FULL/QUEEN SIZE ASSEMBLY INSTRUCTIONS



APPENDIX A:ADJUSTABLE MATTRESS BASE ASSEMBLY SUPPLEMENT

AN ADJUSTABLE MATTRESS BASE IS A FREESTANDING MATTRESS SUPPORT THAT SITS WITHIN THE PERIMETER OF THE BED FRAME.

IF USING THIS BED FRAME WITH A STANDARD BOX SPRING OR FOUNDATION THESE INSTRUCTIONS DO NOT APPLY.

PRE-ASSEMBLED SIDE RAIL CLEATS OBSTRUCT ADJUSTABLE BASE INSTALLATION AND OPERATION. FOLLOW THESE INSTRUCTIONS TO REMOVE THEM.

WARNING!

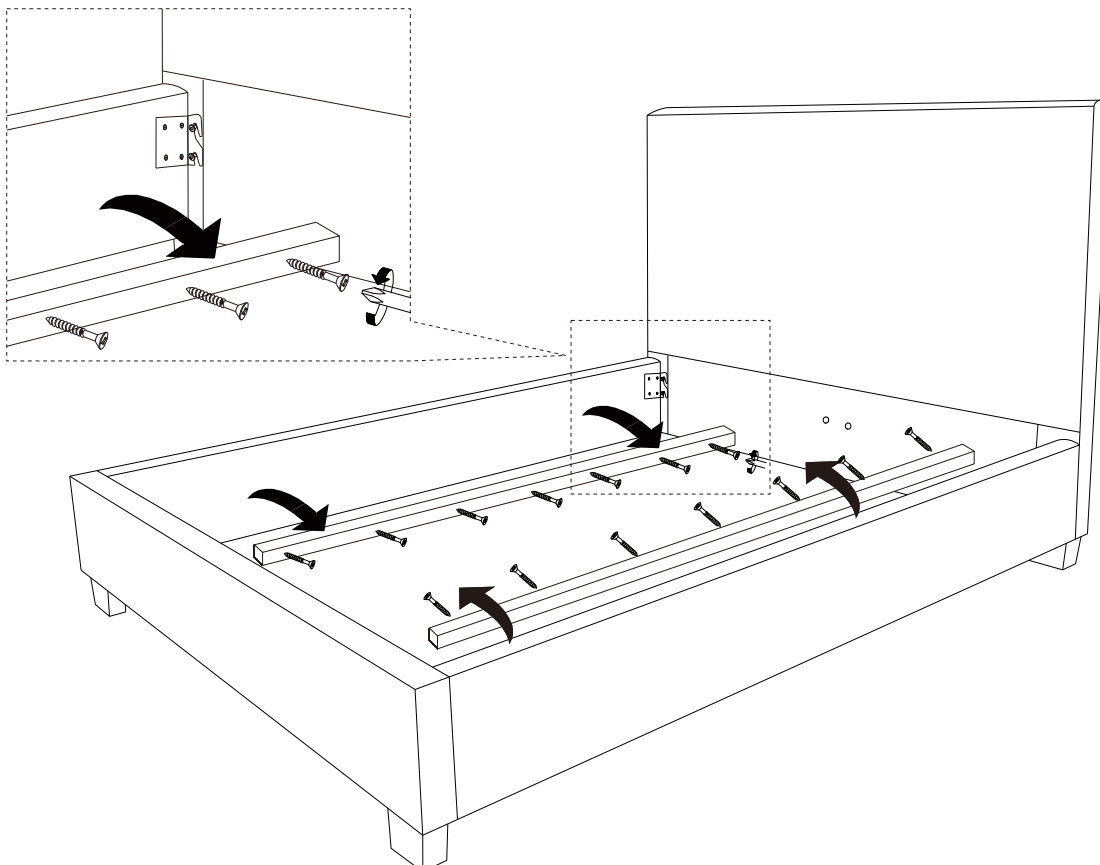
SIDE RAIL CLEATS ARE HELD IN PLACE USING PHILLIPS HEAD SCREWS. ONCE THEY ARE REMOVED THE USER WILL NOT BE ABLE TO SAFELY RE-INSTALL THE SIDE RAIL CLEATS FOR FUTURE USE WITH A STANDARD BOX SPRING OR FOUNDATION.

THE FOLLOWING PARTS ARE NOT REQUIRED FOR ADJUSTABLE MATTRESS BASE INSTALLATION:

P5. CENTER SLAT SUPPORT	1 PC
P6. SLAT	26 PCS
P8. SIDE RAIL SLAT CLIP	26 PCS
P9. CENTER SUPPORT SLAT CLIP	13 PCS
P10. CENTER SUPPORT LEG	2 PCS

STEP 1 :

USE A PHILLIPS HEAD SCREWDRIVER (NOT PROVIDED) TO UNSCREW THE PHILLIPS SCREWS AND REMOVE THE PRE-ASSEMBLED SIDE RAIL CLEATS.



LEVI /MADELEINE/ROYAL/MELINA PLATFORM BED

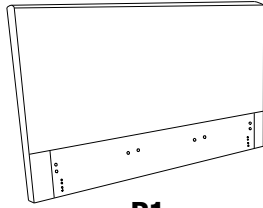
C. KING/E. KING ASSEMBLY INSTRUCTIONS



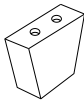
PARTS AND FITTING PACKAGING DETAIL

BOX #1

- P1. HEADBOARD 1 PC
- P2. HEADBOARD LEG 2 PCS



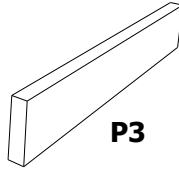
P1



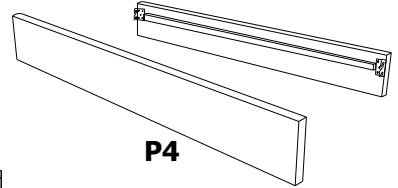
P2

BOX #2

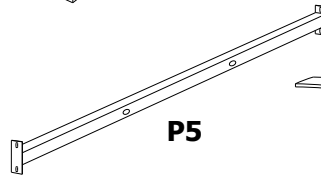
- P3. FOOTBOARD 1 PC
- P4. SIDE RAIL 2 PCS
- P5. CENTER SLAT SUPPORT 2 PCS
- P6. SLAT 39 PCS
- P7. FOOTBOARD LEG 2 PCS
- P8. SIDE RAIL SLAT CLIP 26 PCS
- P9. CENTER SUPPORT SLAT CLIP 26 PCS
- P10. CENTER SUPPORT LEG 4 PCS



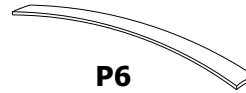
P3



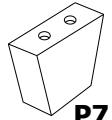
P4



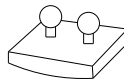
P5



P6



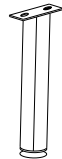
P7



P8

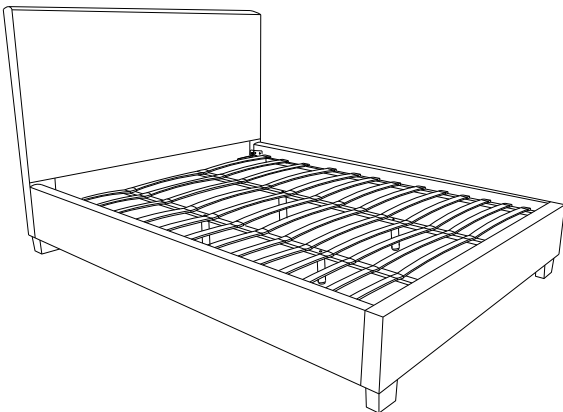


P9



P10

GENEVA BED ASSEMBLED



HARDWARE* PACKED IN BOX #1

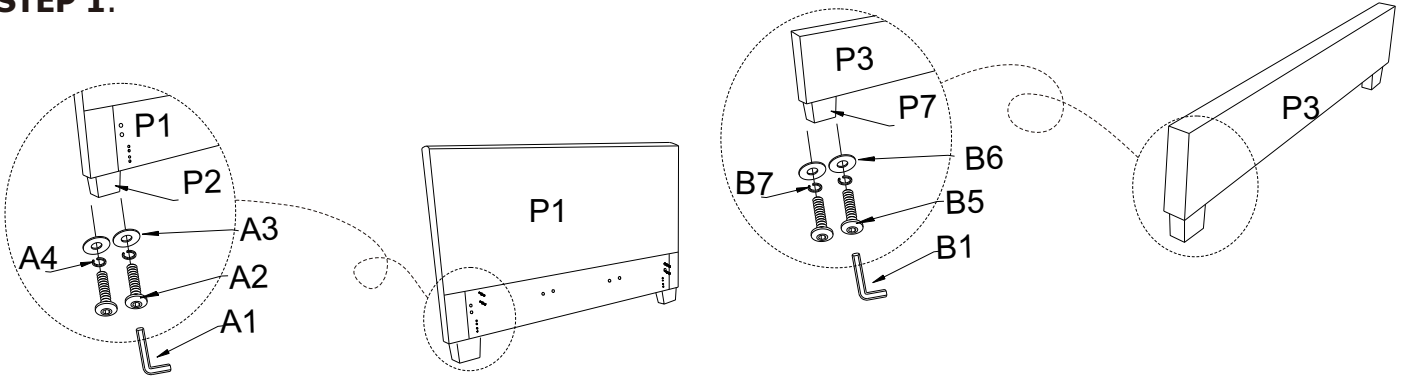
A1	ALLEN KEY 5/16"	1 PC	A2	ALLEN BOLT 5/16"*3.25"	4 PCS	A3	FLAT WASHER 5/16"	4 PCS	A4	LOCK WASHER 5/16"	4 PCS
A5	ALLEN KEY 1/4"	1 PC	A6	ALLEN BOLT 1/4"*1"	8 PCS	A7	FLAT WASHER 1/4"	8 PCS	A8	LOCK WASHER 1/4"	8 PCS

HARDWARE* PACKED IN BOX #2

B1	ALLEN KEY 5/16"	1 PC	B2	SPANNER 5/16"	1 PC	B3	ALLEN BOLT 5/16"*1"	8 PCS	B4	ALLEN BOLT 5/16"*2.5"	8 PCS
B5	ALLEN BOLT 5/16"*3.25"	4 PCS	B6	FLAT WASHER 5/16"	28 PCS	B7	LOCK WASHER 5/16"	20 PCS	B8	HEX NUT 5/16"	8 PCS

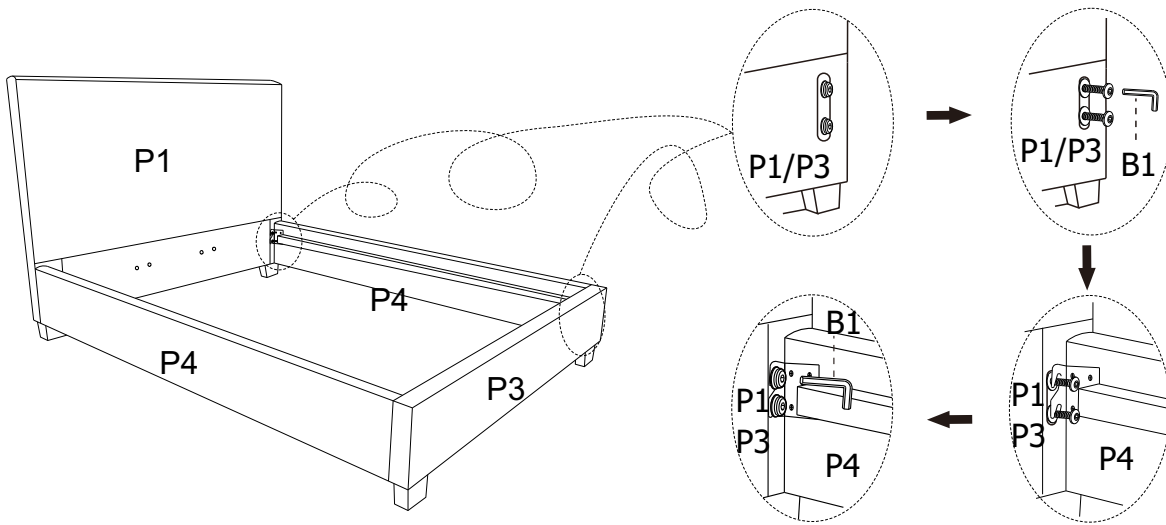


STEP 1:



STEP 2 :

LOOSEN THE PRE-INSTALLED BOLTS ON HEADBOARD (P1) & FOOTBOARD (P3). CONNECT THE HOOKS ON THE ENDS OF THE SIDE RAIL (P4) TO THE HEADBOARD & FOOTBOARD BOLTS. TIGHTEN THE PRE-INSTALLED BOLTS USING ALLEN KEY (B1).

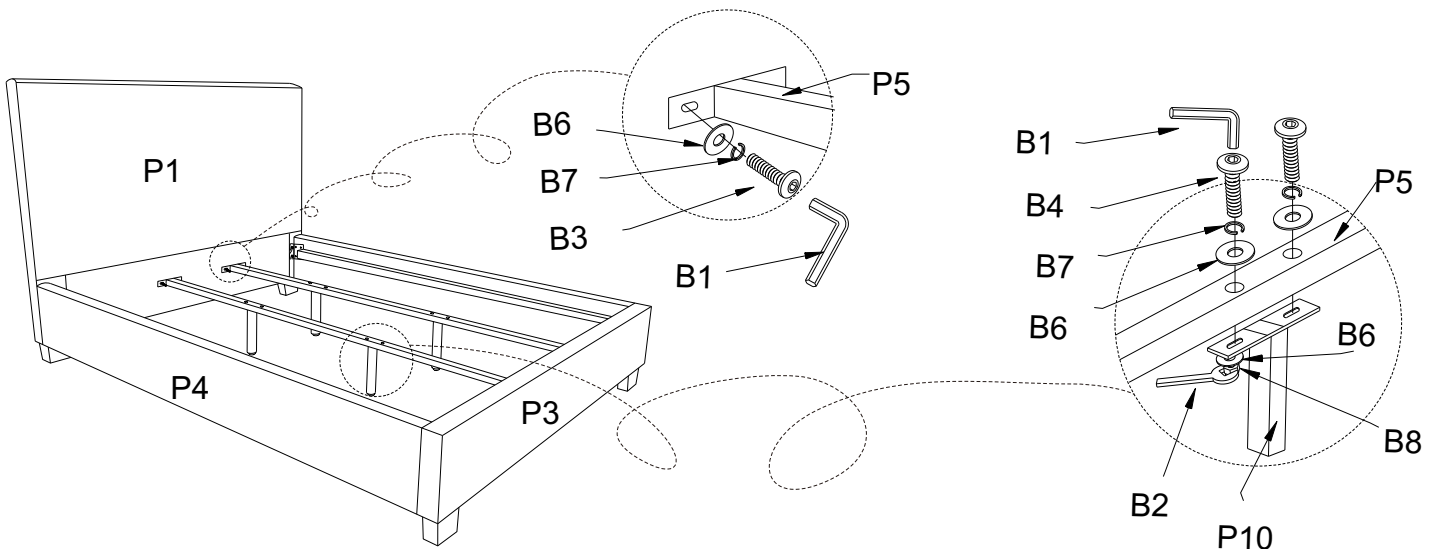


STOP

- IF USING BED WITH AN ADJUSTABLE MATTRESS BASE, SKIP STEPS 3,4& 5 AND REFERENCE APPENDIX A: ADJUSTABLE MATTRESS BASE ASSEMBLY SUPPLEMENT.
- IF USING BED FRAME WITH STANDARD BOX SPRING OR FOUNDATION, CONTINUE TO STEP 3.

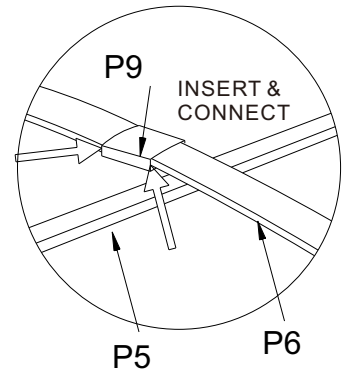
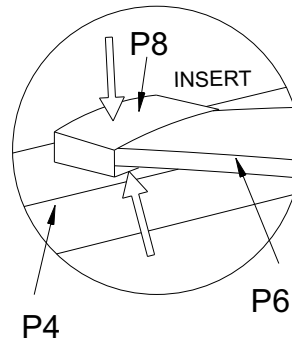
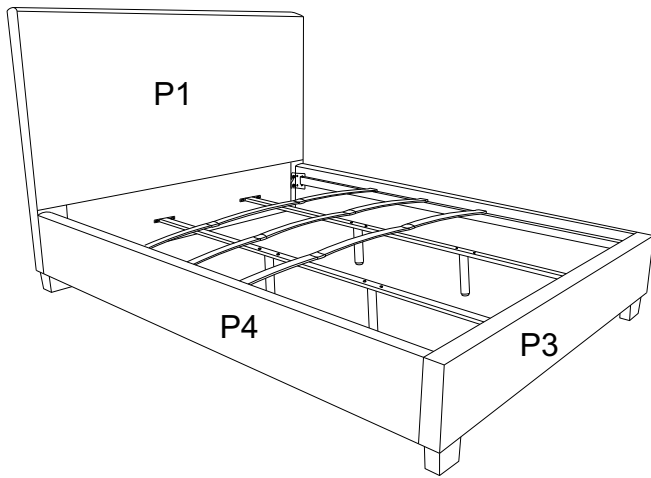
STEP 3 :

CONNECT THE CENTER SLAT SUPPORT WITH SUPPORT LEGS (P5 & P10) TO THE HEADBOARD & FOOTBOARD AS SHOWN IN IMAGE.



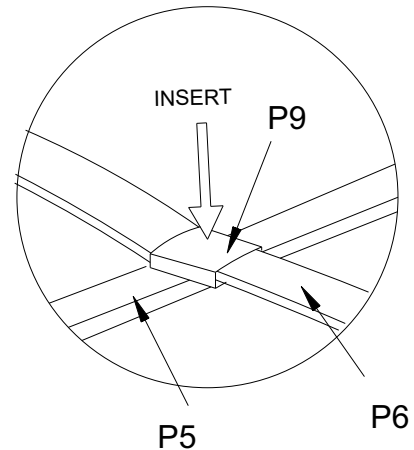
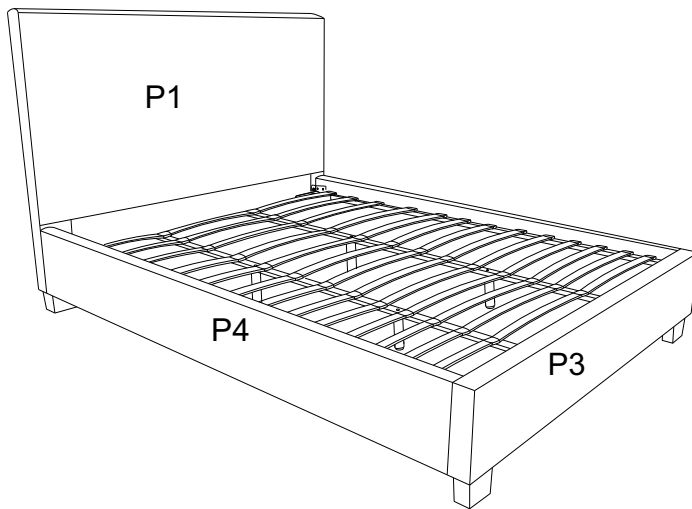
STEP 4 :

ATTACH SIDE RAIL SLAT CLIPS (P8) TO SIDE RAIL. INSERT SLATS (P6) INTO SIDE RAIL CLIPS THEN CONNECT THE SLAT SECTIONS WITH CENTER SUPPORT SLAT CLIPS (P9).



STEP 5 :

ATTACH CENTER SUPPORT CLIPS (P9), WITH SLATS INSERTED, INTO CENTER SLAT SUPPORT.

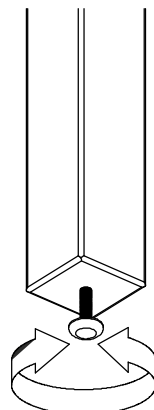


INSTRUCTIONS FOR ADJUSTING LEVELERS :

POSITION THE BED IN YOUR ROOM. LOCATE LEVELERS UNDER EACH SUPPORT LEG (P10).

TURN COUNTER-CLOCKWISE TO EXTEND, CLOCKWISE TO RETRACT.

ADJUST LEVELERS UNTIL EACH LEG SUPPORT IS APPLYING EQUAL UPWARD PRESSURE ON THE CENTER SLAT.



MAINTENANCE INSTRUCTIONS :

- REMOVE BOX SPRING AND MATTRESS BEFORE MOVING YOUR BED.
- LIFT YOUR BED WHEN MOVING IT. DRAGGING CAN DAMAGE CENTER SUPPORT.
- READJUST LEVELERS AFTER MOVING YOUR BED.

GENEVA BED C.KING/E.KING ASSEMBLY INSTRUCTIONS



APPENDIX A:ADJUSTABLE MATTRESS BASE ASSEMBLY SUPPLEMENT

AN ADJUSTABLE MATTRESS BASE IS A FREESTANDING MATTRESS SUPPORT THAT SITS WITHIN THE PERIMETER OF THE BED FRAME.

IF USING THIS BED FRAME WITH A STANDARD BOX SPRING OR FOUNDATION THESE INSTRUCTIONS DO NOT APPLY.

PRE-ASSEMBLED SIDE RAIL CLEATS OBSTRUCT ADJUSTABLE BASE INSTALLATION AND OPERATION. FOLLOW THESE INSTRUCTIONS TO REMOVE THEM.

WARNING!

SIDE RAIL CLEATS ARE HELD IN PLACE USING PHILLIPS HEAD SCREWS. ONCE THEY ARE REMOVED THE USER WILL NOT BE ABLE TO SAFELY RE-INSTALL THE SIDE RAIL CLEATS FOR FUTURE USE WITH A STANDARD BOX SPRING OR FOUNDATION.

THE FOLLOWING PARTS ARE NOT REQUIRED FOR ADJUSTABLE MATTRESS BASE INSTALLATION:

P5. CENTER SLAT SUPPORT	2 PCS
P6. SLAT	39 PCS
P8. SIDE RAIL SLAT CLIP	26 PCS
P9. CENTER SUPPORT SLAT CLIP	26 PCS
P10. CENTER SUPPORT LEG	4 PCS

STEP 1 :

USE A PHILLIPS HEAD SCREWDRIVER (NOT PROVIDED) TO UNSCREW THE PHILLIPS SCREWS AND REMOVE THE PRE-ASSEMBLED SIDE RAIL CLEATS.

