





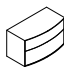


Thank you for purchasing this quality product. Be sure to unpack carefully looking for small parts which may have come loose during shipment.

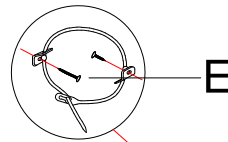
Read all instruction and study the drawing carefully before starting the assembly process.

HARDWARE PACK				
NO.	DRAWING	DESCRIPTION	SIZE	Q'TY
A		Allen Wrench	69*27.2*4mm	1 PC
B		Bolt	1/4"	16 PCS
C		Lock Washer	1/4"	16 PCS
D		Flat Washer	1/4"	16 PCS
E		Anti - Tip Kit		1 PC

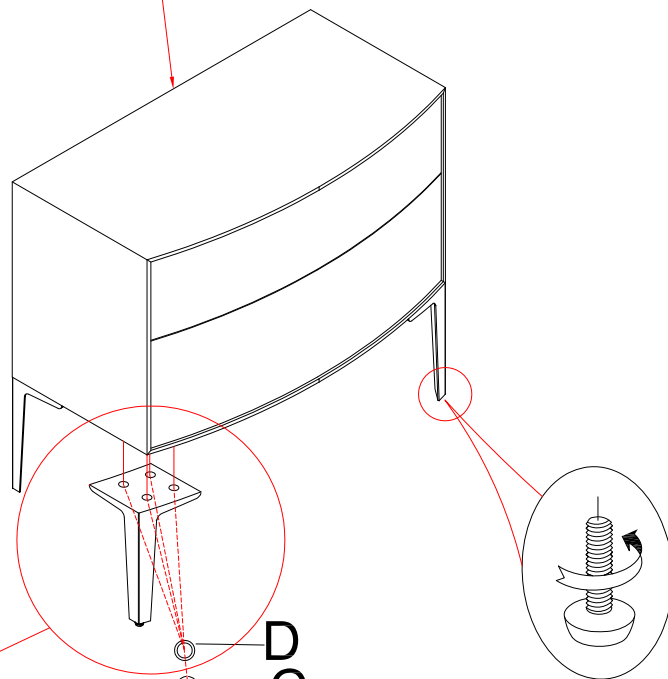
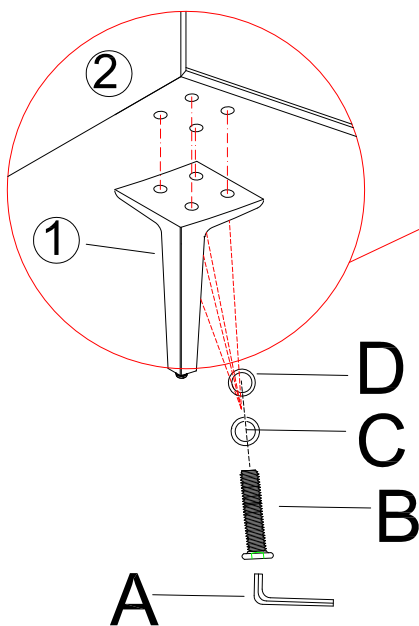
PARTS LIST			
NO.	DRAWING	DESCRIPTION	Q'TY
1		Leg	4 PCS
2		Case Body	1 PC

### Tipping Restraint

Anti-tip kit is included for use. We recommend installing for safety reason.



Please follow numbers on legs and bottom of the case body when assembling legs to the accent chest.



Adjust leveler if needed to level the accent chest on uneven floor.