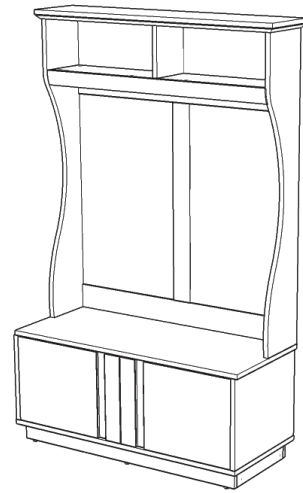


# Hall Tree Stand



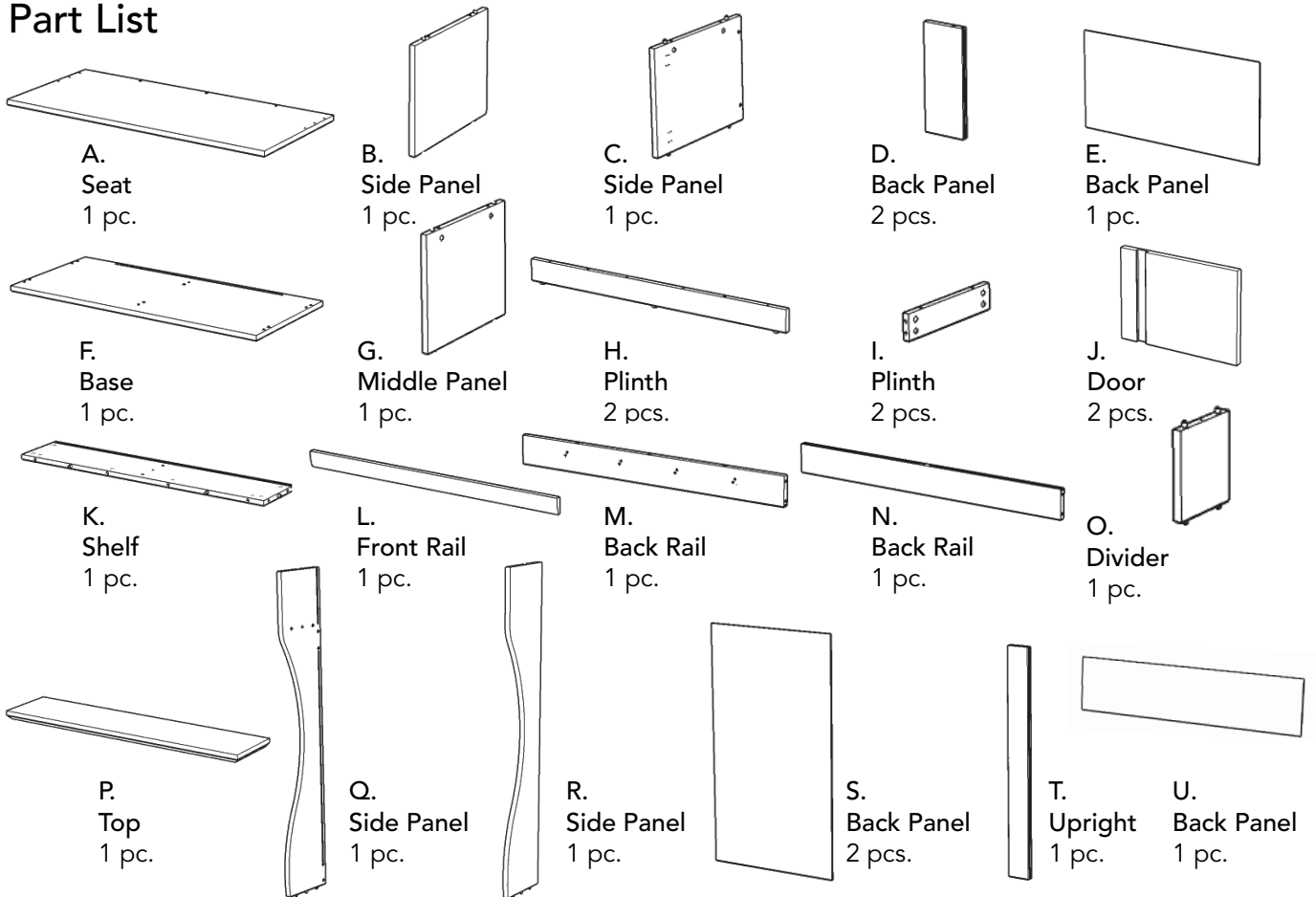
## IMPORTANT

Carefully remove all the parts from the carton and place them individually on a soft cloth to prevent scratches or other damage.

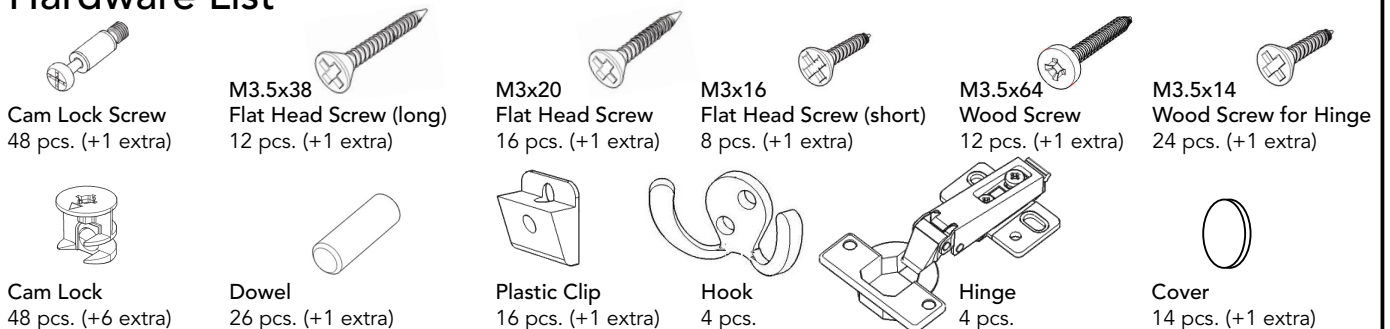
Carefully and strictly follow these assembly instructions to ensure a completed product as designed.

Do not use power tools above 8 volts to assemble.

## Part List



## Hardware List



Tool(s) required for assembly: Phillips screwdriver, Level, Drill (8 volts or less), 3/8" Drill Bit

# Assembly Instructions 2/9

## IMPORTANT

- Use a soft cloth between these parts and the floor.
- Do not use power tools above 8 volts to assemble.
- Do not tighten all the screws until each part is properly assembled.
- The unit must be level to work properly. Use the included adjustable levelers to level.

## STEP 1

Place Seat (A), Side Panels (B), (C), (Q), (R), Base (F), Plinths (H), Shelf (K), Front Rail (L) and Back Rails (M), (N) on a soft cloth.

Insert Cam Lock Screws into pre-drilled holes in Seat (A), Side Panels (B), (C), (Q), (R), Base (F), Plinths (H), Shelf (K), Front Rail (L) and Back Rails (M), (N), then tighten. (See Figure 1)

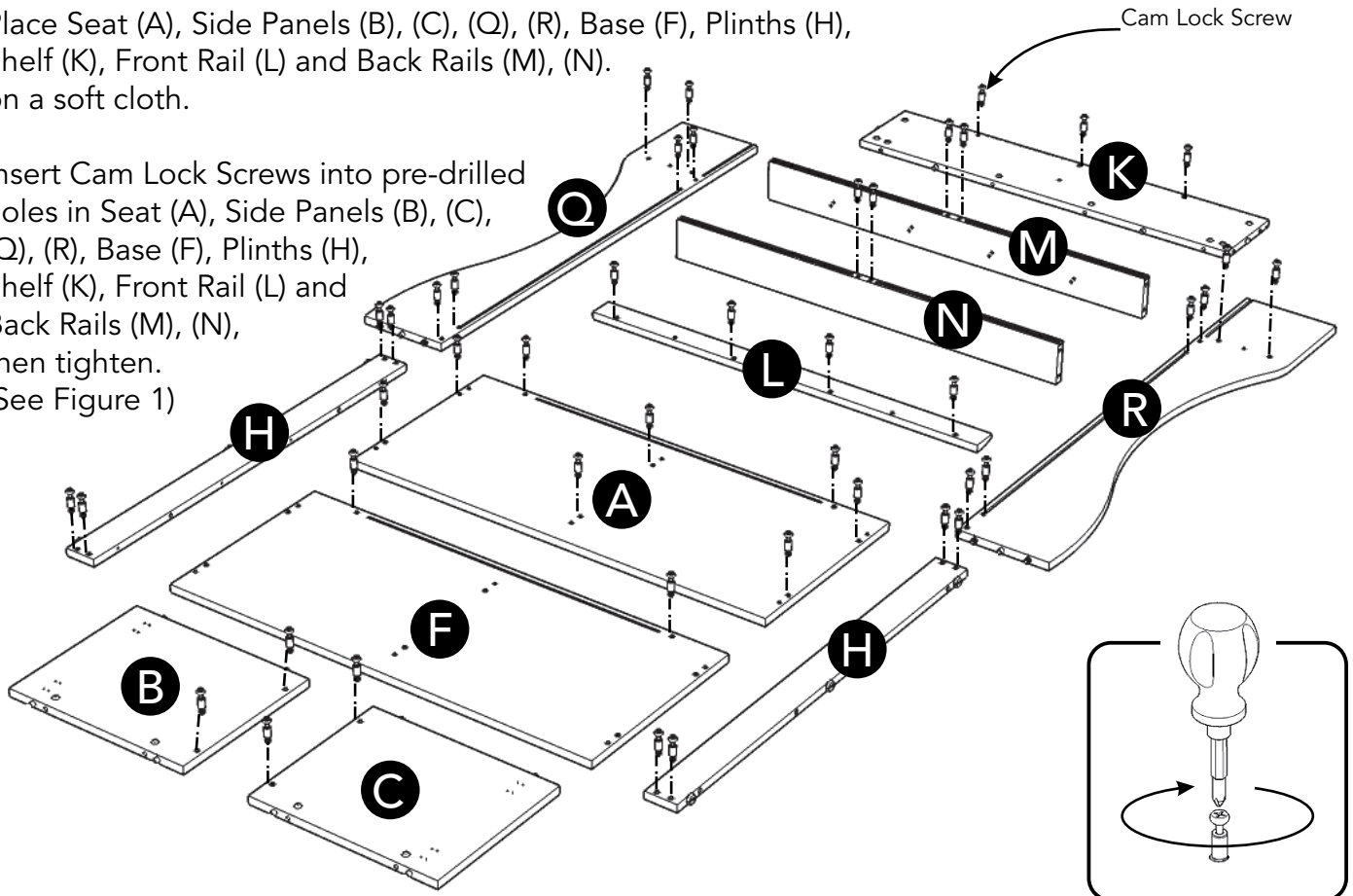


Figure 1

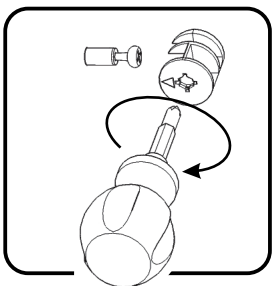
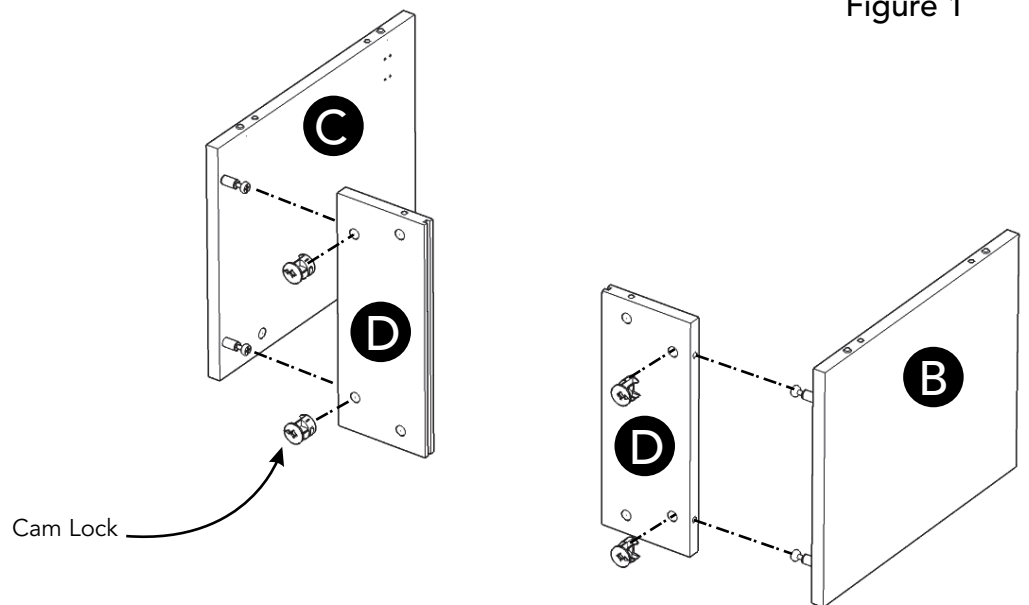


Figure 2



## STEP 2

Attach Back Panels (D) to Side Panels (B) and (C) with Cam Locks. (See Figure 2)

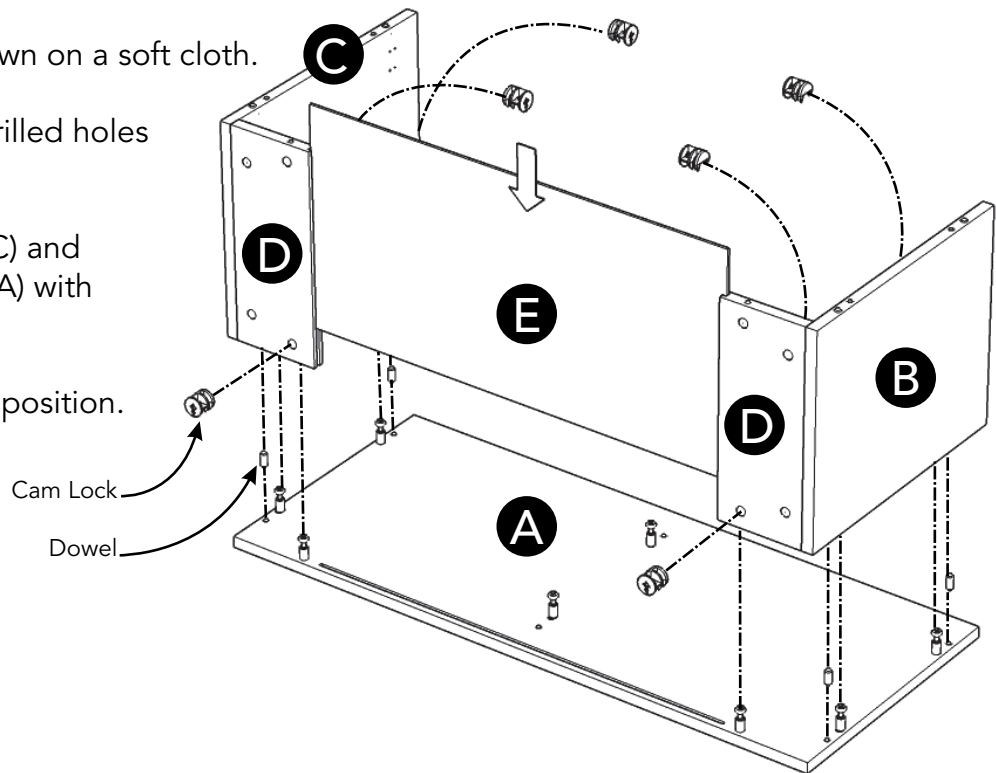
### STEP 3

Place Seat (A) upside down on a soft cloth.

Insert Dowels into pre-drilled holes in Seat (A).

Attach Side Panels (B), (C) and Back Panels (D) to Seat (A) with Cam Locks.

Slide Back Panel (E) into position.



Flat Head Screw (long)

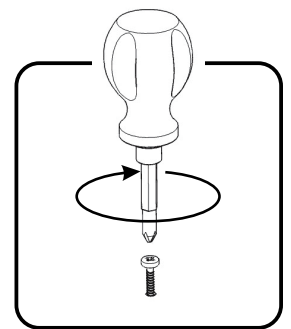
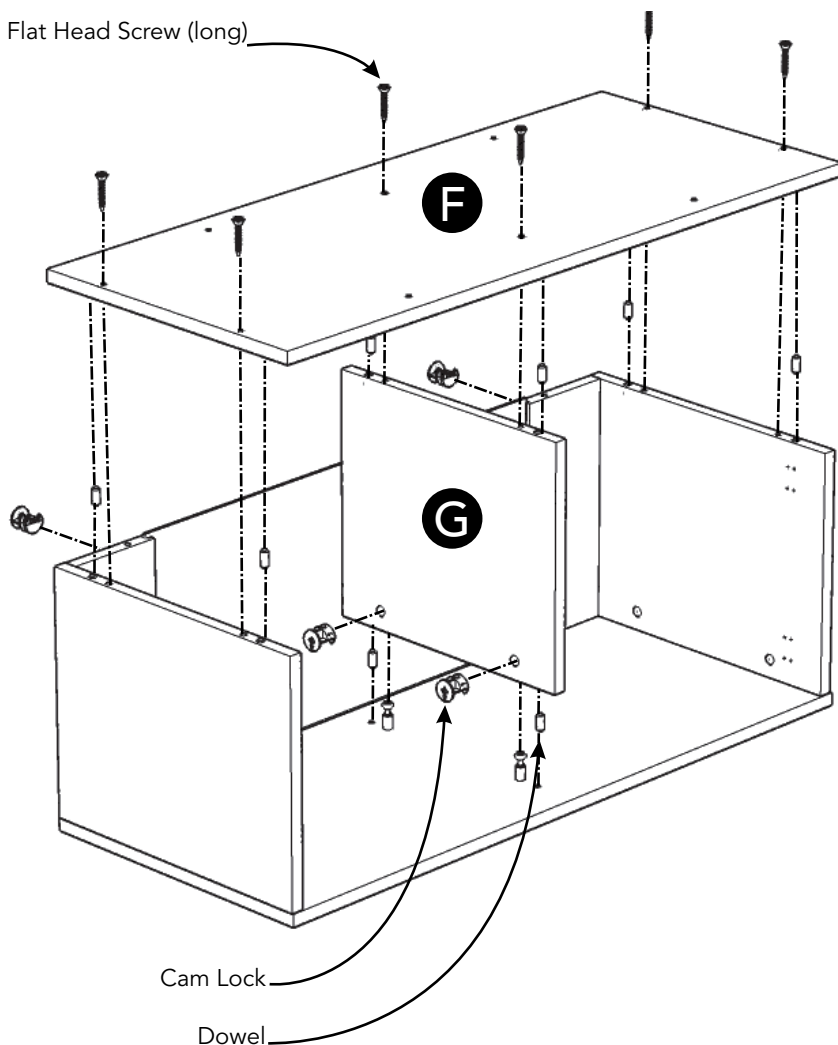


Figure 3

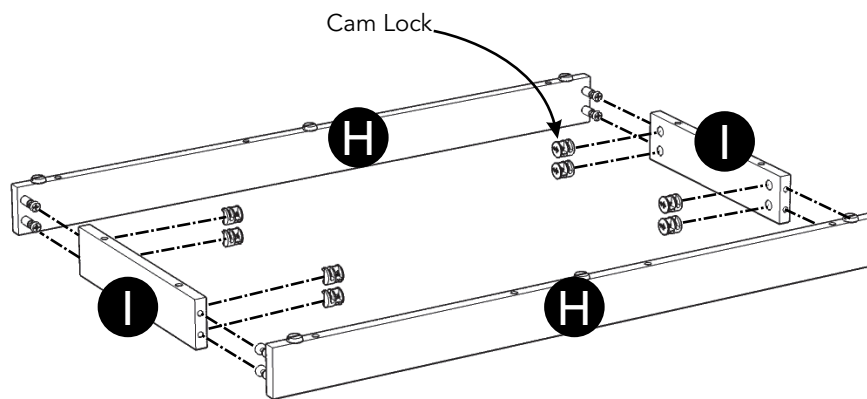
### STEP 4

Insert Dowels into pre-drilled holes in unit.

Attach Middle Panel (G) to unit with Cam Locks.

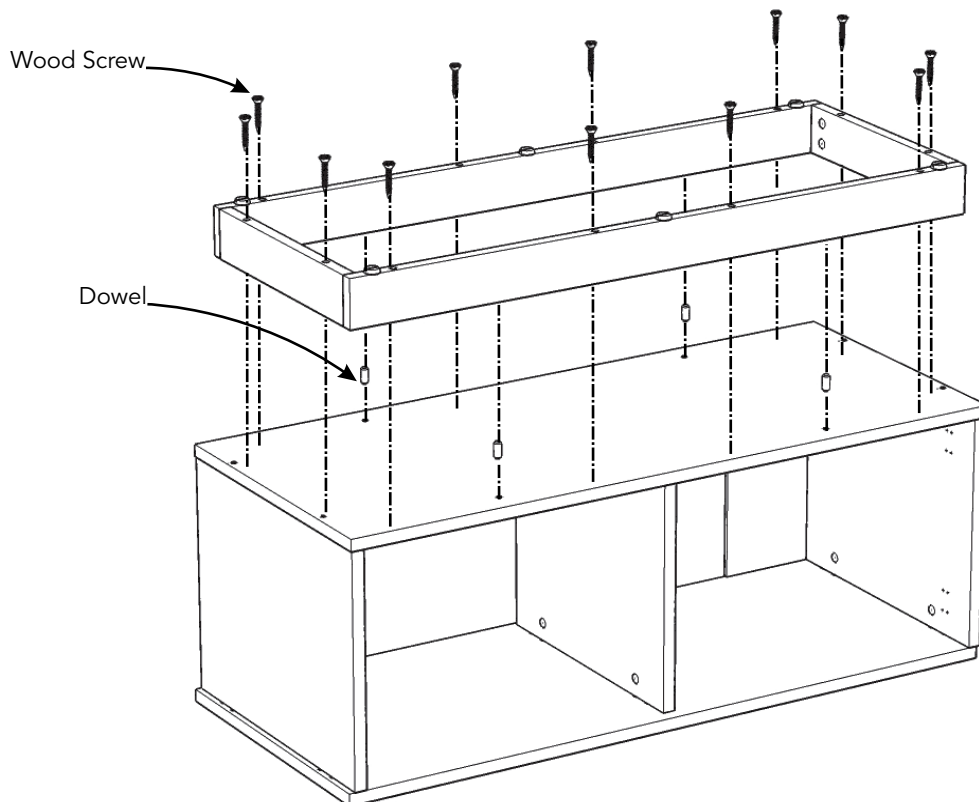
Attach Base (F) to unit with Dowels, Flat Head Screws (long) and Cam Locks. (See Figure 3)

## Assembly Instructions 4/9



### STEP 5

Assemble Plinths (H) and (I) with Cam Locks.

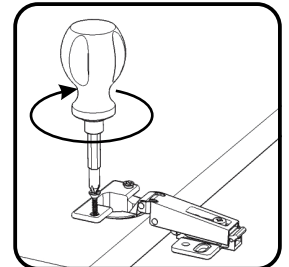
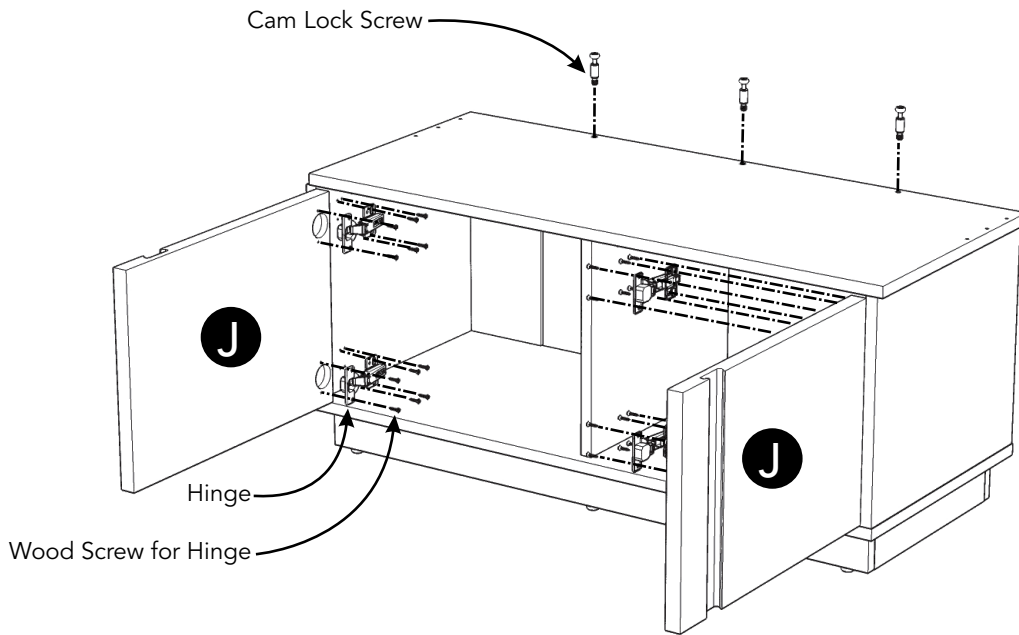


### STEP 6

Insert Dowels into pre-drilled holes in unit.

Attach plinth unit to unit with Wood Screws.

## Assembly Instructions 5/9



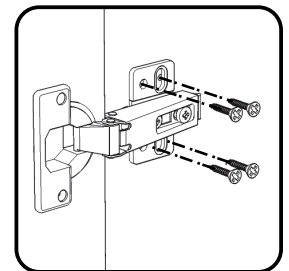
### STEP 7

Turn unit over to its upright position.

Attach Hinges to Doors (J) with Wood Screws for Hinge into pre-drilled holes, then tighten. (See Figure 4)

Attach Doors (J) to unit with Wood Screws for Hinge into pre-drilled holes, then tighten. (See Figure 5)

Insert Cam Lock Screws into pre-drilled holes in unit, then tighten.

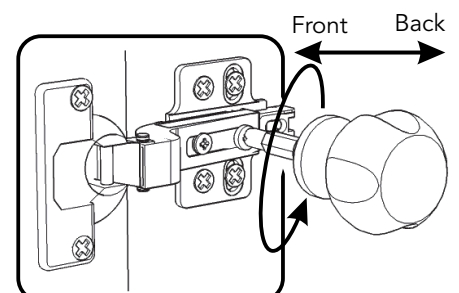
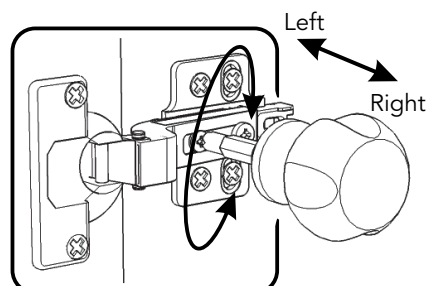
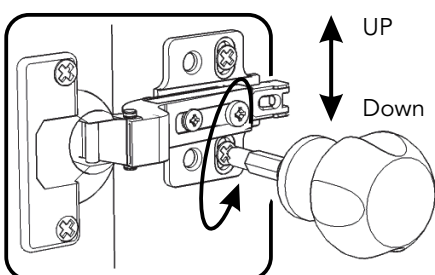


### STEP 8

If needed, adjust doors up or down by removing the front Wood Screws for Hinge and loosening slightly the back Wood Screws for Hinge from side panel, adjusting doors up or down and reinstalling screws. (See Figure 6)

If needed, adjust doors left to right. (See Figure 7)

If needed, adjust doors front to back. (See Figure 8)





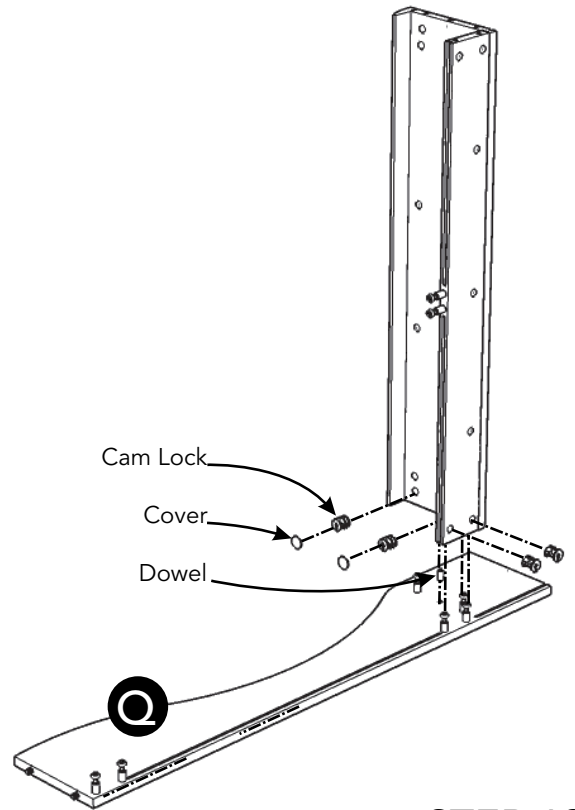
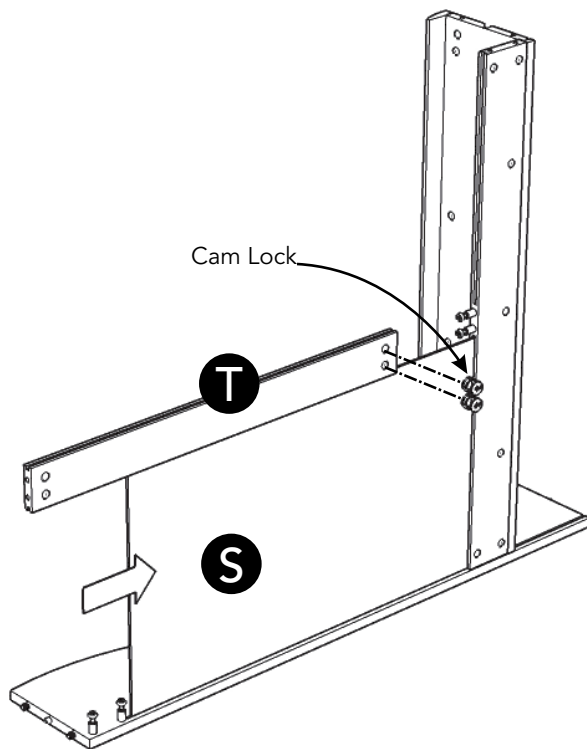
## Assembly Instructions 7/9

### STEP 11

Insert Dowel into pre-drilled hole in Side Panel (Q).

Attach unit to Side Panel (Q) with Cam Locks.

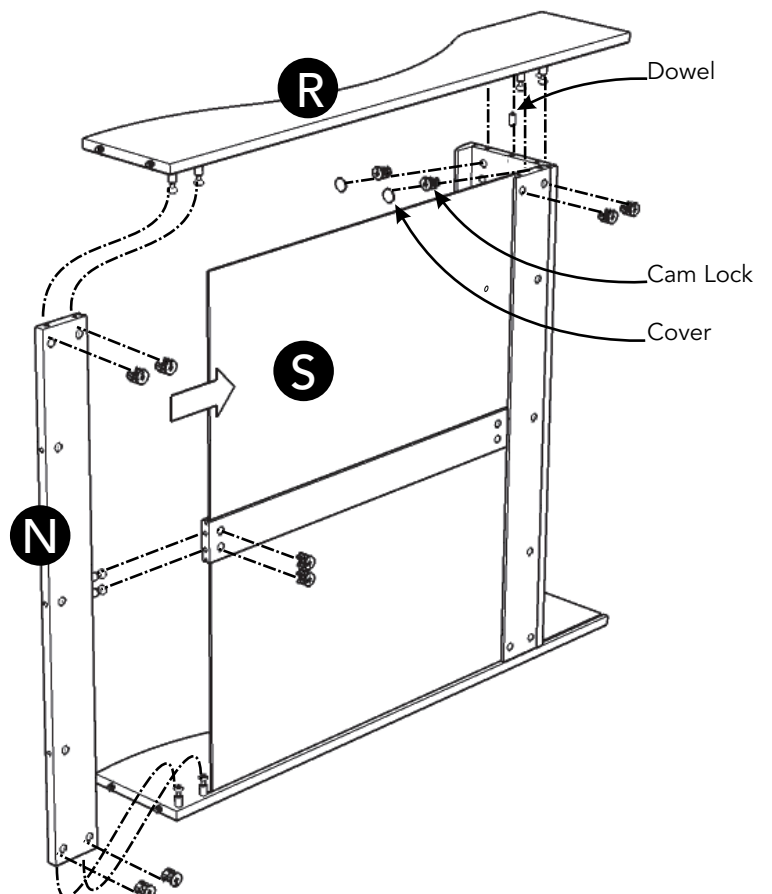
Cover Cam Locks with Covers.



### STEP 12

Slide Back Panel (S) into position.

Attach Upright (T) to unit with Cam Locks.



### STEP 13

Insert Dowel into pre-drilled hole in unit.

Slide Back Panel (S) into position.

Attach Back Rail (N) and Side Panel (R) to unit with Cam Locks.

Cover Cam Locks with Covers.

## Assembly Instructions 8/9

### STEP 14

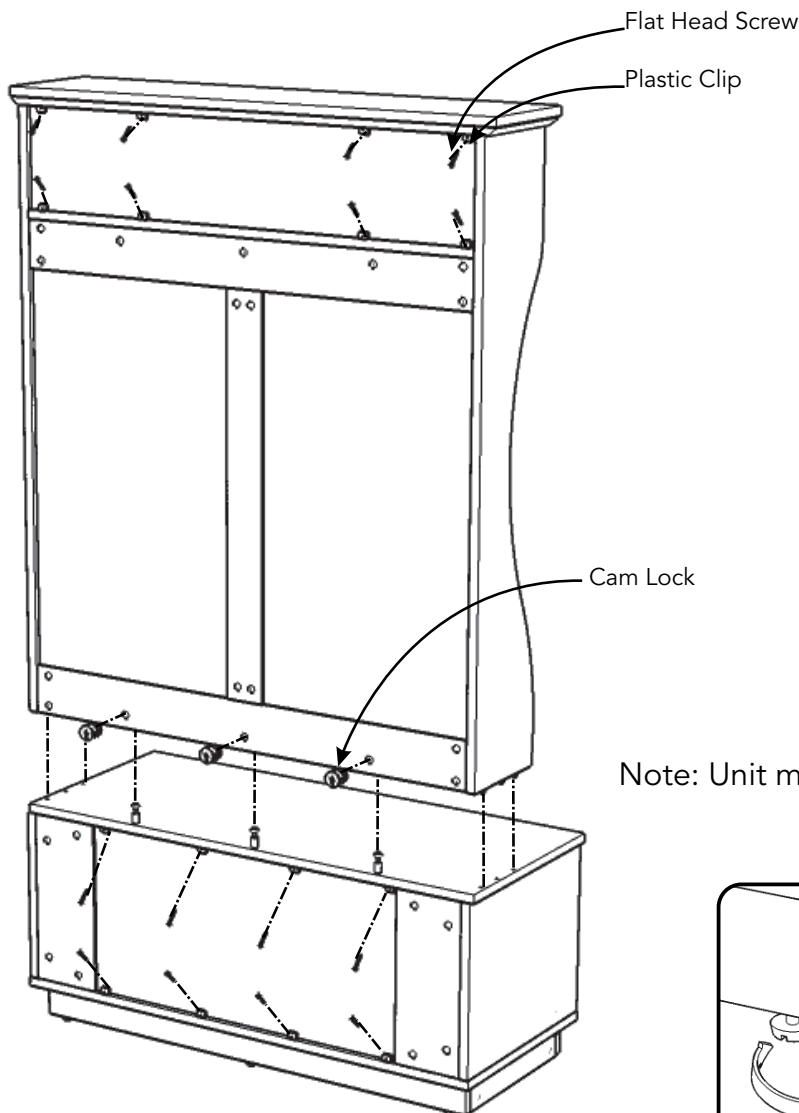
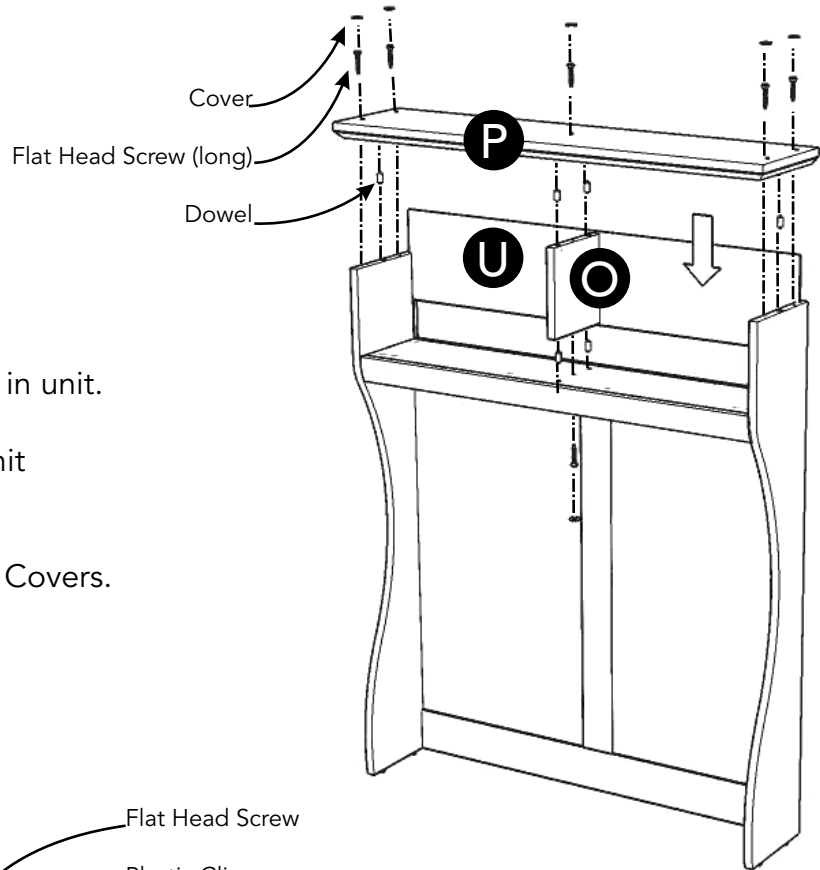
Turn unit to its upright position.

Slide Back Panel (U) into position.

Insert Dowels into pre-drilled holes in unit.

Attach Divider (O) and Top (P) to unit with Flat Head Screws (long).

Cover Flat Head Screws (long) with Covers.



### STEP 15

Attach unit from Step 14 to unit from Step 7 with Cam Locks.

Level unit by adjusting the adjustable levelers on bottom of unit. (See Figure 11)

Note: Unit must be level to proceed.

Attach Plastic Clips to unit with Flat Head Screws. (See Figure 12)

Note: Unit must be level before attaching Plastic Clips.

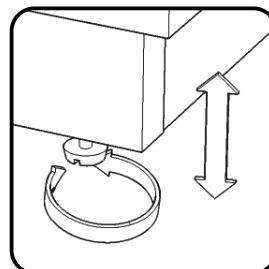


Figure 11

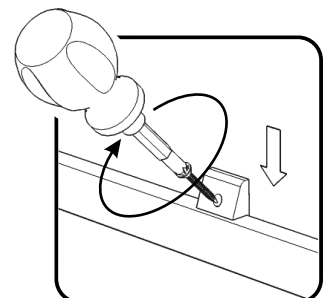


Figure 12



# Assembly Instructions 9/9

## IMPORTANT

- To help reduce the risk of the unit tipping over, the Tipover Restraint must be installed following these instructions exactly.

## STEP 16

Place unit at desired location.

Drill a 3/8" hole in wall in-line with pre-drilled hole at top of unit.

Move unit.

Insert Anchor into the wall hole and attach Bracket with Wall Screw.

Attach Bracket at pre-drilled hole at top of unit with Wood Screw.

Move unit back into place.

Slide Tipover Restraint through Bracket on wall and Bracket on unit.  
(See Figure 13)

Put tie end of Tipover Restraint into lock end of Tipover Restraint and pull until tight.

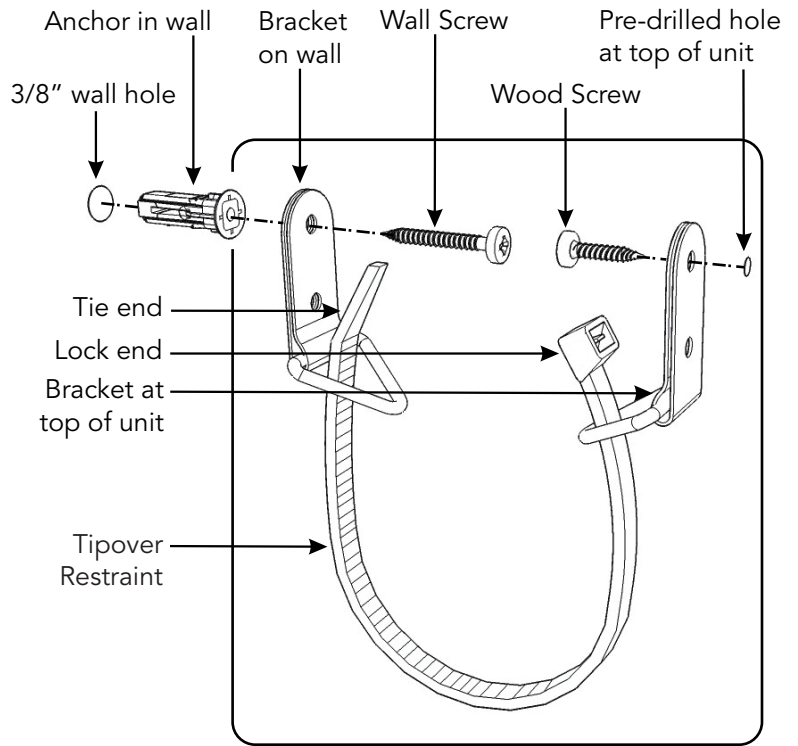
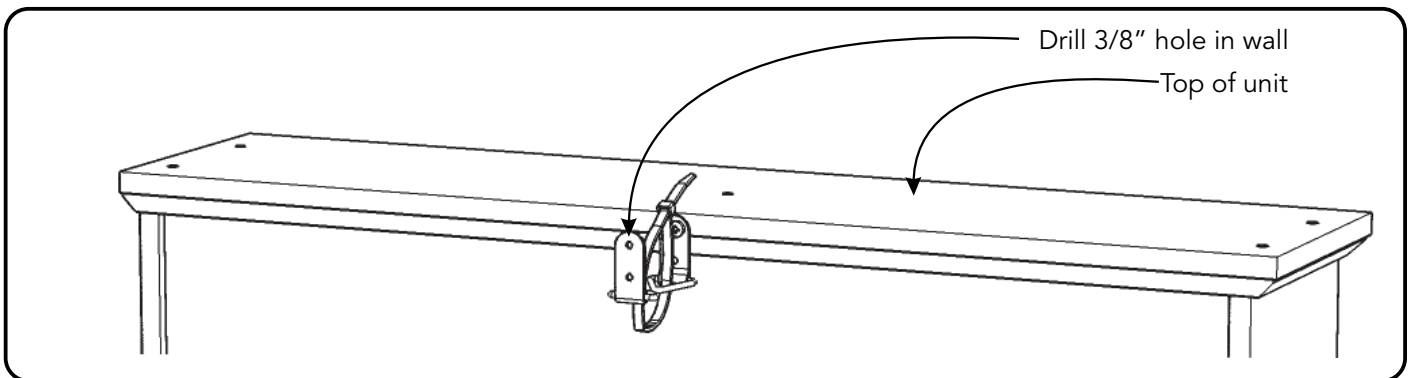
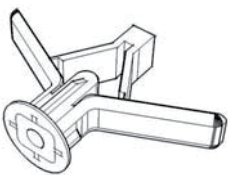


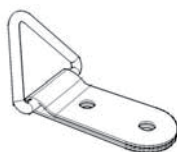
Figure 13



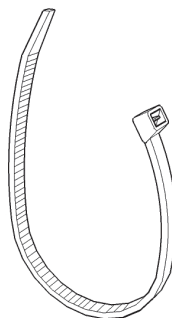
## Hardware List



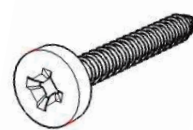
Anchor  
1 pc. (+1 extra)



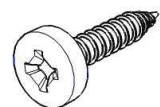
Bracket  
2 pcs. (+1 extra)



Tipover Restraint  
1 pc. (+1 extra)



M3.5x38  
Wall Screw  
1 pc. (+1 extra)



M3x16  
Wood Screw  
1 pc. (+1 extra)

# CARE INSTRUCTIONS

## NEVER

allow liquids to remain on furniture.  
Absorption causes parts to warp  
and split and finishes to delaminate.

## NEVER

use glass cleaners on  
finished furniture. Ammonia  
chemically attacks the finish.



Do not use power tools  
above 8 volts to assemble.  
**PREVENT  
CRACKING**



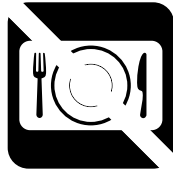
Do not place  
in direct sunlight.  
**PREVENT  
FADING**



Do not write  
directly on surface.  
**PREVENT  
MARKING**



Do not place hot  
objects on surface.  
**PREVENT  
FINISH DAMAGE**



Do not use rubber  
based placemats.  
**PREVENT  
DISCOLORING**



Do not use commercial  
waxes and polishes.  
**PREVENT  
YELLOWING**

## CLEAN

with a soft cloth moistened  
in lukewarm soap and water.  
Buff with a dry clean cloth.



Home Styles will provide replacements free of charge for missing or damaged hardware or parts within 30 days of purchase. Digital images of the defective parts may be required. If the product was not purchased from an authorized retail affiliate, Home Styles is under no obligation to provide replacement parts. Parts are not available for fully assembled items nor are parts available for sale. Replacements for missing or damaged hardware or parts may be requested at:

[www.homestyles-furniture.com/customer-service/replacement-parts](http://www.homestyles-furniture.com/customer-service/replacement-parts)

Home Styles Customer Service: [www.homestyles-furniture.com](http://www.homestyles-furniture.com),  
[servicedesk@homestyles-furniture.com](mailto:servicedesk@homestyles-furniture.com), 888-680-7460, 877-831-0319