



Item No: TD-12514A1

Fantasy Fields - Lil Fire Fighters Table

WARNING

Small parts and sharp points may be present prior to assembly.

CARE INSTRUCTIONS

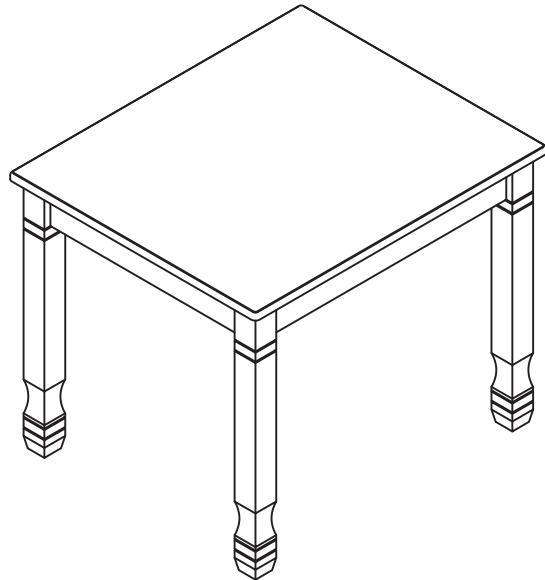
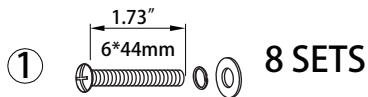
To clean your product, use mild soap and water on a damp cloth. Do not use window cleaners or cleaning abrasives as they will scratch the surface and could damage the protective coating.

CUSTOMER SERVICE

For questions regarding this product, or to receive replacement or missing parts, please contact customer service based on your location. Please have ready the model number and part number(s) located in this assembly instruction sheet when you contact us.

Made in China

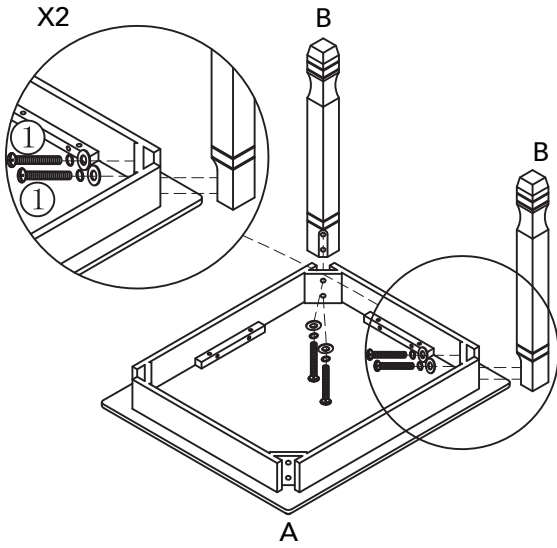
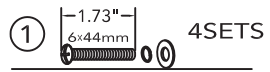
HARDWARE



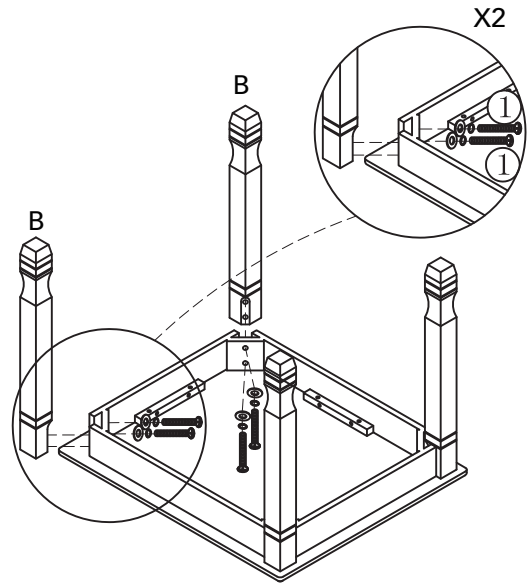
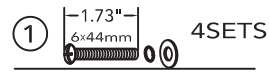
PRODUCT PARTS

A	B
1PC	4PCS

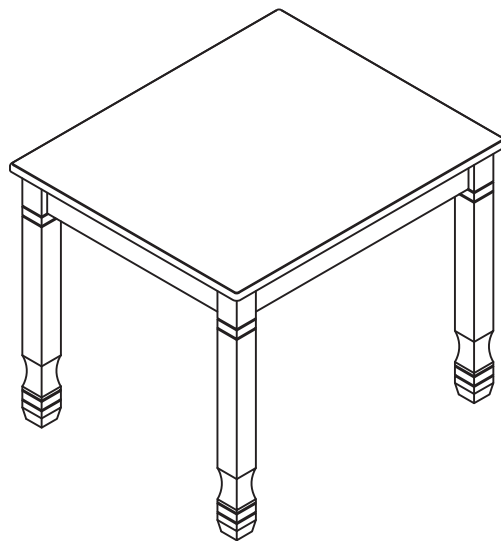
STEP1



STEP2



STEP3





Item No: TD-12514A2
 Fantasy Fields - Lil Fire Fighters Set of 2 Chairs

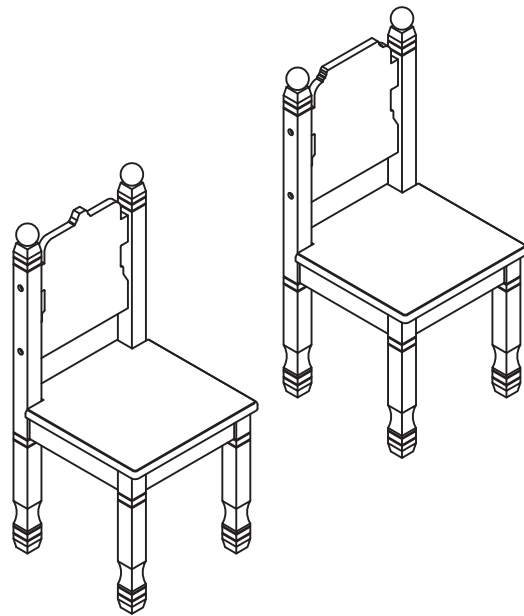
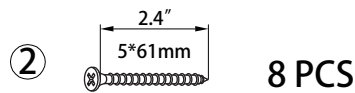
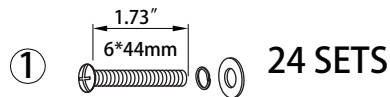
WARNING
 Small parts and sharp points may be present prior to assembly.

CARE INSTRUCTIONS
 To clean your product, use mild soap and water on a damp cloth. Do not use window cleaners or cleaning abrasives as they will scratch the surface and could damage the protective coating.

CUSTOMER SERVICE
 For questions regarding this product, or to receive replacement or missing parts, please contact customer service based on your location. Please have ready the model number and part number(s) located in this assembly instruction sheet when you contact us.

Made in China

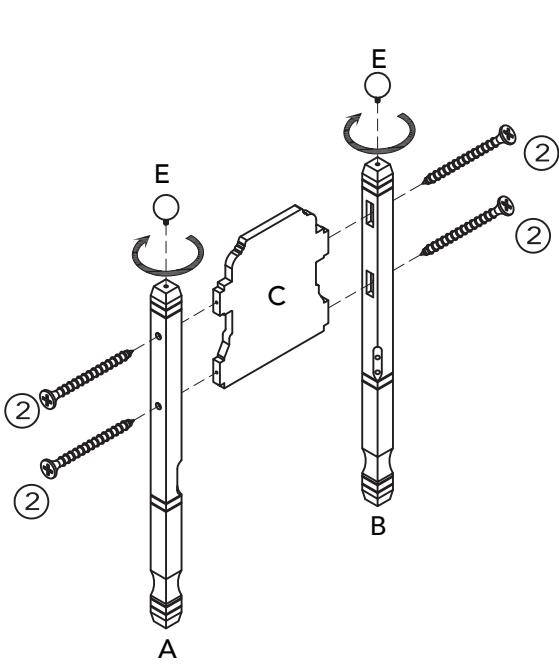
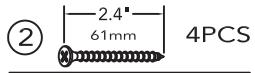
HARDWARE



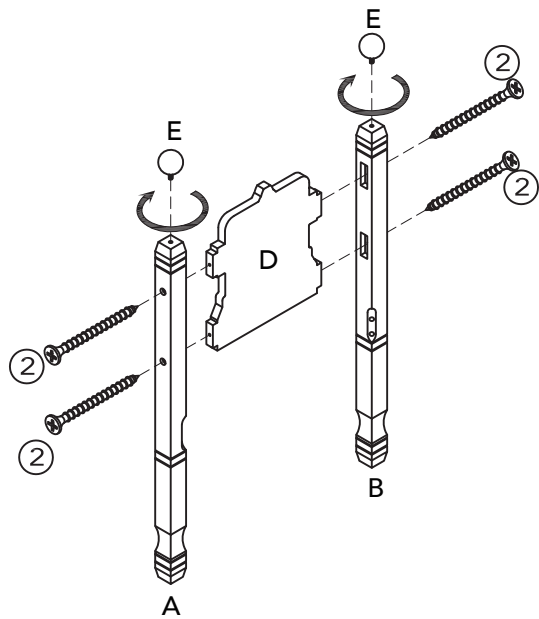
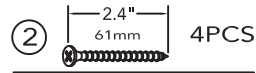
PRODUCT PARTS

A	B	C	D	E	F
2PCS	2PCS	1PC	1PC	4PCS	2PCS
G					
4PCS					

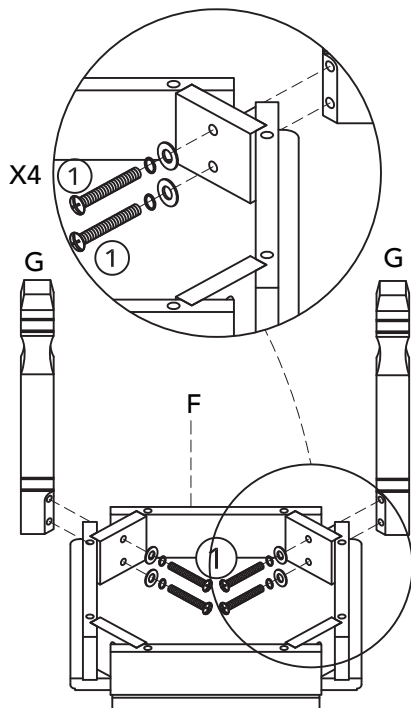
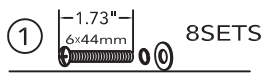
STEP1



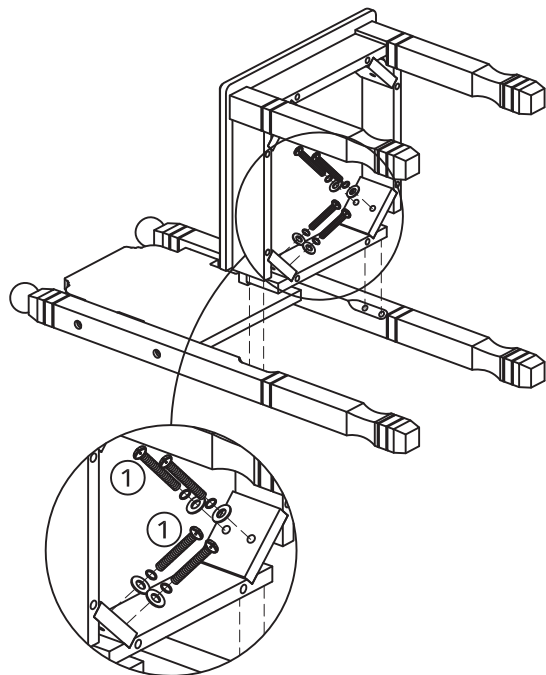
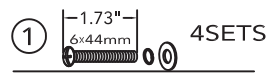
STEP2



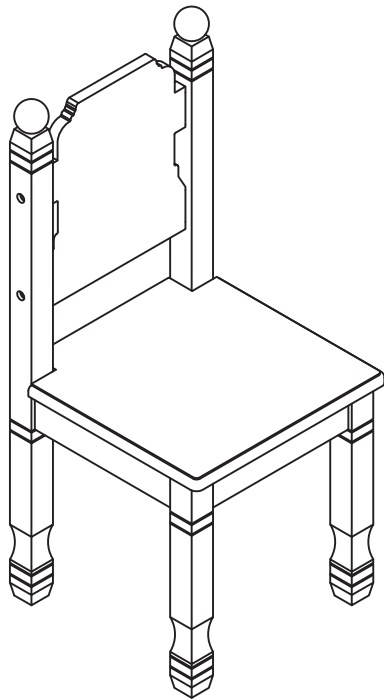
STEP3



STEP4

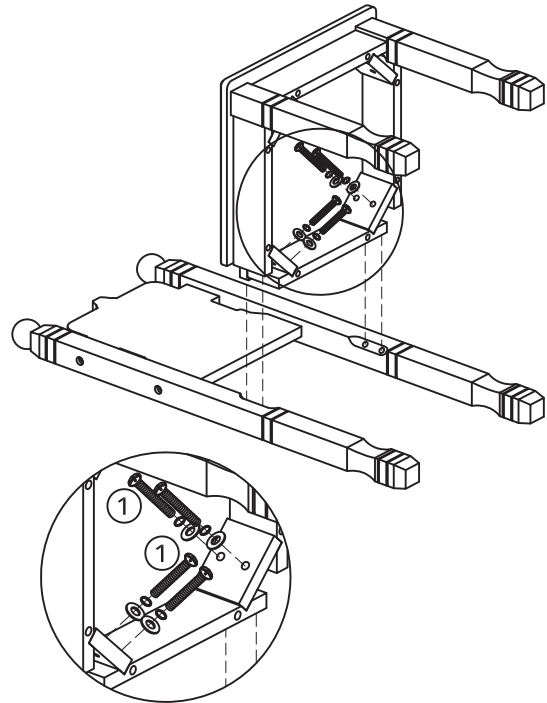


STEP5

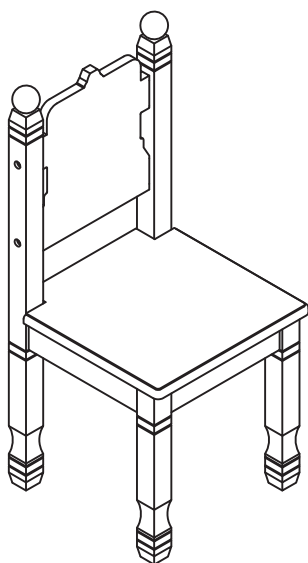


STEP6

① $\frac{1}{4}$ "-1.73"
6x44mm 4SETS



STEP7



STEP8

