



Sheboygan, WI

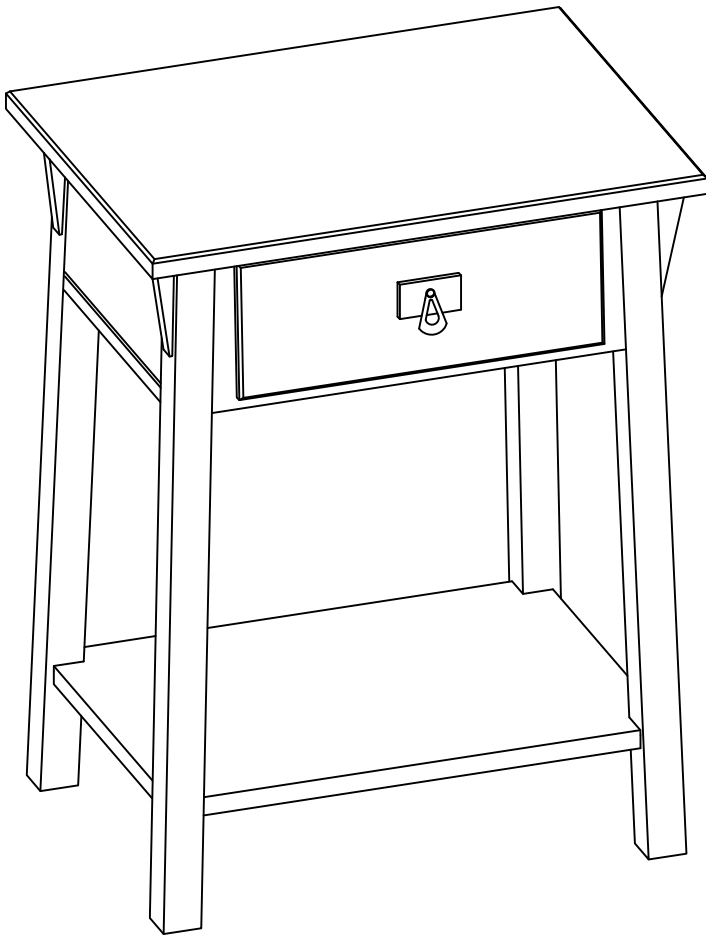
920-451-4060

info@leickhome.com

www.leickhome.com

Thank you for purchasing Leick Furniture products.  
Contact customer service for comments or concerns.

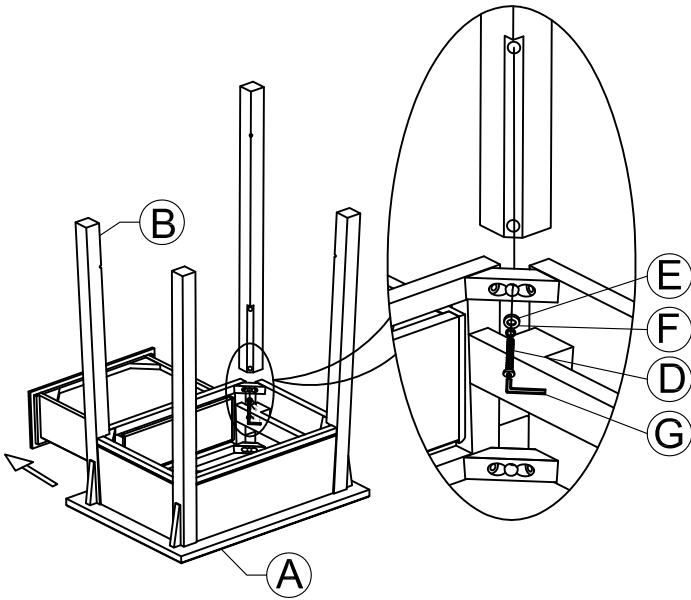
## Assembly Instructions, #9066 Mission Side Table



A: Top Assembly	
B: (4) Leg	
C: Shelf	
D: (8) Bolts	
E: (8) Flat Washers	
F: (8) Lock Washers	
G: Allen Wrench	
H: (4) Shelf Supports	

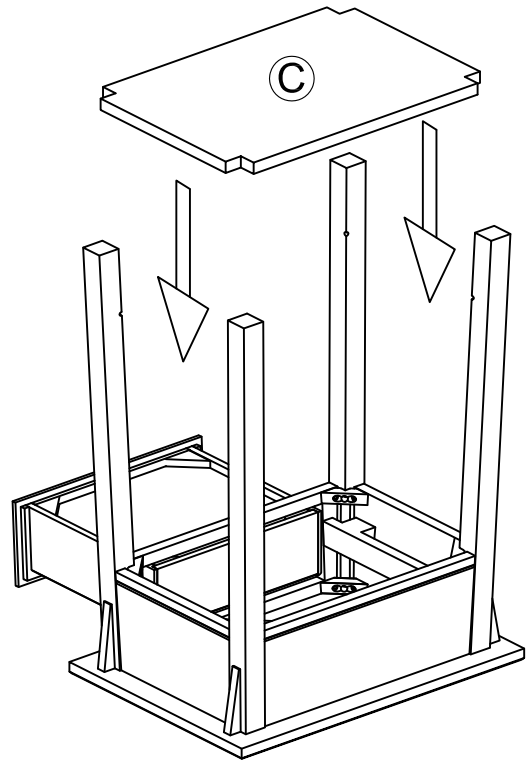
### Step 1

Open the drawer and place the top assembly upside down. Tighten the legs with (D, F, and E) parts. Make sure the leg corbels are facing the right direction as shown in the following picture before attaching the legs.



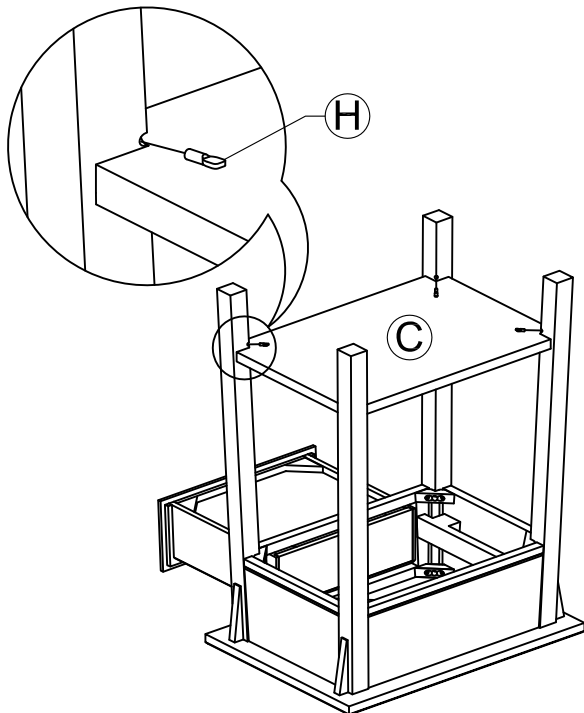
### Step 2

Put the shelf upside down on legs until below the leg shelf holes.



### Step 3

Insert the shelf supports into the holes.



### Step 4

Put the table right side up. Tap the shelf to the shelf supports.

