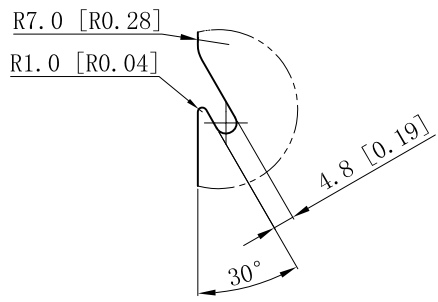
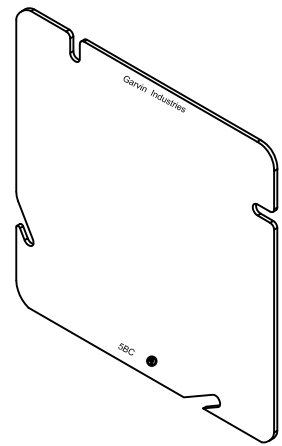
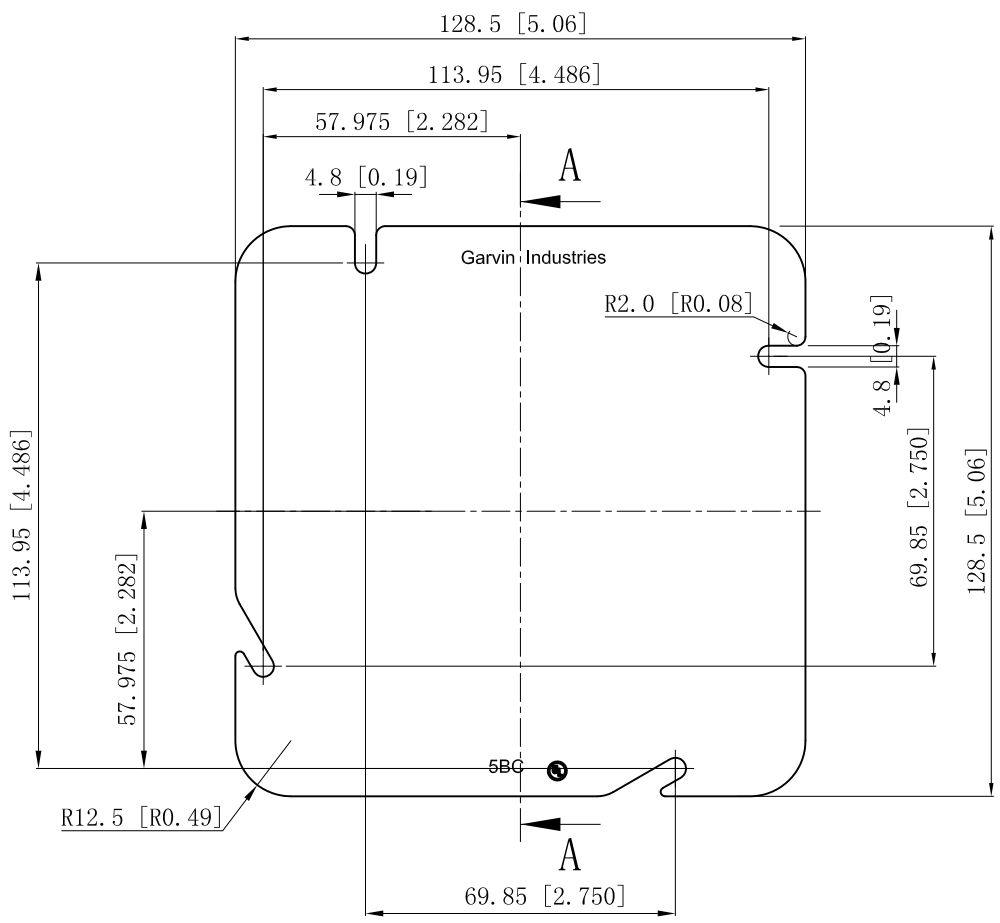


SIDES	BOTTOM
Material: Steel-0.0625"-G60 Galvanized	



VIEW B

CUTAWAY VIEW A-A



This data sheet is for reference only .GARVIN INDUSTRIES reserves the right to make changes to the design without prior notice.

DESCRIPTION
TRADE REFERENCE TERMS

STANDARD PACKING	<h1 style="text-align: center;">GARVIN INDUSTRIES</h1>		
PCS			
TITLE	5 SQUARE BLANK COVER		
SIZE	DWG NO.		REV
A4	5BC		B
DATA SHEET			
www.garvinindustries.com			