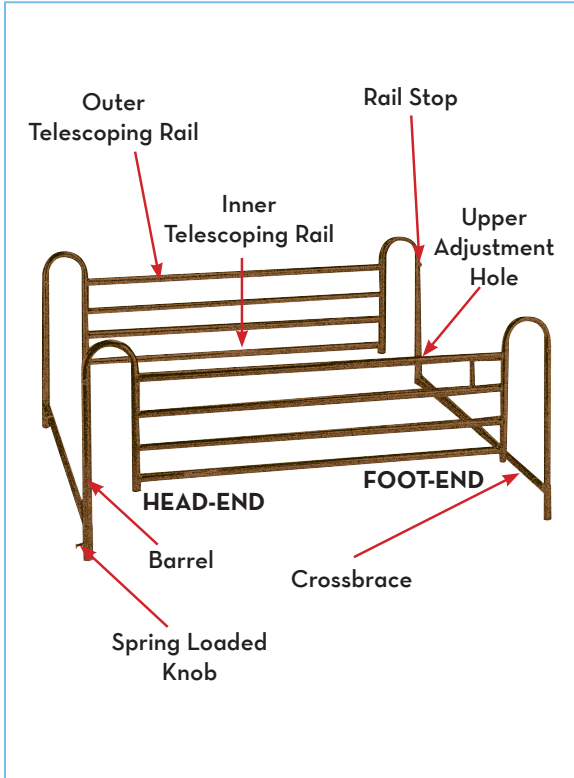


telescoping full length bed rail



lifetime limited warranty

Your Drive brand product is warranted to be free of defects in materials and workmanship for the lifetime of the original consumer purchaser.

This device was built to exacting standards and carefully inspected prior to shipment. This Lifetime Limited Warranty is an expression of our confidence in the materials and workmanship of our products and our assurance to the consumer of years of dependable service.

In the event of a defect covered by this warranty, we will, at our option, repair or replace the device.

This warranty does not cover device failure due to owner misuse or negligence, or normal wear and tear. The warranty does not extend to non-durable components, such as rubber accessories, casters, and grips, which are subject to normal wear and need periodic replacement.

If you have a question about your Drive device or this warranty, please contact an authorized Drive dealer.

drive
MEDICAL DESIGN & MANUFACTURING

© 2006 Medical Depot, Inc. All rights reserved.
Drive is a trademark of Medical Depot, Inc.
Port Washington N.Y. 11050 USA Made in China

bed rail

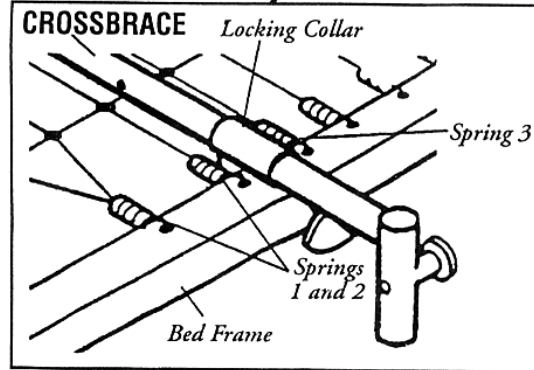
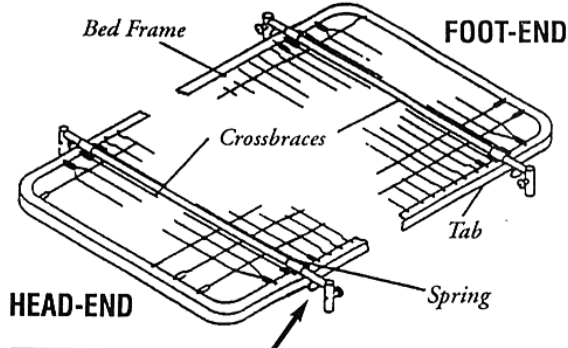
drive
MEDICAL DESIGN & MANUFACTURING



EU Authorized Representative
Drive International, LLC
Globe Lane - Stockport
DUKINFIELD SK16 4RE, GB

www.drivemedical.com

FIGURE 1 – INSTALLING THE CROSSBRACES



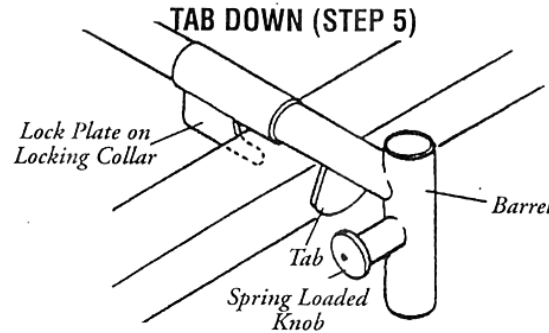
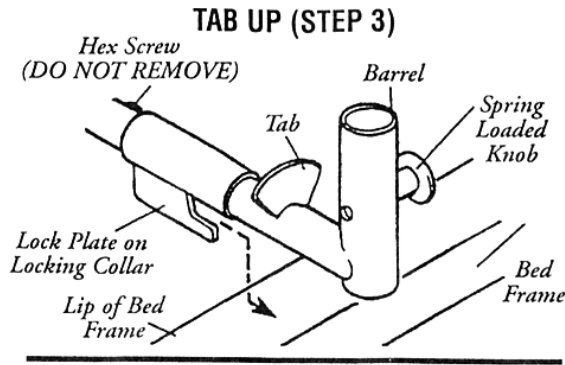
installation (figure 2)

NOTE: Make sure the crossbraces are 45 to 72 inches apart.

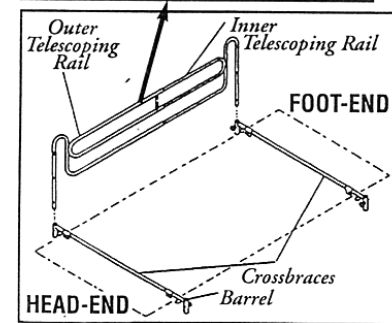
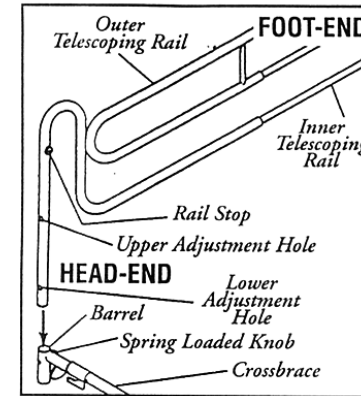
1. Extended one (1) bed rail to reach the head and foot-end crossbraces.

WARNING: The outer Telescoping tube of the bed rail must be positioned at the Head-end of the bed to prevent a pinch point when raising/ lowering the bed.

2. Insert the outer telescoping rail into the barrel of the Head-end crossbrace.
3. Pull and hold the spring loaded knob on the Head-end barrel
4. Adjust the bed rail to one (1) of the three (3) positions.



5. Release the spring loaded knob on the Head-end barrel.
6. Raise or lower the bed rail until the spring loaded knob “clicks” securely into the lower or upper adjustment hole or until the rail stop securely rests against the barrel.
7. Insert the INNER telescoping rail into the barrel of the FOOT-END cross brace.
8. Pull and hold the spring loaded knob on the FOOT-END barrel.
9. Adjust bed rail to the position determined in STEP 4.
10. Release the spring loaded knob on the FOOT-END barrel.
11. Raise or lower the rail until the spring loaded knob “clicks” securely into the lower or upper adjustment hole or until the rail stop securely rests against the barrel.
12. Repeat STEPS 1-11 to install the other bed rail onto the opposite side of the bed.



WARNING: To prevent damage to levers and motors of articulating beds, make certain that when the foot and head-ends are raised that the telescoping length of the bed rail is not less than 47 inches. Otherwise the bed rail has bottomed-out and will bind the drive mechanism of the bed. Either the bed rail or the bed will be damaged.

CAUTION: Gap between bed rail and mattress when bed is in semi Fowler position. Put rail in “MID” position to eliminate gap.

operating instructions

lowering/ raising the rail

1. Hold rail, while pulling the spring loaded knob.
2. Lower/Raise rail to desired height
3. Release knob and lower/raise the rail until spring loaded knob “clicks” into position (unless rail is already at lowest position).
4. Repeat STEP 3 for opposite end of bed rail.
5. Make sure head and foot-end of bed rails are at the same height.

drive
MEDICAL DESIGN & MANUFACTURING

www.drivemedical.com