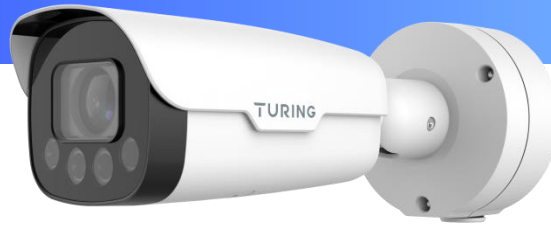


TP-MMB2AV5L

2MP HD TwilightVision™ IR Bullet Camera



KEY FEATURES

- ✓ To be used with SMART Series NVR with Turing Vision Cloud
- ✓ 5~50mm motorized zoom lens, ideal for license plate capture
- ✓ **TwilightVision™** technology superior low-light performance
- ✓ People & vehicle detection with onboard AI
- ✓ Turing Vision Core license for people & vehicle search, cloud storage, and more.



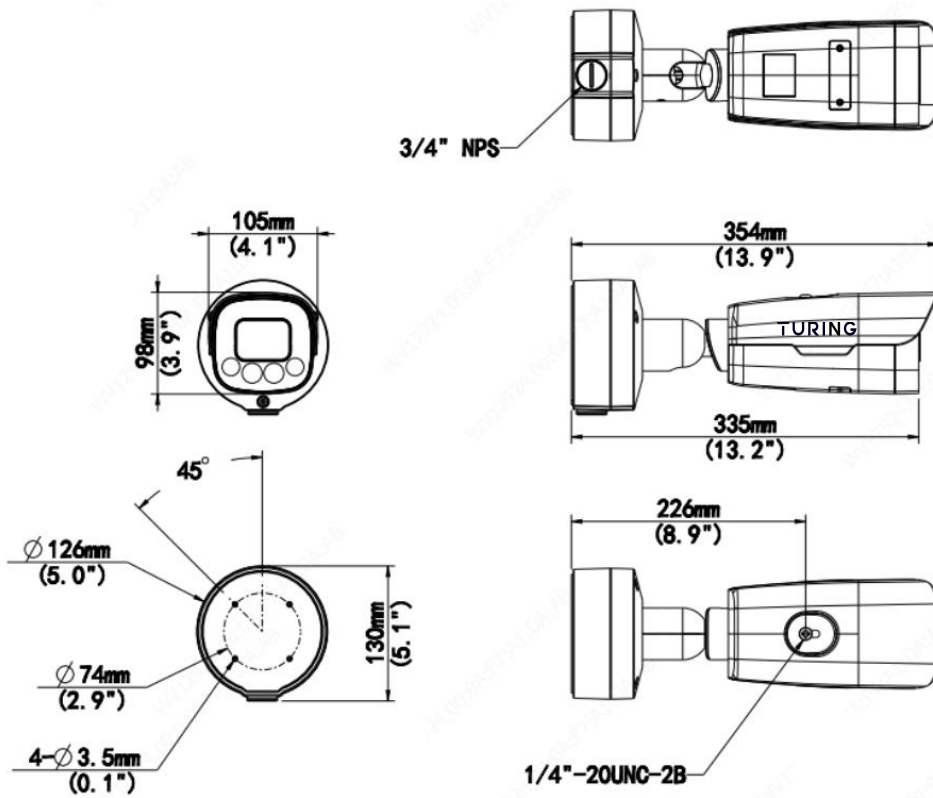
SPECIFICATIONS

CAMERA	
Sensor	1/2.8", 2.0 megapixel, progressive scan, CMOS
Illumination	Colour:0.002 lux (F1.6, AGC ON)0 lux with IR
Day/Night	IR-cut filter with auto switch (ICR)
Shutter	Auto/Manual, 1 ~ 1/100000s
WDR	120dB
S/N	> 52dB
LENS	
Lens type	5~50mm@F1.6, AF automatic focusing and motorized zoom lens
Iris	DC-iris
Angle of View (H)	4.71°~55.87°
Angle of View (V)	2.65°~33.21°
Angle of View (O)	5.56°~68.72°
ILLUMINATION	
IR Range	Up to 100m (328.1 ft) IR range
Wavelength	850nm
IR Control	Auto/Manual
VIDEO	
Video Comp.	Ultra 265, H.265, H.264, MJPEG
Frame Rate	Main Stream: 2MP (1920*1080),Max 60fps; Sub Stream: 1080P (1920*1080), Max 60fps;Third Stream: D1 (720*576), Max 60fps; Fourth Stream: D1 (720*576), Max 60fps;Fifth Stream: D1 (720*576), Max 60fps;
Video Bit Rate	128 Kbps~16 Mbps
H.264 Type	Baseline Profile/Main Profile/High Profile
H.265 Type	Main Profile
U-code	Support
ROI	Up to 8 areas
Video stream	Five streams
OSD	Up to 8 OSDs
Privacy Mask	Up to 4 zones per scene (black block)
IMAGE	
Balance	Auto/Outdoor/Fine Tune/Sodium Lamp/Locked/Auto2
Noise Red.	2D/3D DNR
Smart IR	Support
Flip	Normal/Flip Vertical/Flip Horizontal/180°/90°Clockwise/90°Anti-clockwise
HLC	Support
BLC	Support
Defog	Digital Defog
EVENTS	
Detection	Motion detection, Audio detection, Tampering alarm
General Function	Watermark, IP Address Filtering, Alarm input, Alarm output, Access Policy, ARP Protection, RTSP Authentication, User Authentication

AUDIO	
Audio Compression	G.711U, G.711A
Audio Bitrate	64 Kbps
2-way Audio	Yes
Suppression	Yes
Sampling	8KHz
STORAGE	
Edge Storage	Micro SD, up to 256 GB
Network Storage	ANR,NAS(NFS)
NETWORK	
Protocols	IPv4, IGMP, ICMP, ARP, TCP, UDP, DHCP, PPPoE, RTP, RTSP, RTCP, DNS, DDNS, NTP, FTP, UPnP, HTTP, HTTPS, SMTP, 802.1x, SNMP, QoS, RTMP, SSL/TLS
Compatibility	ONVIF (Profile S, Profile G, Profile T), API, SDK
User/Host	Up to 32 users. 2 user levels: administrator and common user
Security	Password protection, strong password, HTTPS encryption, Export operation logs, basic and digest authentication for RTSP, digest authentication for HTTP, TLS 1.2, WSSE and digest authentication for ONVIF
Web Browser	Plug-in: IE9+, Chrome 41 and below, Firefox 52 and below Plug-in: Chrome 57.0+, Firefox 58.0+, Edge 16+, Safari 11+
INTERFACE	
Audio I/O	1/1
Alarm I/O	2/1
Serial Port	1 RS485
Built-in Mic	N/A
Built-in Speaker	N/A
Built-in Heater	Yes
WIFI	N/A
Network	1 * RJ45 10M/100M Base-TX Ethernet
Video Output	1 BNC
CERTIFICATION	
EMC	FCC CFR 47 Part 15, EN 55032:2015, EN 55024:2010, EN 61000-3-2:2014, EN 61000-3-3-2013
Safety	IEC 62368-1, EN 62368-1, UL 60950-1
Environment	CE-ROHS (2011/65/EU;(EU)2015/863); WEEE (2012/19/EU); REACH (Regulation (EC) No 1907/2006)
Protection	Ingression protection: IP67 (IEC 60529-2013) Vandal resistant: IK10 (IEC 62262:2002)
GENERAL	
Power	DC 12V(-10%,+25%) , PoE+ (IEEE 802.3at) Power consumption: Max 13W
Power Interface	Wires with cold-pressed terminal
Dimensions (L x W x H)	354 x 105 x 98mm (13.9" x 4.1" x 3.9")
Weight	1.93kg(4.25lb)
Working Environment	-40°C~60°C(-40°F ~ 140°F) · Humidity: ≤95% RH
Storage Environment	-40°C~70°C(-40°F ~ 158°F) · Humidity: ≤95% RH
Surge protection	6KV
Vandal Resistant	IK10
Ingress Protection	IP67
Reset button	Yes



DIMENSIONS



MOUNTING

