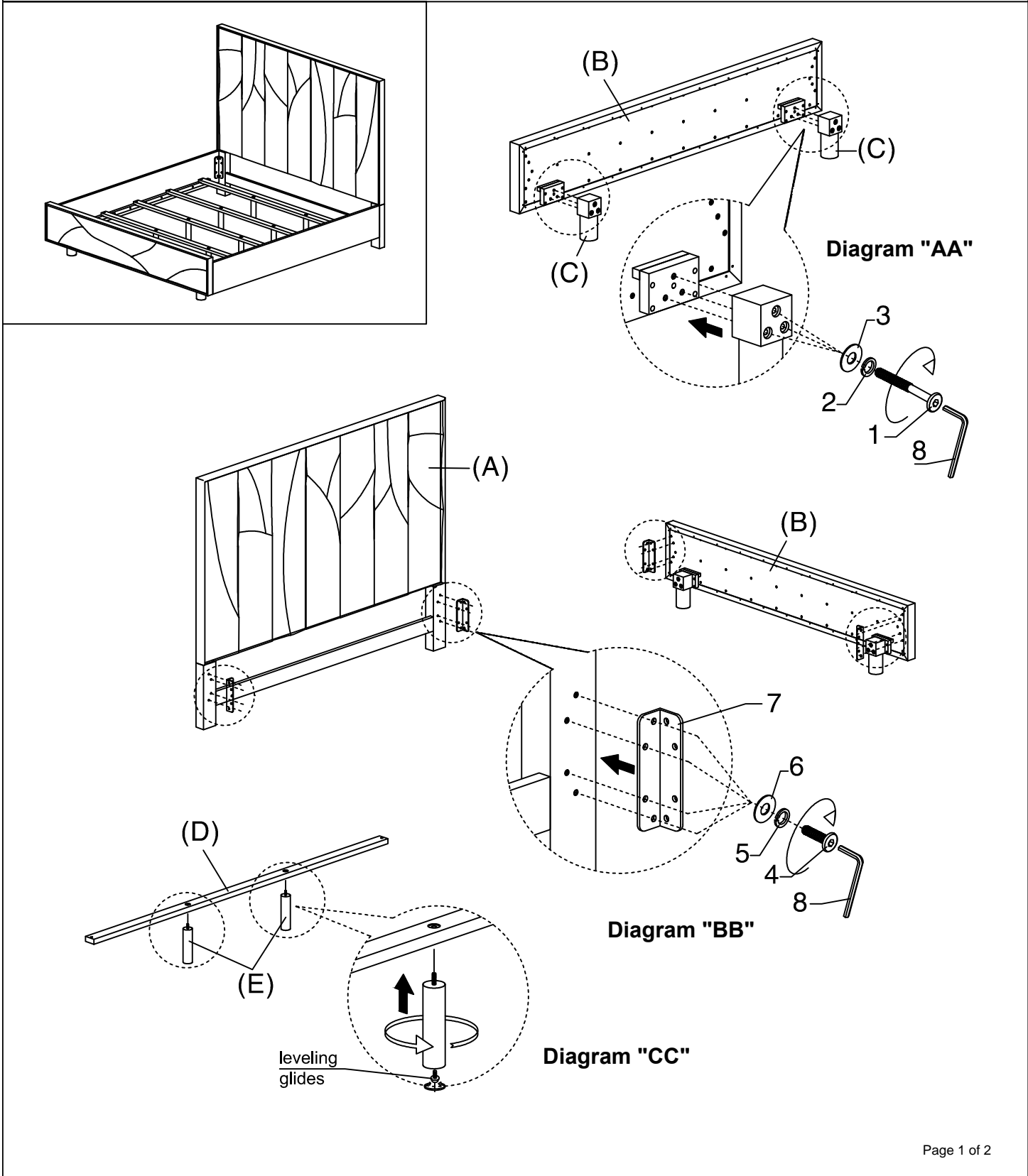


BERNHARDT

ASSEMBLY INSTRUCTIONS FOR 305 KING BED

Thank you for purchasing Bernhardt furniture. Please check all packing materials to ensure proper assembly. Please read all instructions carefully before starting the assembly process. Some parts are large and heavy and require at least two people to assemble, in order to prevent possible injury and/or damage to the piece.



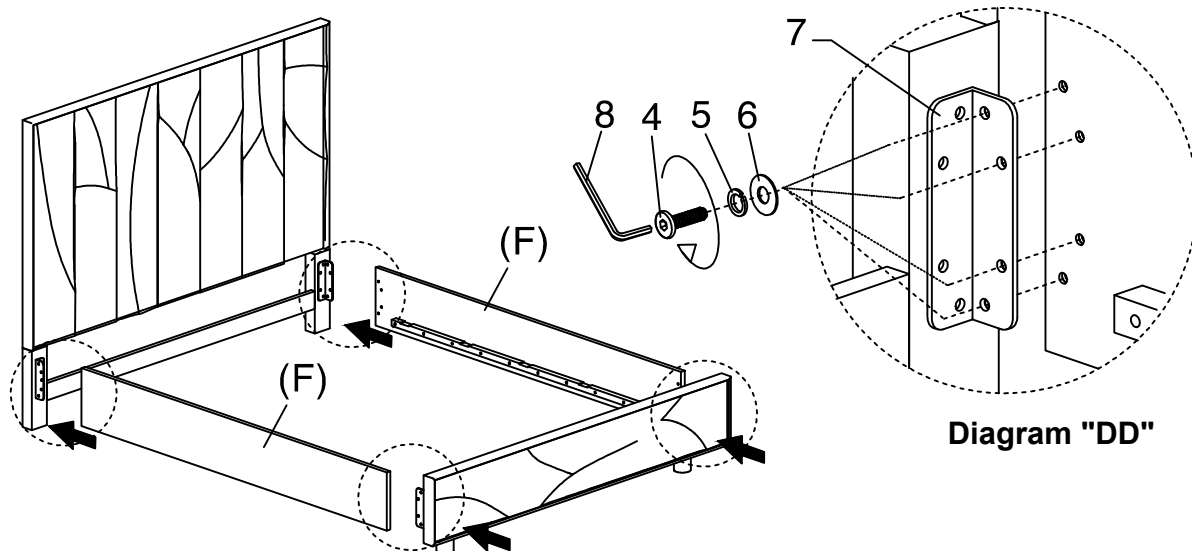


Diagram "DD"

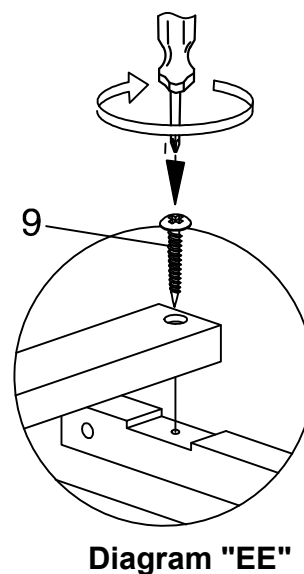
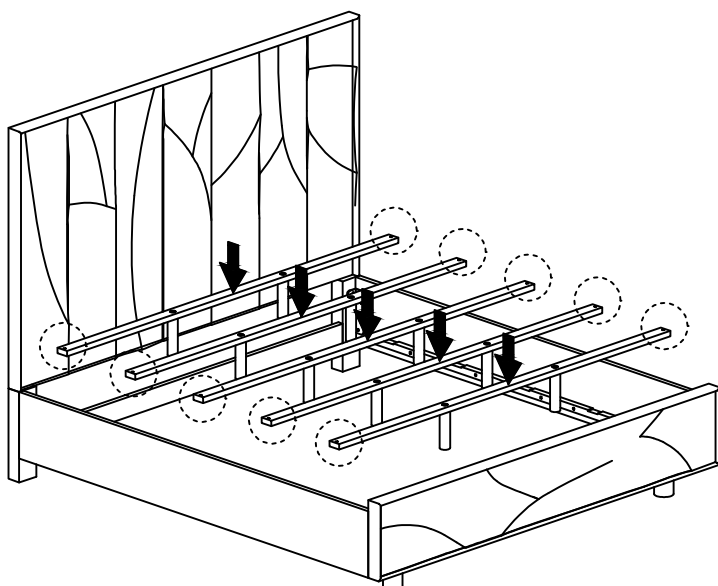


Diagram "EE"

HARDWARE PACK

NO.	DRAWING	DESCRIPTION	SIZE	QTY
1		Long Bolts	Ø5/16" x 3-3/4"	6 pcs.
2		Lock Washers	Ø5/16" x 12 mm	6 pcs.
3		Flat Washers	Ø5/16" x 19 mm	6 pcs.
4		Small Bolts	Ø1/4" x 1"	32 pcs.
5		Lock Washers	Ø1/4" x 10 mm	32 pcs.
6		Flat Washers	Ø1/4" x 16 mm	32 pcs.
7		Metal Bracket	196x50x50x5 mm	4 pcs.
8		Allen Key	4 mm	1 pc.
9		Screws	Ø8 x 35 mm	10 pcs.

ASSEMBLY INSTRUCTIONS: (TWO PEOPLE REQUIRED)

1. Attach the Legs (C) into the Footboard Panel (B) using Long Bolts (1), Lock Washers (2) and Flat Washers (3), and tighten with Allen Key (8). (Diagram "AA")
2. Attach Metal Brackets (7) into the Headboard (A) and Footboard (B) using Small Bolts (4), Lock Washers (5) and Flat Washers (6), and tighten with Allen Key (8). (Diagram "BB")
3. Tighten the Support Legs (E) into the Slats (D). (Diagram "CC")
4. Attach the Side Rails (F) into the Headboard (A) and Footboard (B) using Small Bolts (4), Lock Washers (5) and Flat Washers (6), and tighten with Allen Key (8). (Diagram "DD")
5. Attach the slat assembly into the Side Rails (F) using Screws (9), and tighten with phillip-head screwdriver (not provided). (Diagram "EE")

CLEANING INSTRUCTIONS:

Clean surfaces with a clean soft damp cloth.