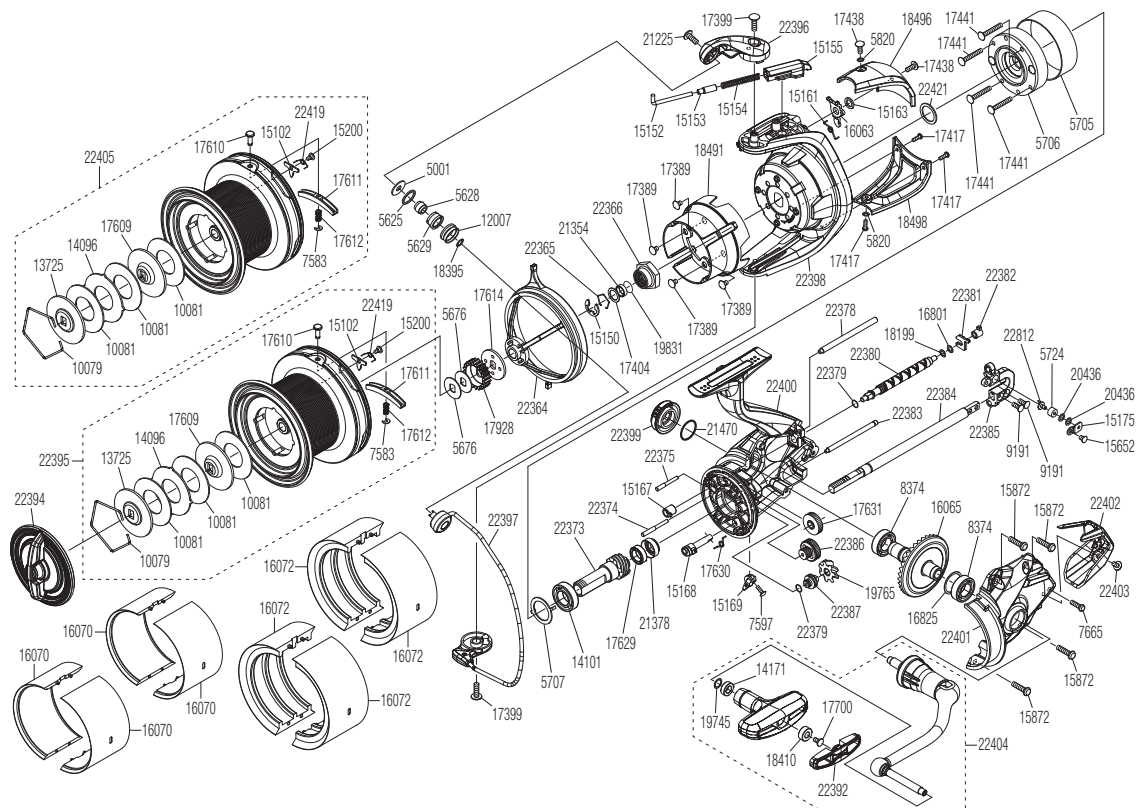


# SHIMANO

## ULTEGRA

### ULT-14000XSE



Please note that the number of adjusting washers may not always be the same as shown in the exploded views.

(51SH613V40X)

Please note that your actions take full responsibility when you take it apart.

#	Part No.	Description	#	Part No.	Description	#	Part No.	Description
5001	107WS	Washer	16065	10AMA	Drive Gear	22375	10SUG	Idle Gear C Shaft
5625	10KFF	Spacer	16801	10K9C	Washer	22378	10SHK	Oscillating Guide B
5628	10HAR	Collar	16825	10HHK	Washer	22379	10TM7	O Ring
5629	10PFK	Bushing	17389	10LHN	Screw	22380	10SHJ	Worm Shaft
5676	106VN	Spool Washer	17399	10LLJ	Screw	22381	10SU8	Worm Shaft Retainer
5705	106HS	Roller Clutch Ring	17404	10GR8	Washer	22382	10SHS	Worm Bushing
5706	10QL4	Roller Clutch Assembly	17417	10L1T	Screw	22383	10SUC	Oscillating Guide A
5707	106MU	Bearing Washer	17438	10LFF	Screw	22384	10SU9	Main Shaft
5724	10JUY	Oscillating Slider Bushing	17441	10LJ3	Screw	22385	10SHP	Oscillating Slider
5820	105AA	Washer	17609	10BCF	Key Washer A	22386	10SUE	Idle Gear C
7583	105NC	E Lock	17610	10ATX	Line Clip	22387	10SU1	Idle Gear B Small
7597	10LCY	Screw	17611	10JQU	Line Clip Holder	22392	10SHY	Handle Knob Seal
7665	10L26	Screw	17612	10B03	Line Clip Spring	22394	10SUB	Drag Knob Assembly
8374	107FL	Ball Bearing	17614	10GH5	Spool Support B	22395	10SU7	Spool Assembly
9191	10ML9	Screw	17629	10EX6	Ball Bearing	22396	10SU3	Bail Arm
10079	10M2P	Retainer	17630	10DCS	Anti Reverse Cam Spring	22397	10S0K	Bail Assembly
10081	1031E	Drag Washer	17631	10HBN	Idle Gear	22398	10S0N	Rotor Assembly
12007	10JLZ	Line Roller	17700	10LFA	Screw	22399	10SUA	Handle Screw Cap
13725	10PLN	Key Washer B	17928	10IY5	Spool Support A	22400	101DG	Body Assembly
14096	10N2H	Eared Washer	18199	10ECK	Spacer	22401	10SU5	Side Cover
14101	104PW	Ball Bearing	18395	10KF7	Washer	22402	10SHT	Rear Protector
14171	104UJ	Bushing	18410	10EU0	Bushing	22403	10PMK	Screw
15102	1038F	Drag Click	18491	10RZJ	Rotor Brim	22404	10SHW	Handle Assembly
15150	105RZ	E Lock	18496	10QV4	Bail Spring Cover	22419	102A2	Drag Click Spring
15152	105YW	Bail Spring Guide A	18498	10QVG	Bail Hold Support Guard	22421	10G4M	Washer
15153	10HDL	Bail Spring Guide A Collar	19745	104FH	Washer	22812	14893	Oscillating Pawl
15154	105LK	Bail Spring	19765	100EY	Idle Gear B			
15155	107A8	Bail Spring Guide B	19831	1009E	O Ring			
15161	106PM	Lever Spring	20436	100CW	Washer			
15163	10764	Washer	21225	1008N	Screw			
15167	106M2	Worm Bushing	21354	10RQW	Spacer			
15168	1053M	Anti Reverse Cam	21378	10RQX	Bushing			
15169	10G2T	Anti Reverse Lever	21470	10R22	O Ring			
15175	10HAD	Oscillating Pawl Retainer	22364	10STY	Line Safety Guard Assembly			
15200	10A6G	Screw	22365	1054D	Bearing Retainer			
15652	103LG	Screw	22366	10SHN	Rotor Nut	22405	10SFR	Spare Spool Assembly (accessory)
15872	10MBE	Screw	22373	10SUH	Pinion Gear	16070	10EWH	Spool Economizer A (accessory)
16063	1085E	Bail Trip Lever	22374	10SHU	Idle Gear B Shaft	16072	10A9G	Spool Economizer C (accessory)