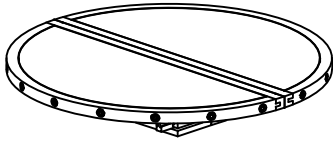


YOSEMITE ROUND TABLE ASSEMBLY INSTRUCTIONS

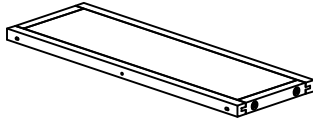


BOX #1

A. TABLE TOP 1PC

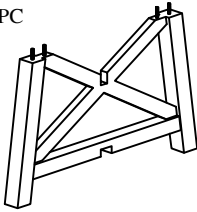


B. EXTENSION LEAF 1PC

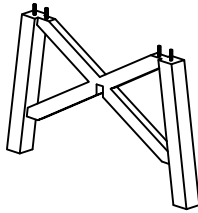


BOX #2

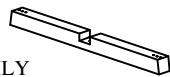
C. LEG FRAME A 1PC



D. LEG FRAME B 1PC

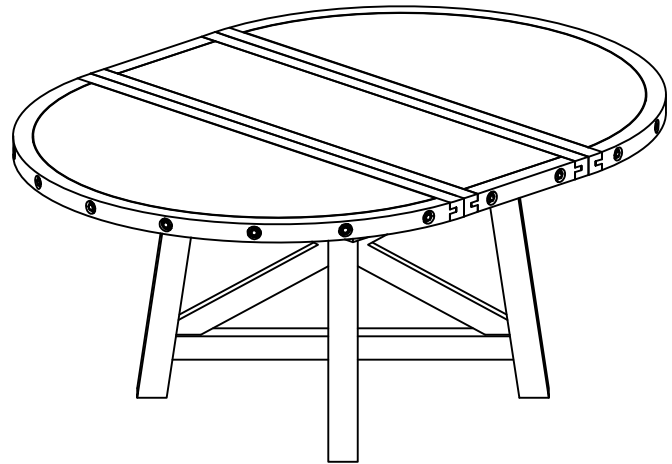


E. CROSS BAR 1PC



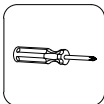
NOTE: PART E COMES TEMPORARILY ATTACHED TO PART D.

ROUND TABLE ASSEMBLED



HARDWARE PACKED IN BOX #1

1	ALLEN BOLT (8x50mm)	01 PC	2	FLAT WASHER (M9)	09 PCS	3	SPRING WASHER (M9)	09 PCS	4	ALLEN KEY (N4)	01 PC
5	HEX NUTS (M8)	08 PCS	6	SPANNER (N13)	01 PC	7	LOCKING LATCH	02 PCS	8	PHILLIPS SCREWS (M3/20)	08 PCS



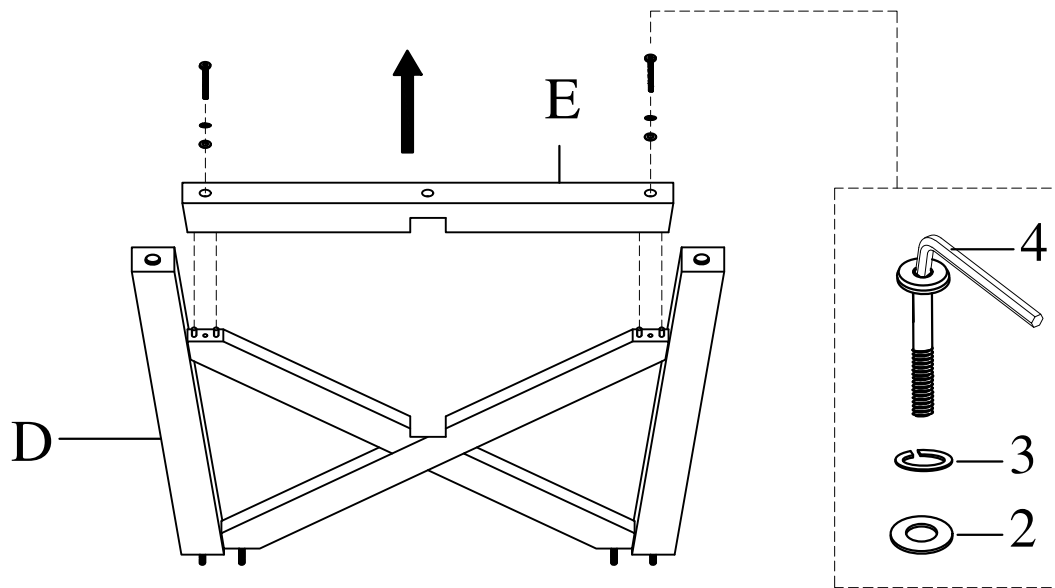
TOOL REQUIRED: PHILLIPS-HEAD SCREW DRIVER (NOT PROVIDED)

YOSEMITE ROUND TABLE ASSEMBLY INSTRUCTIONS

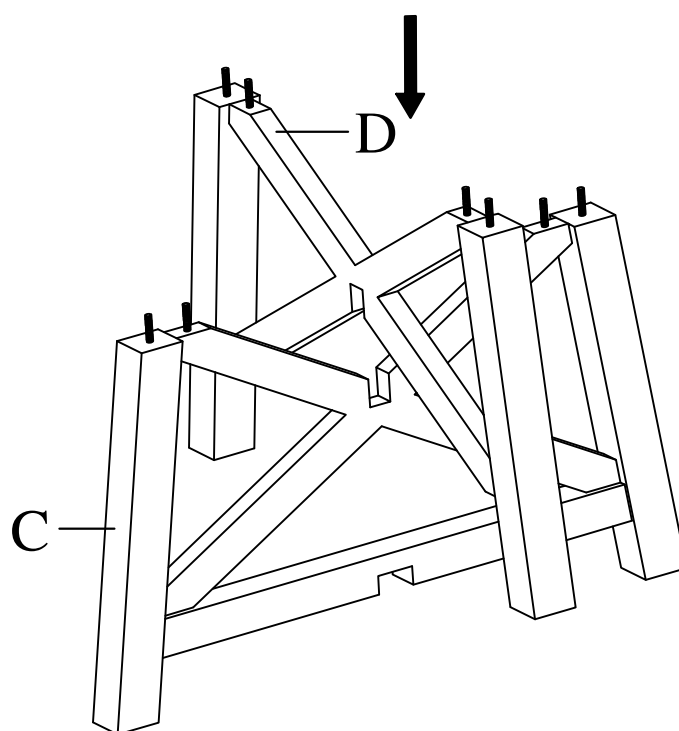


STEP 1:

REMOVE CROSS BAR (E) FROM LEG FRAME B (D) AS SHOWN BELOW. SAVE BOLTS AND WASHERS FOR LATER USE IN THE ASSEMBLY STEPS.



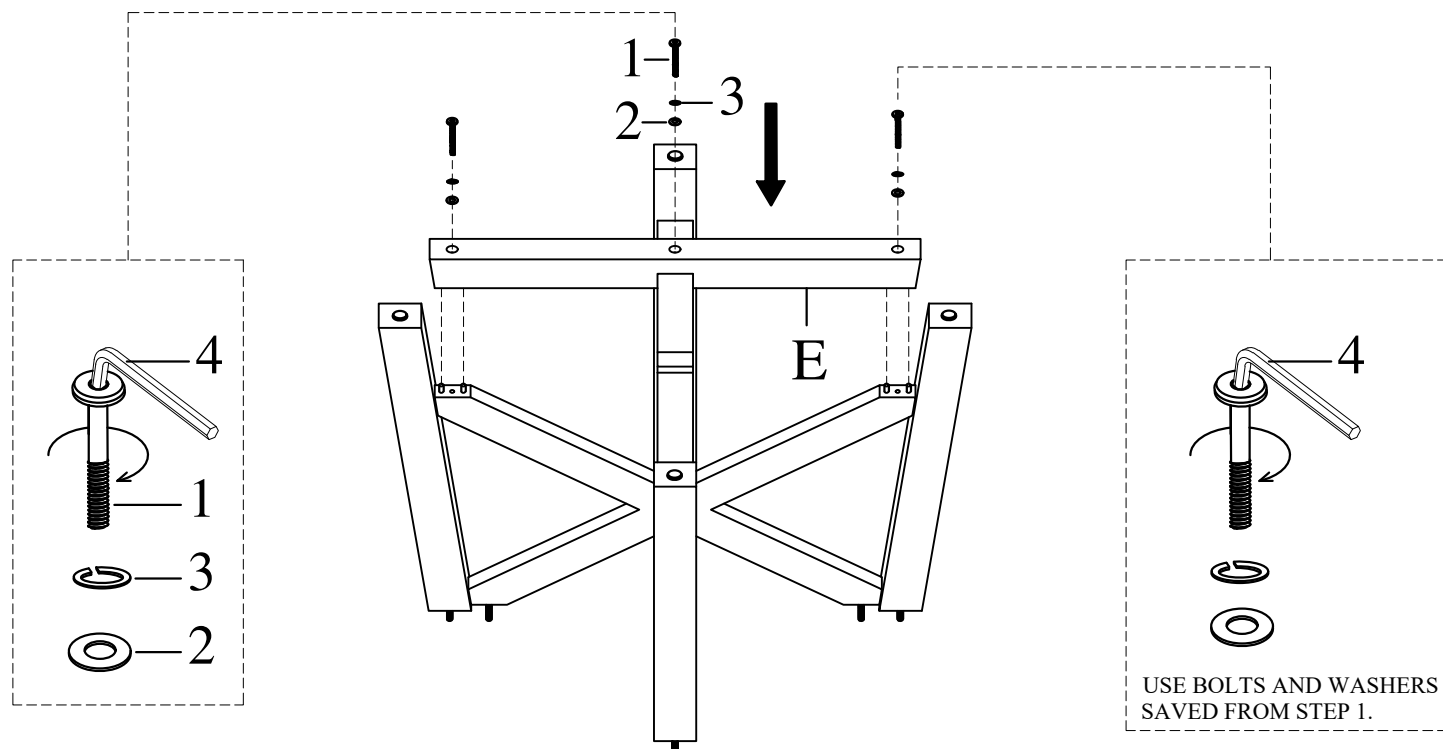
STEP 2:



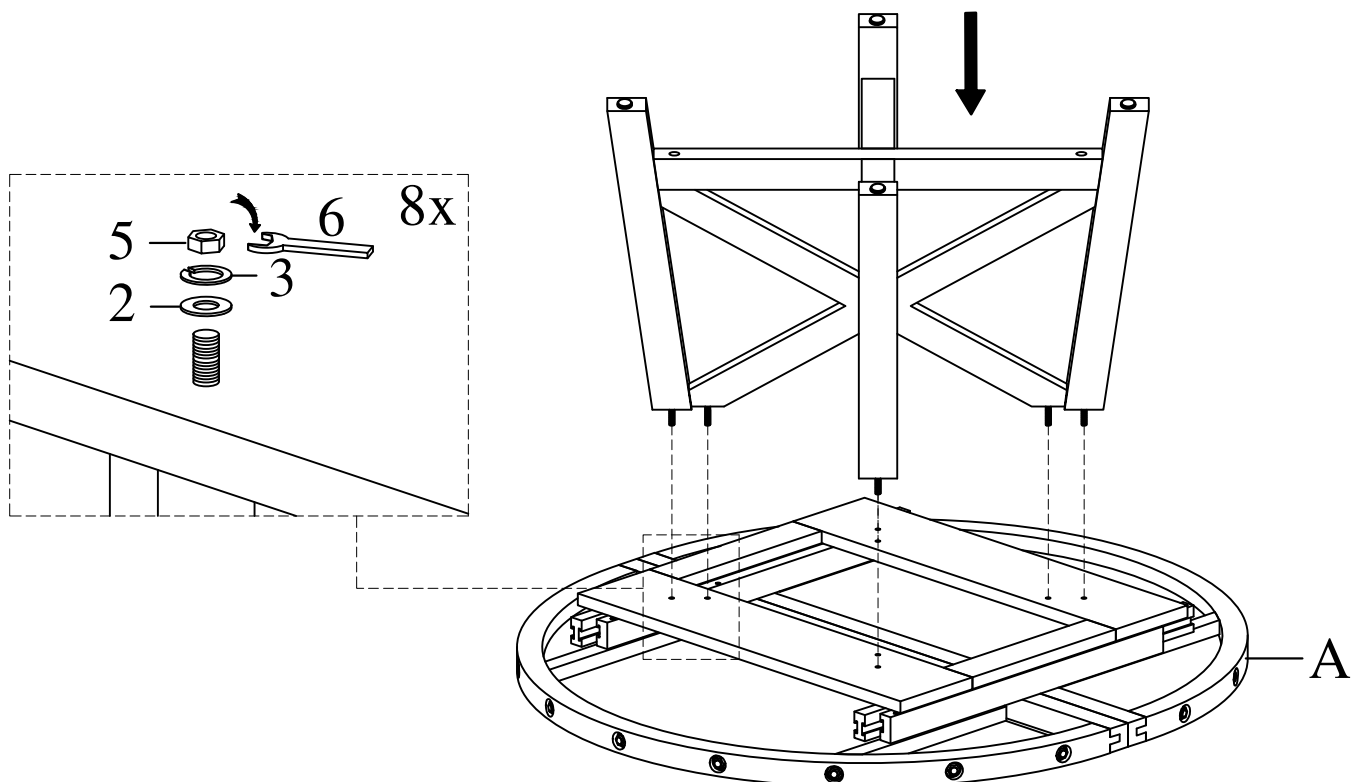
YOSEMITE ROUND TABLE ASSEMBLY INSTRUCTIONS



STEP 3:



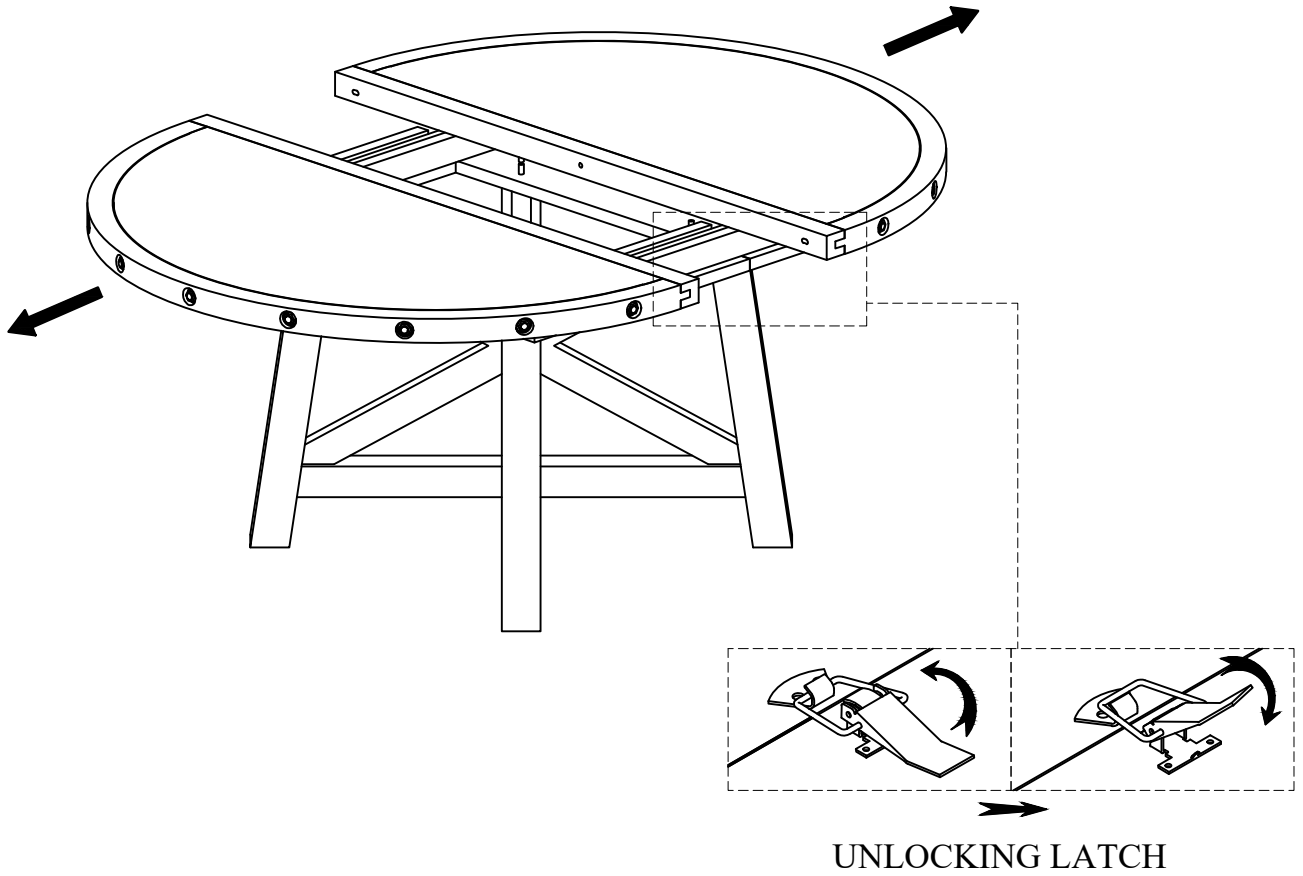
STEP 4:



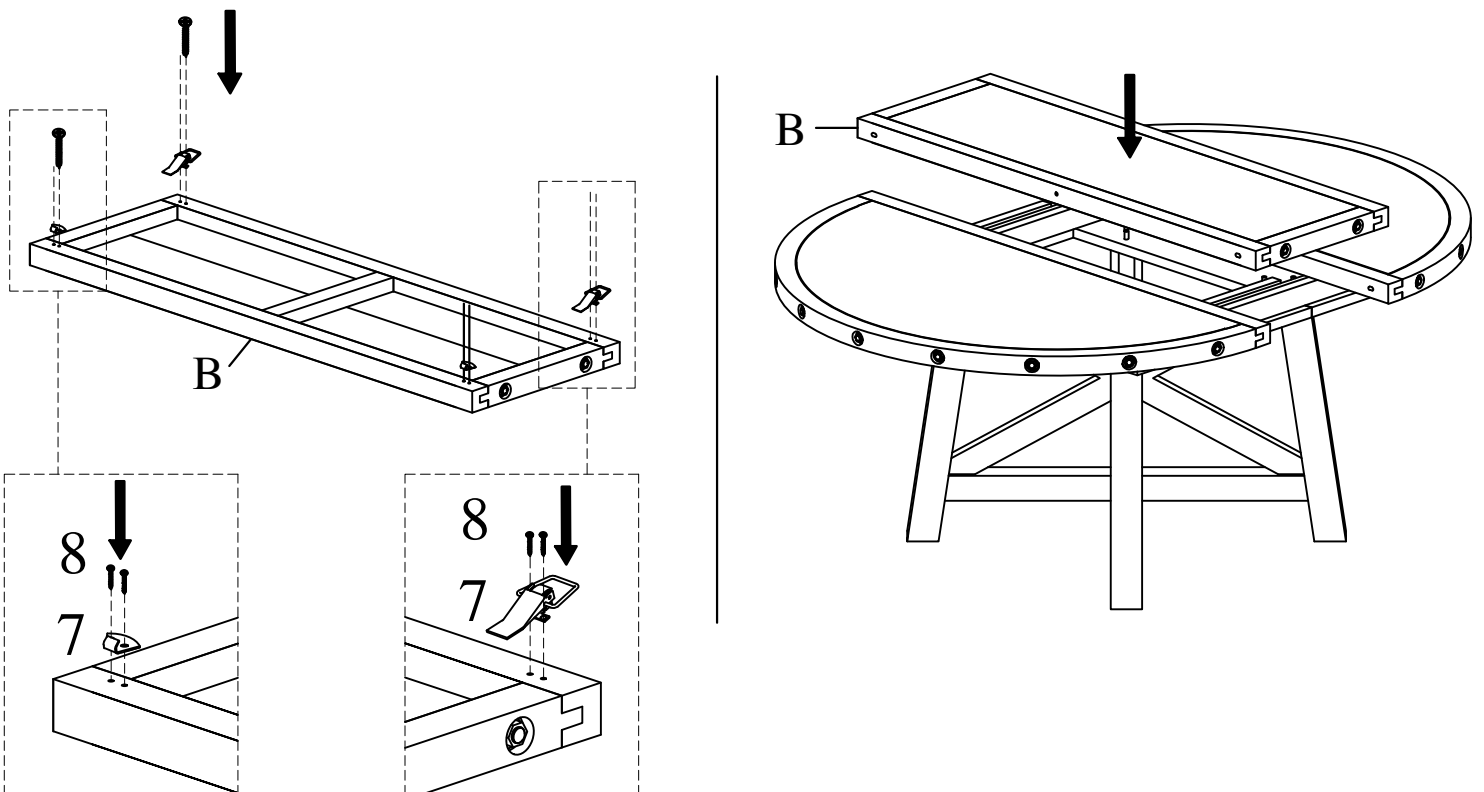
YOSEMITE ROUND TABLE ASSEMBLY INSTRUCTIONS



STEP 5:



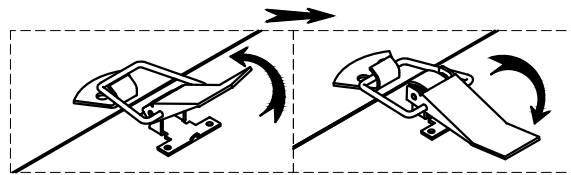
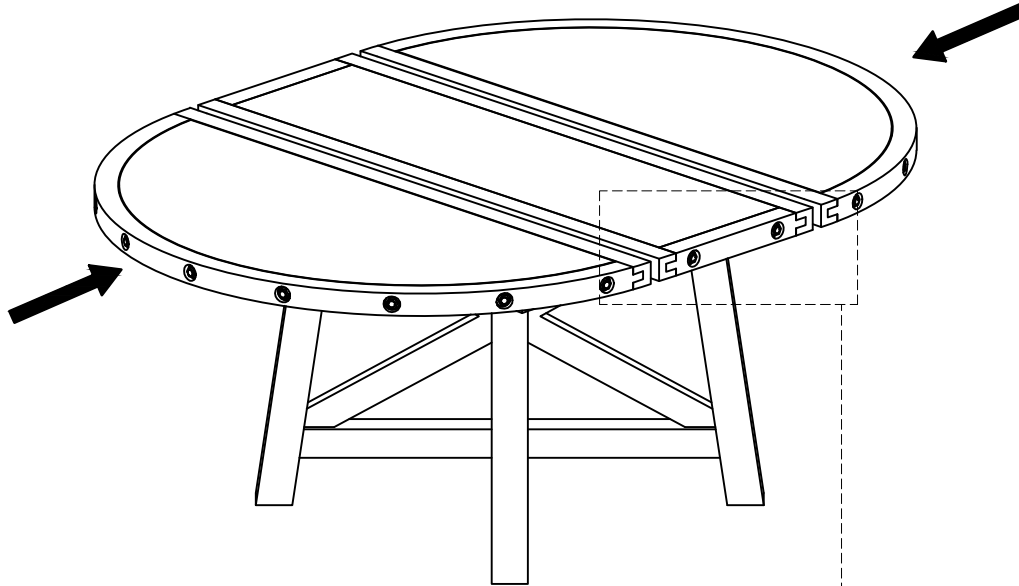
STEP 6:



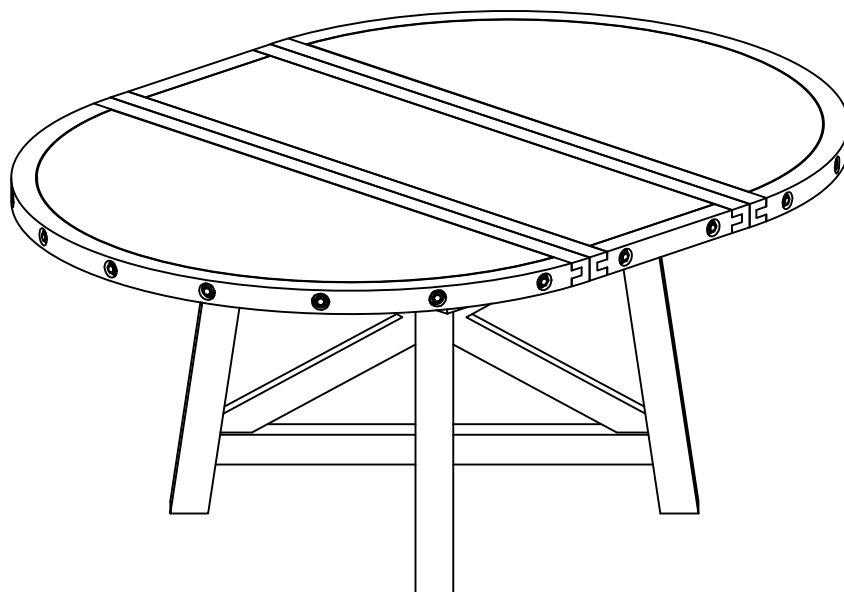
YOSEMITE ROUND TABLE ASSEMBLY INSTRUCTIONS



STEP 7:



LOCK



ASSEMBLY COMPLETE.