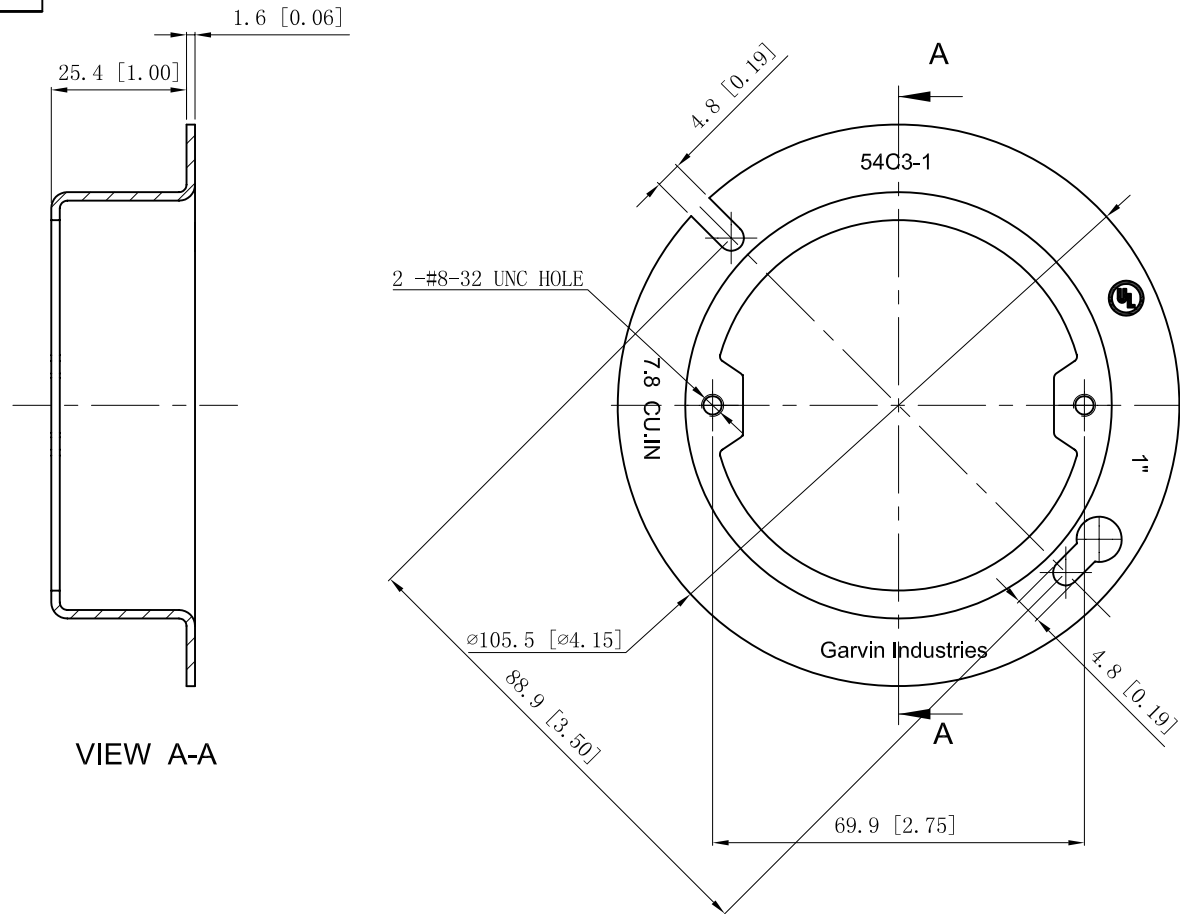


SIDES	BOTTOM
Material: Steel-0.0625"-(G60 or C. R. S) Galvanized	



This data sheet is for reference only .GARVIN INDUSTRIES reserves the right to make changes to the design without prior notice.

DESCRIPTION
TRADE REFERENCE TERMS

STANDARD PACKING
25 PCS

GARVIN INDUSTRIES			
TITLE 4"OCTAGON BOX COVERS			
SIZE A4	DWG NO. 54C3-1	REV A	
DATA SHEET			