

AXOR ShowerSelect
Thermostatic Trim Round for 1 Function
 Finishes : **chrome** Part no. : **36722001**



Description

Features

- Select push-button on/off control for 1 outlet
- Flow: 7.0 GPM (26.5 L/Min)
- Thermostatic cartridge, Start/stop cartridge
- Anti-scald 100° safety stop
- Optimized for water-efficient shower products
- Thermostat is delivered with On/Off button

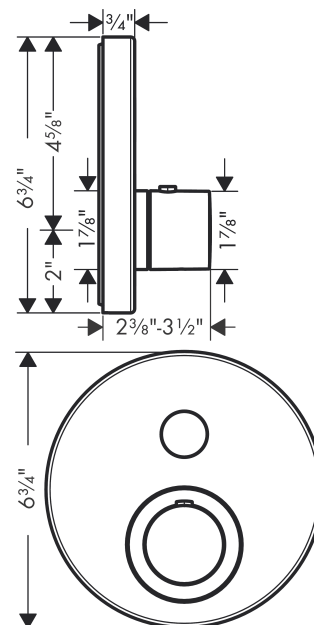
Technology



Product image



Scale drawing

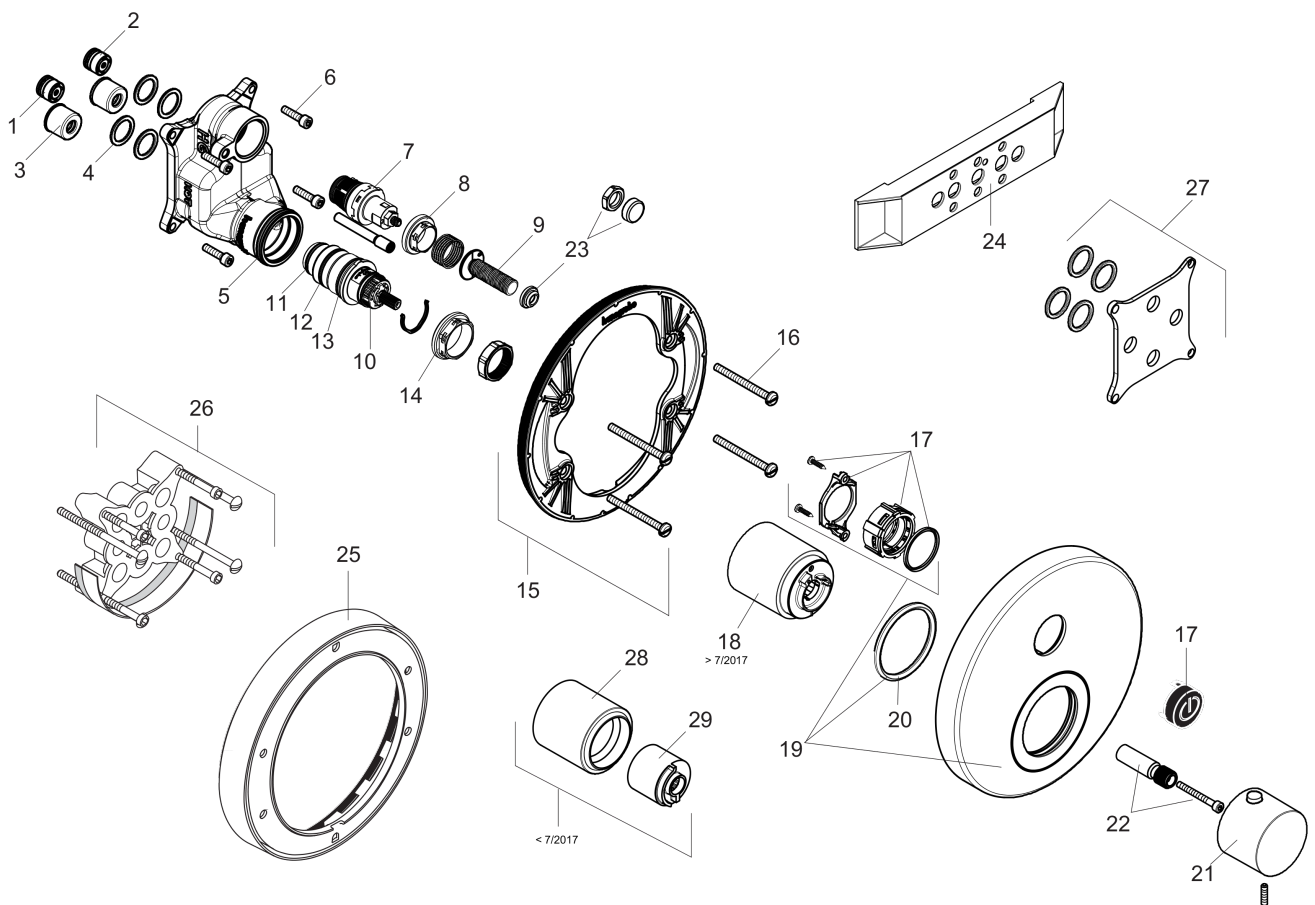


AXOR ShowerSelect
Thermostatic Trim Round for 1 Function
Finishes : **chrome** Part no. : **36722001**



Exploded drawing

Year of production: >01/16



AXOR ShowerSelect
Thermostatic Trim Round for 1 Function
 Finishes : **chrome** Part no. : **36722001**



Spare parts list

Year of production: >01/16

Pos.	Description	Part no.	PC	PU
1	non return valve (pressure-resistant up to 2 MPa)	92594000	0	1
2	non return valve	97980000	0	1
3	noise reduction	94073000	0	1
4	O-ring 16x2	98133000	0	1
5	O-ring 36x2	98156000	0	1
6	set of screws	96525000	0	1
7	shut off unit	95758000	0	1
8	nut	98368000	0	1
9	Select-adapter	92219000	0	1
10	thermostat cartridge	98282000	0	1
11	O-ring 20x1,5	98197000	0	1
12	O-ring 25x1,5	98146000	0	1
13	O-ring 25x2,5	92146000	0	1
14	nut	98913000	0	1
15	sub plate	96447000	0	1
16	set of fixing screws	96454000	0	1
17	set of symbols	92544610	0	1
18	sleeve	92216000	0	1
19	escutcheon Ø 170 mm	92641001	0	1
20	O-ring 48x4	98414000	0	1
21	handle for thermostat	92534000	0	1
22	adapter for handle	98701000	0	1
23	nut and flange	92696000	0	1
24	fit-up aid	92540000	0	1
25	extension 22 mm (Ø 170 mm)	13596000	0	1
26	extension 25 mm	13595000	0	1
27	compensation set 1°	95521000	0	1
28	sleeve	92546000	0	1
29	safety set for temperature control	97334000	0	1
a	Grease	90920000	0	1
b	set of fixing screws	97747000	0	1
c	symbol head shower Rain large	93571610	0	1
d	symbol head shower Rain small	93572610	0	1
e	symbol handshower	93573610	0	1

AXOR ShowerSelect
Thermostatic Trim Round for 1 Function
 Finishes : **chrome** Part no. : **36722001**



Spare parts list

Year of production: >01/16

Pos.	Description	Part no.	PC	PU
f	symbol Flood jet	93574610	0	1
g	symbol Whirl	93575610	0	1
h	symbol Mono	93576610	0	1
i	symbol tub	93577610	0	1
j	symbol body shower	93578610	0	1
k	symbol ON/OFF	93579610	0	1
l	cartridge for exchanged connections	92373000	0	1