

Features

- Touchless on/off with a wave of your hand or an object such as a pan
- Response® technology uses a state-of-the-art motion sensor for reliable touchless activation
- AC-powered operation—no batteries to replace
- Three-function pull-down sprayhead with touch control allows you to switch between aerated stream, ring spray and Boost technology
- ProMotion® technology's light, quiet braided hose and swiveling ball joint make the pull-down sprayhead easier and more comfortable to use
- MasterClean™ sprayface features an easy-to-clean surface that withstands mineral buildup and maximizes spray performance
- DockNetik® secure docking system locks sprayhead into place when not in use

Installation

- Requires nonswitched undercounter outlet
- Single-hole or three-hole installation (escutcheon plate included)

Recommended Products/Accessories

- K-77686 Double-cartridge water filtration system
- K-77687 single replacement filter cartridge
- K-77688 Replacement Filter Cartridges, Two-Pack
- 1012715 Kitchen Faucet Deep Rough-In Kit



ADA **CSA B651**

Codes/Standards

ASME A112.18.1/CSA B125.1
NSF/ANSI/CAN 61
NSF/ANSI/CAN 372
DOE - Energy Policy Act 1992
California Energy Commission (CEC)
ADA
ICC/ANSI A117.1
CSA B651
NOM Standards
NOM 012-CONAGUA

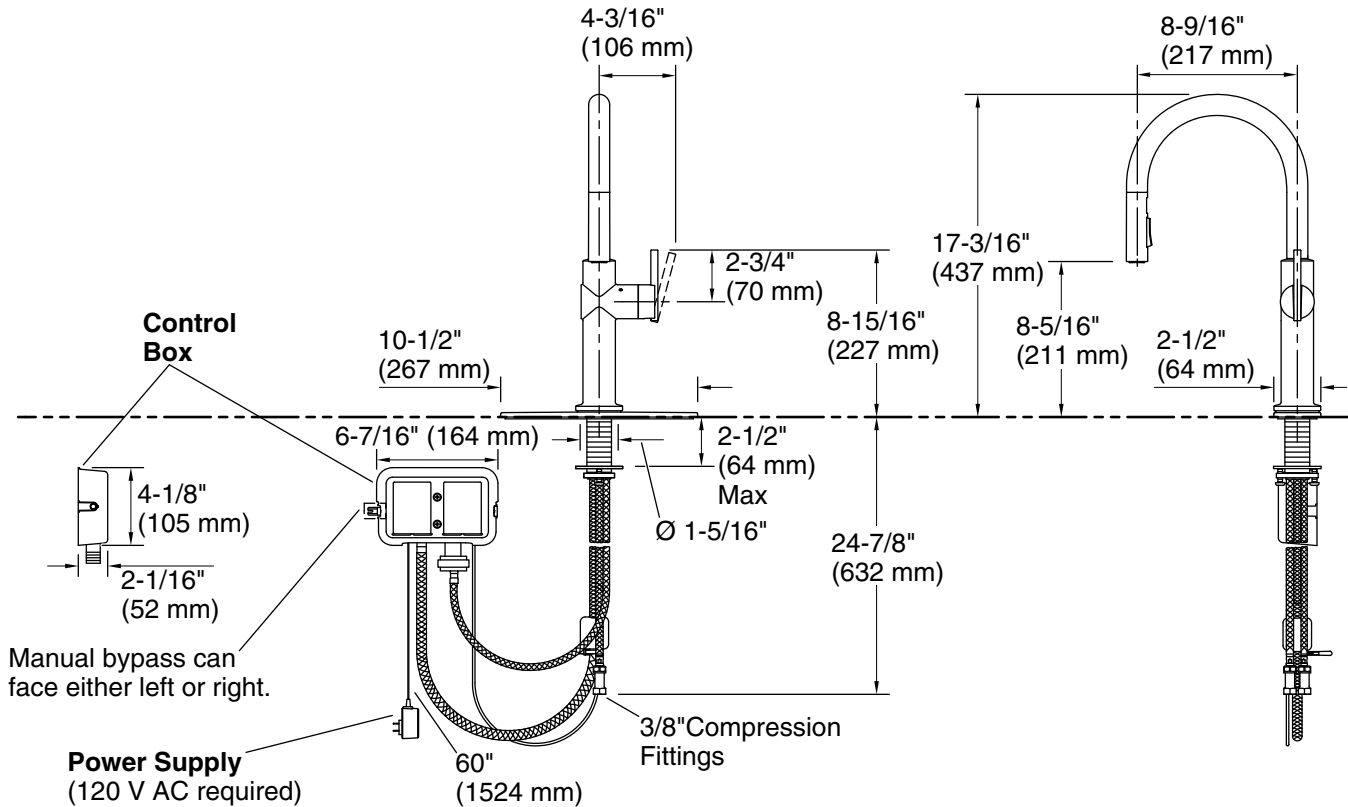
**KOHLER® Electronic Faucets,
Valves, and Controls Five-Year
Limited Warranty KOHLER® Faucet
Lifetime Limited Warranty**

See website for detailed warranty information.

Available Colors/Finishes

Color tiles intended for reference only.

Color	Code	Description
	CP	Polished Chrome
	VS	Vibrant® Stainless
	BL	Matte Black
	2MB	Vibrant® Brushed Moderne Brass



Required Electrical Service

One dedicated circuit required, protected with Class A Ground-Fault Circuit-Interrupter (GFCI). Outside North America, this device may be known as a Residual Current Device (RCD).
 120 V, 0.15 A, 50/60 Hz

Technical Information

All product dimensions are nominal.

Power source: Plug - AC, included

Faucet flow rate: 1.5 gal/min (5.7 l/min)

Spout:

Spout reach: 8-9/16" (217 mm)

Notes

Install this product according to the installation instructions.

ADA compliant for faucet handles only

ADA, CSA B651 compliant when installed to the specific requirements of these regulations.