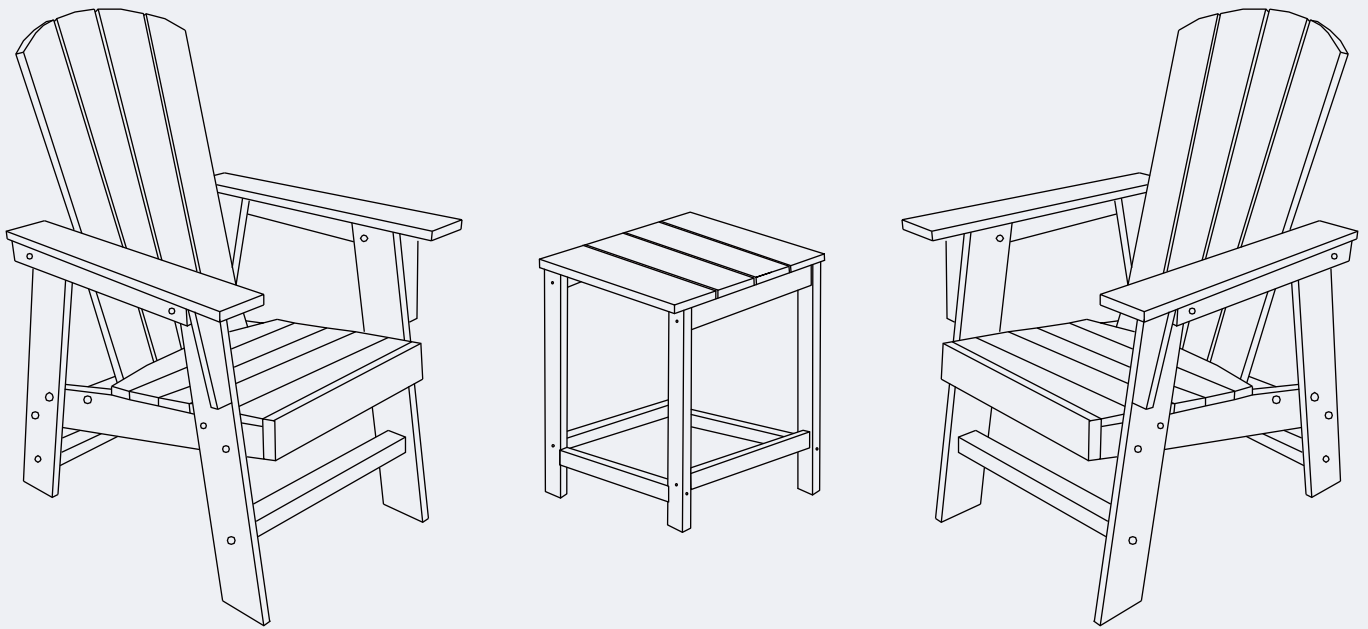


INSTRUCTION MANUAL



Kids 3-Piece Poly Set

V1.0

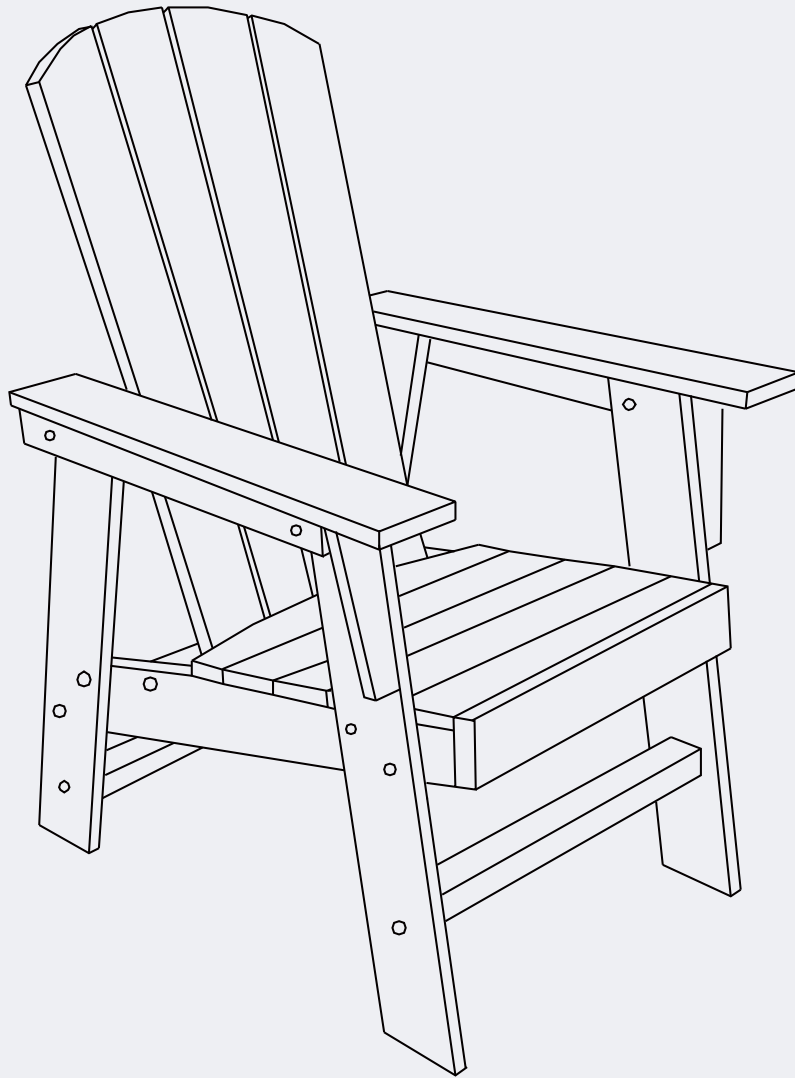
TABLE OF CONTENTS

ASSEMBLY INSTRUCTIONS

Kids Outdoor Poly Adirondack Chair..... 3

Kids Outdoor Poly Adirondack Side Table..... 10

INSTRUCTION MANUAL



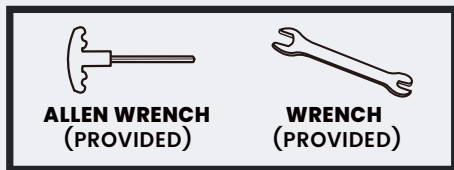
Kids Outdoor Poly Adirondack Chair

! NOTICE

Do not overtighten screws. (Insert all screws before tighten screws.)

- Be careful when assembly, avoid hurting the top surface.
- Clean the table with lukewarm water, mild detergent & soft cloth.
- Firmly secure all bolts before use, do not use any part of this item as a step ladder.
- Reconfirm that all bolts, screws, and nuts are secure every 90 days.
- Do not use or store this item in the proximity of open flame or flammable/combustible chemicals.
- Be aware that some parts are heavy and have sharp edges.
- Do not overtighten screws. (Insert all screws before tighten screws.)
- Please do not exceed the weight limitations of this item.

TOOLS REQUIRED



CHAIR
300 LBS
CAPACITY

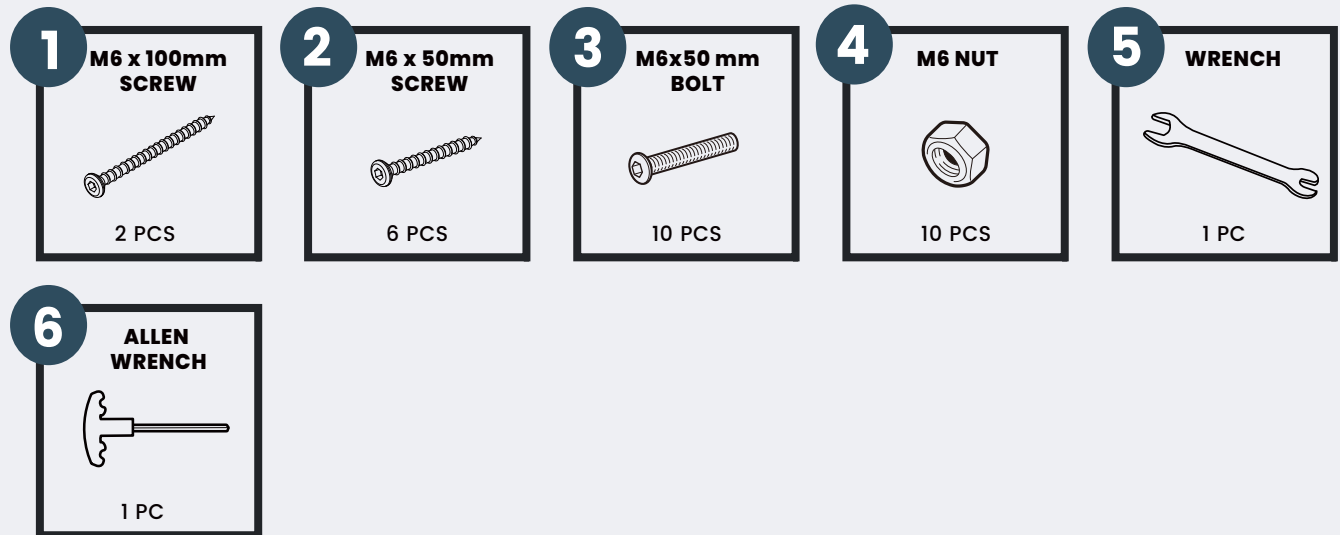


1 PERSON
ASSEMBLY

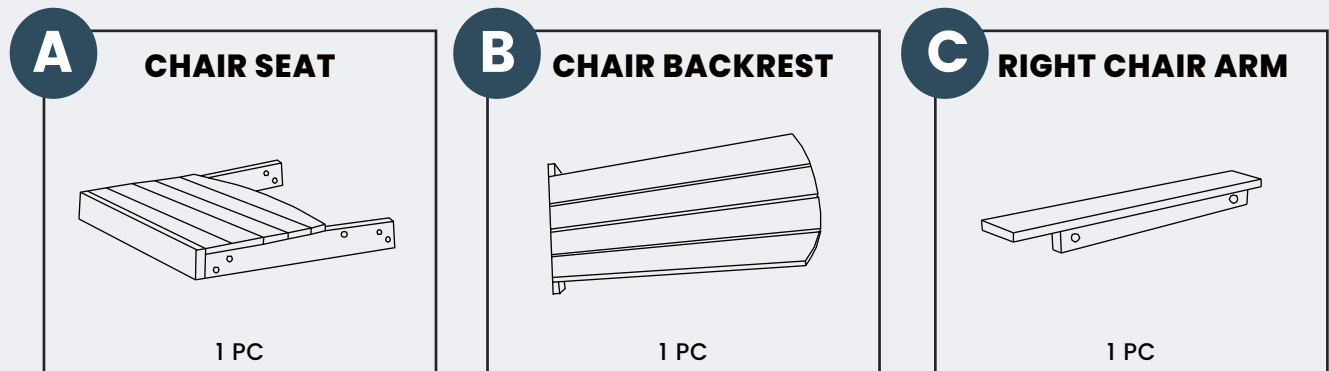


UP TO 20 MIN.
ASSEMBLY

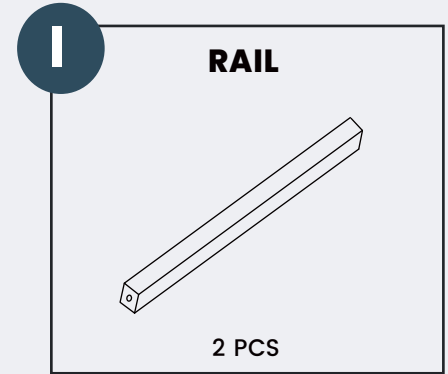
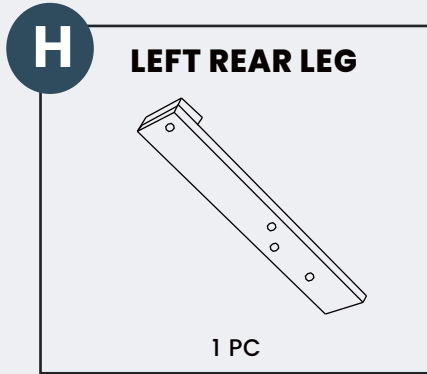
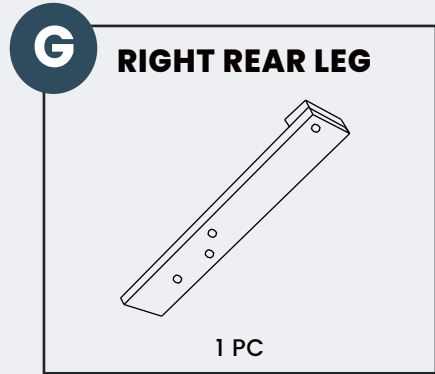
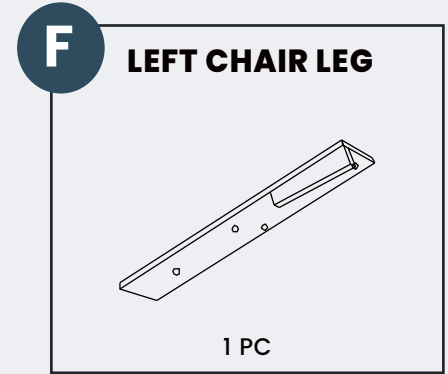
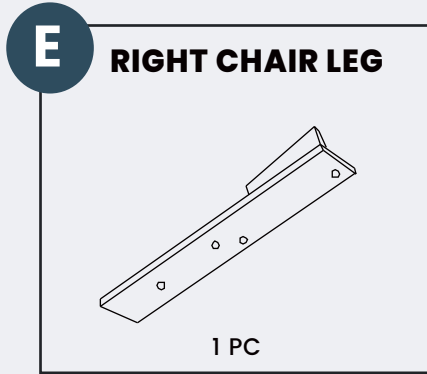
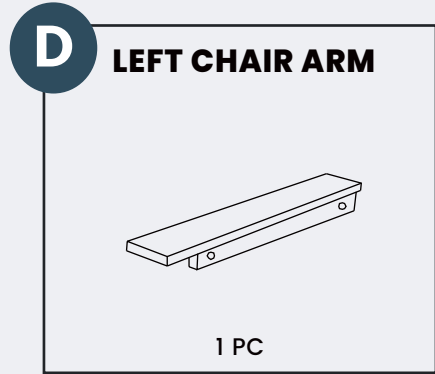
HARDWARE



PARTS

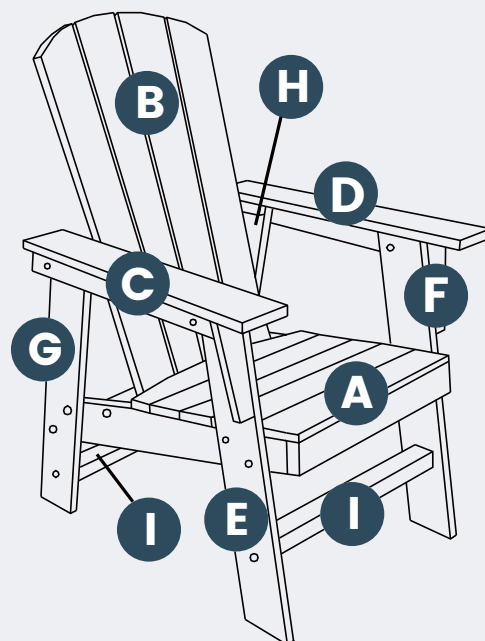


PARTS



PRODUCT ASSEMBLY - OVERALL VIEW

Look at the overall view of this chair and learn the exact position of each part to be assembled.

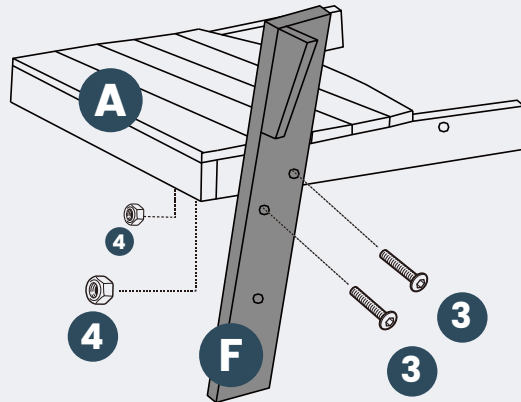


PRODUCT ASSEMBLY

1

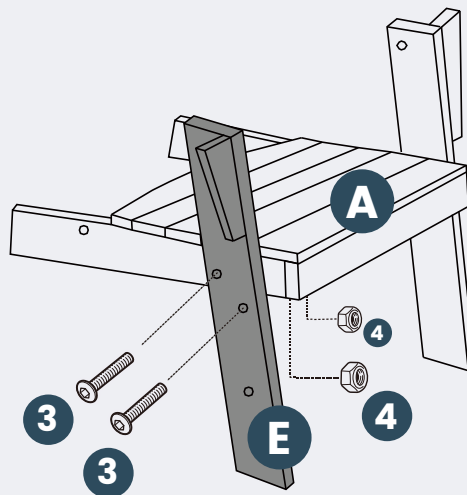
Attach **Part F Left Chair Leg** to **Part A Chair Seat** with 2 sets of **Hardware #3 Bolt** and **Hardware #4 Nut**.

Do not tighten screws and bolts too much at this stage.



2

Attach **Part E Right Chair Leg** to the **Part A Chair Seat** with 2 sets of **Hardware #3 Bolt** and **Hardware #4 Nut**.

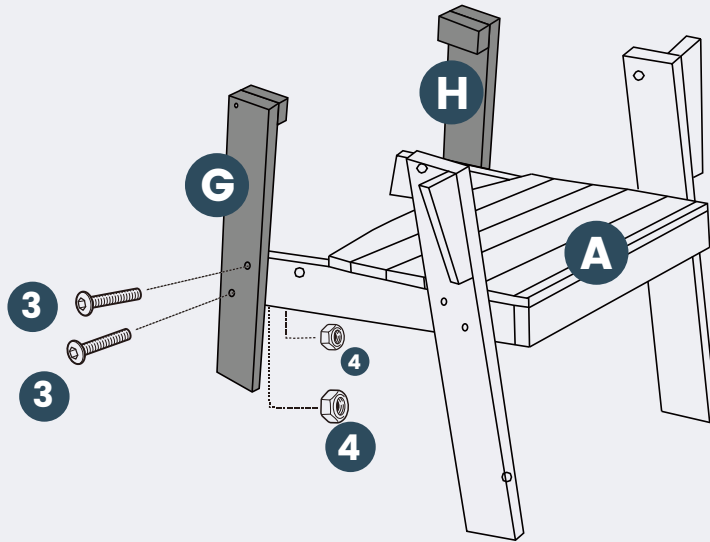


PRODUCT ASSEMBLY

3

Attach **Part G Right Rear Leg** to **Part A Chair Seat** with 2 sets of **Hardware #3 Bolt** and **Hardware #4 Nut**.

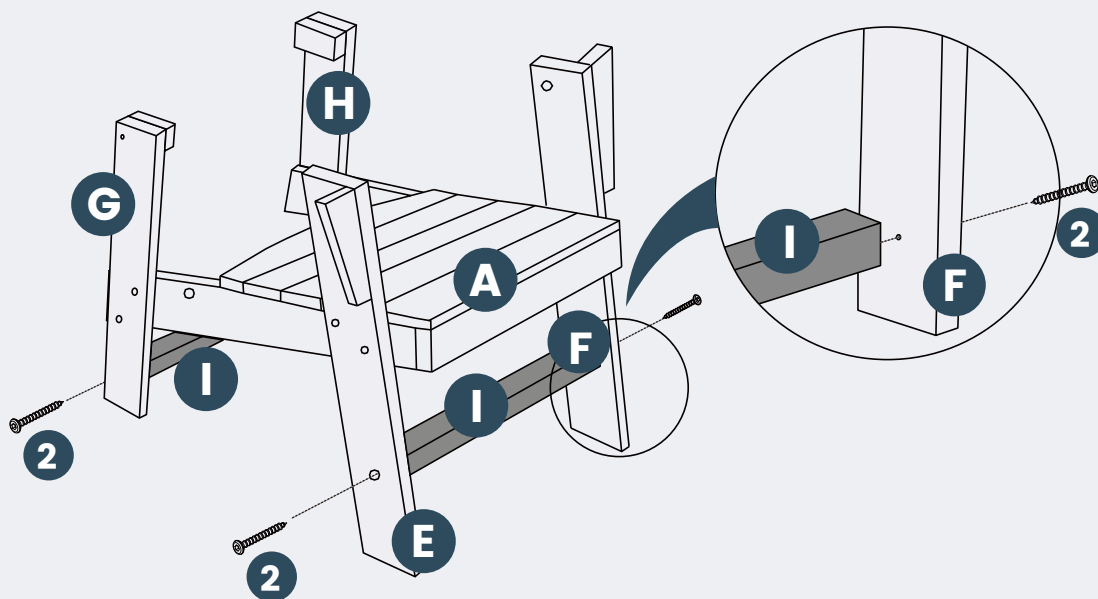
Do the same of **Part H Left Rear Leg** to **Part A Chair Seat**.



4

Attach **Part I Rail** to **Part E** and **Part F Chair Legs** with 2 pcs of **Hardware #2 Screw**.

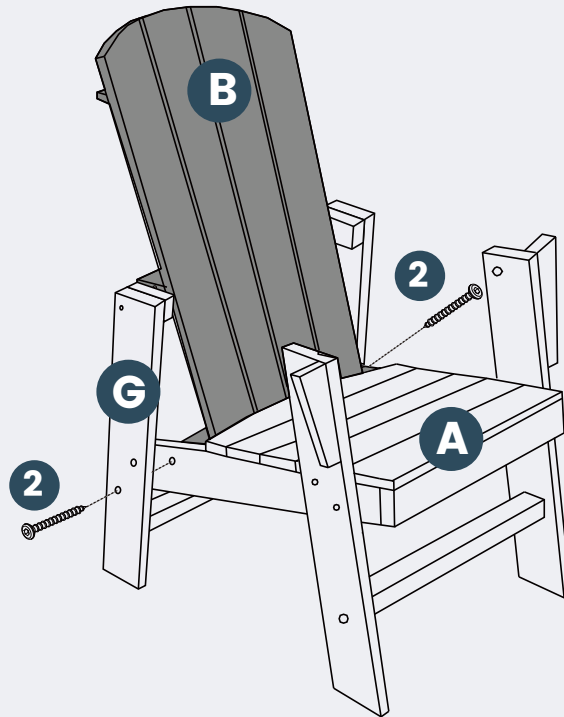
Attach **Part I Rail** to **Part G** and **Part H Rear Legs** with 2 pcs of **Hardware #2 Screw**.



PRODUCT ASSEMBLY

5

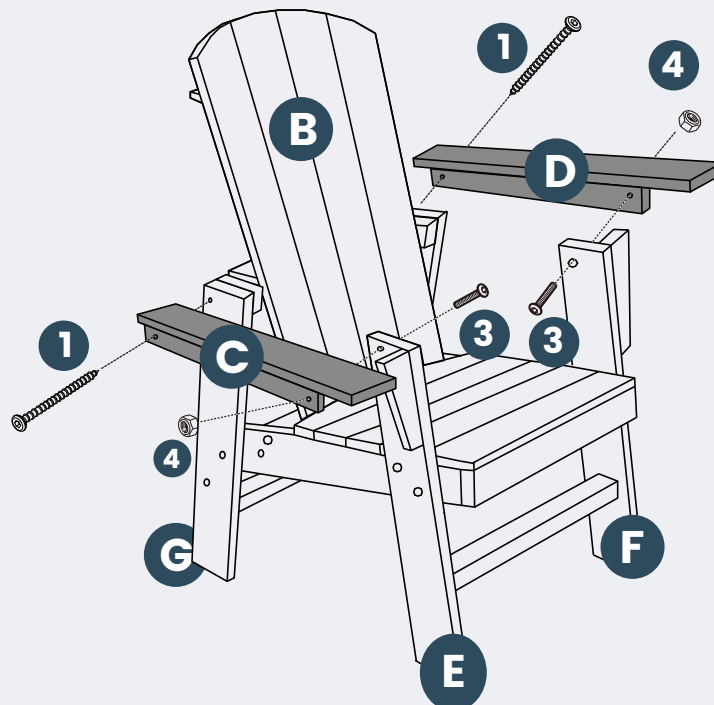
Attach **Part B Chair Backrest** to **Part A Chair Seat** with 2 pcs of **Hardware #2 Screw**.



6

Place **Part C Right Chair Arm** onto **Part E Right Front Leg** and **Part G Right Rear Leg** and fix them with 1 pc of **Hardware #1 Screw**, 1 set of **Hardware #3 Bolt** and **Hardware #4 Nut**.

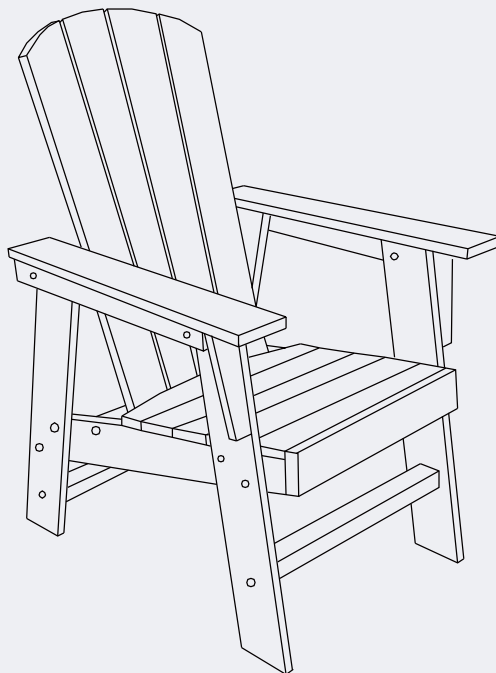
Do the same to attach another **Part D Left Chair Arm** to **Part F** and **H Left legs** with 1 pc of **Hardware #1 Screw**, 1 set of **Hardware #3 Bolt** and **Hardware #4 Nut**.



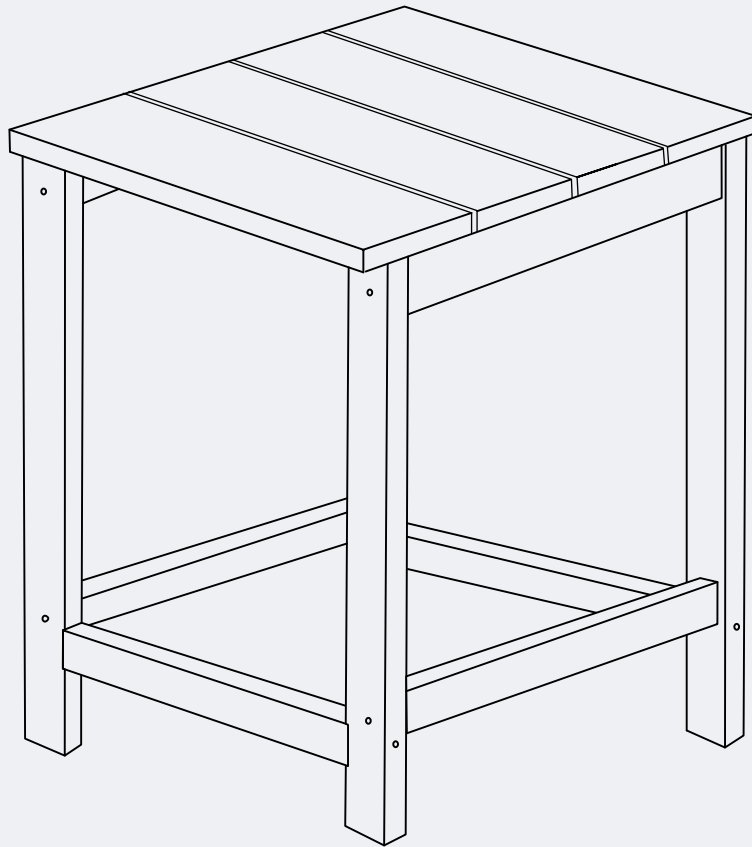
PRODUCT ASSEMBLY

7

Tighten all the bolts and lock nuts as well as the screws again to ensure the steady of this chair.



INSTRUCTION MANUAL



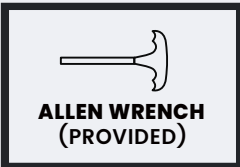
Kids Outdoor Poly Adirondack Side Table

! CARE & MAINTENANCE

Please keep this instruction for your future reference.

- Be careful when assembly, avoid hurting the top surface.
- Clean the table with lukewarm water, mild detergent & soft cloth.
- Firmly secure all bolts before use, do not use any part of this item as a step ladder.
- Reconfirm that all bolts, screws, and nuts are secure every 90 days.
- Do not use or store this item in the proximity of open flame or flammable/combustible chemicals.
- Be aware that some parts are heavy and have sharp edges.
- Do not overtighten screws. (Insert all screws before tighten screws.)
- Please do not exceed the weight limitations of this item.

TOOLS REQUIRED



**TABLE
50 LBS
CAPACITY**

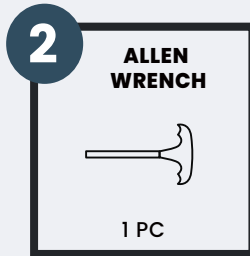
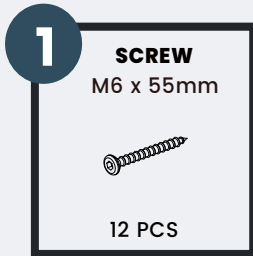


**1 PERSON
ASSEMBLY**

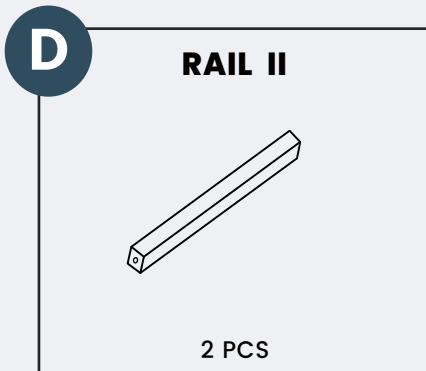
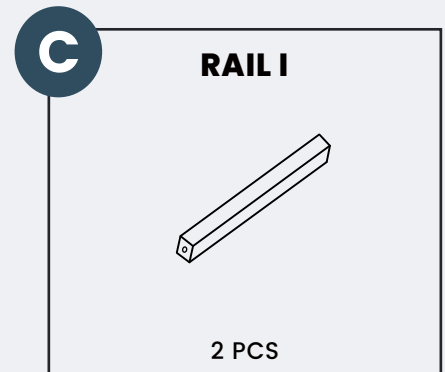
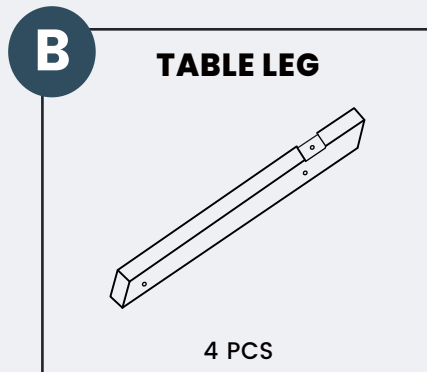
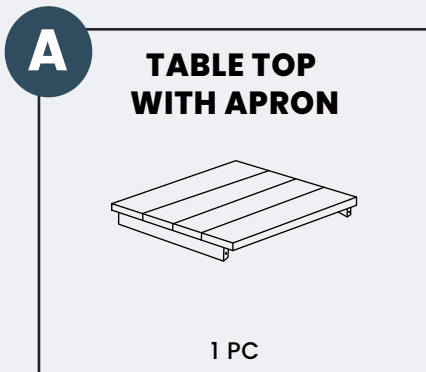


**UP TO 20 MIN.
ASSEMBLY**

HARDWARE

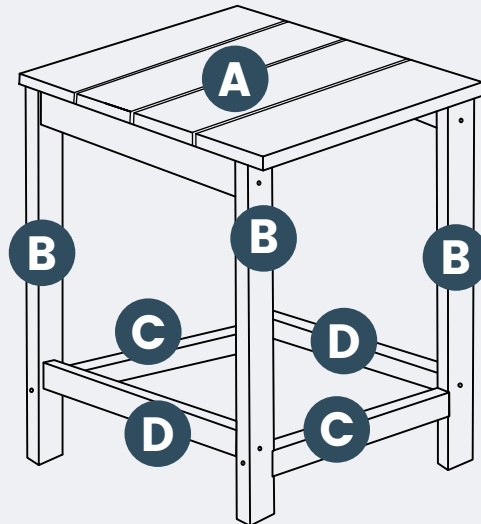


PARTS



PRODUCT ASSEMBLY – OVERALL VIEW

Look at the overall view of this table and learn the exact position of each part to be assembled.

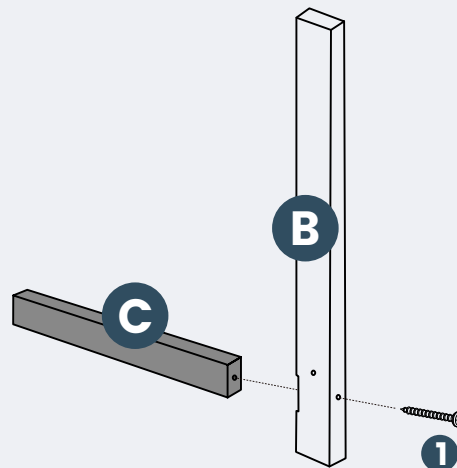


PRODUCT ASSEMBLY

1

Place **Part C Rail 1** in to the mortise of **Part B Table Legs** and attach with 1 pc of **Hardware #1 Screw**.

Do not tighten screws too much at this stage.

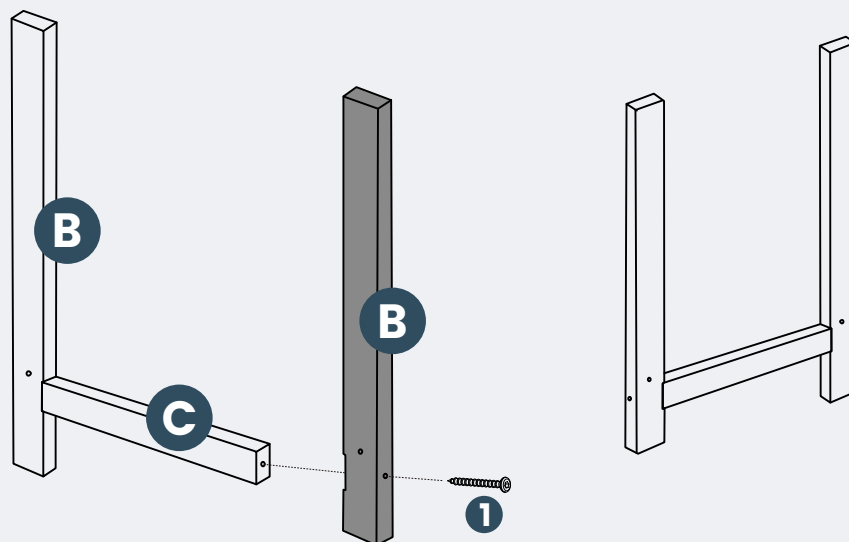


PRODUCT ASSEMBLY

2

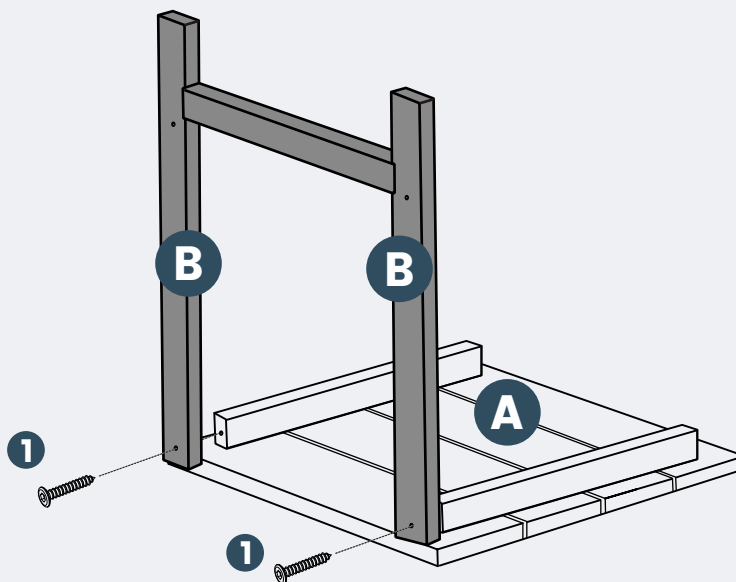
Attach another **Part B Table Legs** to **Part C Rail I** with 1 pc of **Hardware #1 Screw**.

Do the same to attach another set of **Part B** and **C**.



3

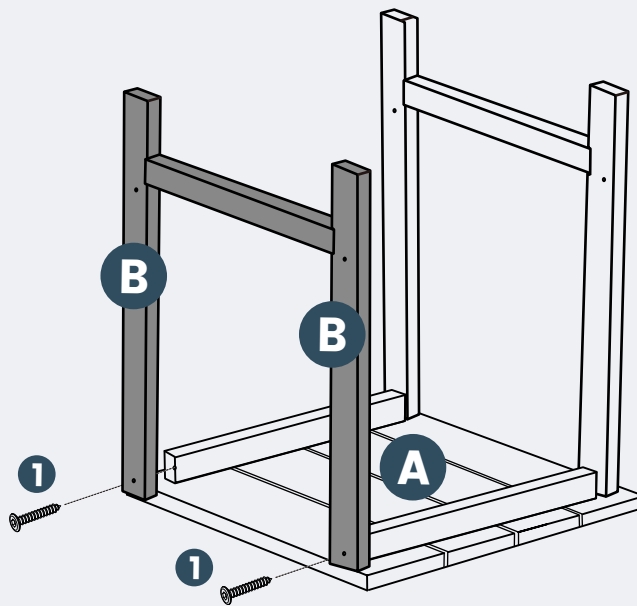
Loosely attach the combined **Part B** and **C** to the aprons of **Part A Table Top** with 2 pcs of **Hardware #1 Screw**.



PRODUCT ASSEMBLY

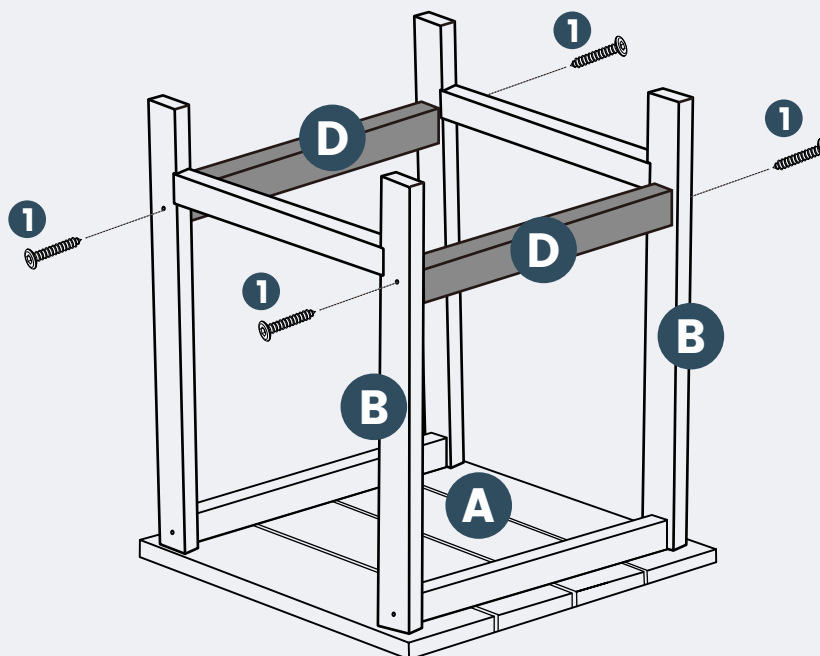
4

Attach the other combined **Part B** and **C** to the aprons of **Part A Table Top** with 2 pcs of **Hardware #1 Screw**.



5

Place the other 2 pcs of **Part D Rail II** between **Part B Table Legs** and attach them with 4 pcs of **Hardware #1 Screw**.

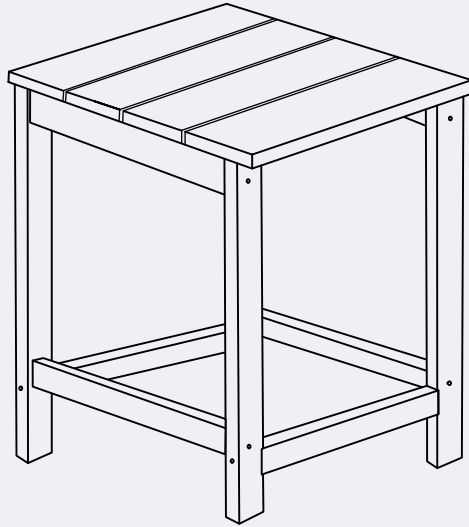


PRODUCT ASSEMBLY

6

Tighten all the screws when all the parts are loosely attached.

Turn over the table and enjoy it now.



CLEANING TIPS

REGULAR CLEAN: Use a mixture of warm water and mild soap. Gently scrub the surface with a soft bristle brush to remove any dirt or stains.

QUICK CLEAN: You can simply wipe down the furniture with a damp cloth.

Regular cleaning not only preserves the aesthetic appeal of your furniture, but also helps extend its lifespan.