








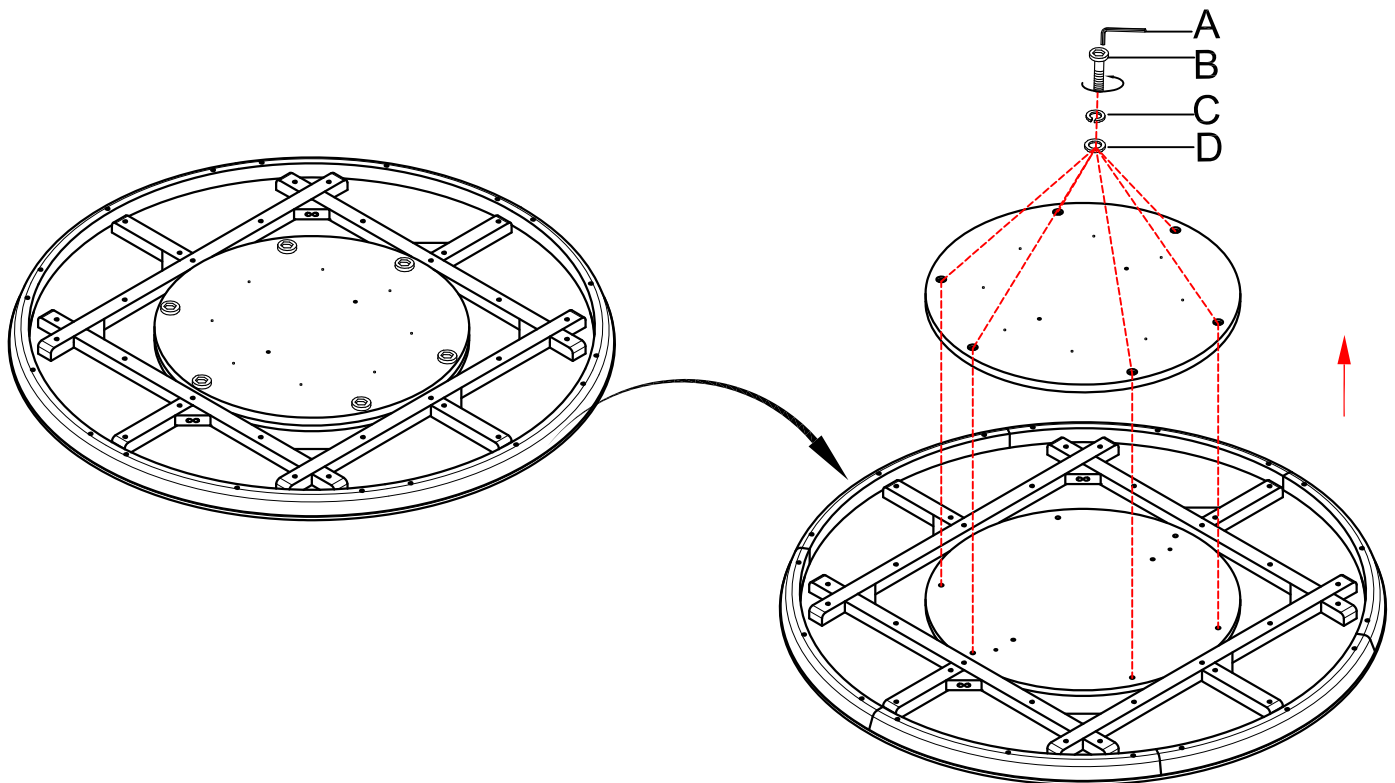
# ASSEMBLY INSTRUCTION

ITEM: 6952-75203T-80 Round Dining Table Top  
6952-75203B-85 Round Dining Table Barrel Base

Thank you for purchasing this quality product. Be sure to unpack carefully looking for small parts which may have come loose during shipment.  
Read all instruction and study the drawing carefully before starting the assembly process.

| HARDWARE PACK |   |              |           |        |
|---------------|---|--------------|-----------|--------|
| NO.           | DRAWING   | DESCRIPTION  | SIZE      | Q'TY   |
| A             |  | Allen Wrench | 73*29*5mm | 1 PC   |
| B             |  | Bolt         | 5/16*35mm | 12 PCS |
| C             |  | Lock Washer  | 5/6"      | 12 PCS |
| D             |  | Flat Washer  | 5/6"      | 12 PCS |

| PART LIST |   |                |      |
|-----------|---|----------------|------|
| NO.       | DRAWING   | DESCRIPTION    | Q'TY |
| ①         |  | Table Top      | 1 PC |
| ②         |  | Bottom Base    | 1 PC |
| ③         |  | Mounting Plate | 1 PC |



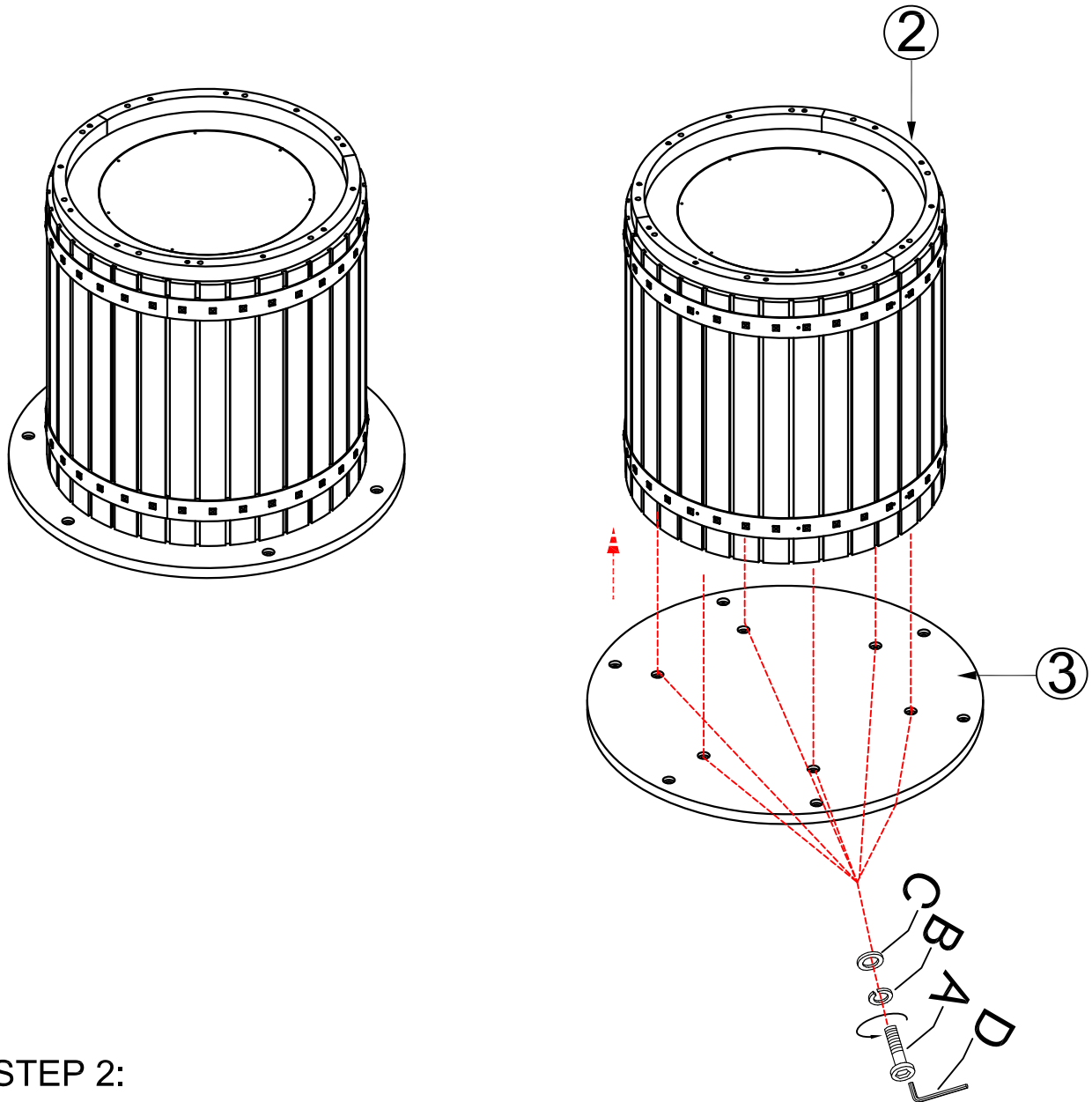
**STEP 1:**

Remove the mounting plate (3) from the table top (1).

ITEM: 6952-75203T-80 Round Dining Table Top  
6952-75203B-85 Round Dining Table Barrel Base

Thank you for purchasing this quality product. Be sure to unpack carefully looking for small parts which may have come loose during shipment.

Read all instruction and study the drawing carefully before starting the assembly process.



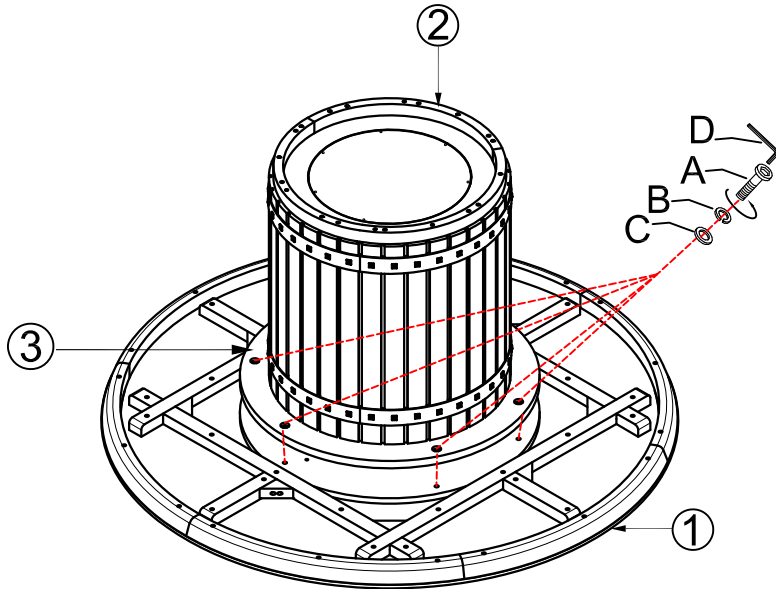
**STEP 2:**

Attach the mounting plate (3) to the bottom base (2).

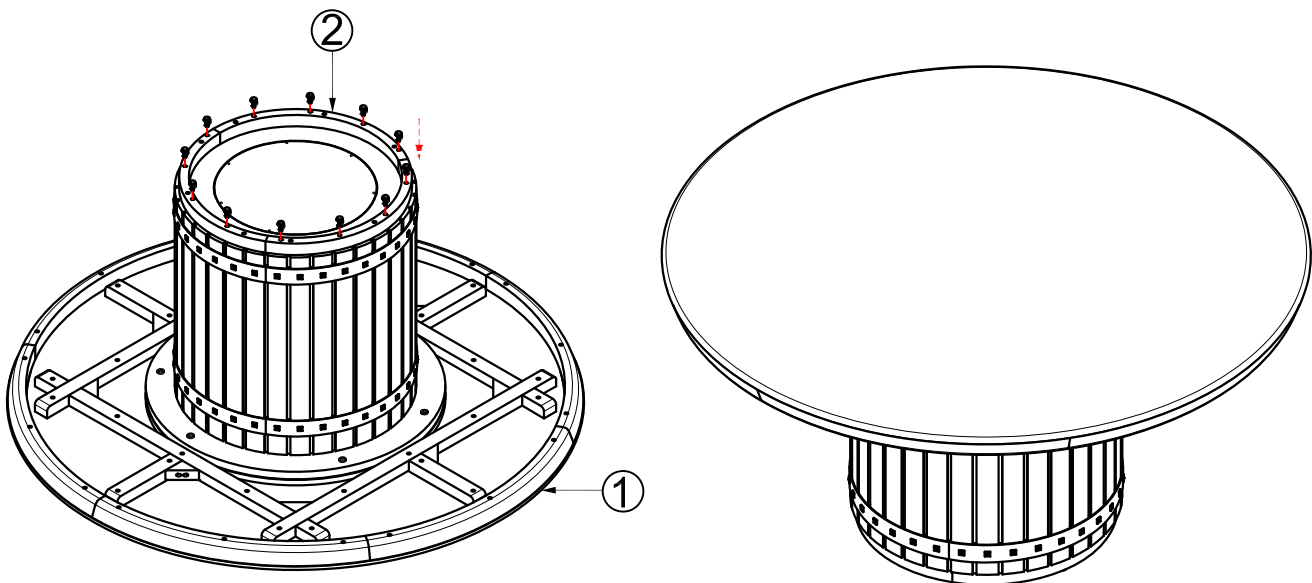
# ASSEMBLY INSTRUCTION

ITEM: 6952-75203T-80 Round Dining Table Top  
6952-75203B-85 Round Dining Table Barrel Base

Thank you for purchasing this quality product. Be sure to unpack carefully looking for small parts which may have come loose during shipment.  
Read all instruction and study the drawing carefully before starting the assembly process.



**STEP 3:**  
Attach the bottom base (2) to the table top (1).



**STEP 4:**  
Adjust leveler if needed to level  
table on uneven floor.

