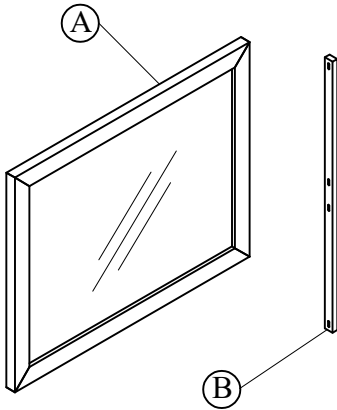


MELBOURNE DRESSER MIRROR

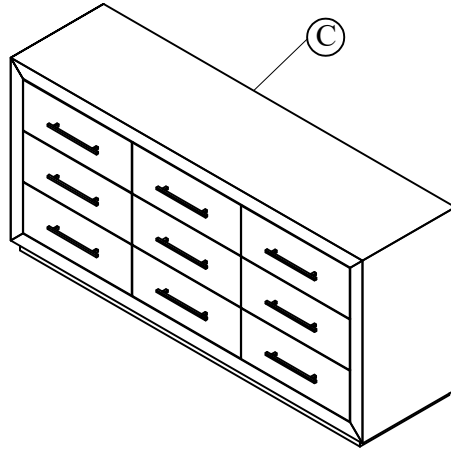
ASSEMBLY INSTRUCTIONS



BOX #1
 A. DRESSER MIRROR 1 PC
 B. MIRROR SUPPORT 2 PCS
 * MIRROR HARDWARE PACK

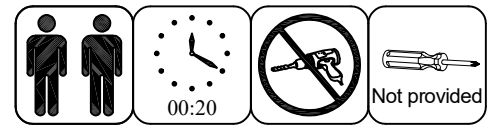


BOX #2
 C. DRESSER 1 PC
 (SOLD SEPARATELY)

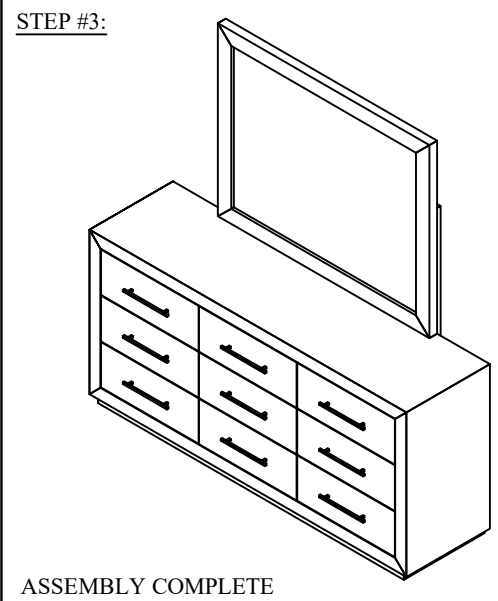
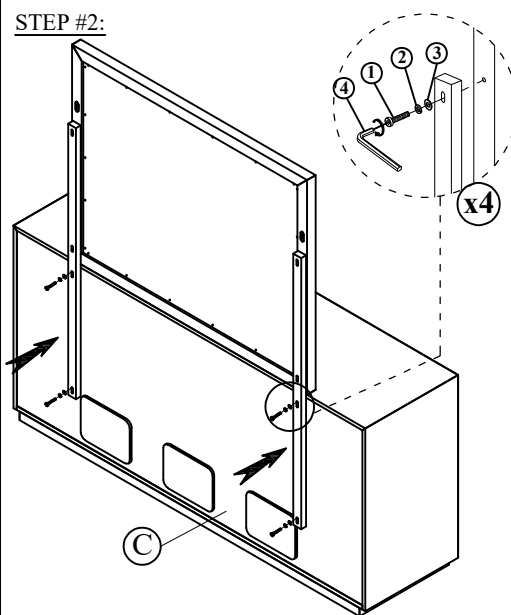
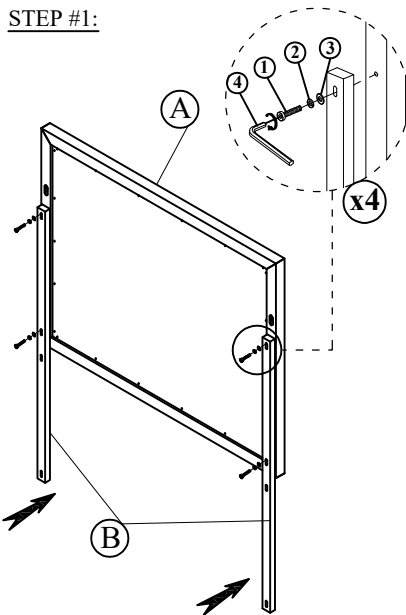


HARDWARE KIT PACKED IN BOX #1

NO.	DESCRIPTION	IMAGE	QUANTITY
1	ALLEN BOLT (6X50mm)		8 PCS
2	SPRING WASHER (6X11mm)		8 PCS
3	FLAT WASHER (6X19mm)		8 PCS
4	ALLEN KEY		1 PC



OPTION 1: DRESSER MOUNTING



OPTION 2: WALL MOUNTING

