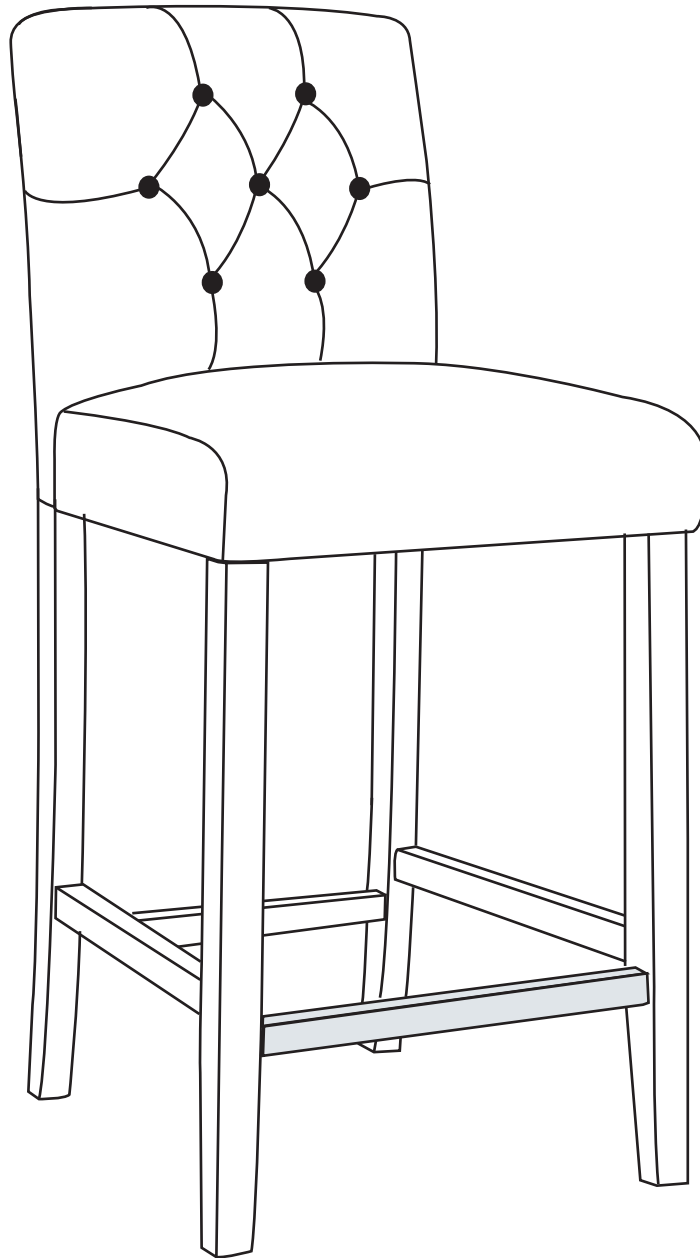


INSTRUCTION MANUAL



29" Linen Fabric Tufted Upholstered Counter Stool
SKU: ID405-29

! CARE & MAINTENANCE

- Be careful when assembly, avoid hurting the paint .
- Clean the dust with lukewarm water, mild detergent & soft cloth.
- Firmly secure all bolts before use, do not use any part of this item as a step ladder.
- Reconfirm that all bolts, screws, and nuts are secure every 90 days.
- Do not use or store this item in the proximity of open flame or flammable/combustible chemicals.

TOOLS REQUIRED



ALLEN WRENCH
(PROVIDED)



SCREW DRIVER
(NOT PROVIDED)



300 LBS
CAPACITY



2 PERSONS
ASSEMBLY



UP TO 20 MIN.
ASSEMBLY

HARDWARE

1

Flat washer



Φ8
9PCS

2

Lock washer



Φ8
9PCS

3

Allen Key



M8
1PC

4

Shorter
Screw



M8x50MM
5PCS

5

Longer
Screws



M8x65MM
4PCS

6

Self-tapping
Screws

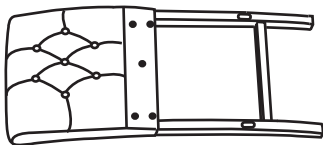


M4x45MM
6PCS

PARTS

A

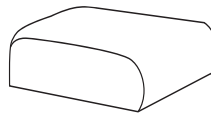
Back



1PC

B

Seat



1PC

C

Front leg - Left

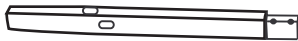


With Adjustable
Feet Leveler

1PC

D

Front leg - Right

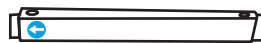


With Adjustable
Feet Leveler

1PC

E

Side Footrest

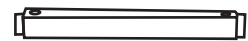


this end front leg joint

2PCS

F

Front Footrest



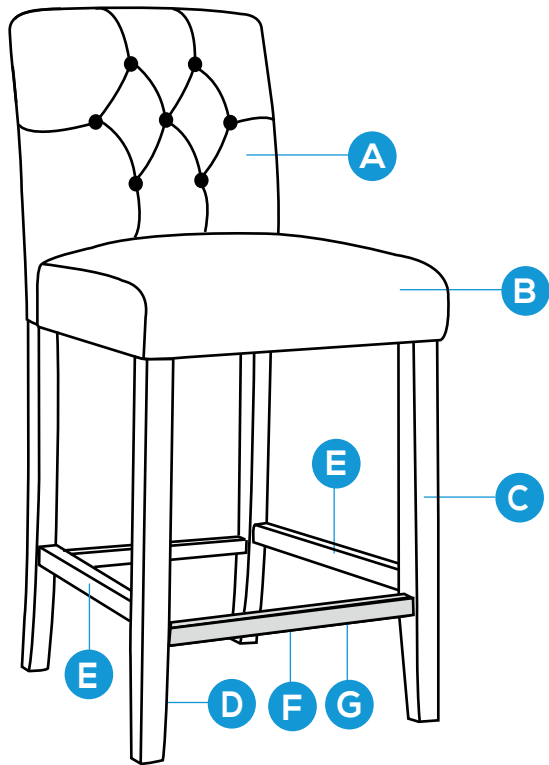
1PC

G

Front Metal Footrest

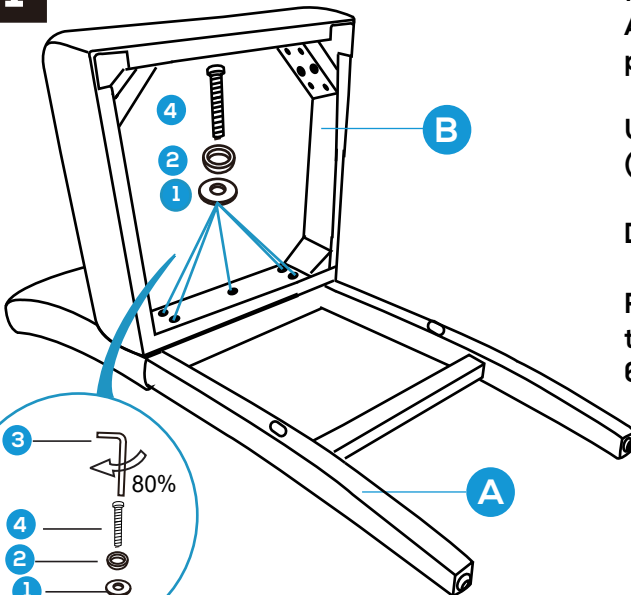


1PC



PRODUCT ASSEMBLY

1



Put chair back on a clean flat surface.
Align holes of back and seat pad as shown in the diagram.

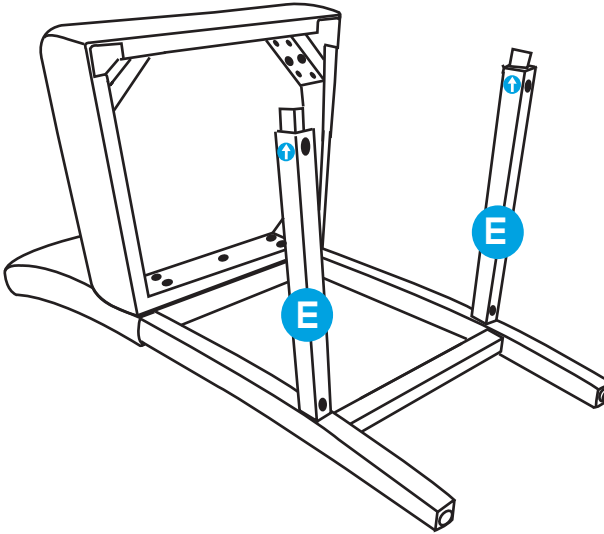
Using SHORTER SCREW (4) with Washer (#2, 1).

DO NOT FULLY TIGHTEN.

First HAND tighten then tightened using key up-to 60-80% only at this stage.

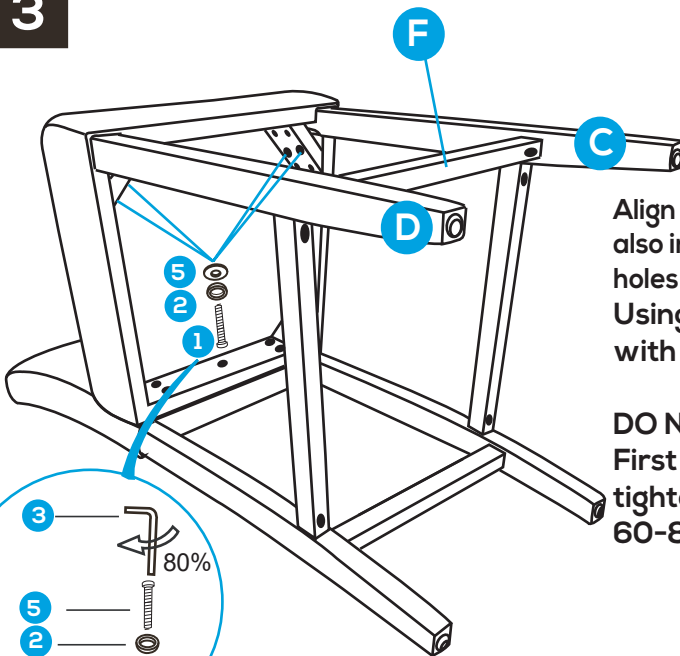
PRODUCT ASSEMBLY

2



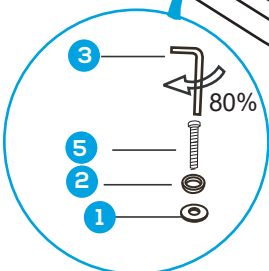
Insert Side footrest (E) into the holes as shown in the diagram. Please noted the end front leg joint.

3

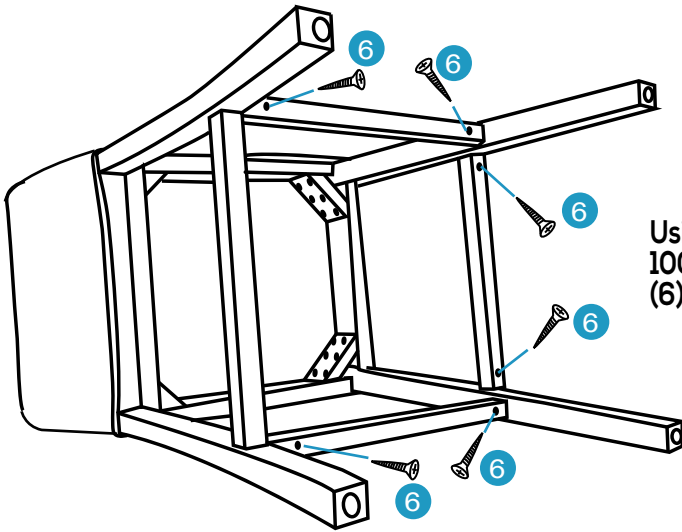


Align front legs in the seat pad , also insert front footrest into the holes as shown in the diagram. Using LONGER SCREW (5) with Washer (#2, 1).

DO NOT FULLY TIGHTEN. First HAND tighten then tightened using key up-to 60-80% only at this stage.

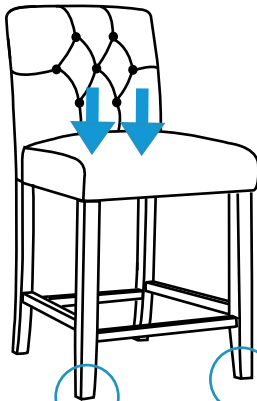
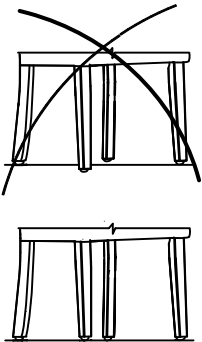


4



Using your own screwdriver
100% lock Self-tapping Screw
(6) as shown in the diagram

5



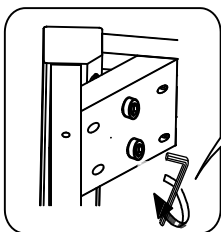
Put chair in the upright position and
SIT ON THE CHAIR to press downwards on
the seat pad.

Ensuring that all 4 feet touch the ground
and chair is leveled.

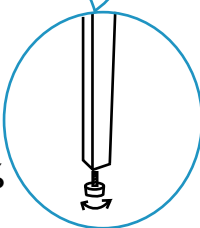
Proceed to tighten all screws making sure
the chair remains level when tightening.

Check that all screws are tight on a
regular basis to ensure chair remains level
and secure.

Also you can using adjustable feet to keep
four legs level .

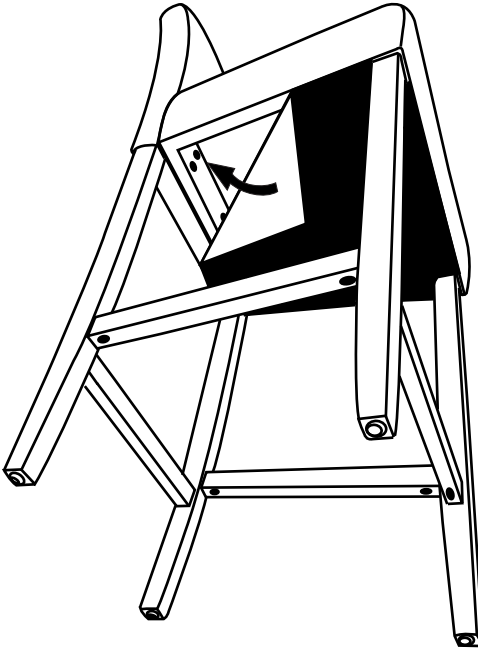


100%



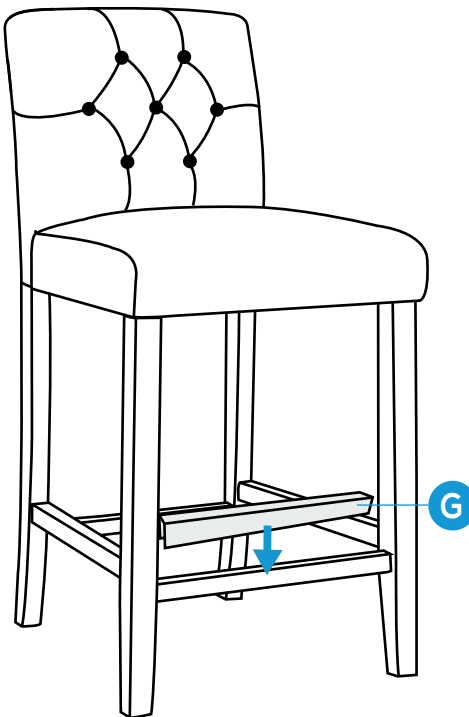
With Adjustable Feet Leveler

6



Then close the black fabric cover

7



It is an option to add Parts G Front Metal Footrest on Parts F Front Footrest, to prevent from paint scratching when stepping on.

GENTLY PUT IT ON AND DO NOT TAKE OFF FREQUENTLY IN CASE HURT THE PAINT.