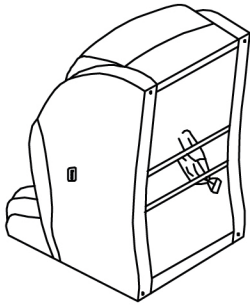
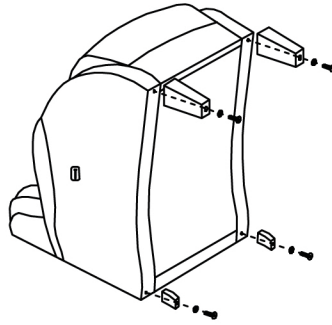


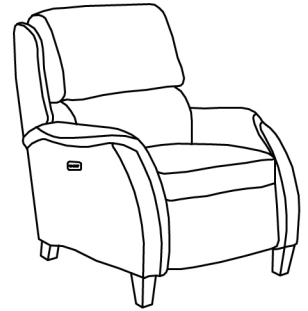
OPERATION INSTRUCTION



Step 1



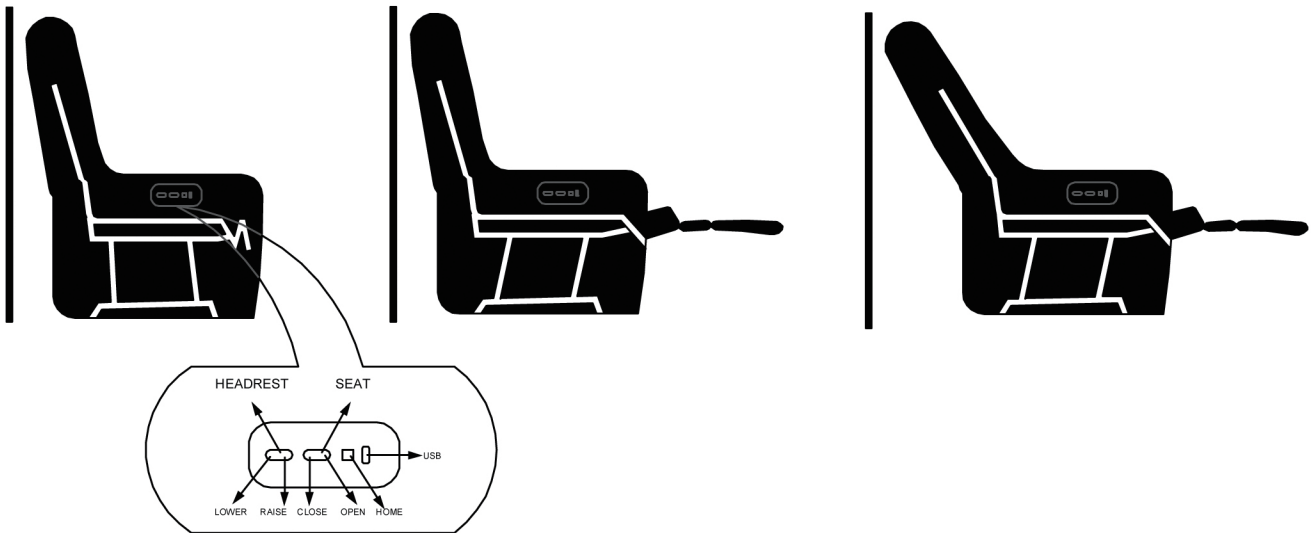
Step 2



Step 3

Assembly Instruction:

1. Take down the bag. Feet are packed inside.
2. Attached the feet on recliner.



Operation Instruction:

To recline: Sit on the furniture, and press the front of the button closest to the footrest to smoothly raise the footrest and recline to any position. To lower the footrest and return to an upright position, press the back side of the button closest to the footrest.

To adjust headrest: Press the front of the button closest to the backrest to smoothly raise and adjust the headrest to any position. To lower the headrest and return it to its original position, press the back side of the button closest to the backrest.

To close all: To simultaneously return the headrest and footrest to their original positions, press the Home button.

Caution:

Do not allow children to play on this mechanized furniture or operate the mechanism. Legrest folds down on closing so that a child could possibly be injured. Always leave in an upright and closed position. Keep hands and feet clear of mechanism. Only the occupant should operate it.