

SIMPLEHOME[™]
— LIFE BY DESIGN —

Wynden+Hall[™]
HOME DECOR
brooklyn + max[™]

ANDOVER / JEFFERSON / VERONA

DINING CHAIR

MODEL # AXCDCHR-004-SGL



PRE-ASSEMBLY INFORMATION

PARTS DESCRIPTION

A



CHAIR BACK
QTY 1

B



SEAT
QTY 1

C

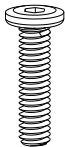
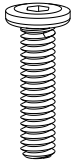
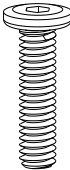


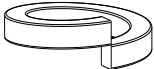


FRONT LEG
QTY 2

NEED HELP? For help with assembly or if you are missing a part,
Please call customer service at 1-866-518-0120 ext. 262 (9 am to 4 pm EST)

PRE-ASSEMBLY INFORMATION

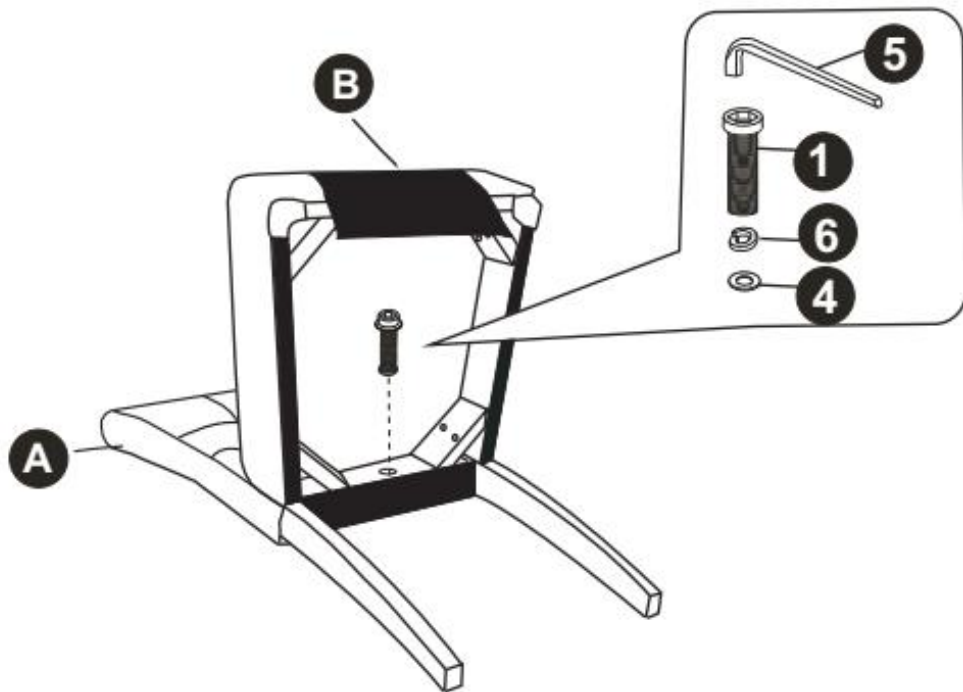
HARDWARE DESCRIPTION

<p>1</p>  <p>ALLEN KEY SCREW M8 x 50 MM QTY 1</p>	<p>2</p>  <p>ALLEN KEY SCREW M8 x 60 MM QTY 4</p>	<p>3</p>  <p>ALLEN KEY SCREW M8 x 90 MM QTY 4</p>
<p>4</p>  <p>FLAT WASHER Ø22 MM QTY 9</p>	<p>5</p>  <p>ALLEN KEY 5 MM QTY 1</p>	<p>6</p>  <p>LOCK WASHER Ø13 MM QTY 9</p>

NEED HELP? For help with assembly or if you are missing a part,
Please call customer service at 1-866-518-0120 ext. 262 (9 am to 4 pm EST)

ASSEMBLY

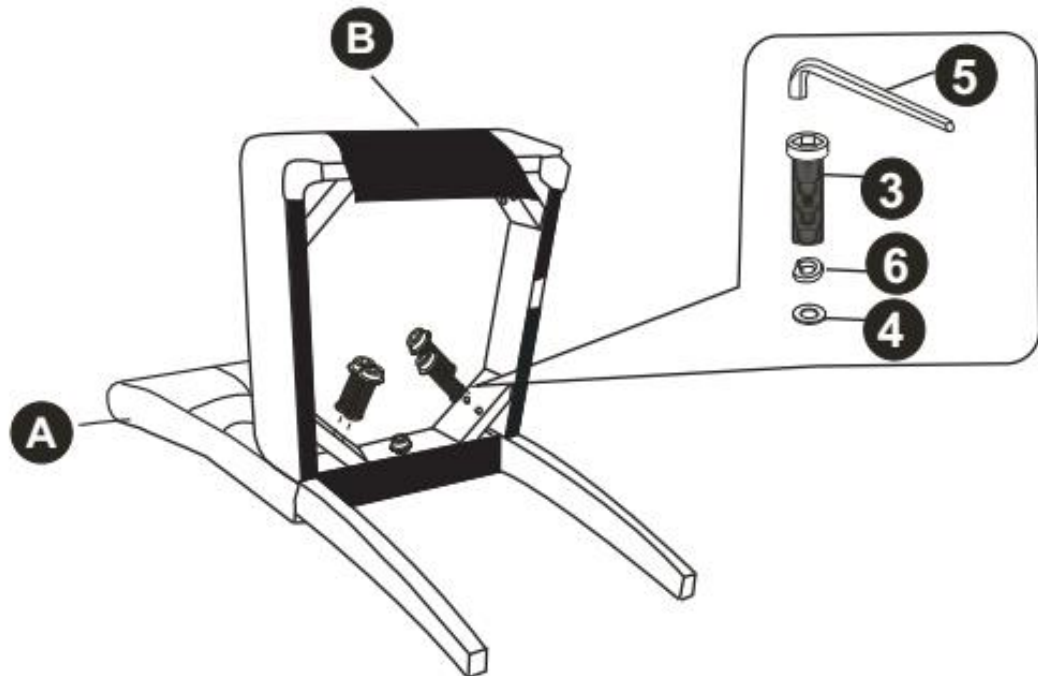
STEP 1



Align Seat (B) into pre-drilled holes on Chair Back (A).
Attach Seat (B) to Chair Back (A) using Allen Key Screw (1)
and one Washer each of (4) and (6).
Use Allen Key (5) to tighten. Do not over-tighten.

ASSEMBLY

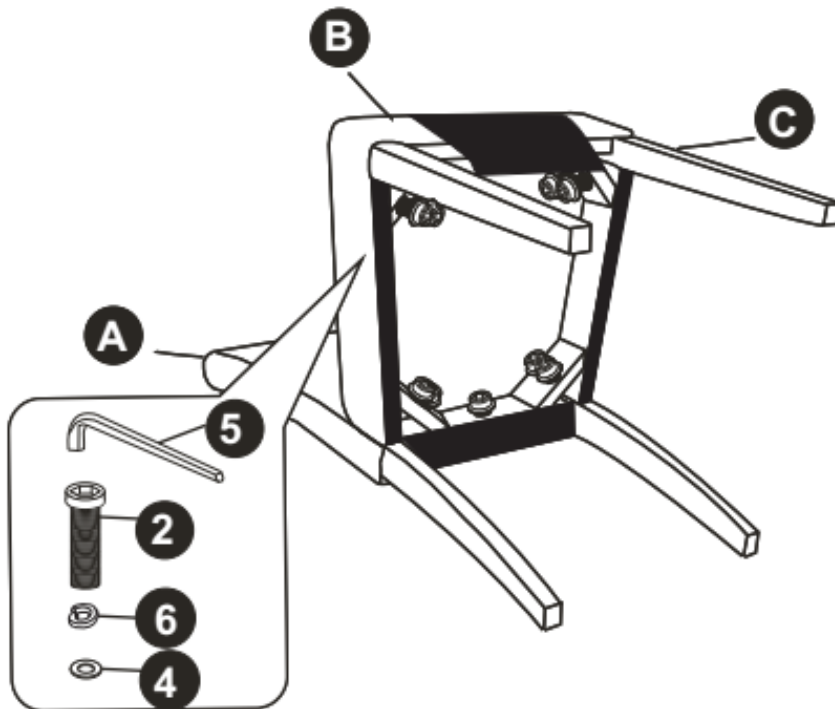
STEP 2



Secure Seat (B) to Chair Back (A) using Allen Keys Screws (3) and four Washers each of (4) and (6).
Use Allen Key (5) to tighten. Do not over-tighten.

ASSEMBLY

STEP 3



Attach Front Legs (C) to Seat (B) using Allen Keys Screws (2) and four Washers each of (4) and (6).
Use Allen Key (5) to tighten. Do not over-tighten.

ASSEMBLY

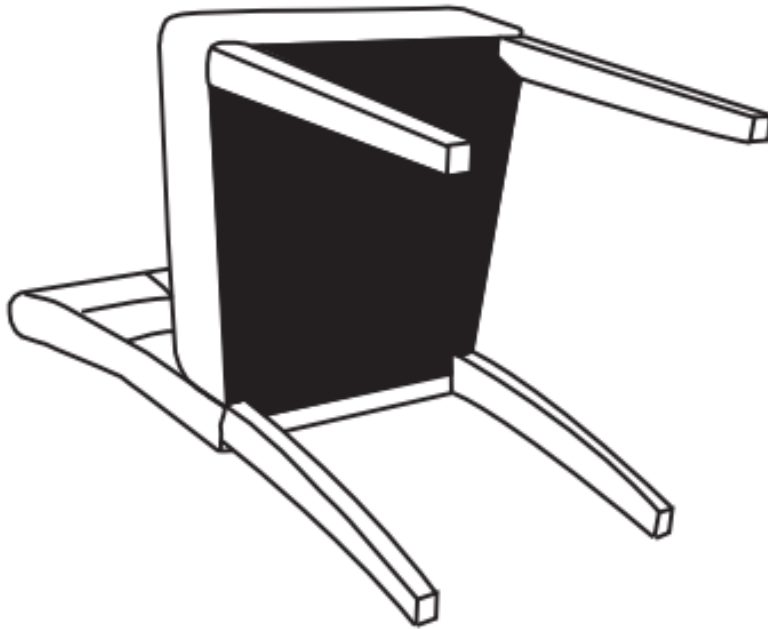
STEP 4



Place Chair on a flat level surface to ensure it is level.
If it is uneven, adjust either the Seat (B) or Front Legs (C).
Ensure the Chair is level and then fully tighten all bolts.

ASSEMBLY

STEP 5



Use the zipper to close the fabric on the bottom of the Chair.