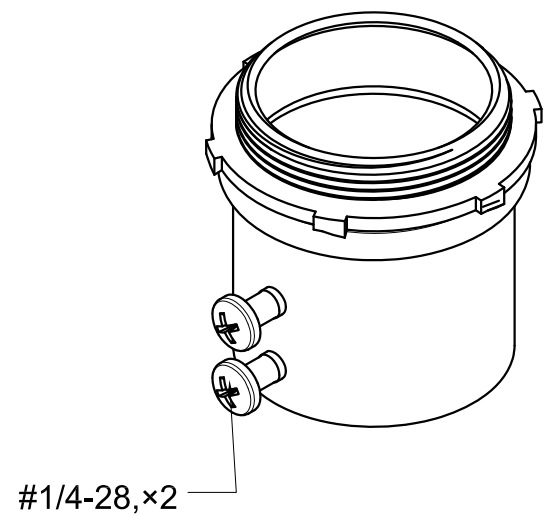
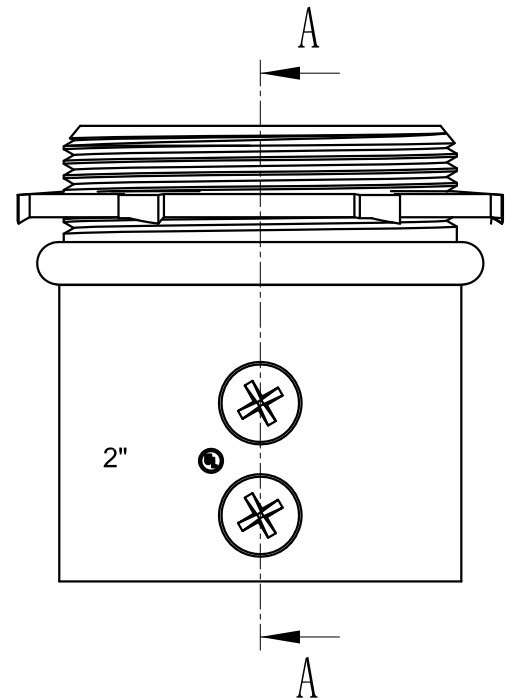
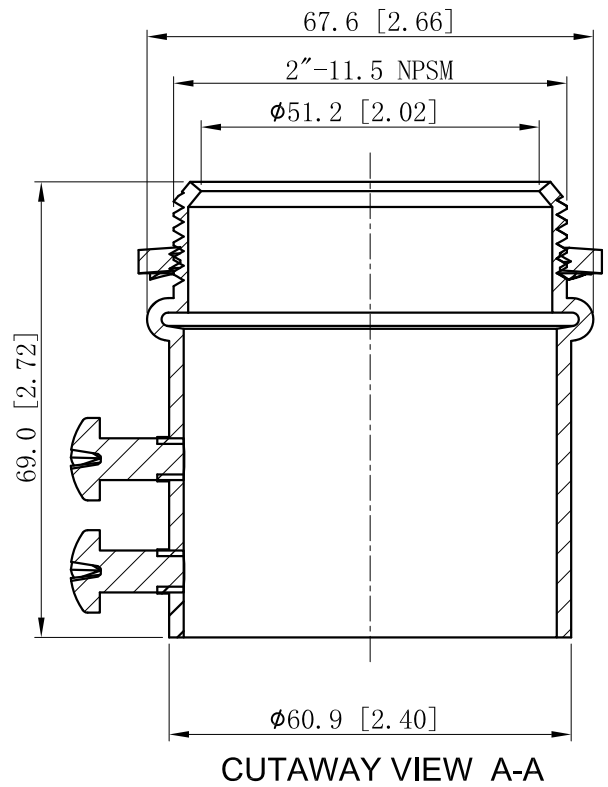


|  |        |
|--|--------|
| SIDES                                    | BOTTOM |
|  |        |
|  |        |
|  |        |
| 2 pcs #1/4-28×3/8 Screws Installed       |        |
| Material:Steel-Welding tube, zinc plated |        |



|                       |
|-----------------------|
| DESCRIPTION           |
|                       |
| TRADE REFERENCE TERMS |
|                       |

This data sheet is for reference only .GARVIN INDUSTRIES reserves the right to make changes to the design without prior notice.

|                  |  |            |     |
|------------------|--|------------|-----|
| STANDARD PACKING | <h1 style="text-align: center;">GARVIN INDUSTRIES</h1> <h2 style="text-align: center;">STEEL EMT SET SCREW CONNECTORS</h2> |            |     |
| 10 PCS           |  |            |     |
|                  | TITLE  | DWG NO.    | REV |
|                  | SIZE   | SSCN-200   |     |
|                  | A4   | DATA SHEET |     |