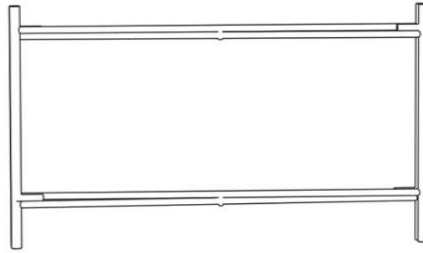
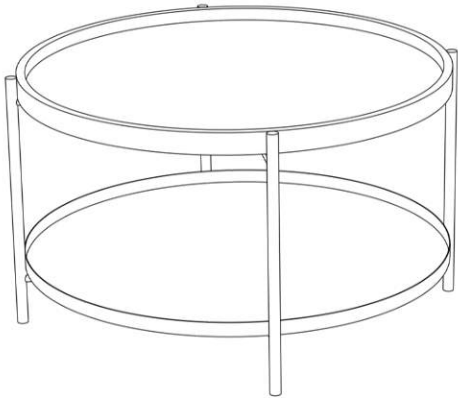
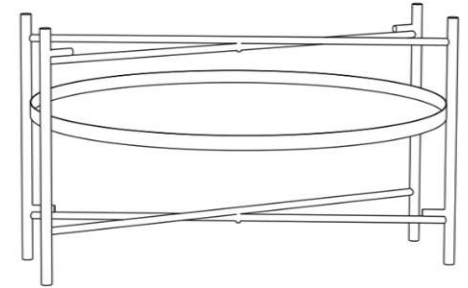


ASSEMBLY INSTRUCTION

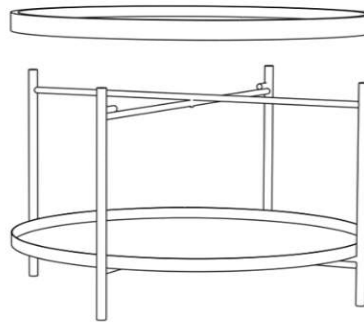
Item No.- HSD-10732



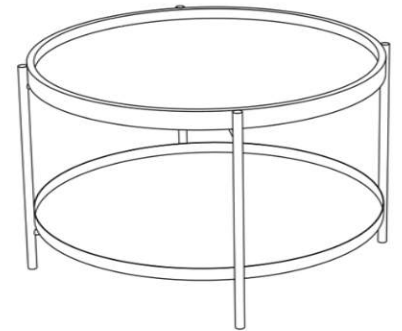
Step-1 Place Metal Pipe frame on floor.



Step-2 Insert Metal tray and then open Metal pipe frame .



Step-3 Place Wood tray on Top Frame.



Ready to use.