



# ASSEMBLY INSTRUCTION


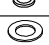
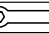

**HOOKER**  
— FURNITURE —

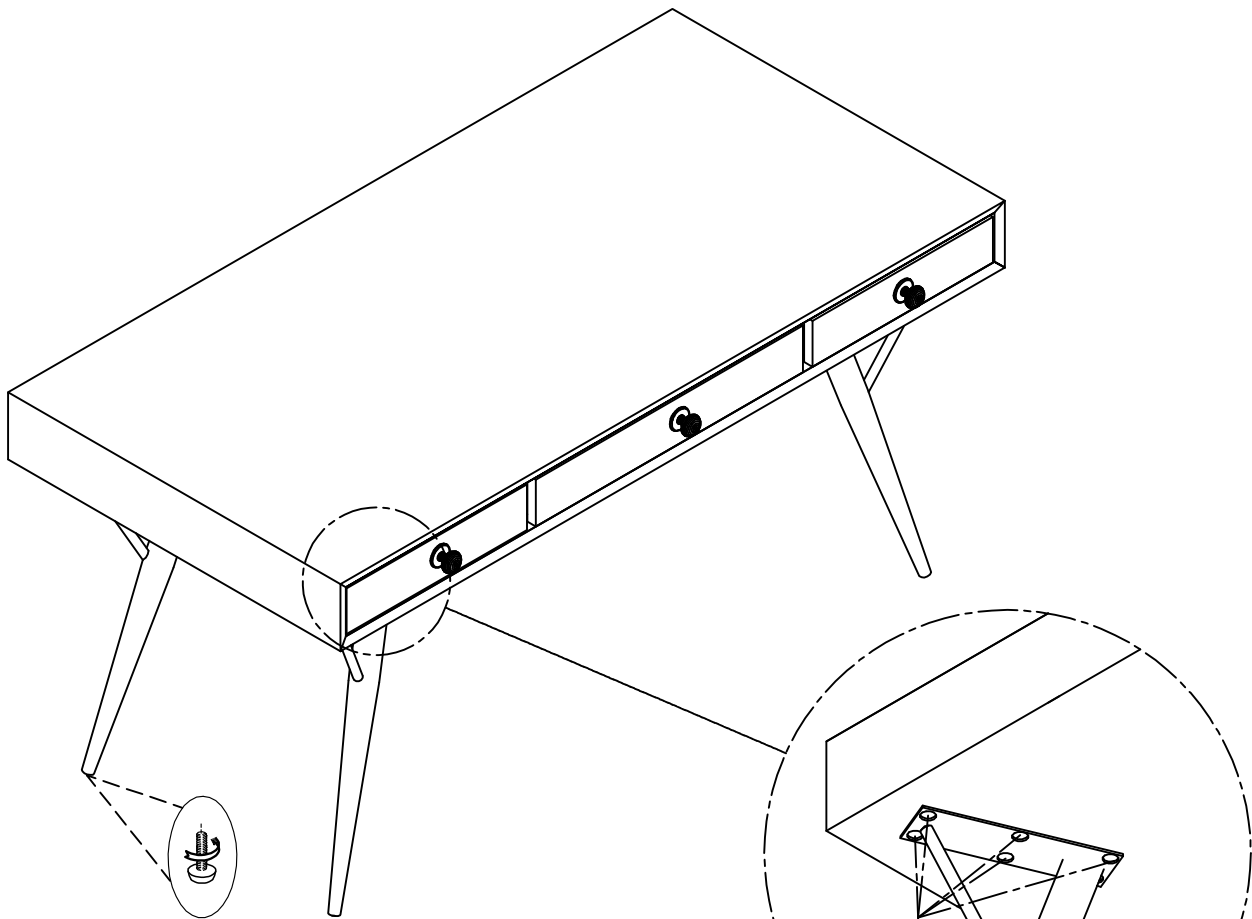
Item: 5622-10460-WH  
WRITING DESK 60 IN

Thank you for purchasing this quality product. Be sure to unpack carefully looking for small parts which may have come loose during shipment.

Read all instruction and study the drawing carefully before starting the assembly process:

## HARDWARE PACK

NO	DRAWING	DESCRIPTION	SIZE	Q'TY
A		HEXAGONAL BOLT	Φ 1/4"× 1"	24pcs
B		LOCK WASHER	Φ 1/4"× 12× 3	24pcs
C		FLAT WASHER	Φ 1/4"× 19× 2	24pcs
D		OPEN WRENCH	10mm	1pc



Adjustable leveler

