

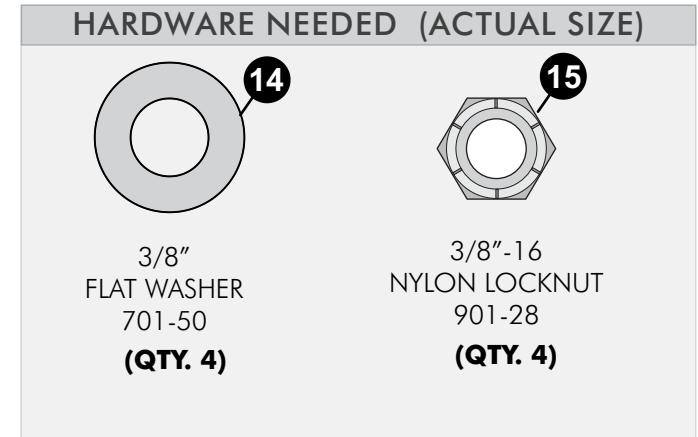
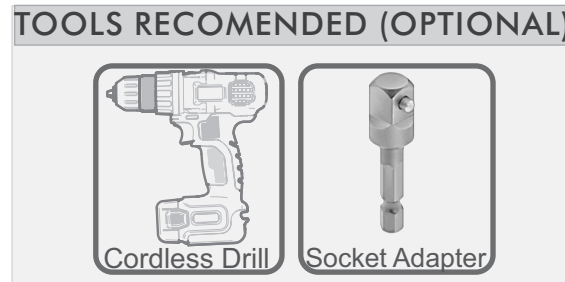
Goalrilla™



LED-HOOPLIGHT
MOUNTING
LOCATIONS FOR
 **Goalsetter** UNITS
Best in Basketball™

FOR MODEL NO.
B2415

Before starting have the following hardware and tools ready.



NOTE: Additionally **two** U-bolts **#13** are needed, see **Page 5** in the LED hoopligh Owner's manual to determine which size U-bolt you need for your pole.

NOTE: Make sure your basketball pole is level before mounting the U-bolts #13 and Plate #1.

NOTE: Mounting Plate #1 must be positioned as shown in **Detail A**.

1. From the front of the pole attach the U-Bolts #13 onto the pole and through the mounting plate #1. Fasten with Washer #14 and Lock Nuts #15 until the Plate does not slide on the pole but leave it loose enough to adjust it. Top of plate must be located 4-6" from the top of the pole. See **Figure 1, Detail A & Detail B**.

2. Continue on **page 9** of the LED hooplight owner's manual.

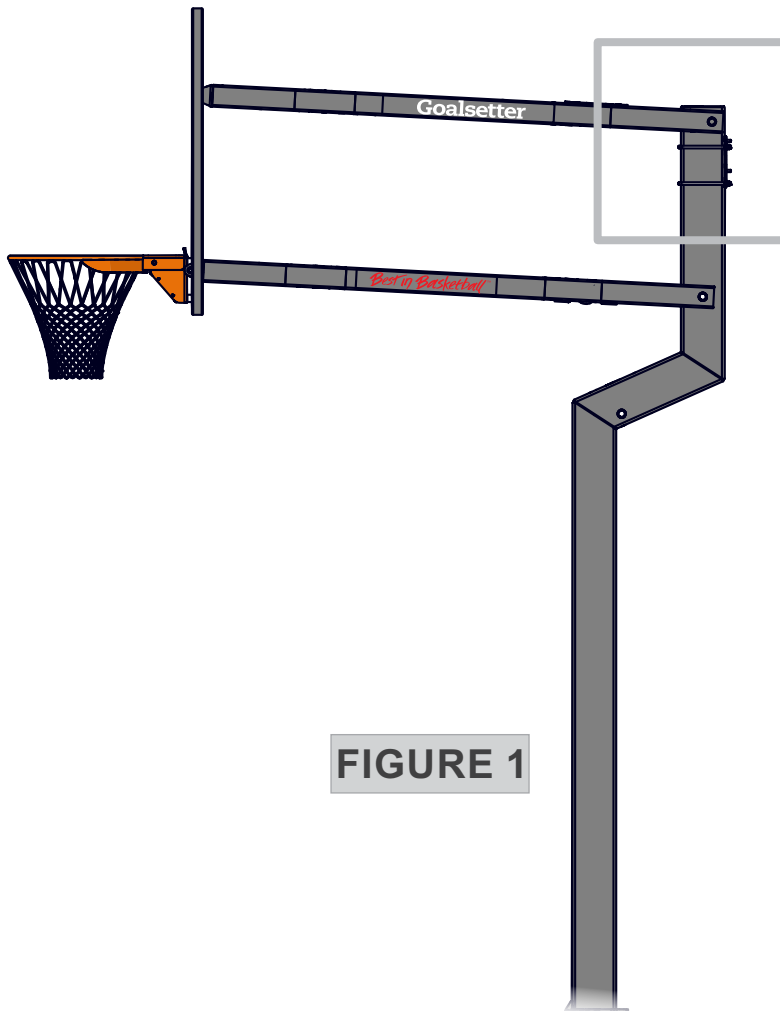
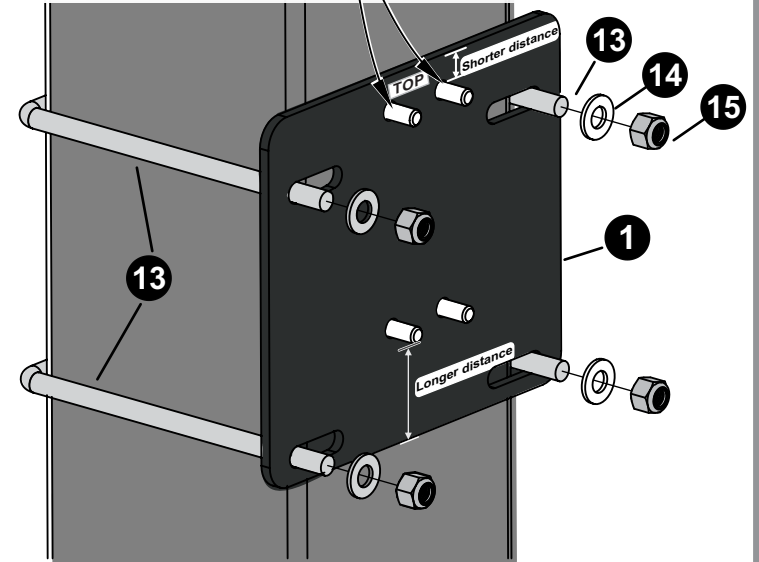


FIGURE 1

NOTE: Position the plate as shown. The studs with the **shortest** distance to the end of the plate go at the top.

DETAIL A



DETAIL B

