



Sheboygan, WI

920-451-4060





info@leickhome.com

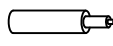




www.leickhome.com

Thank you for purchasing Leick Furniture products.  
Contact customer service for comments or concerns.

# Assembly Instructions, #10138 Adjustable Height Swivel Stool

## Parts List

Item	Parts	Description	Quantity
A		Seat	1
B		Seat Column	1
C		Cap	1
D		Base	1

Item	Parts	Description	Quantity
E		Gas Lift	1
F		Allen Bolts	4
G		Flat Washers	4
H		Lock Washers	4
I		Allen Wrench	1

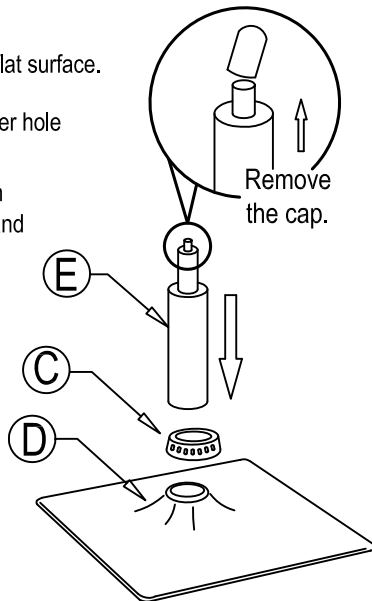
### Step 1

1.1 Lay the Base (D) down on a flat surface.

1.2 Put the Cap (C) into the center hole of the Base.

1.3 Push the Gas Lift (E) through the center hole of the Base and Cap.

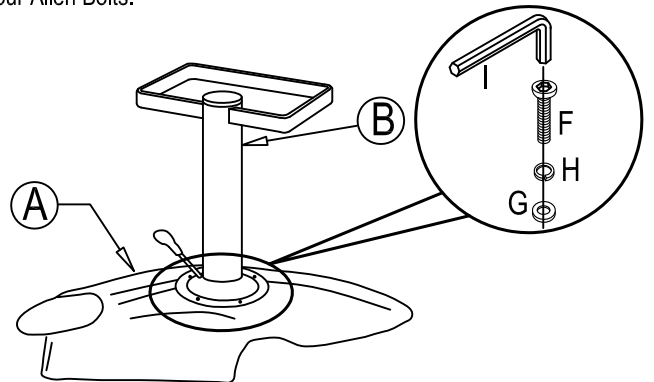
1.4 Remove the cap from the upper end of the Gas Lift (E)



### Step 2

2.1 Lay the Seat (A) upside-down on a flat and clean surface.

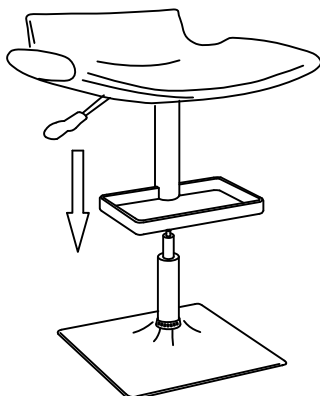
2.2 Fasten the flange of Seat Column (B) into the bottom of the Seat with four Allen Bolts.



### Step 3

3.1 Insert the upper end of the Gas Lift into the bottom hole of Seat Column.

3.2 Apply moderate force to push the seat down.



### The Completely Assembled Piece

