

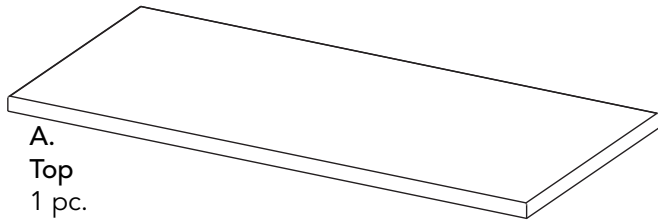
IMPORTANT

Carefully remove all the parts from the carton and place them individually on a soft cloth to prevent scratches or other damage.

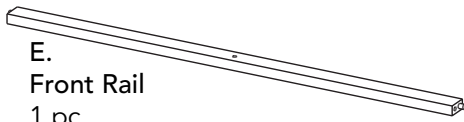
Carefully and strictly follow these assembly instructions to ensure a completed product as designed.

Do not use power tools above 8 volts to assemble.

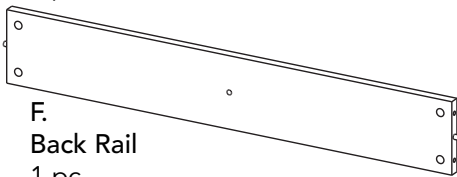
Part List



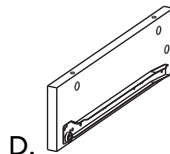
A.
Top
1 pc.



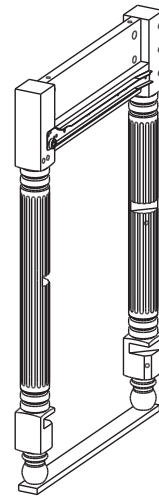
E.
Front Rail
1 pc.



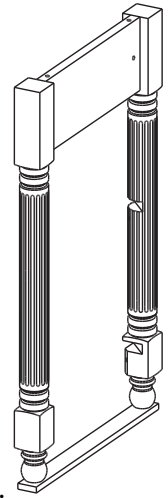
F.
Back Rail
1 pc.



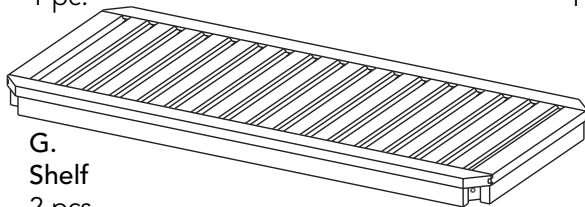
D.
Divider
1 pc.



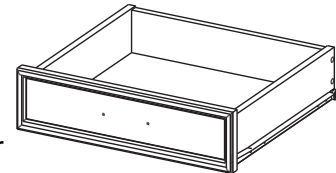
B.
Side Frame
1 pc.



C.
Side Frame
1 pc.



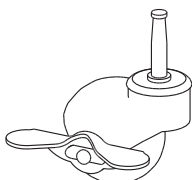
G.
Shelf
2 pcs.



H.
Drawer
2 pcs.

Refer to later page(s) of these instructions for drawer assembly.

Hardware List



Caster
2 Locking
2 Non-Locking
4 pcs.



Hex Wrench
1 pc.



Small Hex Wrench
1 pc.



M6x50
Head Cap Bolt (long)
8 pcs. (+1 extra)



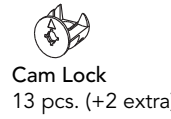
M4x24
Cam Lock Screw
13 pcs. (+1 extra)



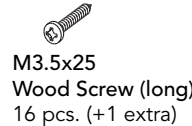
M6x25
Head Cap Bolt (short)
5 pcs. (+1 extra)



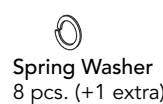
Flat Washer
8 pcs. (+1 extra)



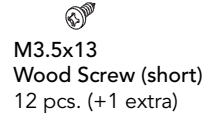
Cam Lock
13 pcs. (+2 extra)



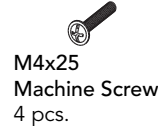
M3.5x25
Wood Screw (long)
16 pcs. (+1 extra)



Spring Washer
8 pcs. (+1 extra)



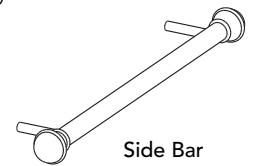
M3.5x13
Wood Screw (short)
12 pcs. (+1 extra)



M4x25
Machine Screw
4 pcs.



Handle
2 pcs.



Side Bar
2 pcs.

Tool(s) required for assembly: Phillips screwdriver

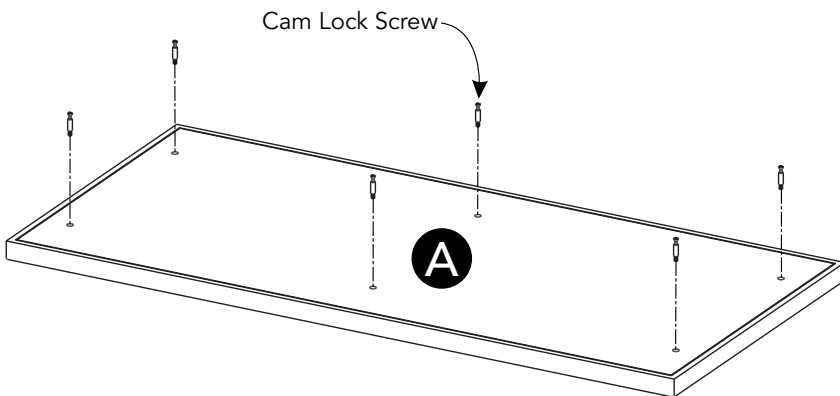
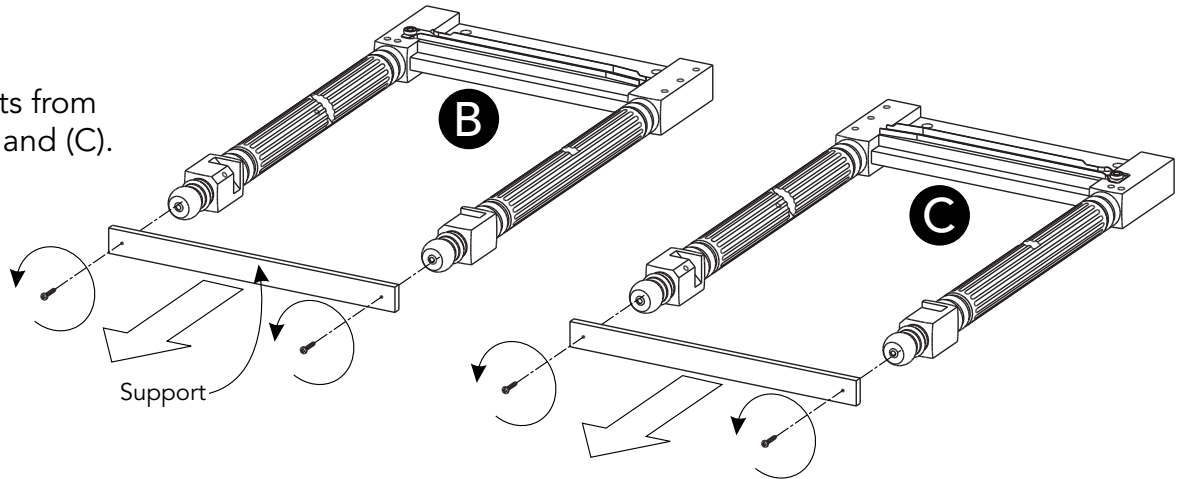
Assembly Instructions 2/6

IMPORTANT

- Use a soft cloth between these parts and the floor.
- Do not use power tools above 8 volts to assemble.
- Do not tighten all the bolts until each part is properly assembled.
- Keep Hex Wrench as the bolts may need to be tightened in the future.

STEP 1

Remove supports from Side Frames (B) and (C).



STEP 2

Insert Cam Lock Screws into pre-drilled holes in Top (A), Side Frames (B), (C) and Back Rail (F), then tighten. (See Figure 1)

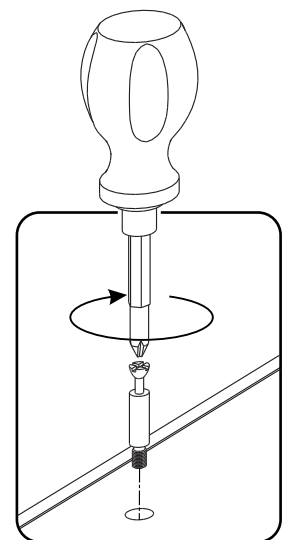
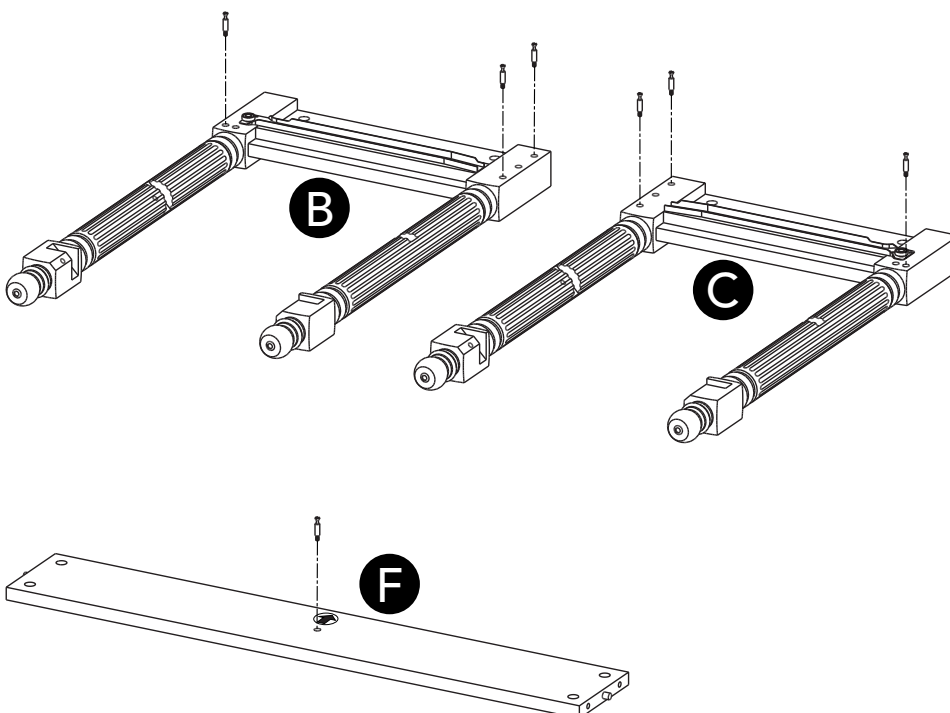


Figure 1

Assembly Instructions 3/6

STEP 3

Assemble Front Rail (E), Divider (D) and Back Rail (F) with Cam Locks and Head Cap Bolt (short).
(See Figure 2 and 3)

Note: Arrow label indicates top of Back Rail (F).

Attach Side Frame (B) to unit with Cam Locks.

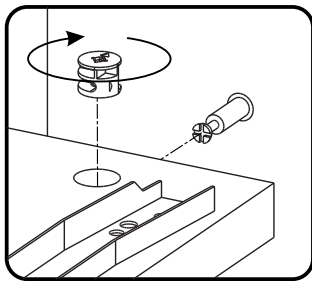


Figure 2

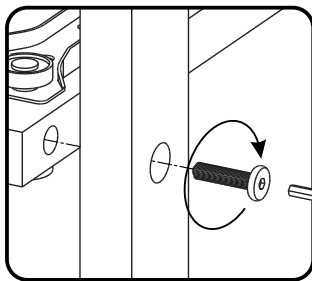
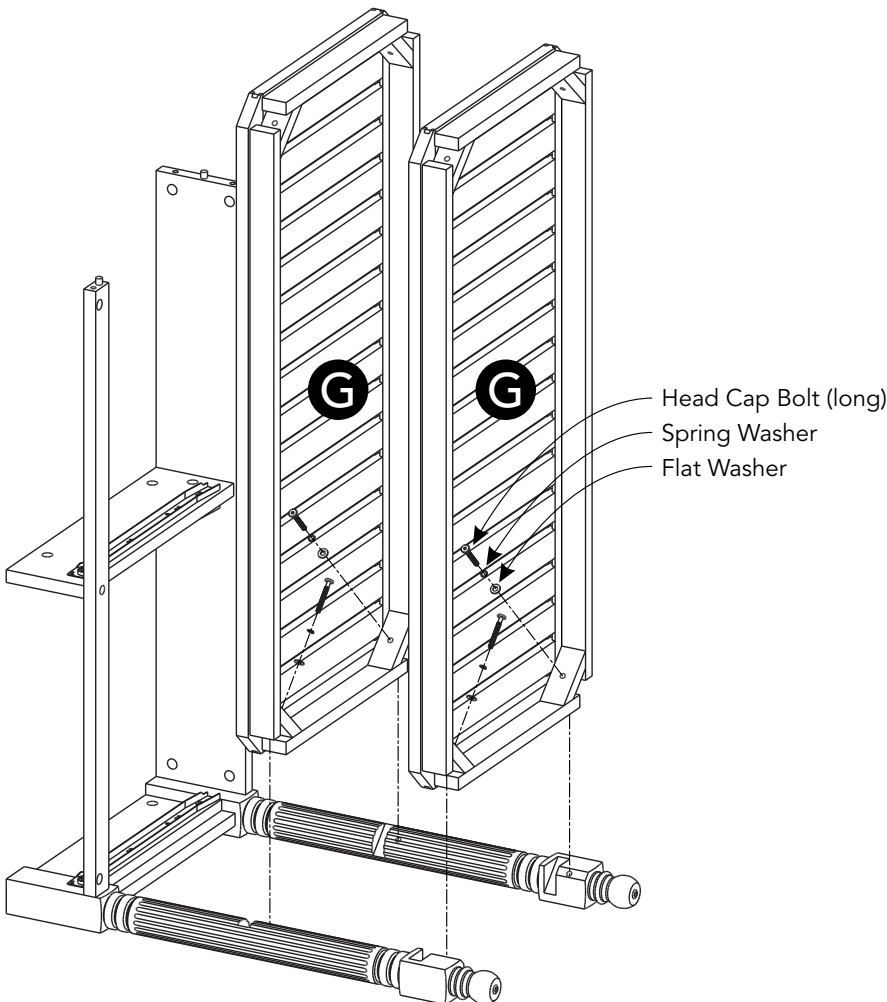
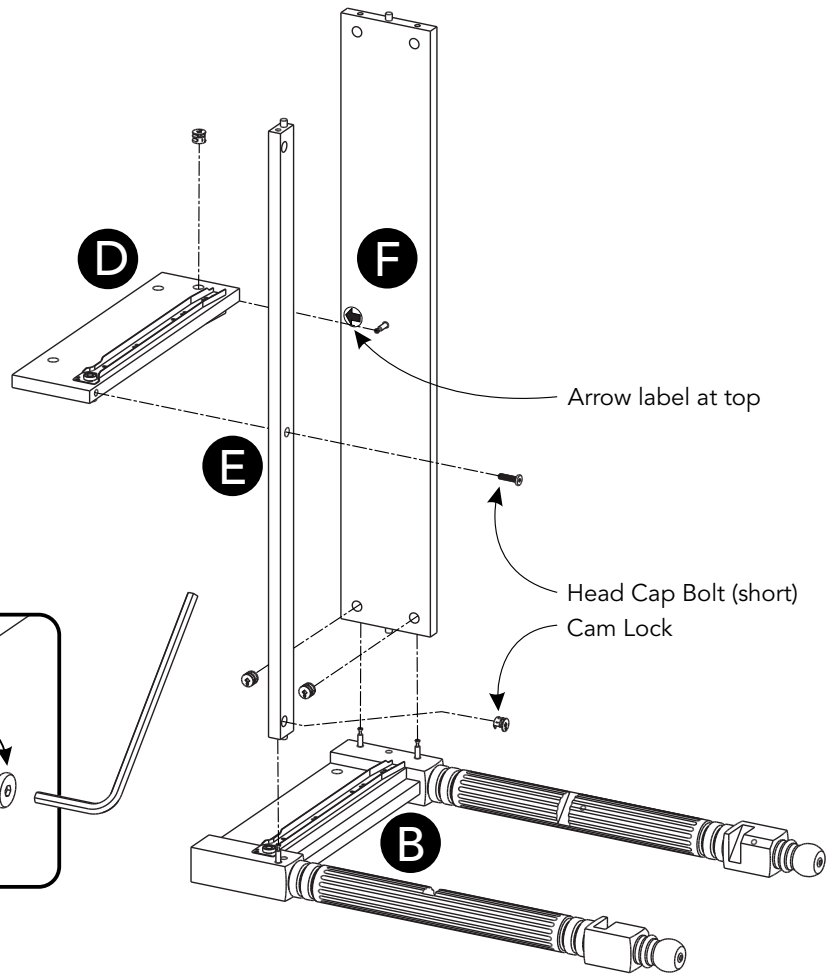


Figure 3



STEP 4

Attach upper Shelf (G) to unit with Flat Washers, Spring Washers and Head Cap Bolts (long).
(See Figure 4)

Attach lower Shelf (G) to unit with Flat Washers, Spring Washers and Head Cap Bolts (long).

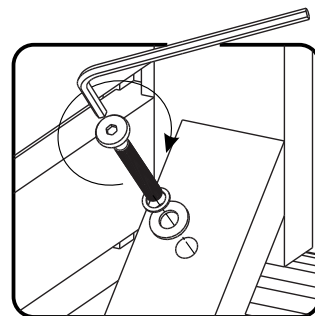
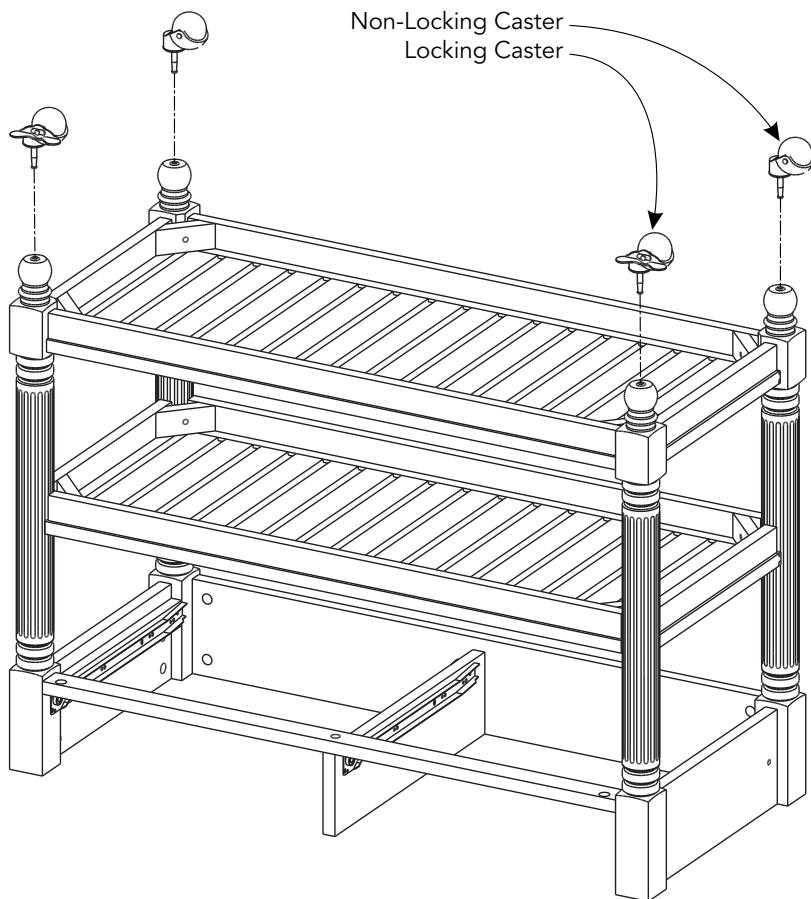
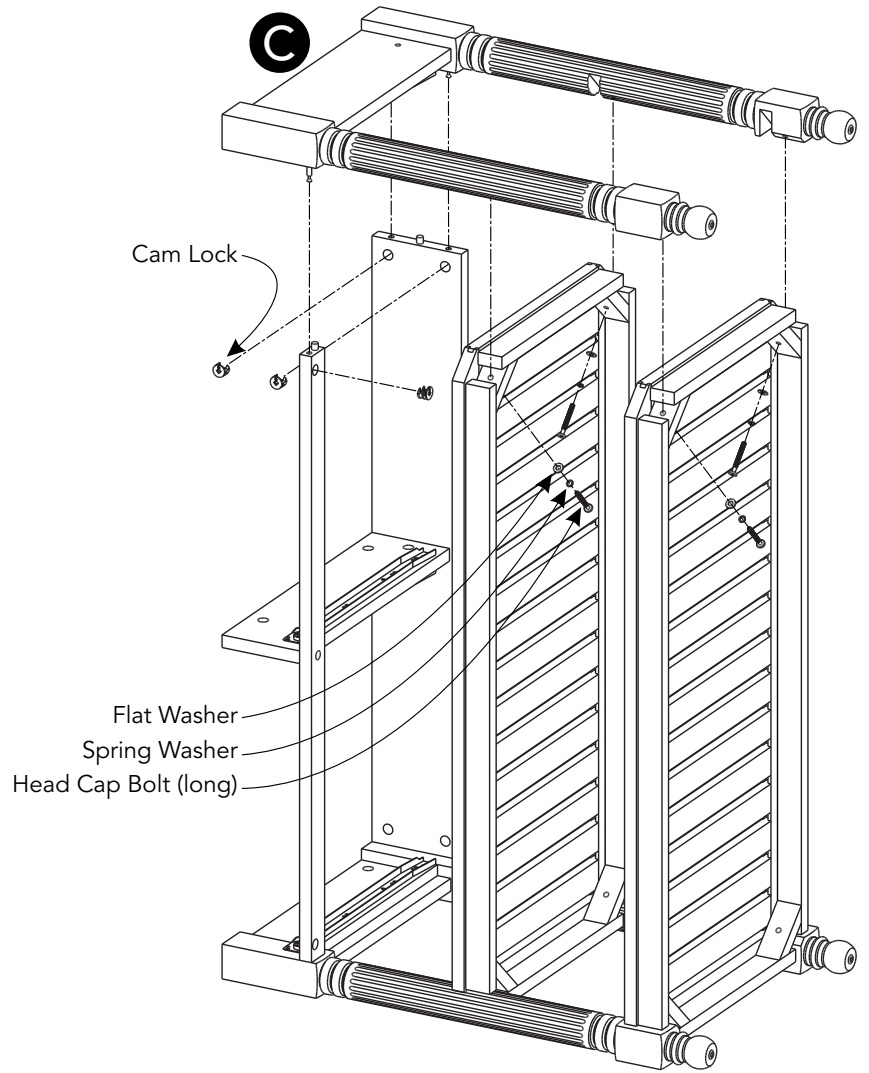


Figure 4

STEP 5

Attach Side Frame (C) to unit with Cam Locks, Flat Washers, Spring Washers and Head Cap Bolts (long).



STEP 6

Attach Casters to unit with Locking Casters at front. (See Figure 5)

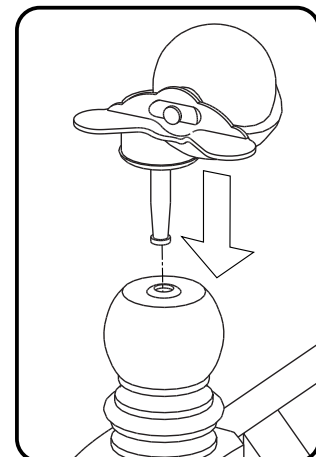
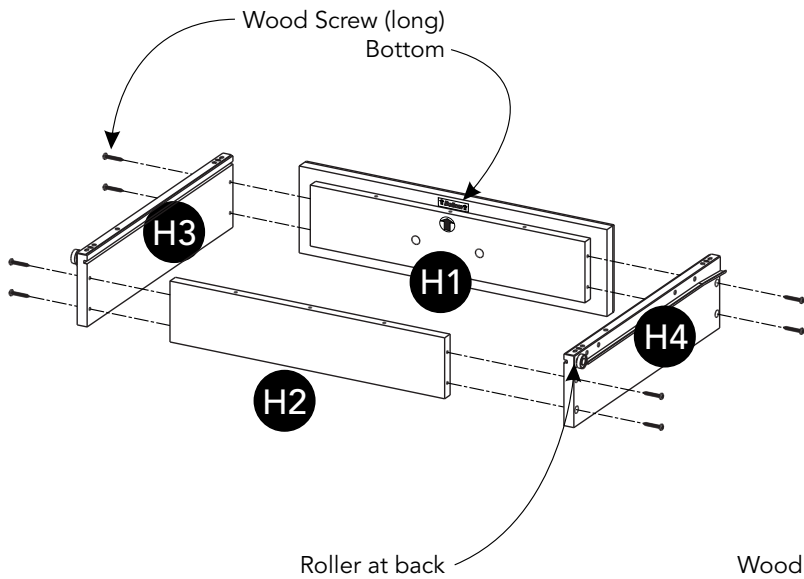


Figure 5

Assembly Instructions 5/6

Drawer (H)



STEP 7

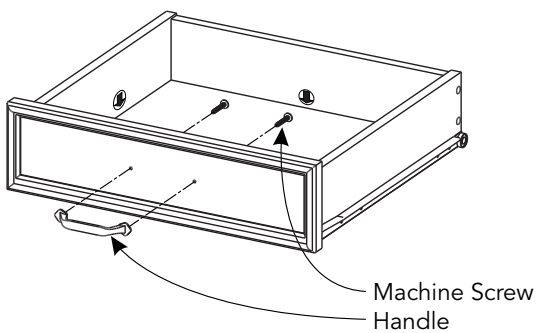
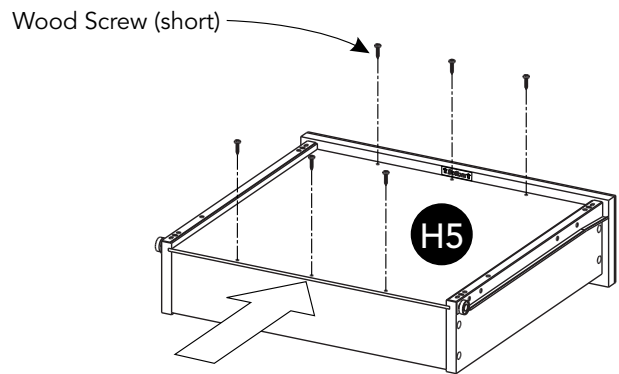
Attach Drawer Front (H1) and Drawer Back (H2) to Drawer Side (H3) with Wood Screws (long).

Attach Drawer Side (H4) to unit with Wood Screws (long).

STEP 8

Slide Drawer Bottom (H5) into groove.

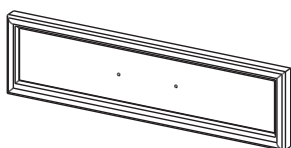
Attach Drawer Bottom (H5) to unit with Wood Screws (short).



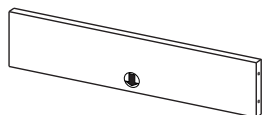
STEP 9

Attach Handle with Machine Screws.

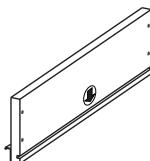
Part List



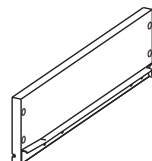
H1.
Drawer Front
2 pcs.



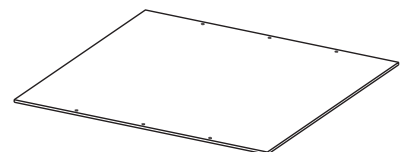
H2.
Drawer Back
2 pcs.



H3.
Drawer Side
2 pcs.



H4.
Drawer Side
2 pcs.



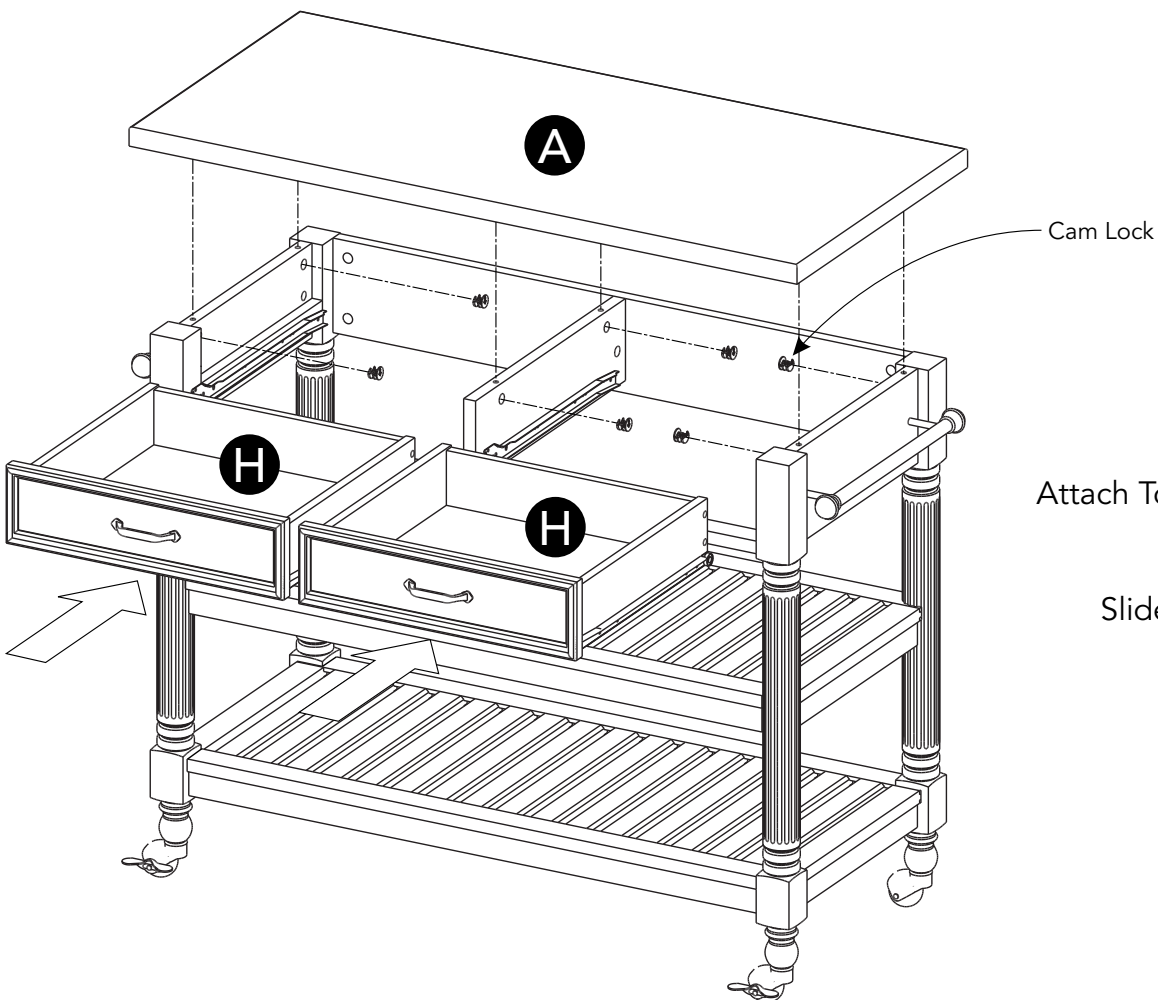
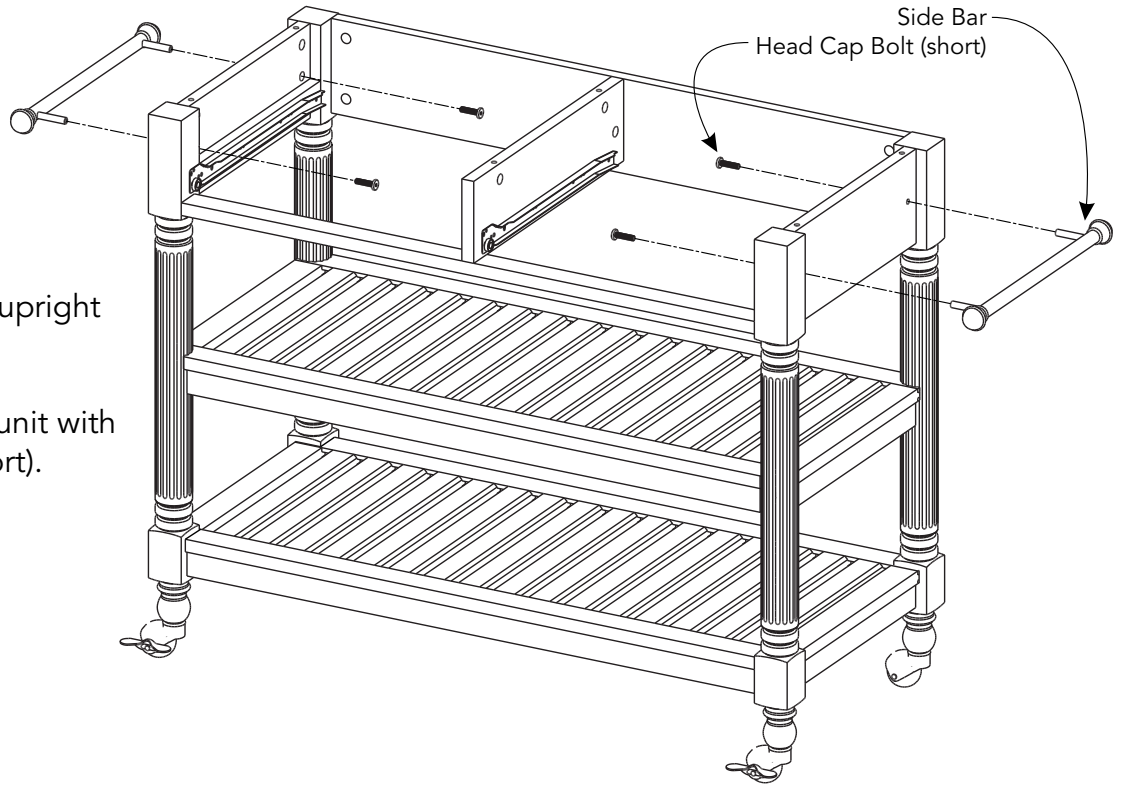
H5.
Drawer Bottom
2 pcs.

Assembly Instructions 6/6

STEP 10

Turn unit over to its upright position.

Attach Side Bars to unit with Head Cap Bolts (short).



STEP 11

Attach Top (A) to unit with Cam Locks.

Slide Drawers (H) into position.

CARE INSTRUCTIONS

NEVER

allow liquids to remain on furniture.
Absorption causes parts to warp
and split and finishes to delaminate.

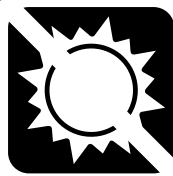
NEVER

use glass cleaners on
finished furniture. Ammonia
chemically attacks the finish.



Do not use power tools
above 8 volts to assemble.

**PREVENT
CRACKING**



Do not place
in direct sunlight.

**PREVENT
FADING**



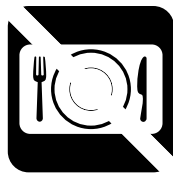
Do not write
directly on surface.

**PREVENT
MARKING**



Do not place hot
objects on surface.

**PREVENT
FINISH DAMAGE**



Do not use rubber
based placemats.

**PREVENT
DISCOLORING**



Do not use commercial
waxes and polishes.

**PREVENT
YELLOWING**

CLEAN

with a soft cloth moistened
in lukewarm soap and water.
Buff with a dry clean cloth.



homestyles will provide replacements free of charge for missing or damaged parts within 30 days of purchase. Digital images of the defective parts may be required. If the product was not purchased from an authorized retailer, **homestyles** is under no obligation to provide replacement parts. Parts are not available for fully assembled items nor are parts available for sale. Replacements for missing or damaged parts may be requested via contact info below.

homestyles Customer Service: www.homestylesfurniture.com,
servicedesk@homestylesfurniture.com, 888-680-7460