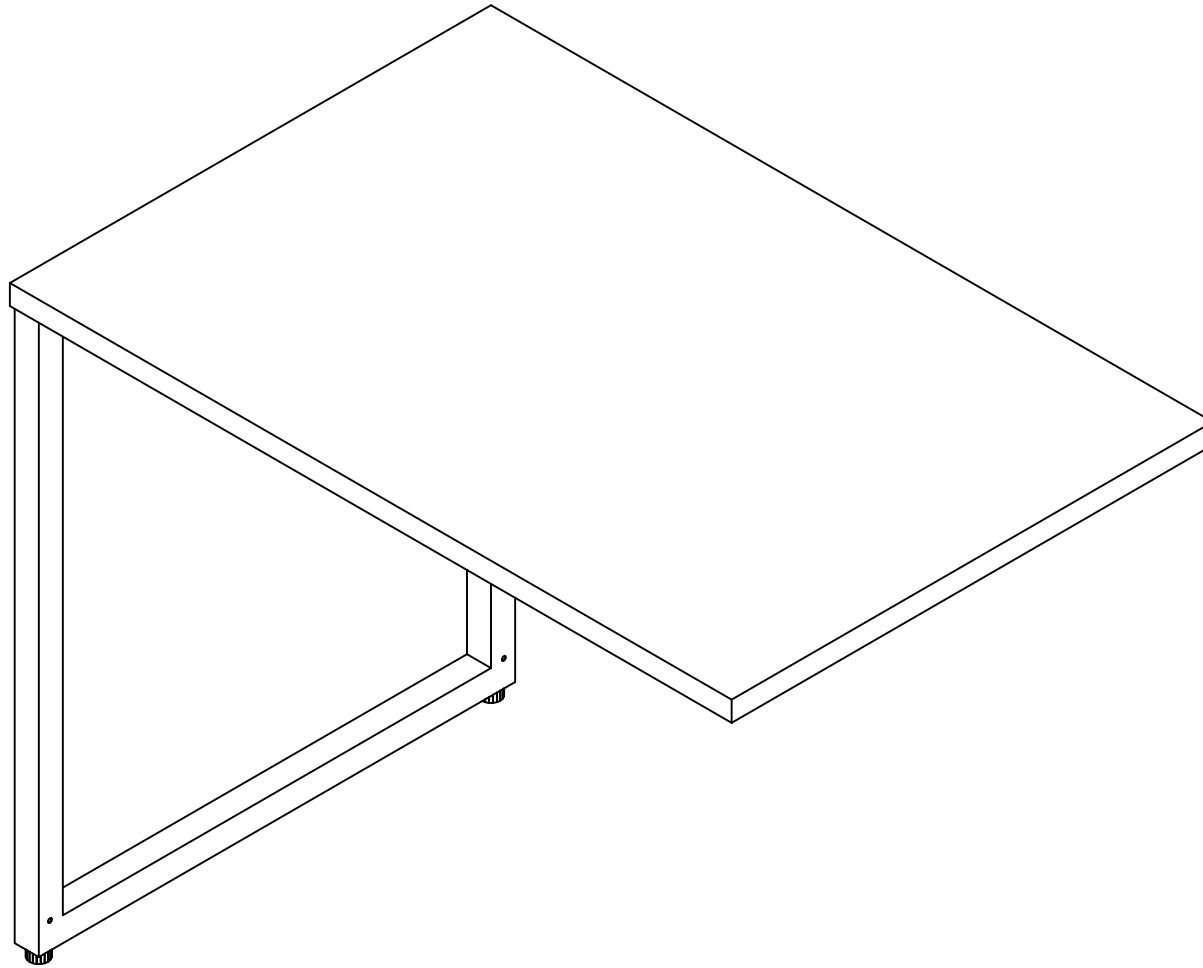


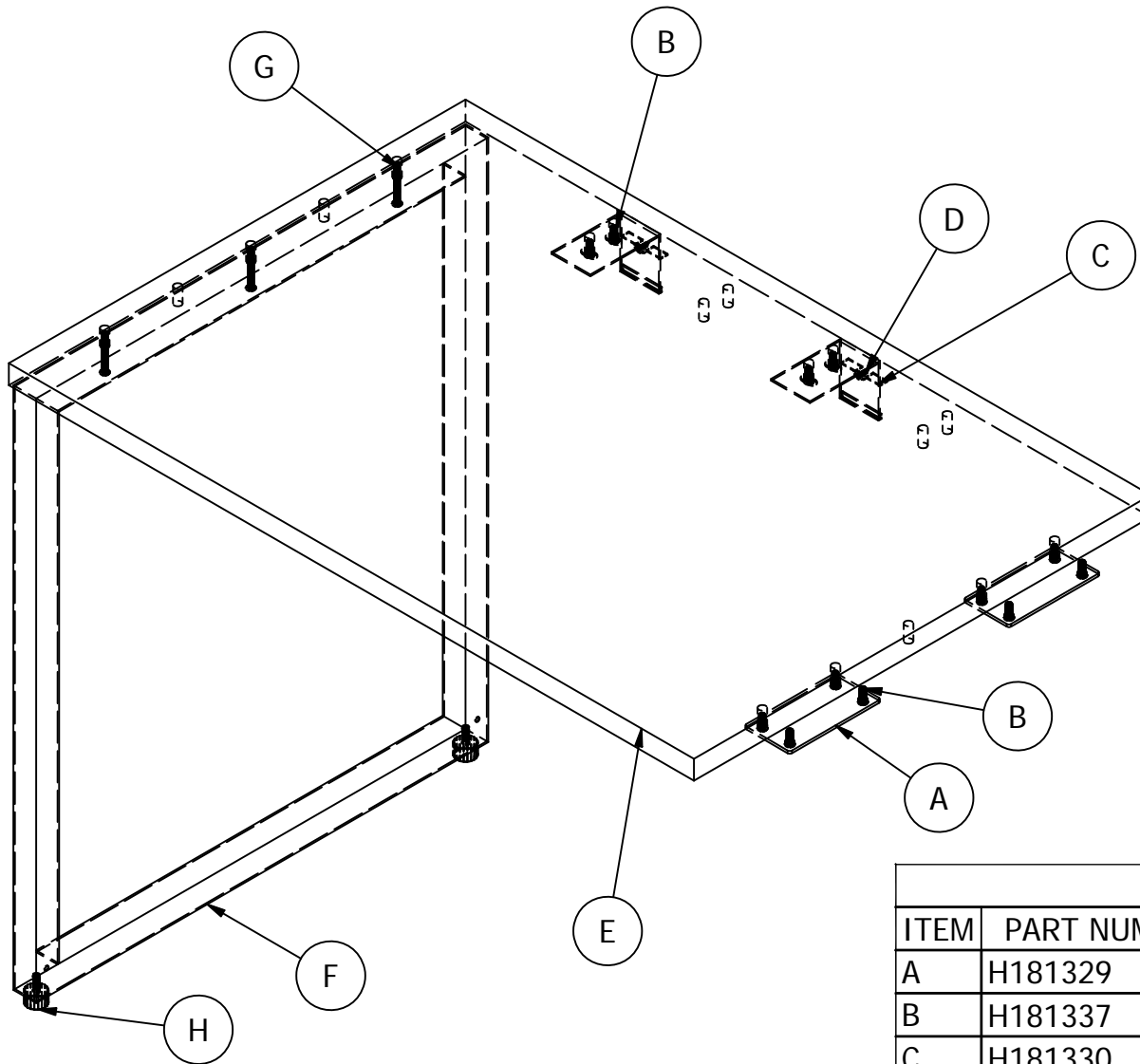
EOR136MR

BOX B: 36W X 24D RETURN/BRIDGE WITH LEG



NEED HELP?
Call 1-800-950-4782
www.bushbusinessfurniture.com

Lot Code #



Parts List			
ITEM	PART NUMBER	TITLE	QT
A	H181329	Connecting plate	2
B	H181337	M6 x 20 Truss HD	12
C	H181330	Desk Top Bracket	2
D	H77340	#8 x 1/2 TR. HD. SCREW	2
E	S181425	Return Top	1
F	H181341	Leg	1
G	H181338	M6 x 45 Socket HD	3
H	H181327	Leveler	2
I	A180134	BBF 10 YEAR WARRANTY SHEET	1