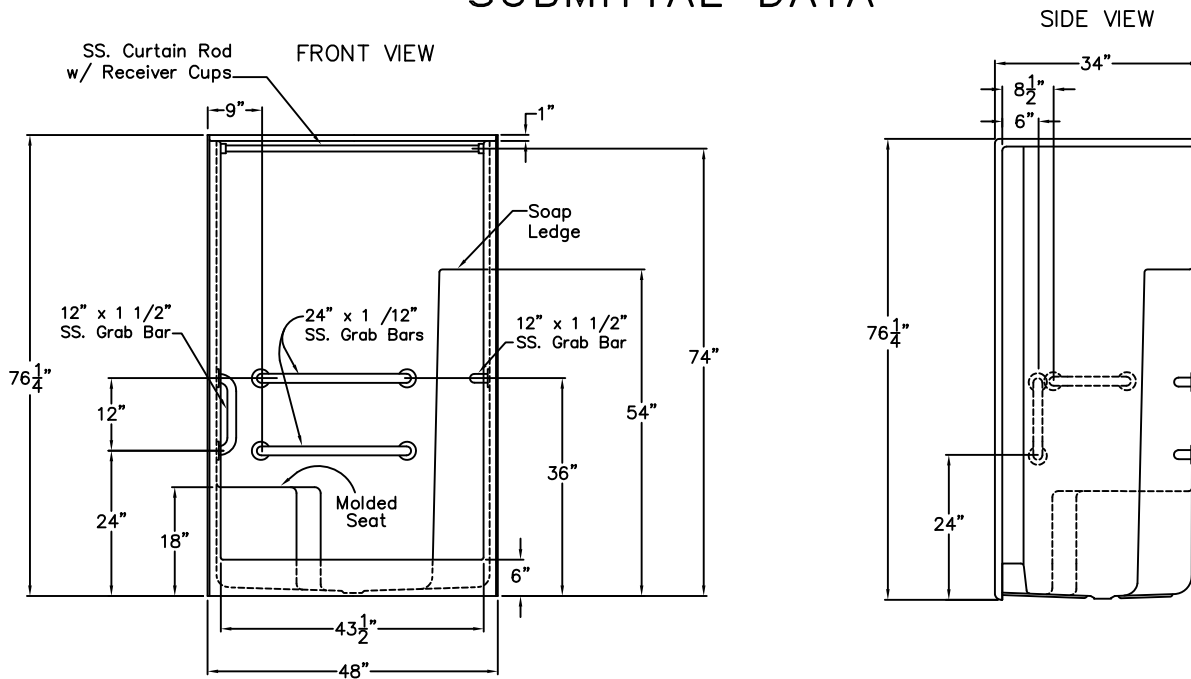


SPECIAL NEEDS SERIES SUBMITTAL DATA



Accessible Shower Stall

The shower enclosure shall be Praxis Model HS 771 Left seat. Finished surface shall be of sanitary-grade polyester Gelcoat exhibiting a minimal thickness of 15 dry mils, and a finished cured Barcol hardness of 80-90 as tested with ASTM D-2583. Construction shall be of molded reinforced fiberglass with a 15% minimum fiberglass content. The unit shall have outside dimensions of 48" X 34" X 76 1/4". The base shall be attached to the sump of the unit in such a manner to form an integral part with an inner and outer coating of reinforced polyester resin. The unit shall meet FHA, IAPMO Z124-11 CSA B45.5-11, Home Innovation Research Lab, BOCA, UPC, and shall meet the requirements of the Southern Building Code.

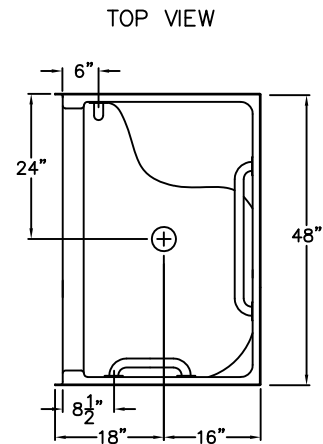
The enclosure shall be equipped with the following factory installed accessories:

- 1) Two 24" x 1 1/2" diameter stainless steel grab bars horizontal on the back wall,
- 2) Two 12" x 1 1/2" diameter stainless steel grab bars, one horizontal on the side wall opposite the seat and one vertical on the seat side wall, all with 1 1/2" statute clearance, mounted with stainless steel bolts, and secured from the rear with 3" x 3" x 11 gauge metal mounting plates,
- 3) large molded seat,
- 4) molded corner soap ledge,
- 5) One inch diameter stainless steel curtain rod with receiver cups,
- 6) 6" Threshold.

Available options: 1) green anti-bacterial shower curtain and hooks, 2) white shower curtain and hooks, 3) Valve Package.

THIS UNIT FEATURES THE OUTSIDE DIMENSIONS OF 48" OF OVERALL WIDTH. THIS DOES NOT ALLOW FOR FULL ENCLOSURE OF THE BOLTS THAT ARE USED TO SECURE THE BARS AND SEAT IN PLACE. THE BOLT AND NUT COMBINATION SHOULD NOT PROTRUDE ANY MORE THAN 3/4" ON EITHER SIDE OF THE SHOWER WALLS. THIS MAY REQUIRE THE NEED TO NOTCH STUDS TO ALLOW BOLT CLEARANCE FOR INSTALLATION.

FOR A DRY WALL ENCLOSED FIRE WALL INSTALLATION, ADJUSTMENT OF THE WALLBOARD MAY BE NECESSARY TO PROVIDE CLEARANCE OF THE BOLT (S) WHILE MAINTAINING THE INTEGRITY OF THE DRYWALL ENCLOSED FIRE WALL ENCLOSURE.



DUE TO THE NATURE OF THE MATERIALS DIMENSIONS MAY VARY ± 1/2"

Job Name:	PRAXIS
Approved by Print Name:	Drawing#: HS771 LH MS HBW2 VSW HSW CR
Approved by Signature:	Date Approved: Date: 7-23-96 Revised: 6-5-14
Rep.:	Wholesaler: Quote No.:

PRAXIS INDUSTRIES, INC.
435 INDUSTRIAL RD - SAVANNAH, TN 38372
1 (800) 443-7269 - FAX (901) 925-4290