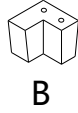
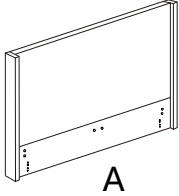


PALERMO/VERONA STORAGE BED FULL/QUEEN ASSEMBLY INSTRUCTIONS



BOX#1

- A. HEADBOARD 1 PC
- B. HEADBOARD LEG 2 PCS



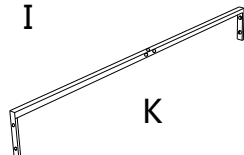
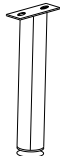
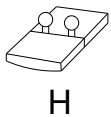
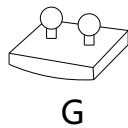
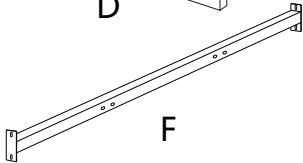
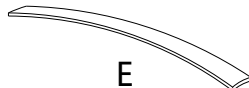
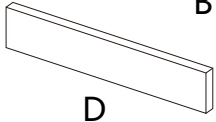
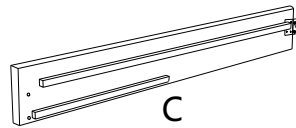
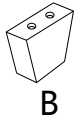
HARDWARE PACKED IN BOX#1

1	ALLEN BOLT(1/4"x1")		8 PCS
2	ALLEN BOLT(5/16"x3-1/4")		4 PCS
3	FLAT WASHER(5/16")		12 PCS
4	LOCK WASHER(5/16")		12 PCS
5	ALLEN KEY(1/4")		1 PC
6	ALLEN KEY(5/16")		1 PC

BOX#2

- B. FOOTBOARD LEG 2 PCS
- C. SIDE RAIL 2 PCS
- D. FOOTBOARD 1 PC
- E. SLAT 26 PCS
- F. CENTER SLAT SUPPORT 1 PC
- G. SIDE RAIL SLAT CLIP 26 PCS
- H. CENTER SUPPORT SLAT CLIP 13 PCS
- I. SLAT SUPPORT LEG 2 PCS
- J. METAL SUPPORT LEG 1 PC
- K. METAL SUPPORT BRACE 1 PC

HARDWARE SET



HARDWARE PACKED IN BOX#2

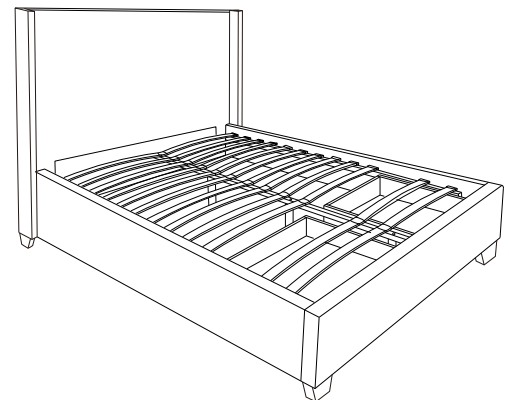
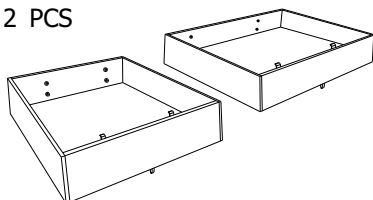
1	ALLEN BOLT(5/16"x1")		6 PCS
2	ALLEN BOLT(5/16"x2-1/2")		7 PCS
3	ALLEN BOLT(5/16"x3-1/4")		2 PCS
4	FLAT WASHER(5/16")		21 PCS
5	LOCK WASHER(5/16")		15 PCS
6	WRENCH(5/16")		1 PC
7	ALLEN KEY(5/16")		1 PC
8	HEX NUT(5/16"x12)		6 PCS

HARDWARE PACKED IN BOX#3

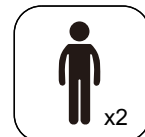
1	ALLEN BOLT(1/4"X1-1/4")		8 PCS
2	FLAT WASHER(5/16")		8 PCS
3	LOCK WASHER(5/16")		8 PCS
4	ALLEN KEY(1/4")		1 PC

BOX #3

- M. DRAWER BOX 2 PCS



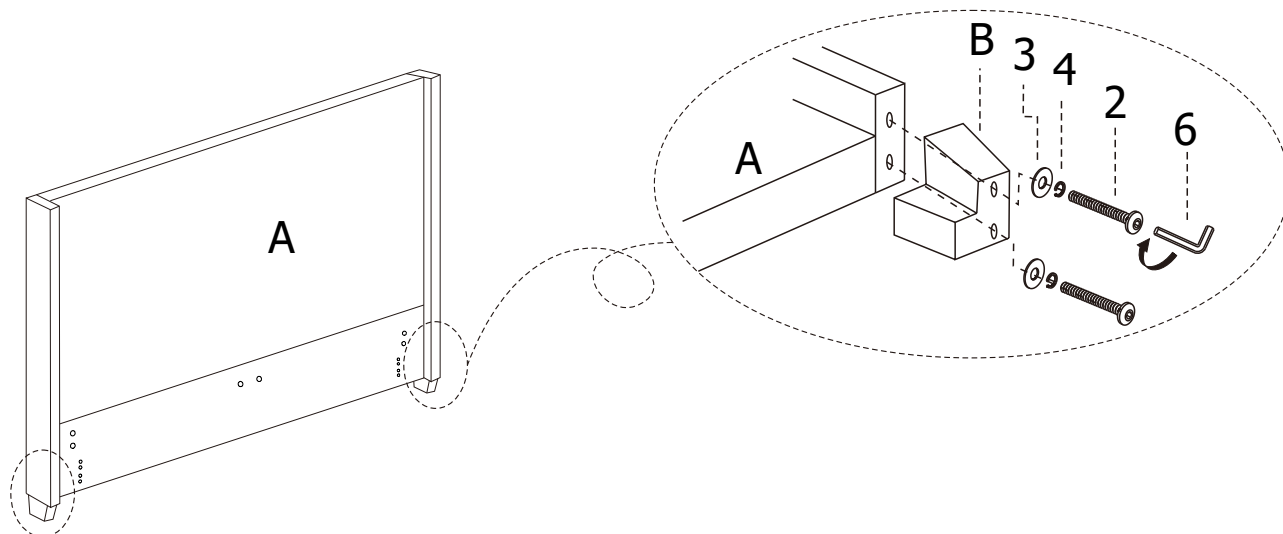
UPDATED:AUGUST 14TH, 2021



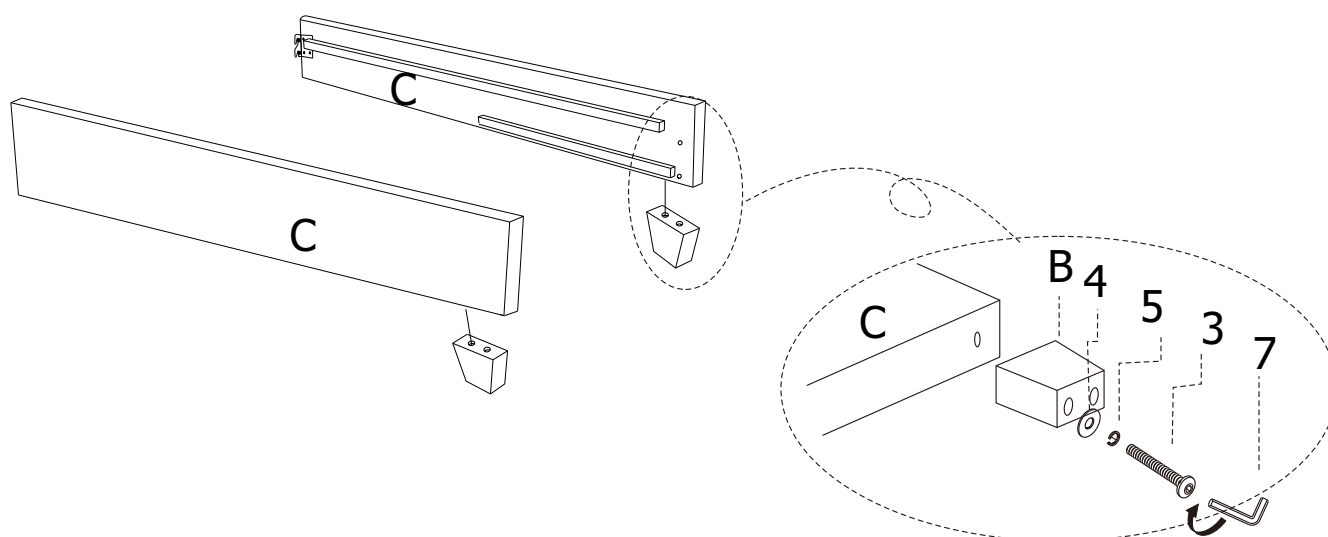
PALERMO/VERONA STORAGE BED FULL/QUEEN ASSEMBLY INSTRUCTIONS



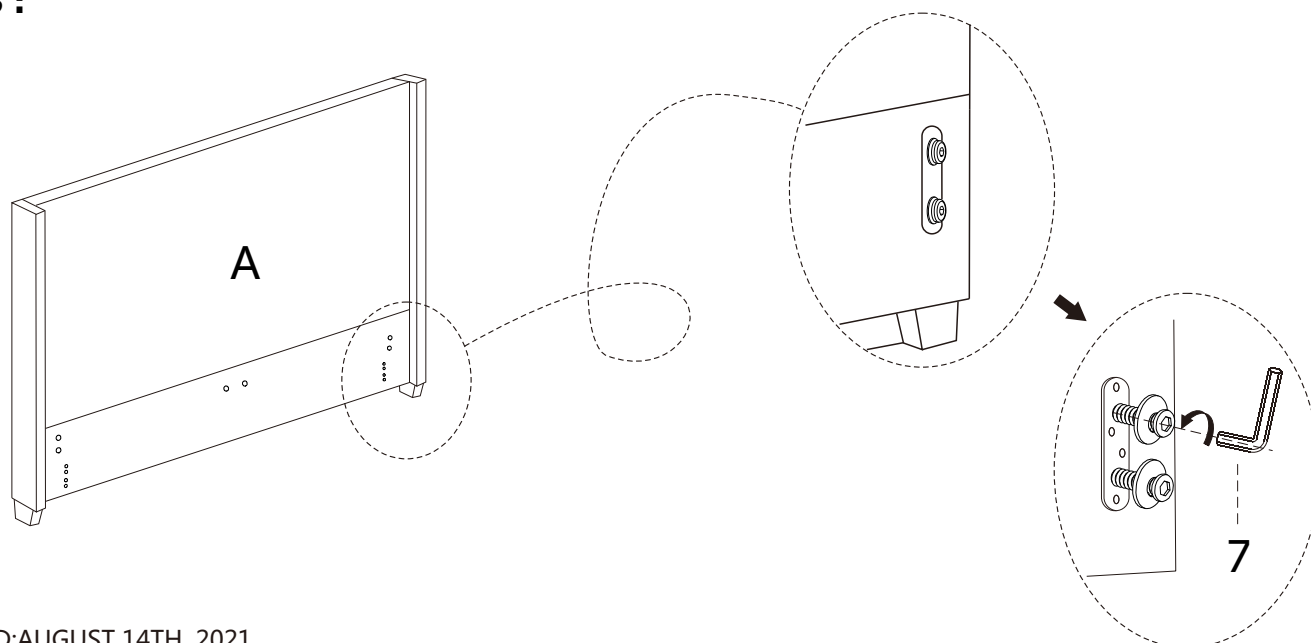
STEP 1 :



STEP 2 :



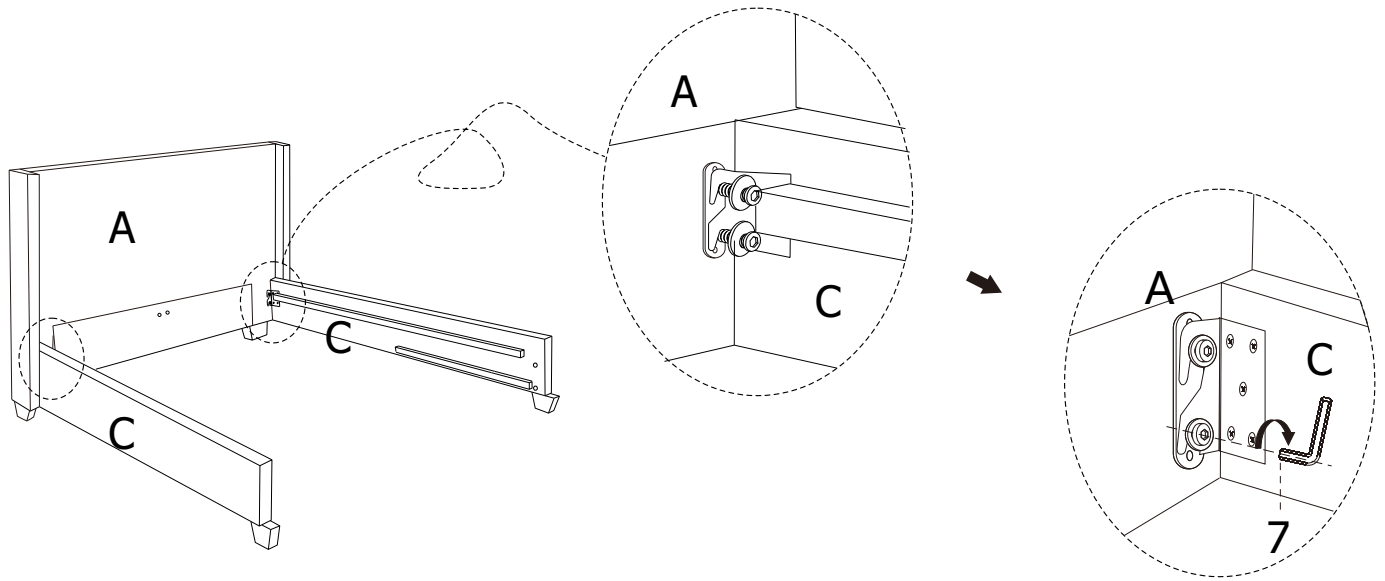
STEP 3 :



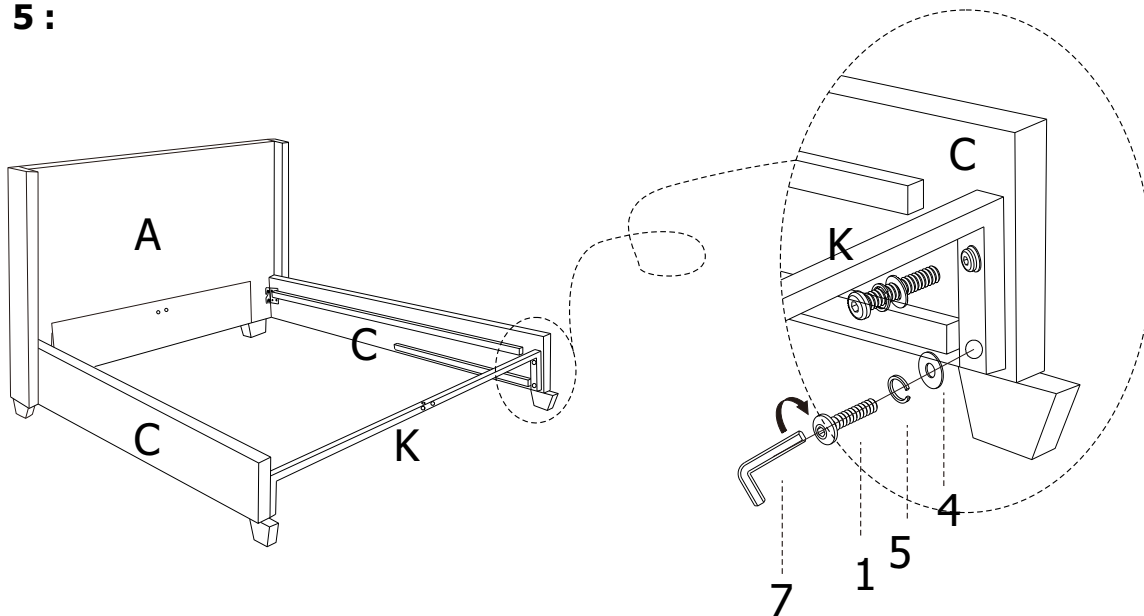
PALERMO/VERONA STORAGE BED FULL/QUEEN ASSEMBLY INSTRUCTIONS



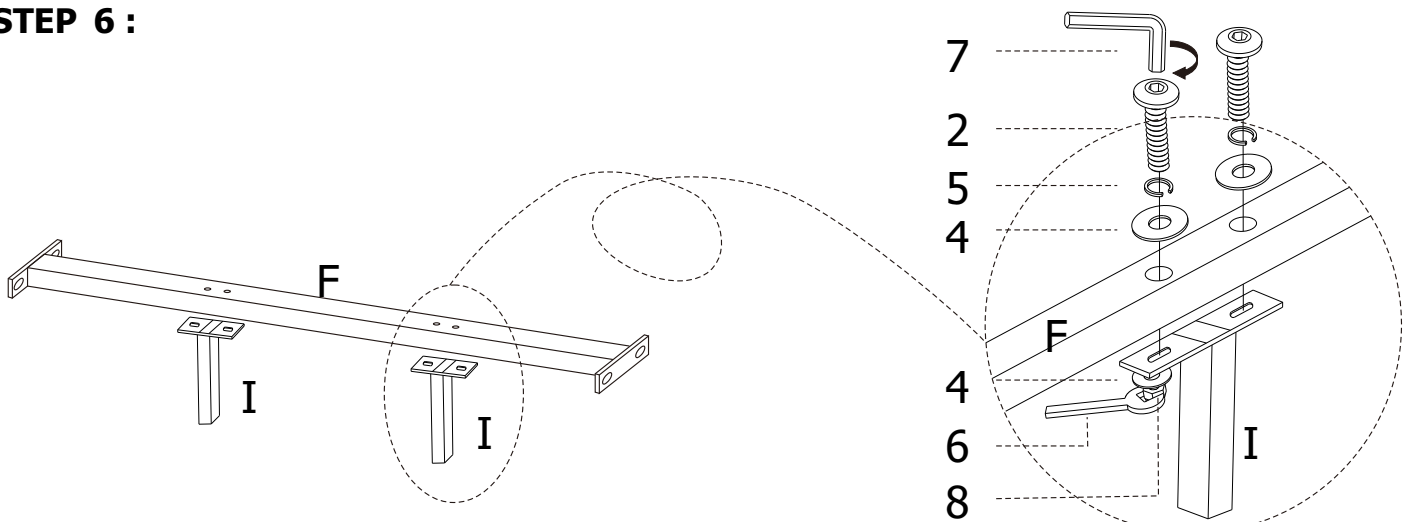
STEP 4 :



STEP 5 :



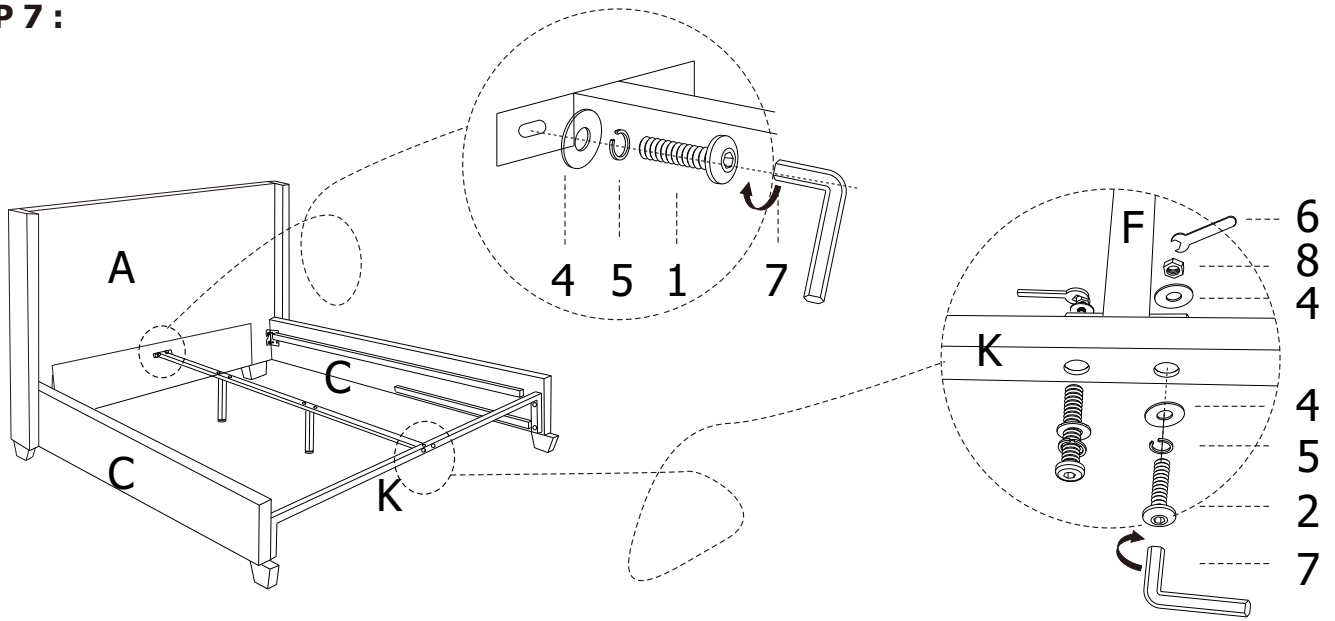
STEP 6 :



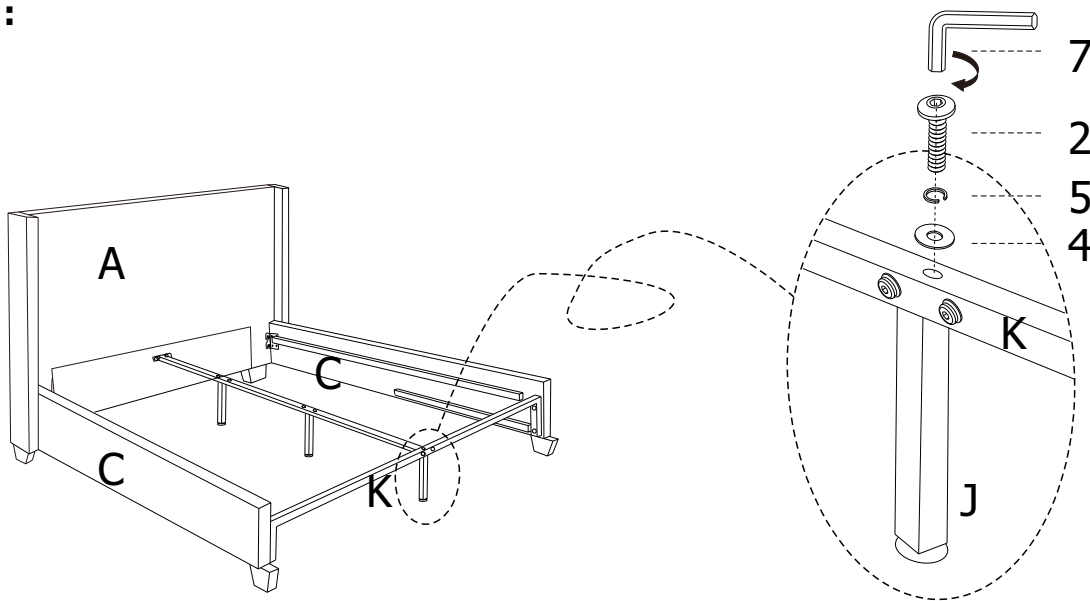
PALERMO/VERONA STORAGE BED FULL/QUEEN ASSEMBLY INSTRUCTIONS



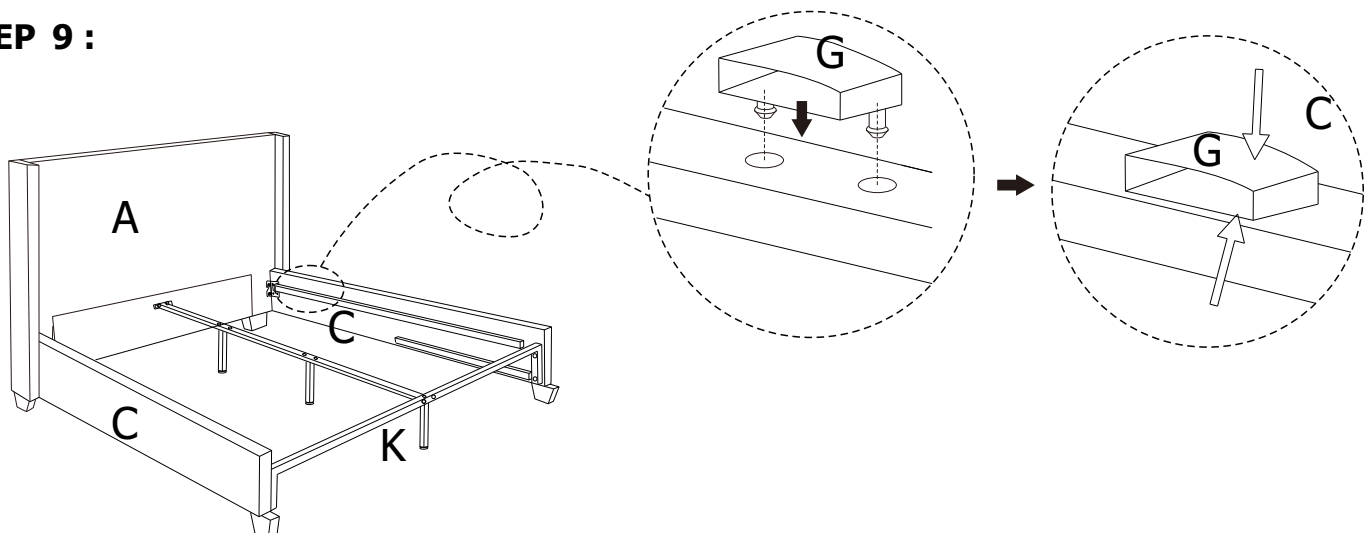
STEP 7 :



STEP 8 :



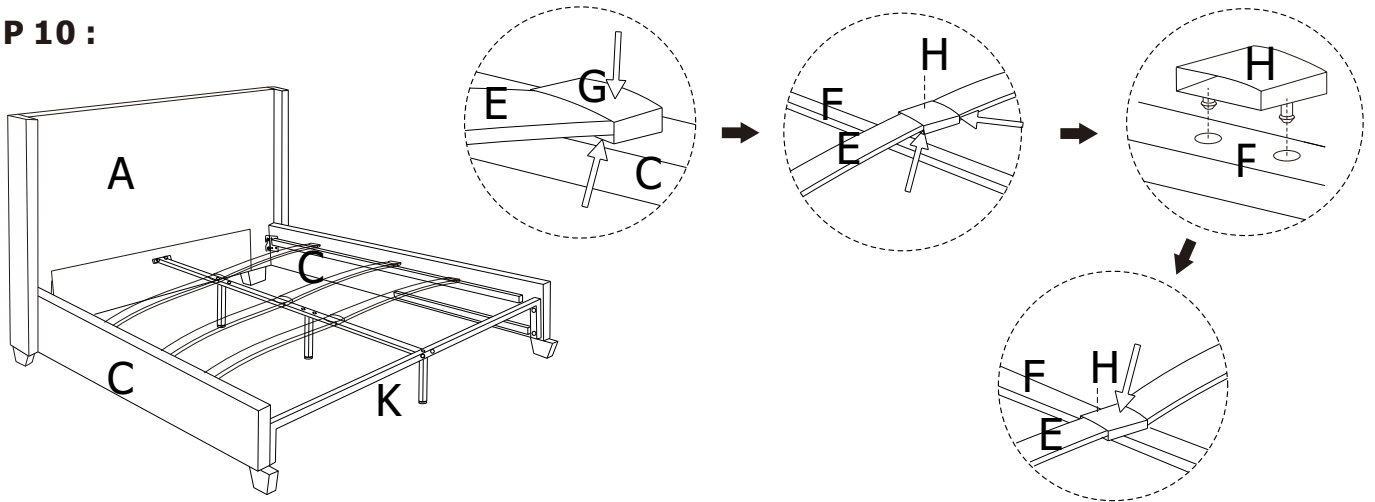
STEP 9 :



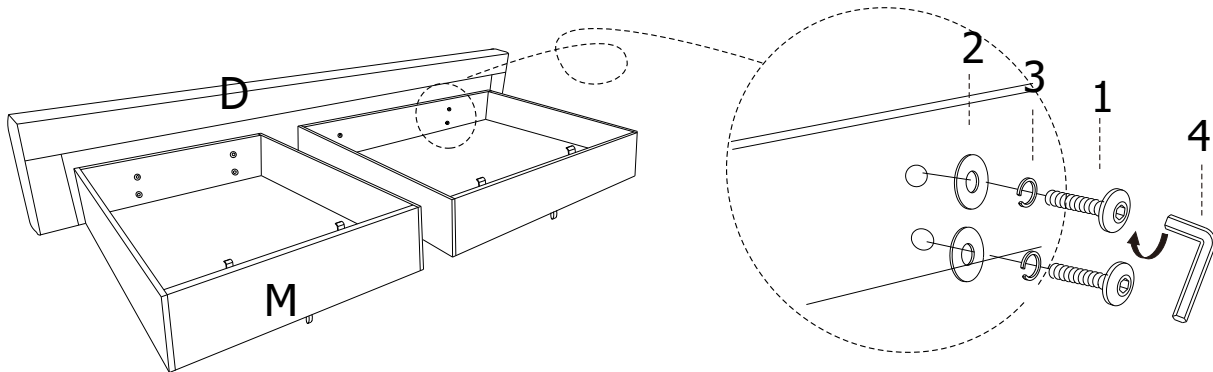
PALERMO/VERONA STORAGE BED FULL/QUEEN ASSEMBLY INSTRUCTIONS



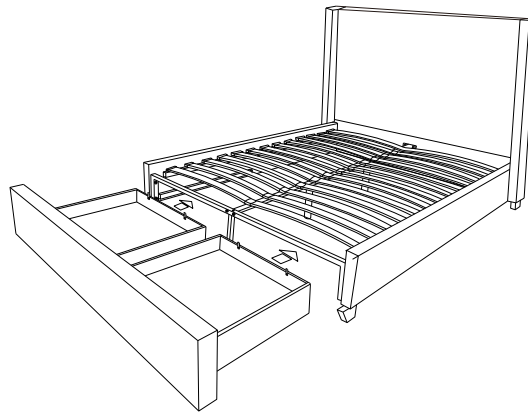
STEP 10 :



STEP 11 :USE HARDWARE Packed IN BOX #3 FOR THIS STEP.



STEP 12 :

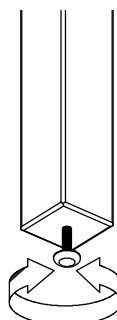


INSTRUCTIONS FOR ADJUSTING LEVELERS :

POSITION THE BED IN YOUR ROOM.
LOCATE LEVELERS UNDER EACH
SUPPORT LEG (I/J) .

TURN COUNTER-CLOCKWISE TO
EXTEND, CLOCKWISE TO RETRACT.

ADJUST LEVELERS UNTIL EACH LEG
SUPPORT IS APPLYING EQUAL UPWARD
PRESSURE ON THE CENTER SLAT.



MAINTENANCE INSTRUCTIONS :

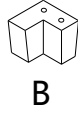
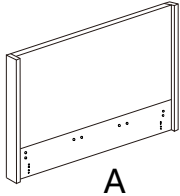
- REMOVE BOX SPRING AND MATTRESS BEFORE MOVING YOUR BED.
- LIFT YOUR BED WHEN MOVING IT. DRAGGING CAN DAMAGE CENTER SUPPORT.
- READJUST LEVELERS AFTER MOVING YOUR BED.

PALERMO/VERONA STORAGE BED C.KING/E.KING ASSEMBLY INSTRUCTIONS



BOX#1

- A. HEADBOARD 1 PC
- B. HEADBOARD LEG 2 PCS



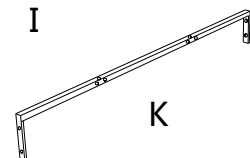
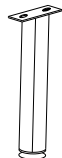
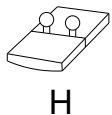
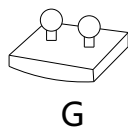
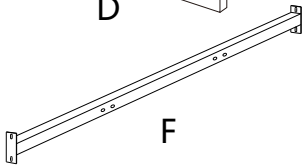
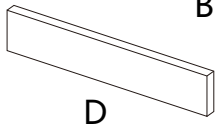
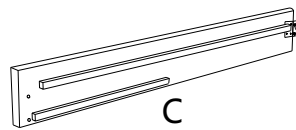
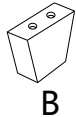
HARDWARE PACKED IN BOX#1

1	ALLEN BOLT(1/4"x1")		8 PCS
2	ALLEN BOLT(5/16"x3-1/4")		4 PCS
3	FLAT WASHER(5/16")		12 PCS
4	LOCK WASHER(5/16")		12 PCS
5	ALLEN KEY(1/4")		1 PC
6	ALLEN KEY(5/16")		1 PC

BOX#2

- B. FOOTBOARD LEG 2 PCS
- C. SIDE RAIL 2 PCS
- D. FOOTBOARD 1 PC
- E. SLAT 39 PCS
- F. CENTER SLAT SUPPORT 2 PCS
- G. SIDE RAIL SLAT CLIP 26 PCS
- H. CENTER SUPPORT SLAT CLIP 26 PCS
- I. SLAT SUPPORT LEG 4 PCS
- J. METAL SUPPORT LEG 1 PC
- K. METAL SUPPORT BRACE 1 PC

HARDWARE SET



HARDWARE PACKED IN BOX#2

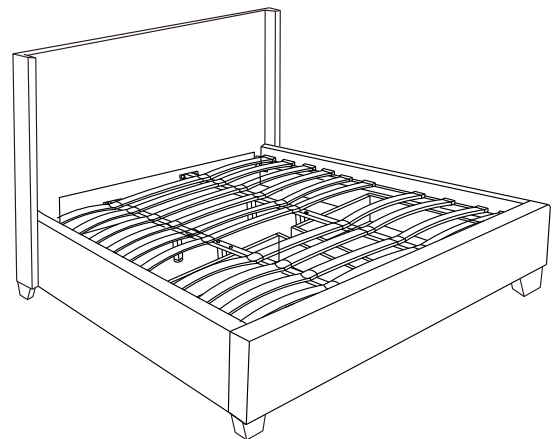
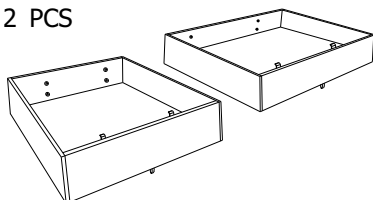
1	ALLEN BOLT(5/16"x1")		8 PCS
2	ALLEN BOLT(5/16"x2-1/2")		13 PCS
3	ALLEN BOLT(5/16"x3-1/4")		2 PCS
4	FLAT WASHER(5/16")		35 PCS
5	LOCK WASHER(5/16")		23 PCS
6	WRENCH(5/16")		1 PC
7	ALLEN KEY(5/16")		1 PC
8	HEX NUT(5/16"x12)		12 PCS

HARDWARE PACKED IN BOX#3

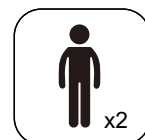
1	ALLEN BOLT(1/4"X1-1/4")		8 PCS
2	FLAT WASHER(5/16")		8 PCS
3	LOCK WASHER(5/16")		8 PCS
4	ALLEN KEY(1/4")		1 PC

BOX #3

- M. DRAWER BOX 2 PCS



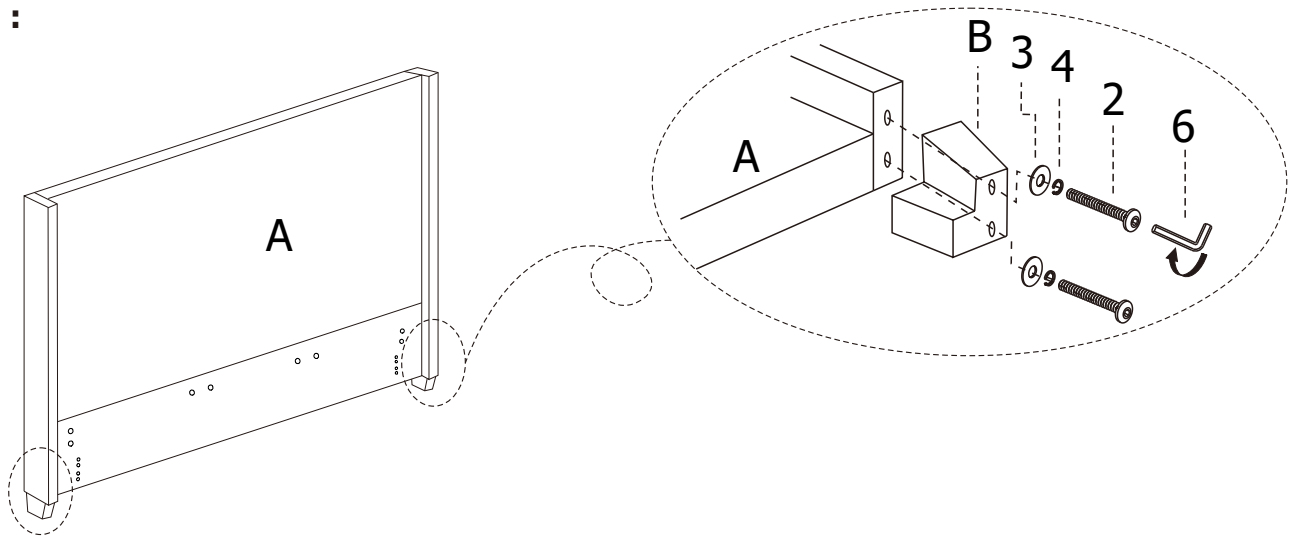
UPDATED:AUGUST 14TH, 2021



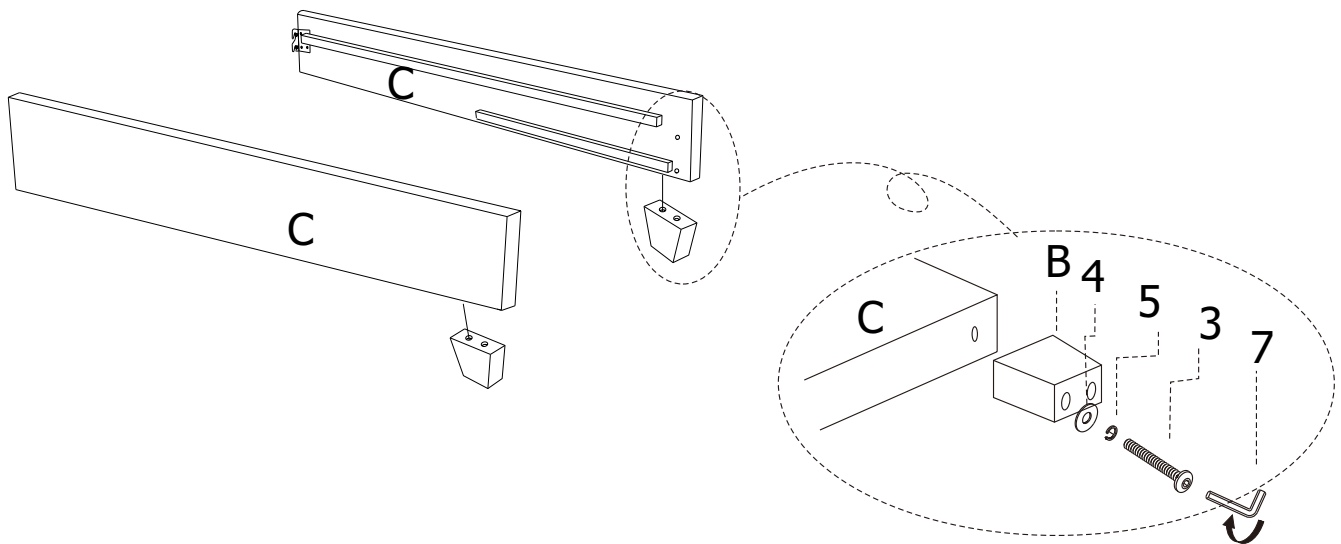
PALERMO/VERONA STORAGE BED C.KING/E.KING ASSEMBLY INSTRUCTIONS



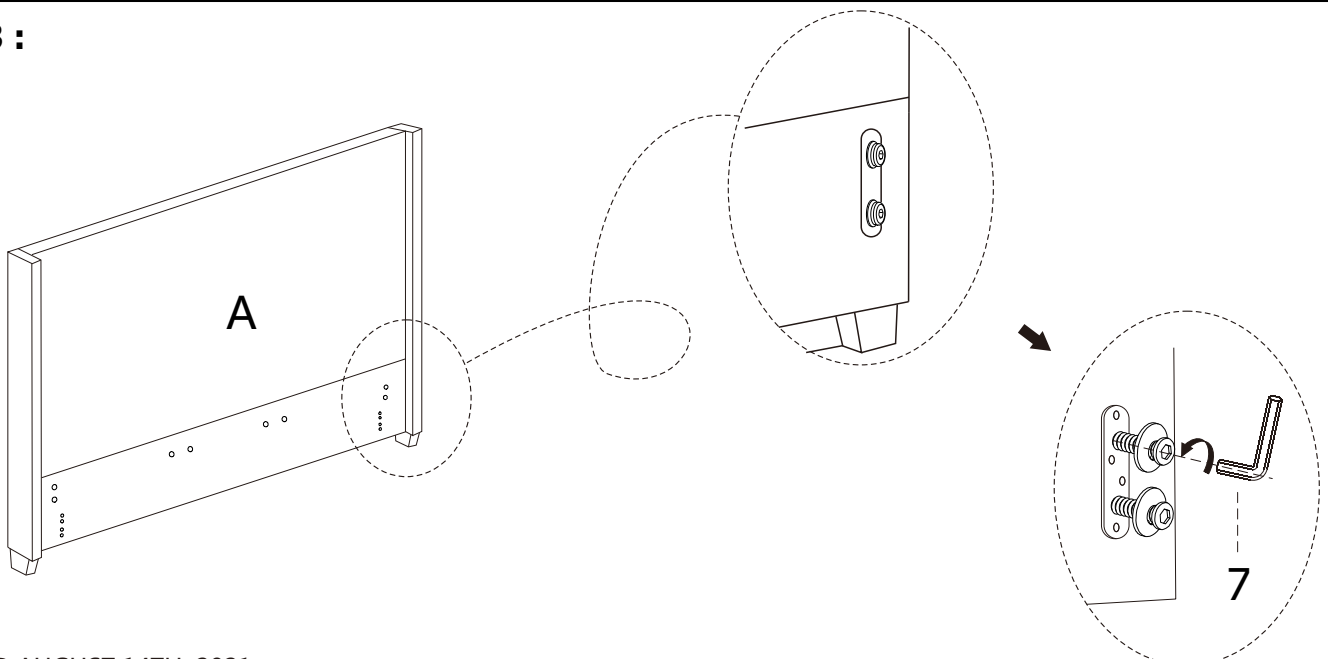
STEP 1 :



STEP 2 :



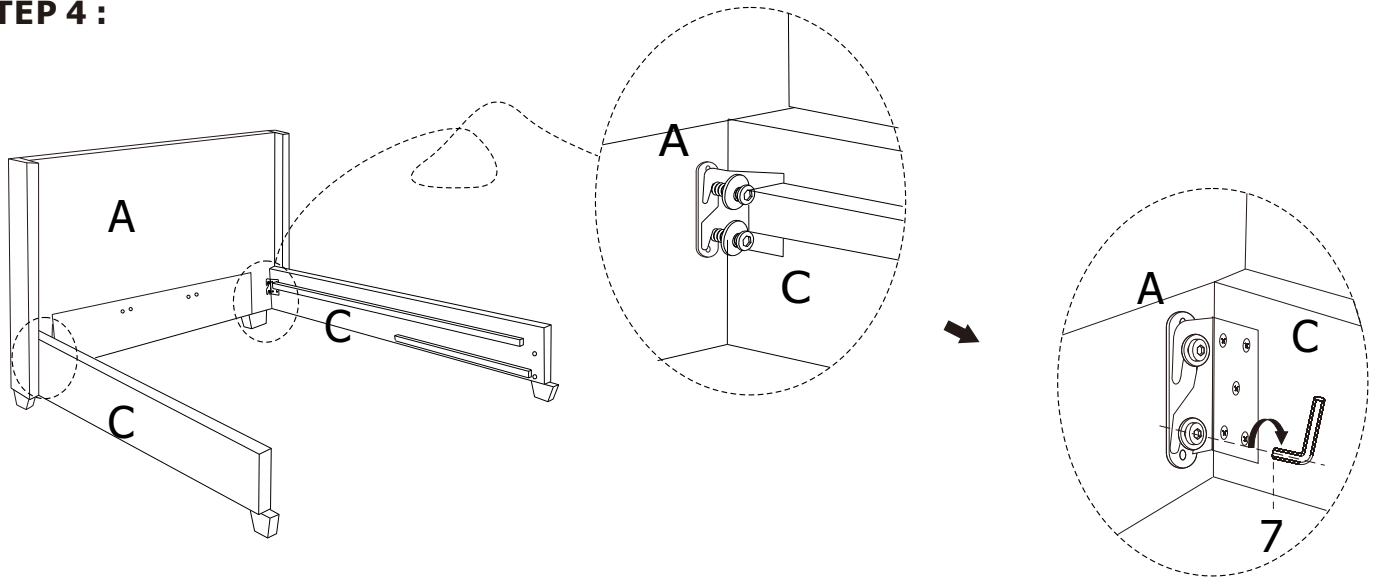
STEP 3 :



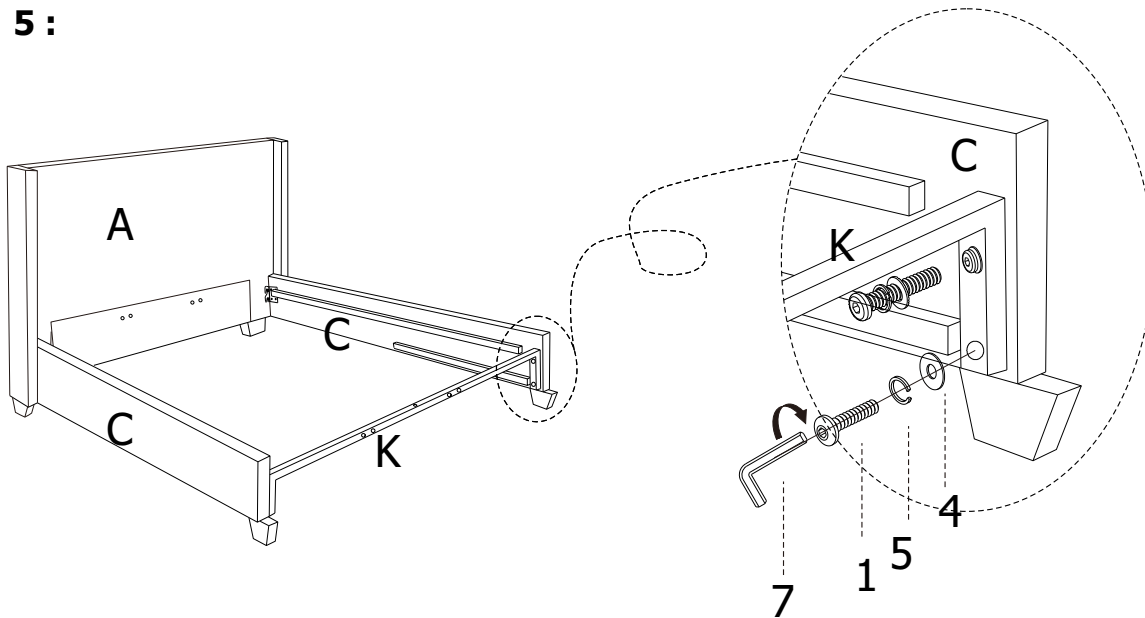
PALERMO/VERONA STORAGE BED C.KING/E.KING ASSEMBLY INSTRUCTIONS



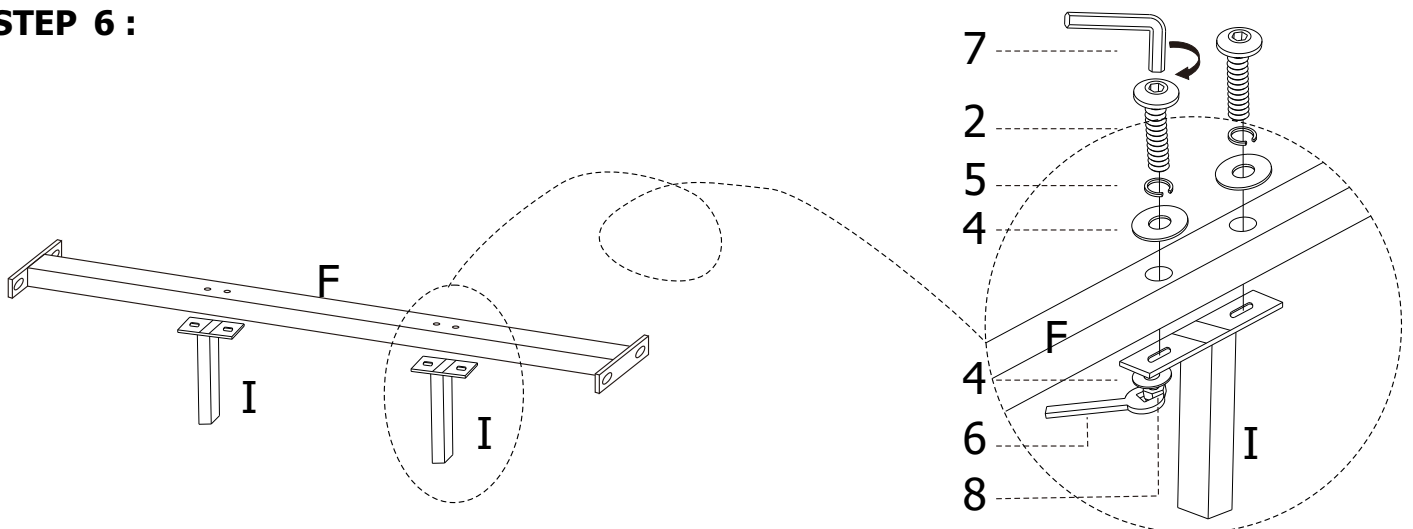
STEP 4 :



STEP 5 :



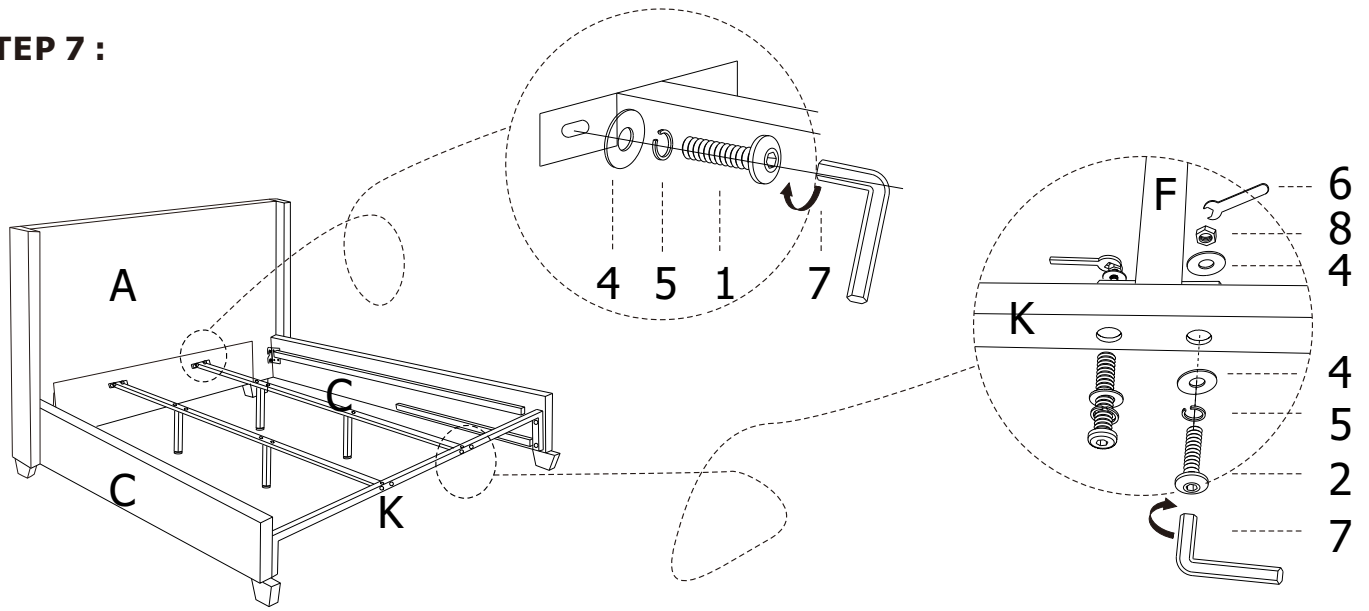
STEP 6 :



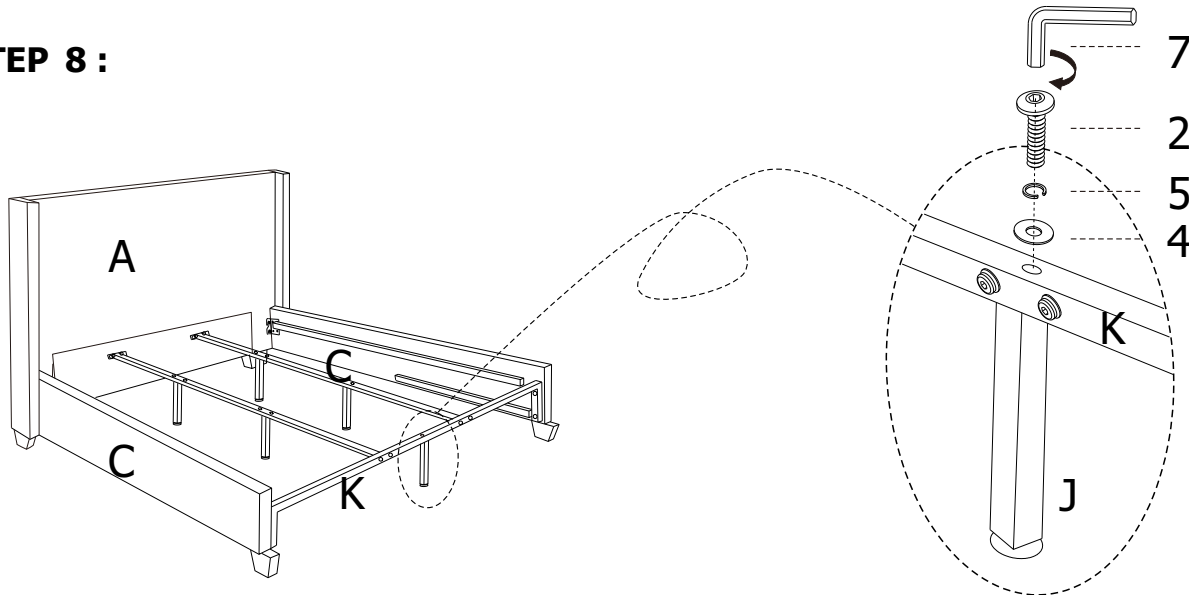
PALERMO/VERONA STORAGE BED C.KING/E.KING ASSEMBLY INSTRUCTIONS



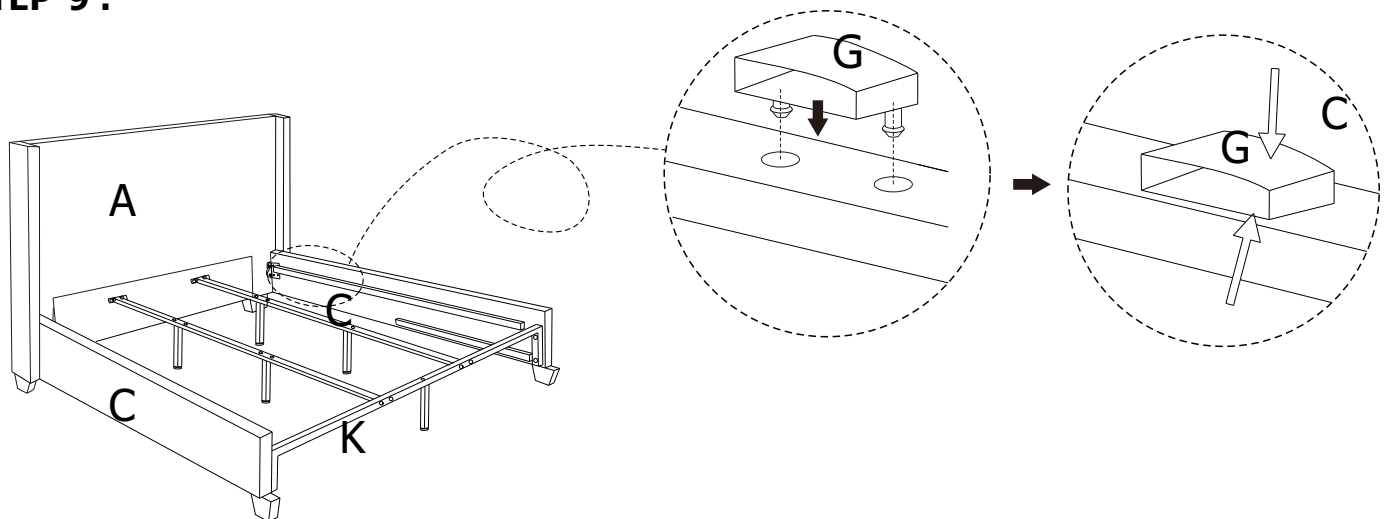
STEP 7 :



STEP 8 :



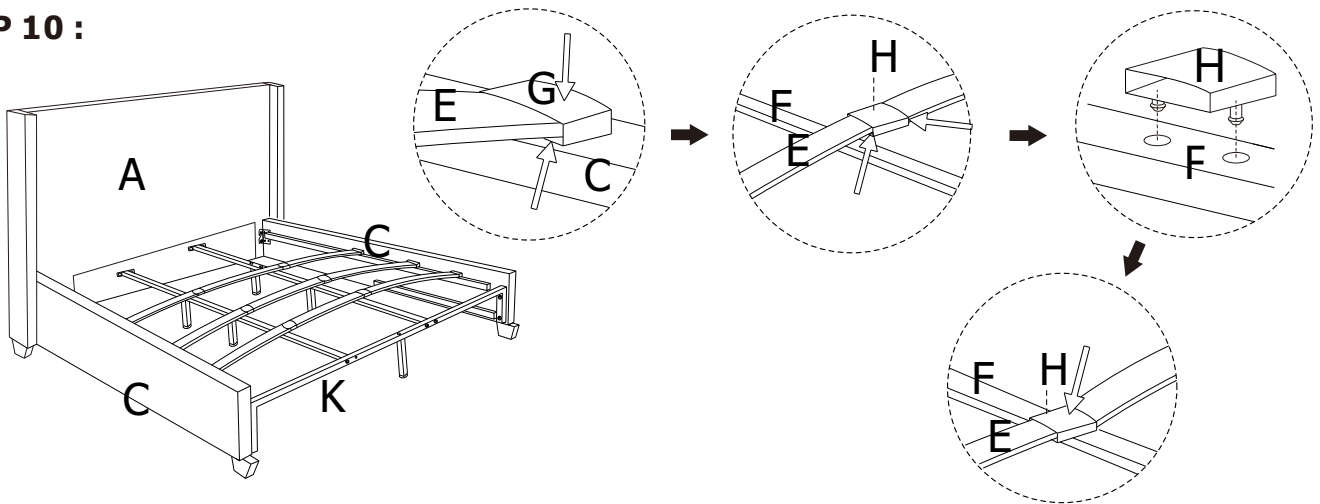
STEP 9 :



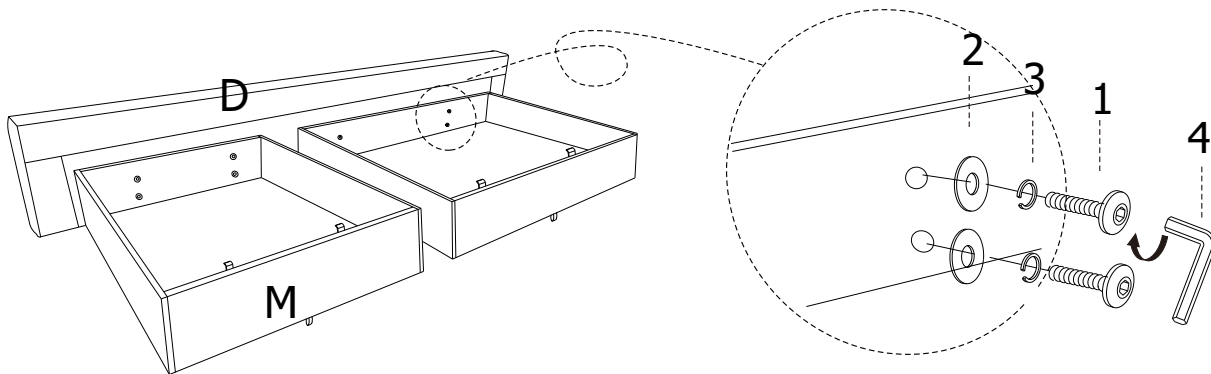
PALERMO/VERONA STORAGE BED C.KING/E.KING ASSEMBLY INSTRUCTIONS



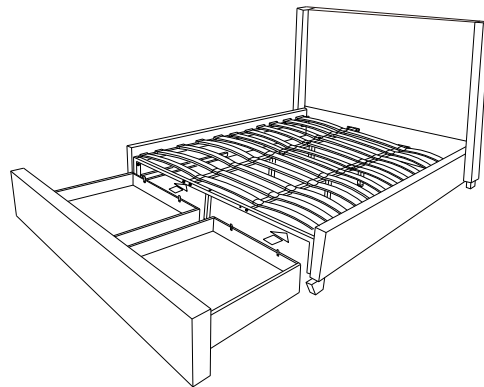
STEP 10 :



STEP 11 :USE HARDWARE PCKED IN BOX #3 FOR THIS STEP.



STEP 12 :

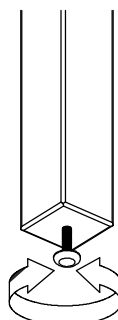


INSTRUCTIONS FOR ADJUSTING LEVELERS :

POSITION THE BED IN YOUR ROOM.
LOCATE LEVELERS UNDER EACH
SUPPORT LEG (I/J).

TURN COUNTER-CLOCKWISE TO
EXTEND, CLOCKWISE TO RETRACT.

ADJUST LEVELERS UNTIL EACH LEG
SUPPORT IS APPLYING EQUAL UPWARD
PRESSURE ON THE CENTER SLAT.



MAINTENANCE INSTRUCTIONS :

- REMOVE BOX SPRING AND MATTRESS BEFORE MOVING YOUR BED.
- LIFT YOUR BED WHEN MOVING IT. DRAGGING CAN DAMAGE CENTER SUPPORT.
- READJUST LEVELERS AFTER MOVING YOUR BED.