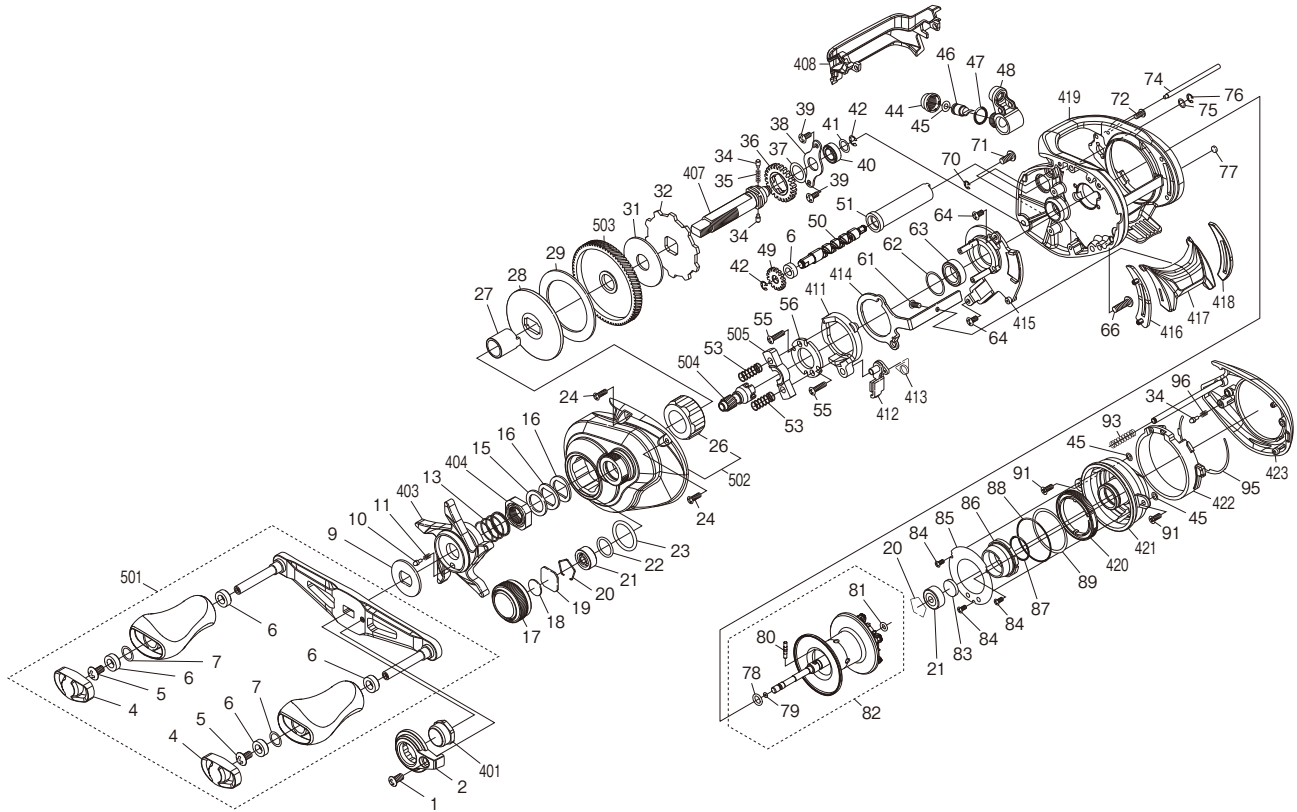


# SHIMANO

## SLX

## SLXXT151HGA



(51RL804A31X)

#	Part No.	Description	#	Part No.	Description	#	Part No.	Description
1	101VV	Screw	41	10C47	Washer	86	10E6U	Brake Ring Gear
2	10SSK	Handle Nut Plate	42	105NK	E Lock	87	10LA8	O Ring
4	100NC	Handle Knob Seal	44	10FJB	Pawl Cap	88	10CG1	O Ring
5	10LFA	Screw	45	10CFU	Washer	89	10RHW	Washer
6	10PXZ	Bushing	46	10BHQ	Line Guide Pawl	91	100UL	Screw
7	104FH	Washer	47	108WQ	O Ring	93	10KNH	Spring
9	10J22	Star Drag Click Plate	48	10DUG	Line Guide Assembly	95	100ND	Washer
10	10MFC	Click Pin	49	10SRL	Idle Gear	96	10GQZ	Click Spring
11	10BT2	Click Spring	50	100U6	Worm Shaft	401	10049	Handle Nut
13	10A70	Star Drag Spring	51	100UF	Level Wind Guard	403	100DS	Star Drag
15	10J1N	Star Drag Spacer	53	100U9	Yoke Spring	404	10A3U	Star Drag Nut
16	109F5	Drag Spring Washer	55	10LV0	Screw	407	100VZ	Drive Shaft
17	10050	Cast Control Cap	56	100US	Clutch Cam Retainer	408	10RMX	Level Wind Protector
18	10896	Cast Control Spacer B	61	10LF4	Screw	411	100W0	Clutch Cam
19	1085F	Spool Tension Spacer A	62	10190	Washer	412	10MQM	Clutch Pawl Assembly
20	1054D	Bearing Retainer	63	10EX6	Ball Bearing	413	10TMC	Clutch Pawl Spring
21	105C3	Ball Bearing	64	10LCT	Screw	414	100W5	Clutch Plate
22	101GT	O Ring	66	100UV	Screw	415	10DJ8	Clutch Guard Assembly
23	10R22	O Ring	70	105NB	E Lock	416	10TFB	Clutch Bar Guide B
24	10LCY	Screw	71	100UU	Screw	417	10TF9	Clutch Button
26	10F5C	Roller Clutch Bearing	72	100U4	Screw	418	100W3	Clutch Bar Guide A
27	100UC	Roller Clutch Inner Tube	74	100UT	Stabilizer Bar	419	1474M	Frame
28	10D3H	Key Washer	75	10FJZ	Washer	420	10055	Brake Dial
29	10R3D	Drag Washer	76	105NC	E Lock	421	1481G	Dial Case
31	10CHX	Drag Washer	77	108PY	Washer	422	10T4Q	B Side Plate Cam Lever
32	10D73	Anti-Reverse Ratchet	78	10TM7	O Ring	423	1481H	B Side Plate Assembly
34	10HJF	Idle Gear Pin	79	100BH	O Ring	501	10RN1	Handle Assembly
35	10JDY	Idle Gear Spring	80	10P67	Spool Clutch Pin	502	1481J	A Side Plate Assembly
36	101K8	Idle Gear A	81	10EZ7	O Ring	503	10CME	Drive Gear
37	108WU	O Ring	82	1474A	Spool Assembly	504	10CSD	Pinion Gear
38	109T1	Drive Shaft Retainer	83	10EX5	Spacer	505	1001Q	Yoke
39	10E23	Screw	84	10E7R	Screw			
40	105BL	Ball Bearing	85	100HC	Brake Dial Retainer Plate			

Please note that the number of adjusting washers may not be the same as shown in the exploded views.  
(Adjustment will vary with each individual product.)

(240222)\_001