

## VP3636CPANNS

36 x 36 x 6



PROFESSIONAL

### FEATURES

- Pre-leveled base
- Designed for tile-wall applications
- Slip-resistant, textured bottom
- Extended tiling flange (3T)
- Enhanced front profile
- Available in White only
- Patented design features:
  - corner drainage channels
  - step-design finishing guides
  - extended nailing flange
- Center drain
- Swan Solid Surface material
- Modern, matte finish
- 15-year residential limited warranty

### PACKAGED DIMENSIONS

- 37 1/4 x 37 1/4 x 8 1/2

### VERITEK PRO

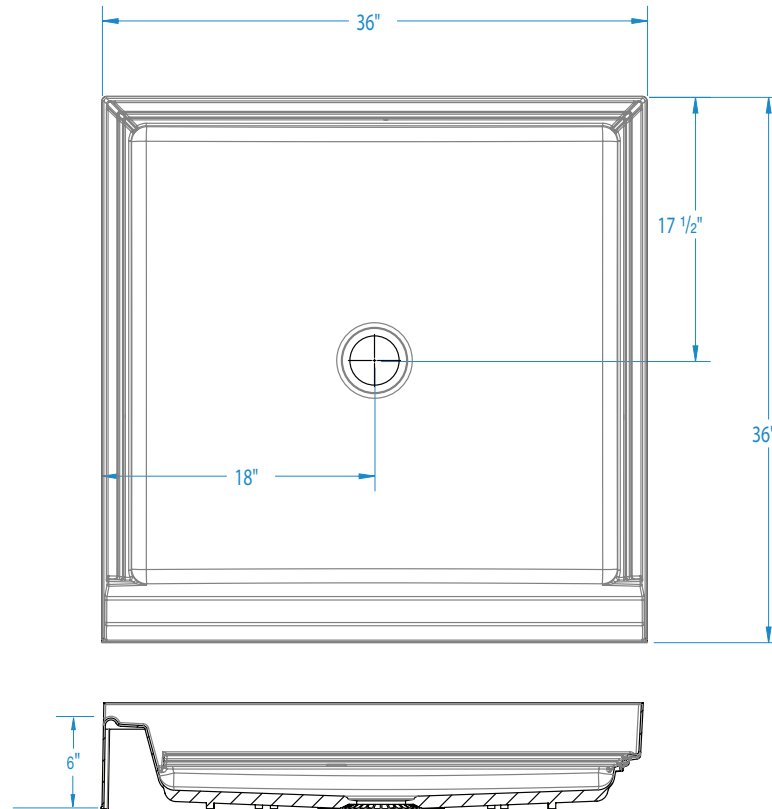
Lightweight and durable, Veritek Pro is produced with Swan Solid Surface, a proprietary SMC compound.

Veritek Pro is the better bathroom solution and is a snap to install!



# VP3636CPANNS

36 x 36 x 6 inches



**FEATURES** Dimensional Tolerance  $\pm 3/8"$ . Dimensions needed for site preparation should be measured from the unit. Manufacturer assumes no responsibility for preparatory work.

Model #	Material	Drain	Net Wt. lbs	Pkg. Wt. lbs
Shower Pan #VP3636CPANNS	Swan Solid Surface	Center	32	37

## DIMENSIONS

Specifications	inches
<b>Width:</b> Overall / Net	36
<b>Depth:</b> Overall / Net	36
<b>Height:</b> Overall / Net	7 / 6
<b>Enclosure Opening</b>	-
<b>Skirt Height</b>	6
<b>Drain Rough-In</b> (from Back Wall)	17 1/2
<b>Drain Rough-In</b> (from Side Wall)	18
<b>Drain:</b> Diameter / Clearance	3 1/4 / 3/8

## FRAMING DIMENSIONS inches

Type	D Depth	W Width	H Height	A	B	C
Alcove	36	36	-	Box Out	18	17 1/2

