



FLEXSTEEL®

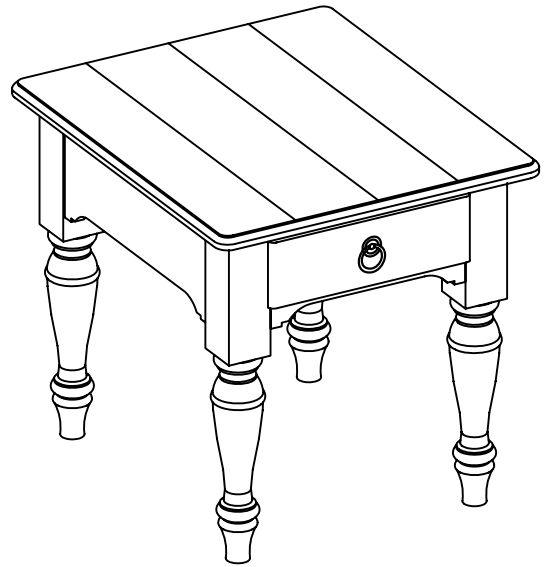
W1447-01

End Table

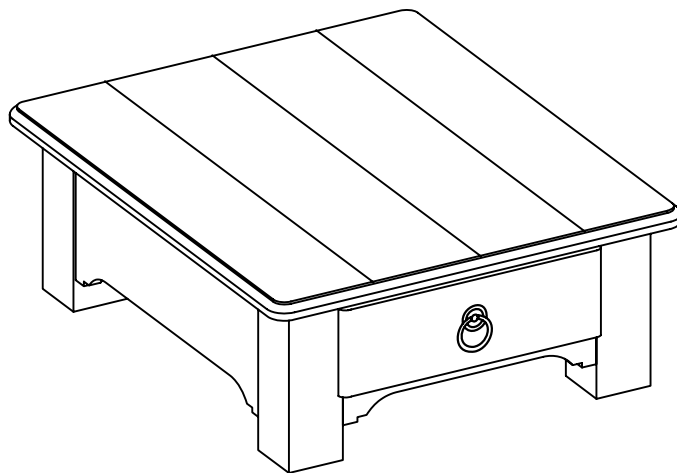
IMPORTANT NOTE

Carefully remove all the parts from the carton and put them individually on a soft cloth to prevent damage to the parts.

We have taken great care in the design of this product and request that you carefully and strictly follow our assembly instructions to ensure a completed product as it was designed.



Part List



A. Top Section
1 piece



B. Leg
4 pieces



IMPORTANT

- Use a soft cloth between these parts and the floor.

STEP 1

Place the Top Section (A) upside down on a soft surface and screw in the Legs (B). (See Figure 1.)

Taking care not to put any undue pressure on the legs, carefully position the table in an upright position.

Note: We recommend at least two adults assemble this item.

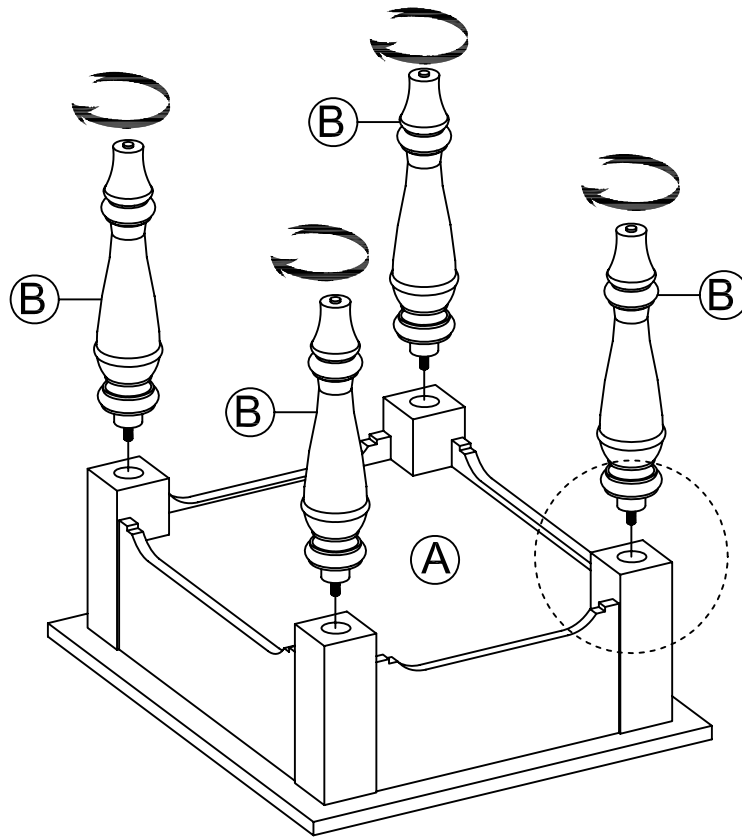


Figure 1

