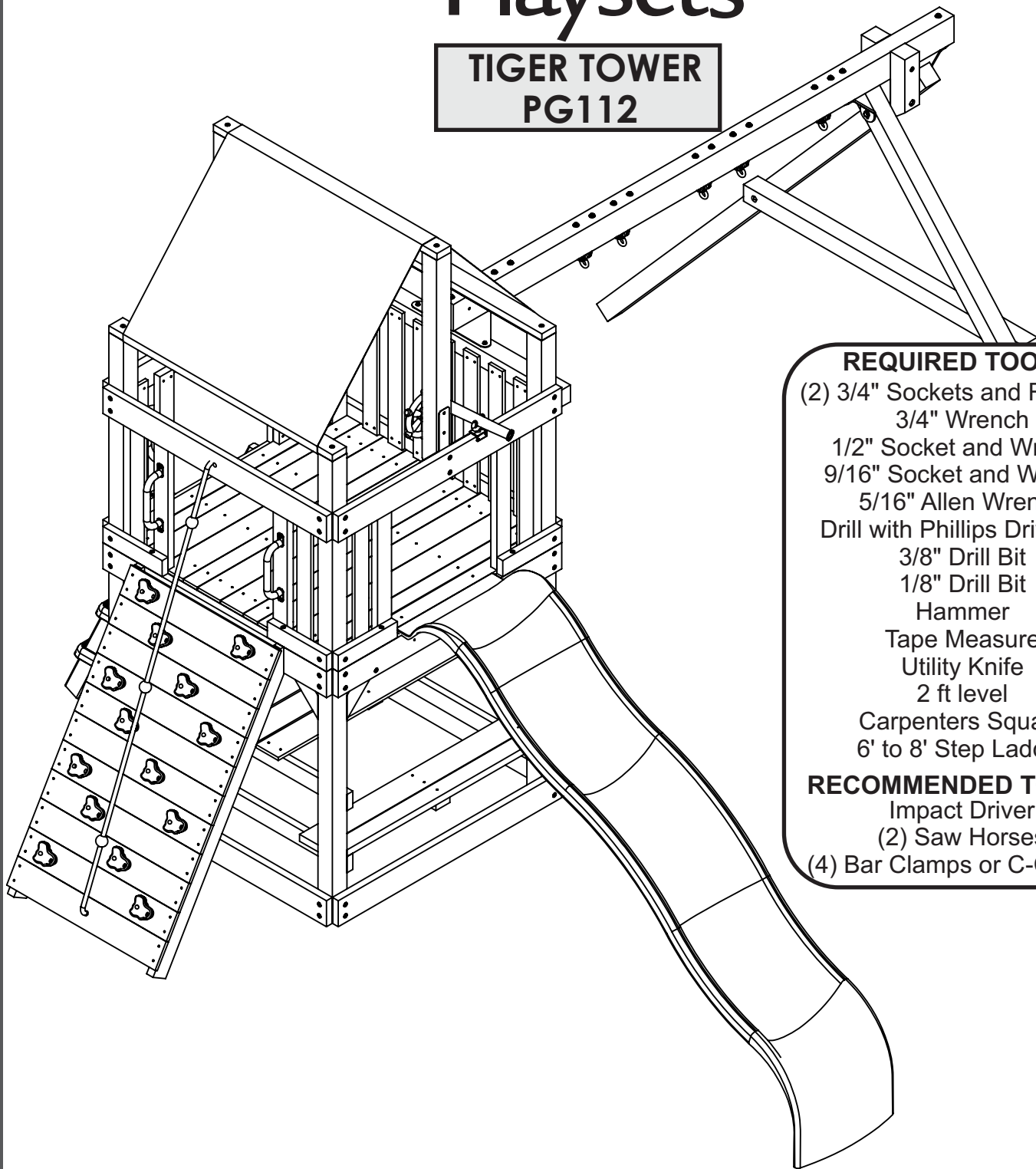


ChildLife®

Playsets

**TIGER TOWER
PG112**



REQUIRED TOOLS:

- (2) 3/4" Sockets and Ratchets
- 3/4" Wrench
- 1/2" Socket and Wrench
- 9/16" Socket and Wrench
- 5/16" Allen Wrench
- Drill with Phillips Driver Bit
- 3/8" Drill Bit
- 1/8" Drill Bit
- Hammer
- Tape Measure
- Utility Knife
- 2 ft level
- Carpenters Square
- 6' to 8' Step Ladder

RECOMMENDED TOOLS:

- Impact Driver
- (2) Saw Horses
- (4) Bar Clamps or C-Clamps

PG-MA-0008-00

I N T R O D U C T I O N

Welcome to our family of ready-to-build backyard play equipment. CHILDLIFE playsets are designed with ease of assembly in mind and we provide these step-by-step installation instructions.

After reading the information below, locate your structure site and carefully unpack parts. As you unpack your playset, keep the parts identification sheet handy and become familiar with each part before beginning assembly. Remember that a little extra time spent familiarizing yourself with the parts and instructions before you begin will help you avoid mistakes and save you time later.

Choosing A Location For Your Playset

When selecting your structure site, always keep the child's safety in mind. Here are some recommendations to help you create a safe play area.

A. The playset should be located on level ground. The stationary components such as ladders and slides are **REQUIRED** to be a minimum of six feet from any structure or obstruction such as a fence, garage, house, tree or overhanging branches, electrical wires or clotheslines. Any swinging equipment is also **REQUIRED** to be a minimum distance twice the height of the swing beam away from these obstructions or structures as well. We also recommend that you do not install your playset near a lake, river, swimming pool or other water hazard.

B. The U.S. Consumer Product Safety Commission (CPSC) recommends that you install and maintain a resilient surface under your play equipment. The CPSC's Consumer Information Sheet for Playground Surfacing Materials at the end of this manual. A resilient surface, should be installed after the equipment has been completely assembled according to these instructions. The equipment must rest on solid ground. Please note that this product has a maximum fall height of 8'.

Do not install home playground equipment indoors, or over concrete, asphalt, packed earth, grass, carpet or any other hard surface. A fall onto a hard surface can result in serious or fatal injury.

Responsible on-site adult supervision is one of the most important contributions to children's safety that you can make. CHILDLIFE strongly recommends on-site adult supervision of children of all ages. Safe swinging and climbing skills need to be taught to children, just like any other physical activity.

The weight limit for any single user on CHILDLIFE play equipment is 200 pounds. Limit the number of users to one on each swing. The tower portion of the play system will accommodate four (4) additional users.

When the time comes to disassemble and dispose of the play equipment, do so in such a way that no hazards will exist at the time the equipment is discarded.

Maintaining Your Playset

Here are some maintenance tips required to insure safe enjoyment of your equipment for years to come.

A. At the beginning of each usage season and every two weeks during, check: nuts and bolts and tighten as needed, swing seats, chains, ladders, slides, rope and wood components for signs of deterioration and replace if necessary.

B. On a yearly basis, we recommend that you coat your playset with a sealant or preservative. You may also want to spot sand any areas prior to sealing. Be sure that the sealant you select is non-toxic and child safe.

C. Do not use line trimmers or "weed eaters" around your play equipment. The line will remove both stain and wood from uprights and base pieces. Any damage resulting from this type of abuse is not covered under our limited warranty.

D. Remove plastic swing seats and take indoors or do not use when the temperature drops below 0° F.

**If you have any questions about your playset, or are in need of replacement parts, call 1-800-GO-SWING.
Please keep these instructions for future reference.**

S A F E T Y I N S T R U C T I O N S

Teach Children:

- Not to walk close to, in front of, behind, or between moving items.
- Not to twist the swing ropes, or loop them over the top support bar, since this may reduce the strength of the rope.
- Not to swing empty swing seats.
- Not to swing sideways into the path of adjacent swings.
- Not to use the equipment in a manner other than that for which it is intended.
- Not to get off the equipment while it is in motion.
- Not to jump off the tower.
- Not to climb or swing when they are wet or when the equipment is wet.
- To sit in the center of the swings with their full weight on the seats.
- To hold on to swings and climbers with both hands.
- Not to stand in the swing seats.
- Not to ride or leave bicycles or other toys in the swing area.
- Not to use hammers, saws, nails, or wrenches on the equipment.
- Not to swing so high that chains become slack, or above the height of the swing support.
- Not to jump on a slide.
- Not to climb on top of the swing support.
- Not to attach to the playground equipment any item that is not specifically designed for use with the equipment, such as (but not limited to) jump ropes, clotheslines, pet leashes, cables, and chains. These may become strangulation hazards.
- To slide feet first, never head first.
- To watch for other children while swinging or playing near the equipment.

In Addition, Adults Must:

- Limit climbing and swinging heights to each child's ability.
- Verify that suspended climbing ropes are secured at both ends.
- Verify that suspended climbing ropes cannot be looped back on themselves.
- Dress children appropriately for play. Use well-fitting shoes that do not have slippery soles.
- Avoid ponchos, scarves, hoods, loose-fitting clothing, neckties, and any clothing with a drawstring. Serious injury could result should any part of the children's clothing become entangled in the equipment.
- Do not allow children to play wearing helmets.
- Remember that children are inventive. When they develop games that are unsafe, be alert and change the rules.

STANDARD PARTS LIST

PG112 TIGER TOWER BASE

ITEM #	PART #	DESCRIPTION	QTY.
15	PG-14-0018	Short deck board	2
16	PG-14-0019	Thin deck board	4
20	PG-14-0020	rail upright	17
17	PG-16-0001	Wide deck board	6
21	PG-24-0019	rail upright w/handle holes	6
9	PG-24-0020	hole facia board	6
19	PG-24-0026	corner facia	4
18	PG-24-0030	deck joist	2
7	PG-26-0018	main beam	4
3	PG-26-0014	hole facia	6
2	PG-26-0015	hole facia w/rope hole	1
5	PG-26-0017	6 hole facia	2
6	PG-44-0013	top joist w/swing holes	1
4	PG-44-0016	corner upright w/T J hole	2
8	PG-44-0018	angled brace	8
1	PG-44-0024	corner upright	2
26	PG-44-0028	vertical roof support	2
27	PG-24-0031	ladder side	2

PG112 TIGER TOWER BASE HARDWARE

ITEM #	PART #	DESCRIPTION	QTY.
53	PG-HW-L002	1/4" x 4.5" Hex lag screw	4
39	PG-HW-L004	5/16" x 3" Hex lag screw	90
62	PG-HW-L003	5/16" x 2.5" Hex lag screw	1
44	PG-HW-W001	#10 Flat washer	38
52	PG-HW-W002	1/4" Flat washer	4
38	PG-HW-W003	5/16" Flat washer	90
47	PG-HW-W004	3/8" Flat washer	4
69	PG-HW-W007	FW1(3/8" 1.46 X19.03 X 8.7)	1
45	PG-HW-S001	#10 x 1 round head screw	38
57	PG-HW-S002	#8 x 1.25 round head screw	16
55	PG-HW-S003	#8 x 1.5 screw	68
40	PG-HW-S004	#8 x 2 PH Flat HD WDSCR	84
46	PG-HW-S005	#8 x 3 PH Flat HD WDSCR	8
50	PG-HW-N001	3/8 Nylon locknut	2
51	PG-HW-N003	3/8-16 Acron nut	2
48	PG-HW-B001	3/8-16 x 6.5 Hex bolt	2

PG112 TIGER TOWER BASE ACCESSORIES

ITEM #	PART #	DESCRIPTION	QTY.
60	PG-AC-0004	Telescope	1
61	PG-AC-0005	Ships wheel(Small)	1
58	PG-AC-0007	Vinyl Roof (2288mm x 1150mm)	1
56	PG-HW-M007	T- metal bracket for Tree house	2
70	PG-AC-0011	Name plate	1
29	PG-AC-0002	Small Handle(Yellow)	2
28	PG-AC-0001	Ladder Tread	4

TIGER TOWER WALL

ITEM #	PART #	DESCRIPTION	QTY.
24	PG-16-0003	34-1/2" 4 Hole RWB	4
25	PG-16-0004	34-1/2" 2 Hole inside RWB	6
23	PG-16-0005	34-1/2" RWB w/rope hole	1
19	PG-24-0026	13-3/4" Corner fascia	2
22	PG-24-0032	Rock wall support	2

**TIGER TOWER WALL
HARDWARE**

ITEM #	PART #	DESCRIPTION	QTY.
41	PG-HW-N002	3/8"-16 x 1/2" T-nut	14
43	PG-HW-B008	3/8-16 x1 socket head screw	14
44	PG-HW-W001	#10 Flat washer	18
45	PG-HW-S001	#10 x 1 round head screw	18
40	PG-HW-S004	#8 x 2 PH Flat HD WDSCR	44
52	PG-HW-W002	1/4" Flat washer	2
39	PG-HW-L004	5/16" x 3" Hex lag screw	2
53	PG-HW-L002	1/4" x 4.5" Hex lag screw	2
38	PG-HW-W003	5/16" Flat washer	2

**TIGER TOWER
WALL ACCESSORIES**

ITEM #	PART #	DESCRIPTION	QTY.
29	PG-AC-0002	Small Handle(Yellow)	2
59	PG-AC-0006	Rope	1
42	PG-AC-0003	Climbing Rock(7Y/7G)	14

STANDARD PARTS LIST

TIGER TOWER PICNIC TABLE

ITEM #	PART #	DESCRIPTION	QTY.
13	PG-16-0002	47-1/2" Table board	4
9	PG-24-0020	52" 2 hole facia	3
10	PG-24-0027	45-1/4" Seat board	2
14	PG-24-0028	20" table runner	1
12	PG-24-0029	8" seat runner	2
11	PG-26-0016	50" seat board	2

PICNIC TABLE HARDWARE

ITEM #	PART #	DESCRIPTION	QTY.
38	PG-HW-W003	5/16" Flat washer	6
39	PG-HW-L004	5/16" x 3" Hex lag screw	6
40	PG-HW-S004	#8 x 2 PH Flat HD WDSCR	34
55	PG-HW-S003	#8 x 1.5 screw	4

SWING BEAM

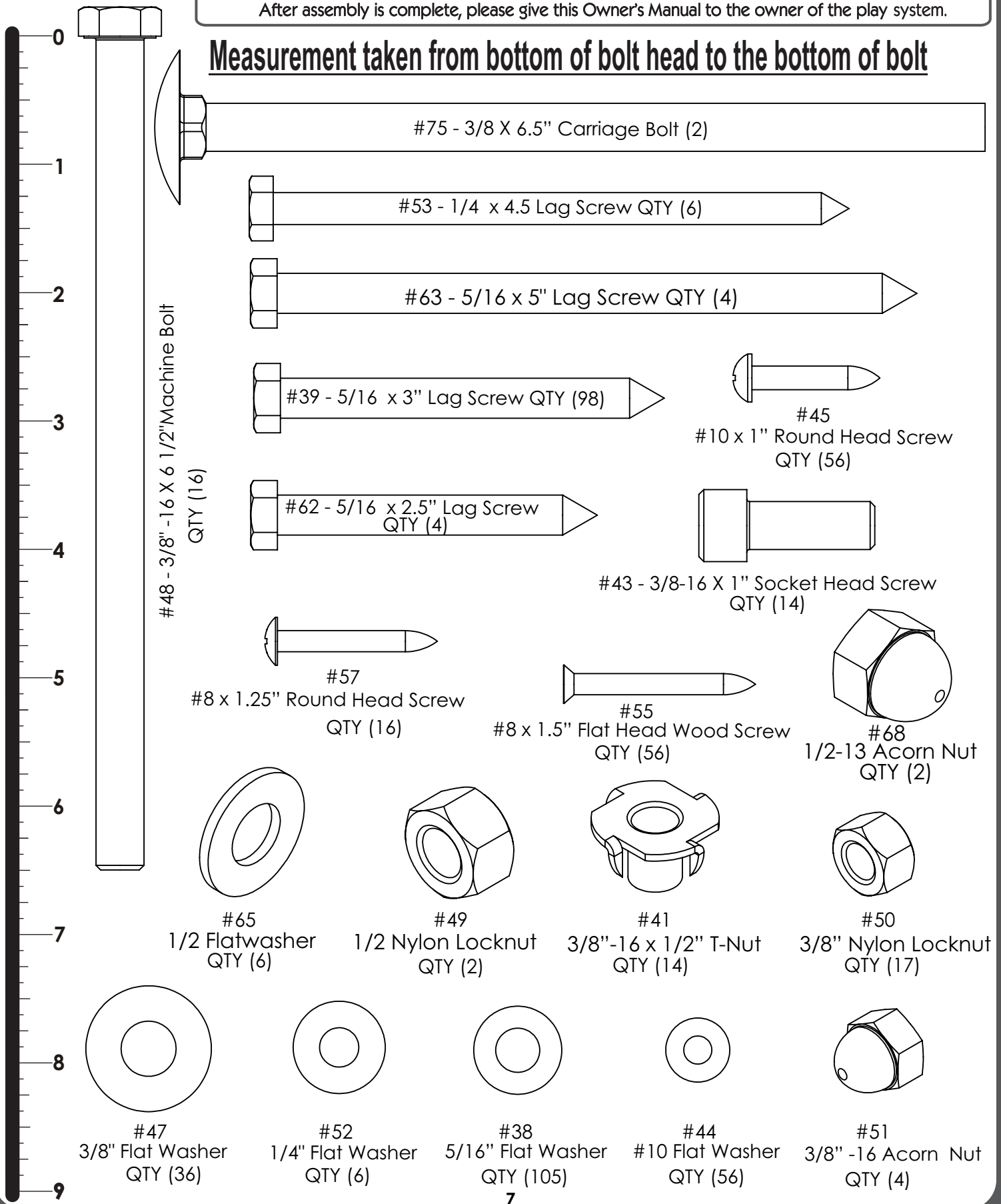
ITEM #	PART #	DESCRIPTION	PG204 QTY.	PG205 QTY.
30	PG-46-0001	116 1/2" 3 Position Head Beam		1
30	PG-46-0005	104" 2 Position Head Beam	1	
33	PG-44-0006	112" A Frame Leg	2	2
32	PG-44-0005	65"a-frame Cross Brace	1	1
35	PG-44-0008	U-joint Center Space Block	1	1
34	PG-44-0007	U-joint Outside	2	2
47	PG-HW-W004	3/8" Flat Washer	24	32
50	PG-HW-N001	3/8" Nylon Locknut	11	15
76	PG-HW-N008	3/8" Standard Nut	2	2
74	PG-HW-W007	3/8" Lock Washer	2	2
48	PG-HW-B001	3/8"-16x6.5" Hex Bolt	10	14
75	PG-HW-B011	3/8-16 X 6.5 Carriage Bolt	2	2
68	PG-HW-N005	1/2"-13 Acorn Nut	2	2
67	PG-HW-B005	1/2"-13x11.5" Hex Bolt	1	1
65	PG-HW-W005	1/2" Flat Washer	6	6
66	PG-HW-B004	1/2"-13x10" Hex Bolt	1	1
49	PG-HW-N004	1/2"-13 Nylon Locknut	2	2
38	PG-HW-W003	5/16" Flat Washer	7	7
63	PG-HW-L006	5/16"x5" Lag Screw	4	4
51	PG-HW-N003	3/8"-16 Acorn Nut	2	2
62	PG-HW-L003	5/16"x2.5" Lag Screw	3	3
64	PG-HW-B003	3/8"-16x9" Hex Bolt	1	1
73	PG-AC-0008	Belt Swing Green W/chain	1	1
73	PG-AC-0009	Belt Swing Yellow W/chain	1	1
31	PG-HW-M003	Angle Bracket	2	2
37	PG-HW-M004	Triangle Swing Beam Plate	1	1
36	PG-HW-M002	Ductile Swing Hanger	4	6
72	PG-AC-0010	Trapeze Set		1
71	PG-HW-M008	Spring Clip	4	6

HARDWARE IDENTIFICATION

NOTE TO INSTALLER

You must assemble this product in accordance with these Assembly Instructions. After assembly is complete, please give this Owner's Manual to the owner of the play system.

Measurement taken from bottom of bolt head to the bottom of bolt



#47
3/8" Flat Washer
QTY (36)

#52
1/4" Flat Washer
QTY (6)

#38
5/16" Flat Washer
QTY (105)

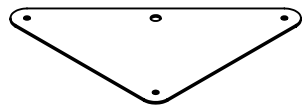
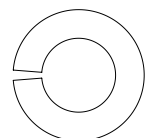
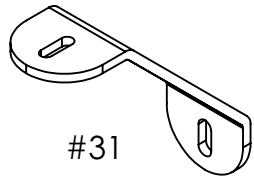
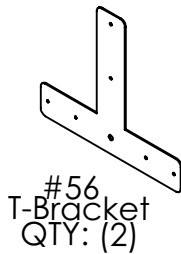
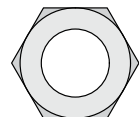
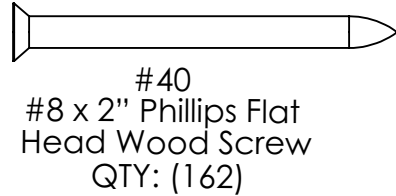
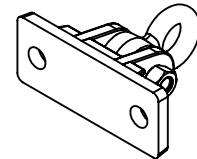
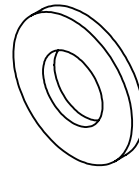
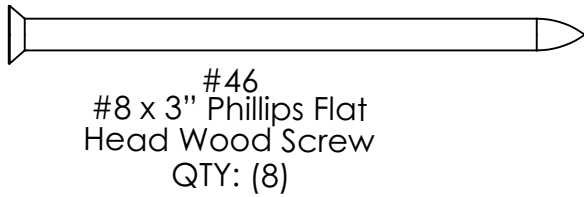
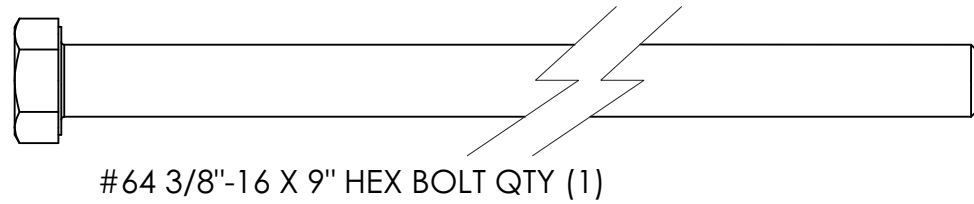
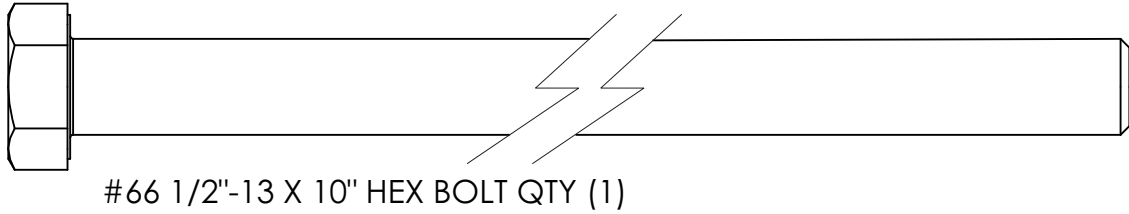
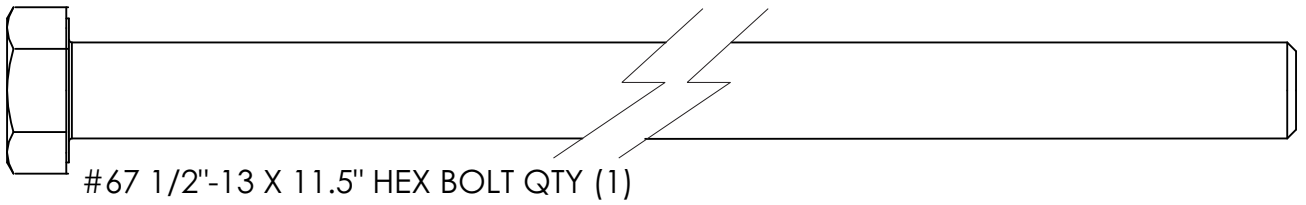
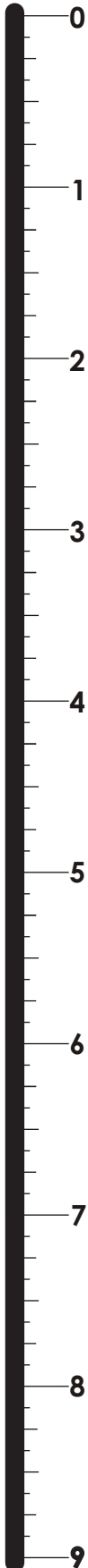
#44
#10 Flat Washer
QTY (56)

#51
3/8" -16 Acorn Nut
QTY (4)

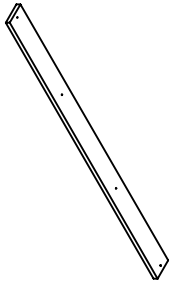
HARDWARE IDENTIFICATION

NOTE TO INSTALLER

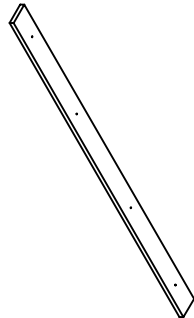
You must assemble this product in accordance with these Assembly Instructions.
After assembly is complete, please give this Owner's Manual to the owner of the play system.



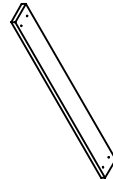
PARTS IDENTIFICATION



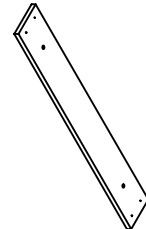
#15
45 1/4"
SHORT DECK BOARD
PG-14-0018
QTY. (2)



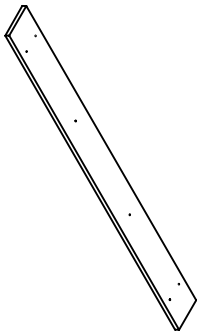
#16
52"
DECK BOARD
PG-14-0019
QTY. (4)



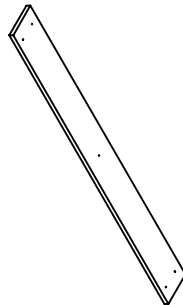
#20
27 1/2"
RAIL UPRIGHT SLAT
PG-14-0020
QTY. (13)



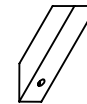
#24
34 1/2"
2 HOLE ROCK WALL BOARD
PG-16-0003
QTY. (4)



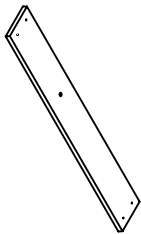
#17
52"
DECK BOARD
PG-16-0001
QTY. (6)



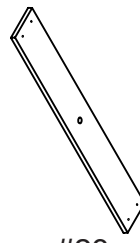
#13
47 1/2"
TABLE BOARD
PG-16-0002
QTY. (4)



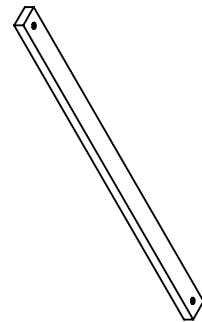
#08
ANGLE BRACE
PG-44-0018
QTY. (8)



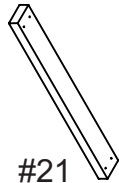
#25
34 1/2"
1 HOLE ROCK WALL BOARD
PG-16-0004
QTY. (6)



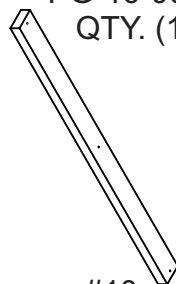
#23
34 1/2"
ROCK WALL BOARD WITH ROPE HOLE
PG-16-0005
QTY. (1)



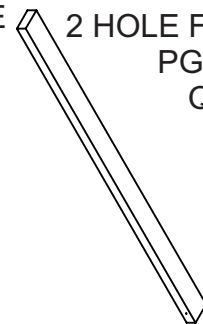
#09
52"
2 HOLE FASCIA BOARD
PG-24-0020
QTY. (8)



#21
27 1/2"
RAIL UPRIGHT
PG-24-0019
QTY. (6)

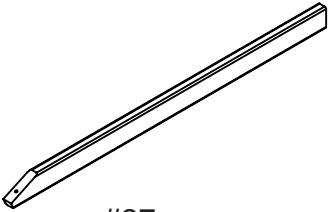


#10
45 1/4"
SHORT SEAT BOARD
PG-24-0027
QTY. (2)

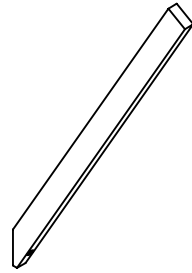


#18
52"
DECK JOIST
PG-24-0030
QTY. (2)

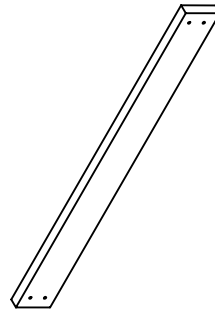
PARTS IDENTIFICATION



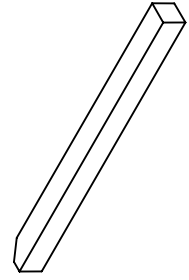
#27
55 3/8"
LADDER SIDE
PG-24-0031
QTY. (2)



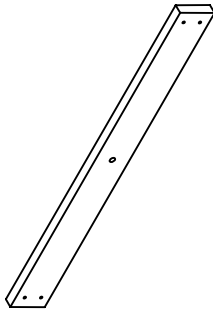
#22
59 3/8"
ROCK WALL SUPPORT
PG-24-0032
QTY. (2)



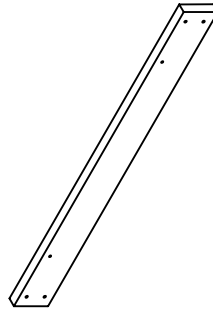
#03
52"
4 HOLE FASCIA BOARDS
PG-26-0014
QTY. (6)



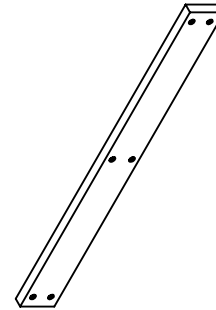
#26
44"
VERTICAL ROOF SUPPORT
PG-44-0028
QTY. (2)



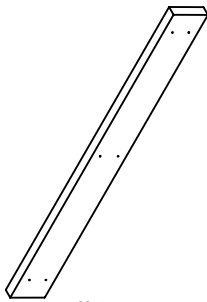
#02
52"
4 HOLE FASCIA BOARD WITH ROPE HOLE
PG-26-0015
QTY. (1)



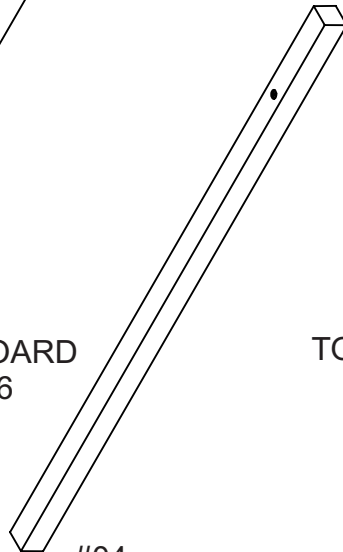
#07
52"
MAIN BEAM
PG-26-0018
QTY. (4)



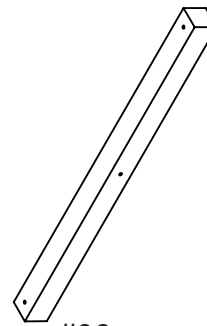
#05
52"
6 HOLE FASCIA BOARDS
PG-26-0017
QTY. (2)



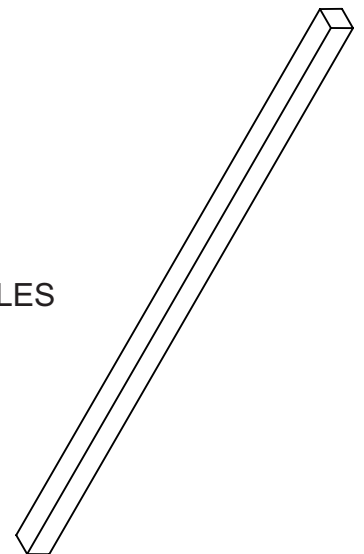
#11
50"
LONG SEAT BOARD
PG-26-0016
QTY. (2)



#04
52"
CORNER UPRIGHT WITH TOP JOIST HOLE
PG-44-0016
QTY. (2)



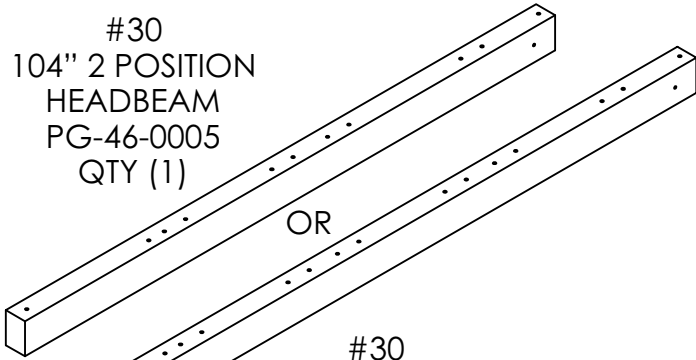
#06
52"
TOP JOIST WITH SWING HOLES
PG-44-0013
QTY. (1)



#01
93"
CORNER UPRIGHT
PG-44-0024
QTY. (2)

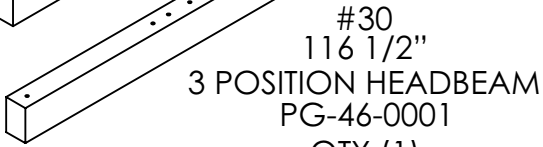
PARTS IDENTIFICATION

#30
104" 2 POSITION
HEADBEAM
PG-46-0005
QTY (1)

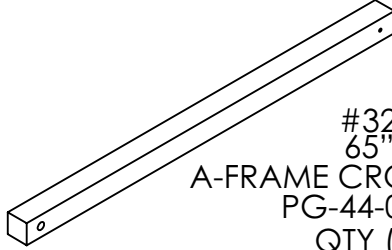


OR

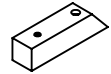
#30
116 1/2"
3 POSITION HEADBEAM
PG-46-0001
QTY (1)



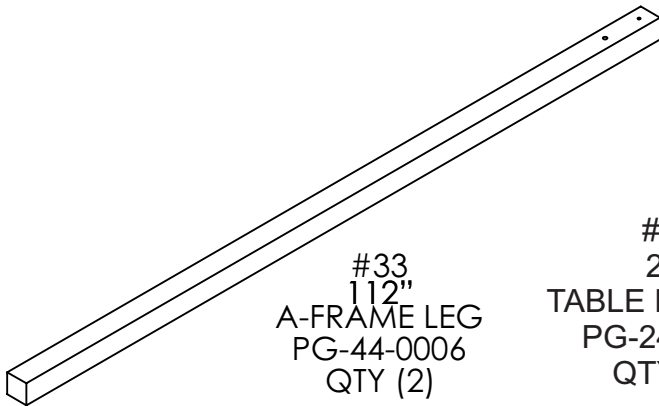
#32
65"
A-FRAME CROSSBRACE
PG-44-0005
QTY (1)



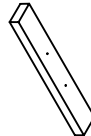
#34
U-Joint Outside
PG-44-0007
QTY (2)



#35
U-JOINT CENTER SPACE BLOCK
PG-44-0008
QTY (1)



#33
112"
A-FRAME LEG
PG-44-0006
QTY (2)



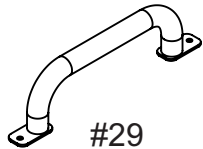
#14
20"
TABLE RUNNER
PG-24-0028
QTY (1)



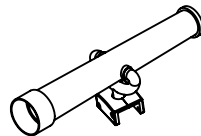
#19
13 3/4"
CORNER FASCIA BOARD
PG-24-0026
QTY (6)



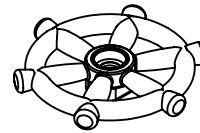
#12
8"
SEAT RUNNER
PG-24-0029
QTY (2)



#29
SMALL HANDLE
PG-AC-0002
QTY. (4)



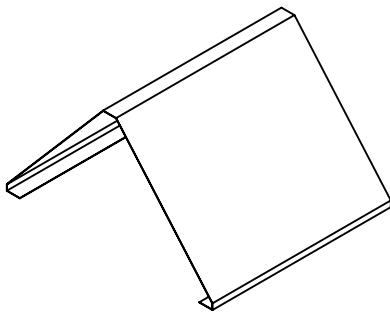
#60
TELESCOPE
PG-AC-0004
QTY. (1)



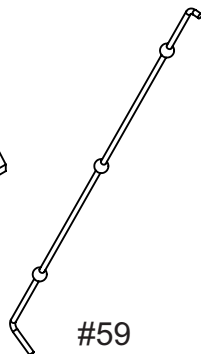
#61
SHIPS WHEEL
PG-AC-0005
QTY. (1)



#42
CLIMBING ROCK
PG-AC-0003
QTY. (14)



#58
CANOPY
PG-AC-0007
QTY. (1)



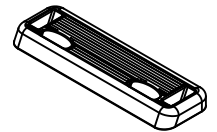
#59
ROPE
PG-AC-0006
QTY. (1)



#72
TRAPEZE SET
PG-AC-0010
(1)

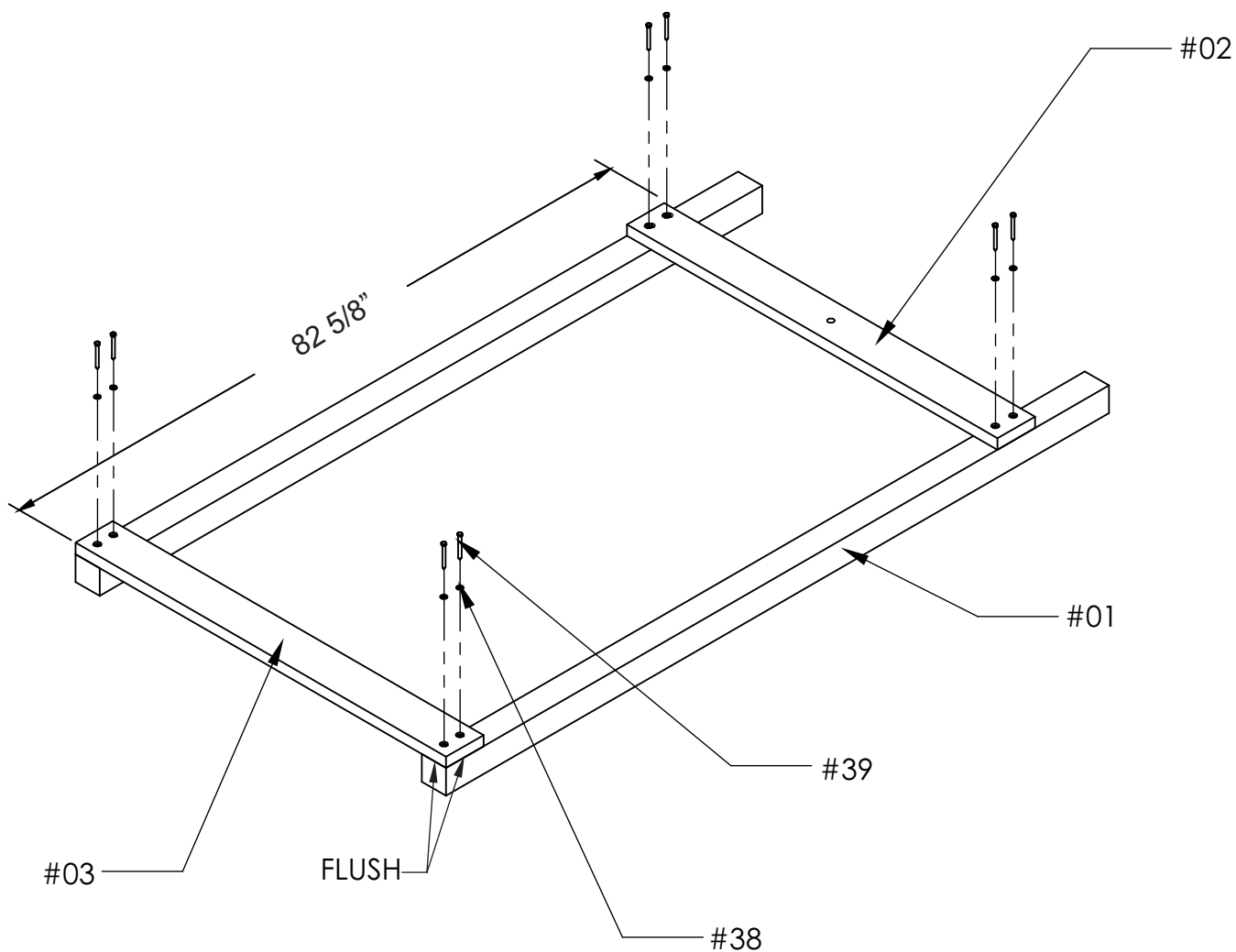


#73
Belt swing green w/chain
PG-AC-0008 (1)
Belt swing Yellow w/chain
PG-AC-0009 (1)



#28
LADDER TREAD
PG-AC-0001
QTY. (4)

CORNER-UPRIGHT-ASSEMBLY "A"



PARTS NEEDED

- #01 93" CORNER UPRIGHT
- #02 52" 4 HOLE FASCIA BOARD WITH ROPE HOLE
- #03 52" 4 HOLE FASCIA BOARD

HARDWARE NEEDED

- (2) #38 5/16" FLAT WASHER (8)
- (1) #39 5/16" X 3" LAG SCREW (8)
- (1)

1. Lay Corner Uprights #01 on the ground and attach 4 Hole Fascia Board #03 flush w/bottom and sides of corner uprights using Lag Bolt #39, and Flat Washer #38.

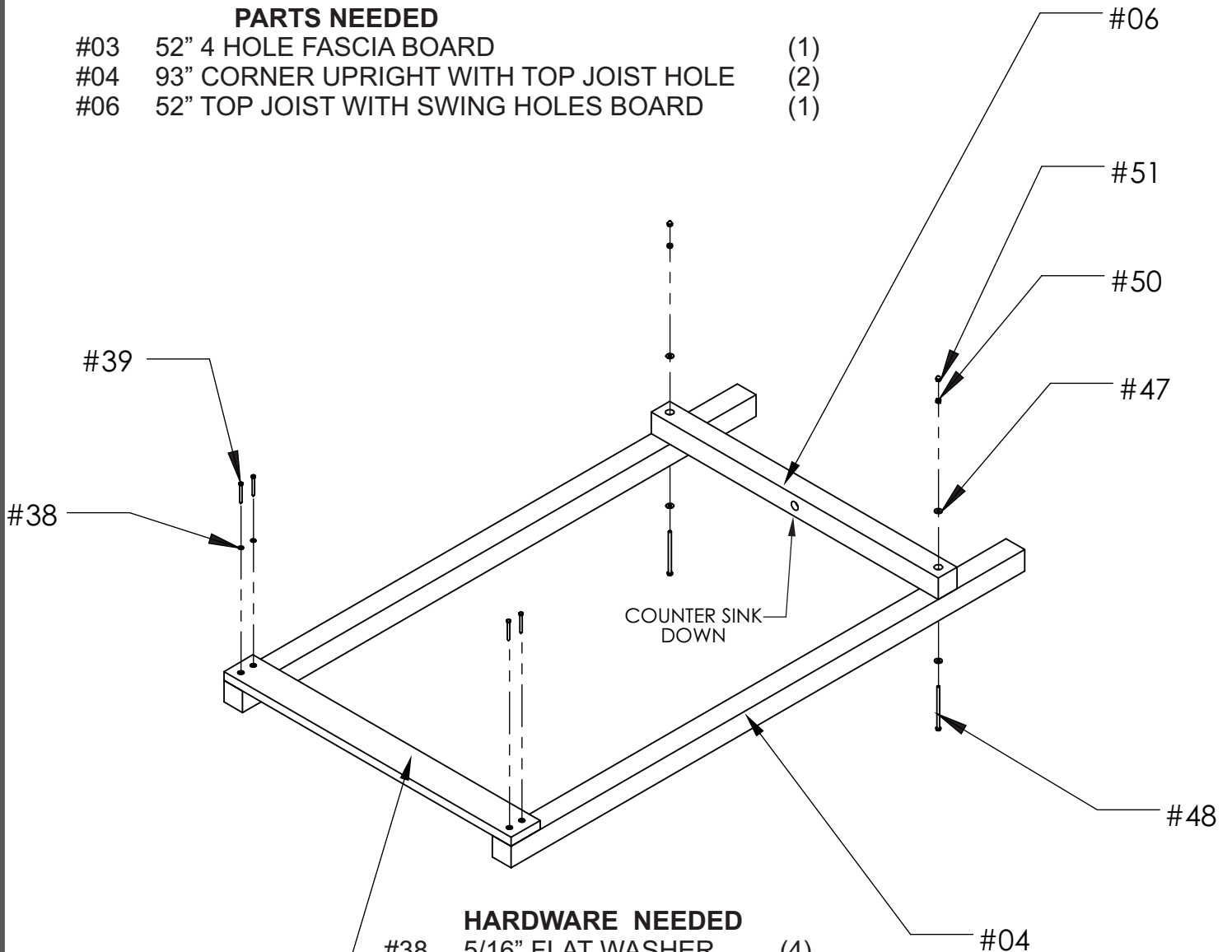
NOTE: Make sure parts are flush and square.

2. From bottom of 4 Hole Fascia Board #03 measure up 82 5/8" and attach 4 Hole Fascia Board W/Rope #02 Hole using Lag Bolt #39 and Flat Washer #38.

CORNER-UPRIGHT-ASSEMBLY "B"

PARTS NEEDED

#03	52" 4 HOLE FASCIA BOARD	(1)
#04	93" CORNER UPRIGHT WITH TOP JOIST HOLE	(2)
#06	52" TOP JOIST WITH SWING HOLES BOARD	(1)



HARDWARE NEEDED

#38	5/16" FLAT WASHER	(4)
#39	5/16" X 3" LAG SCREW	(4)
#47	3/8" FLAT WASHER	(4)
#48	3/8"-16 X 6.5" HEX BOLT	(2)
#50	3/8" NYLON LOCKNUT	(2)
#51	3/8" ACORN NUT	(2)

1. Lay Corner Uprights #04 on the ground and attach 4 Hole Fascia Board #03 flush w/bottom and sides of Corner Uprights #04 using Lag Bolt #39 and Flat Washer #38.

Note: Make sure parts are flush and square.

2. From bottom of 4 Hole Fascia Board #03 measure up 80 3/4" and attach Top Joist W/Swing Holes Board #06 using Bolt #48, Flat Washer #47, Hex Nut #50, and Acorn Nut #51.

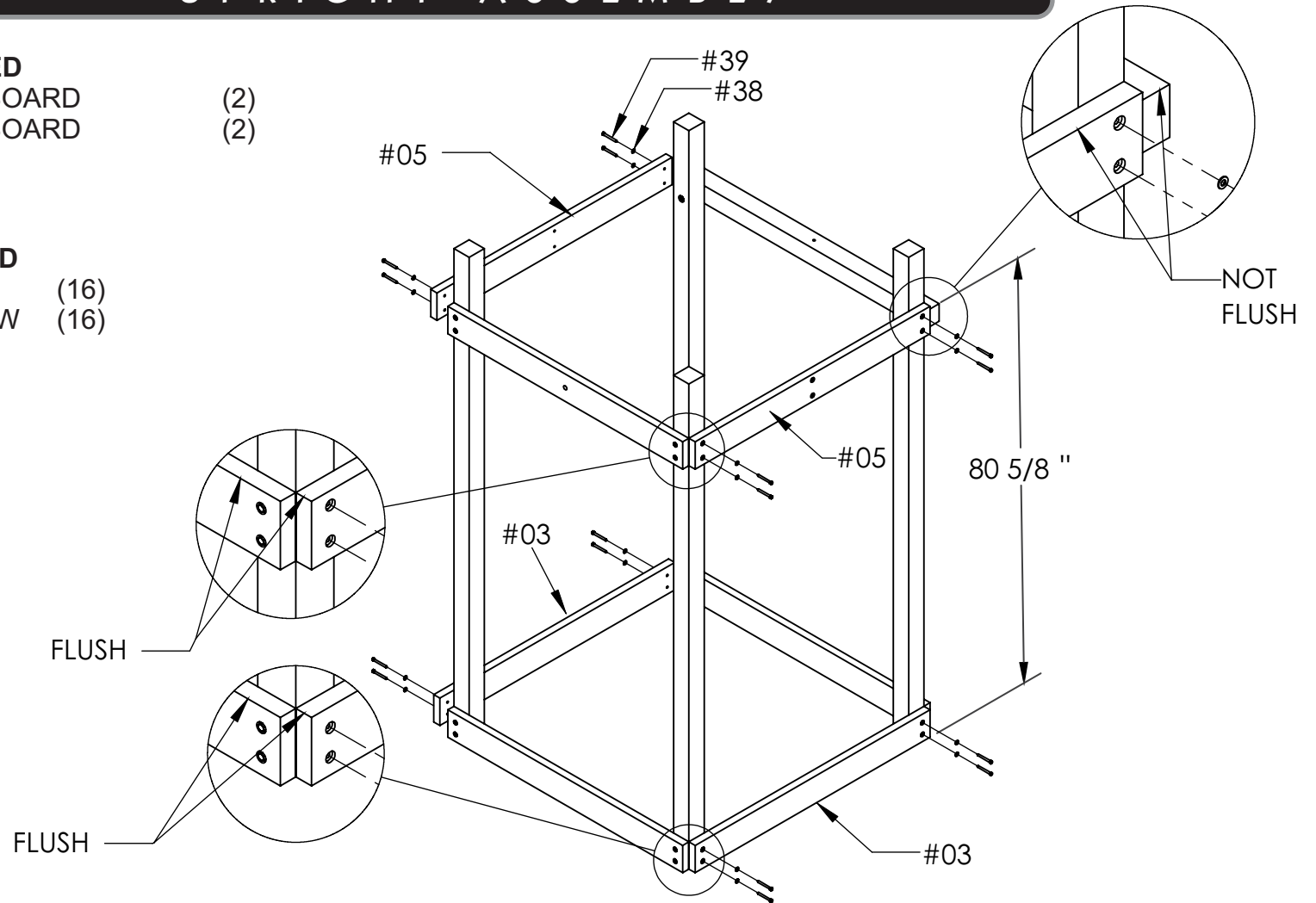
U P R I G H T - A S S E M B L Y

PARTS NEEDED

#03	52" 4 HOLE FASCIA BOARD	(2)
#05	52" 6 HOLE FASCIA BOARD	(2)

HARDWARE NEEDED

#38	5/16" FLAT WASHER	(16)
#39	5/16" X 3" LAG SCREW	(16)

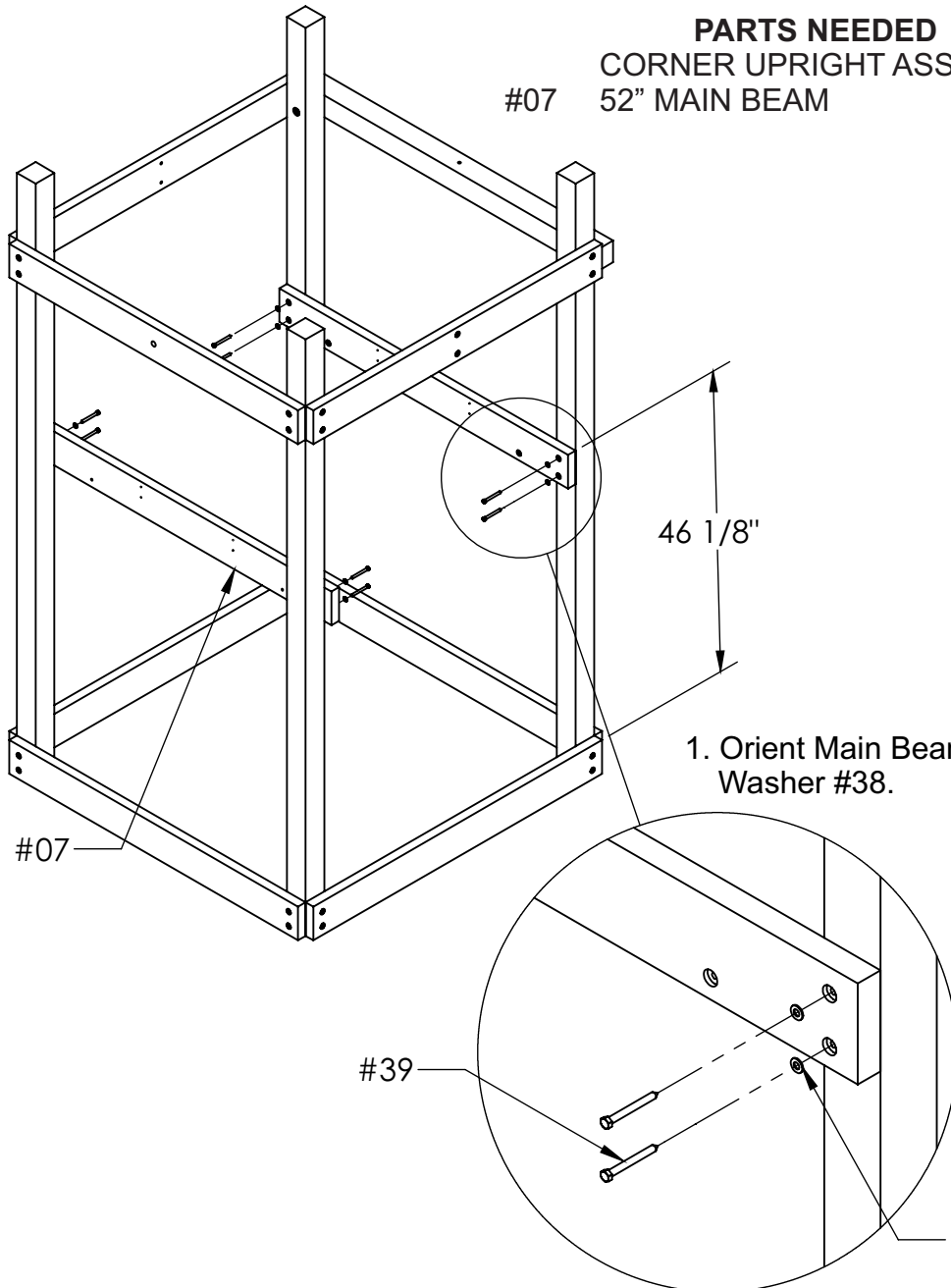


1. Stand up each Assembly from steps 1, and 2 and attach 4 Hole Fascia Board #03 and 6 Hole Fascia Boards #05 to Corner Uprights using Lag Bolt #39, and Flat Washer #38.
2. Bottoms of 6 Hole Fascia Boards #05 should be flush with the bottoms of 4 Hole Fascia Board w/Rope Hole #02. As shown.
3. 4 Hole Fascia Boards #03 must be flush w/Bottoms of and Sides of Corner Uprights and they must be oriented as shown.
4. Check that assembly is square w/carpenters square .
5. Tighten all hardware.

MAIN-BEAM-INSTALLATION

PARTS NEEDED
CORNER UPRIGHT ASSEMBLY (1)
#07 52" MAIN BEAM (2)

HARDWARE NEEDED
#38 5/16" FLAT WASHER (8)
#39 5/16" X 3" LAG SCREW (8)



1. Orient Main Beams #07 and attach to Corner Uprights using Lag Bolts #39, and Flat Washer #38.

**OFFSET COUNTERSUNK HOLES IN MAIN BEAM
TOWARD BOTTOM (AS SHOWN)**

PICNIC - TABLE - ASSEMBLY

PARTS NEEDED

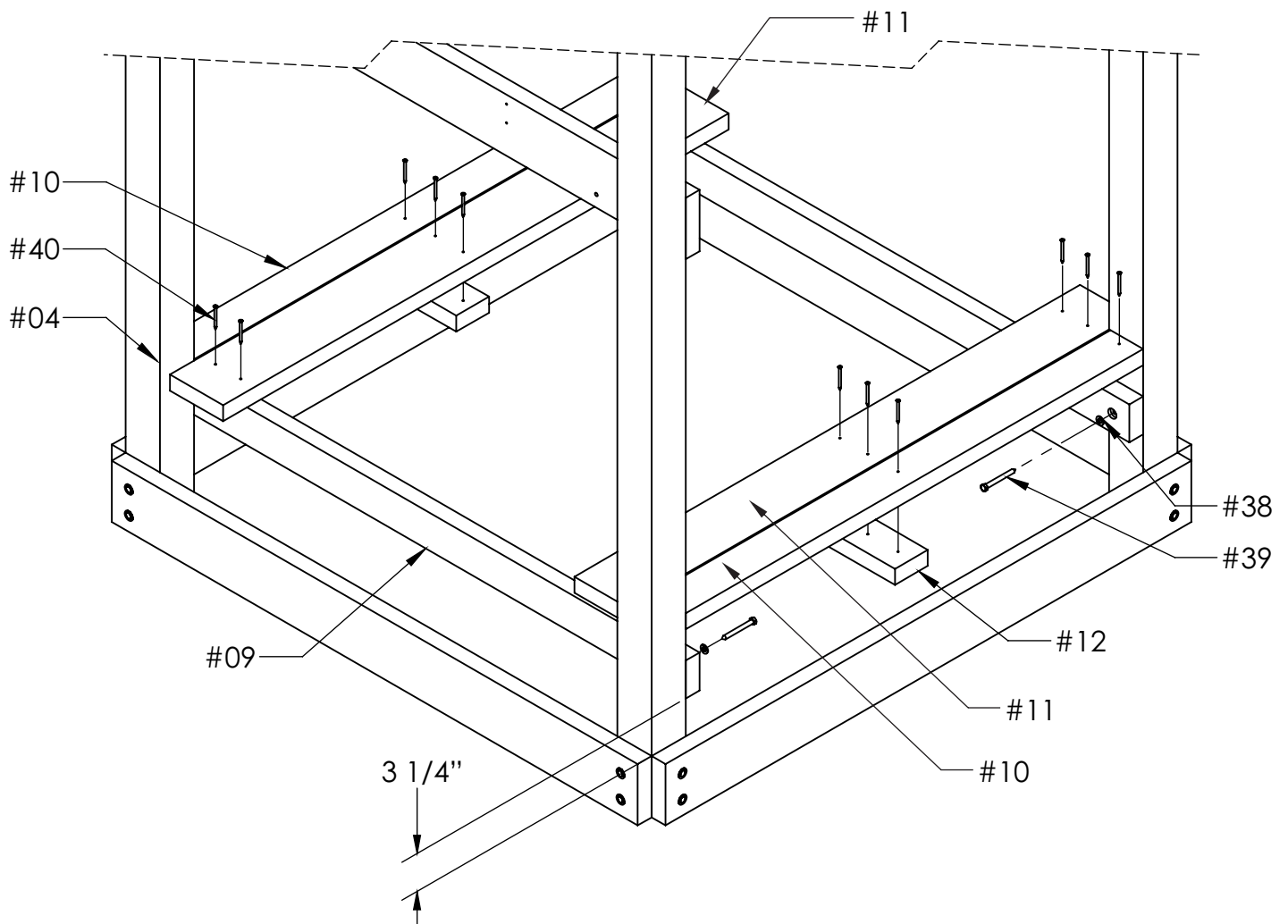
#09	52" 2 HOLE FASCIA BOARD	(2)
#10	45 1/4" SHORT SEAT BOARD	(2)
#11	50" LONG SEAT BOARD	(2)
#12	8" SEAT RUNNER	(2)

HARDWARE NEEDED

#38	5/16" FLAT WASHER	(4)
#39	5/16" X 3" LAG SCREW	(4)
#40	#8 X 2" FLAT HEAD WOOD SCREW	(18)



IF YOU ARE INSTALLING THE OPTIONAL **PICNIC TABLE** CONTINUE WITH THIS STEP. IF THE PICNIC TABLE WILL NOT BE INSTALLED GO TO **PAGE 18** TO CONTINUE WITH PLAYSET ASSEMBLY.



1. Attach 2 Hole Fascia Boards #09 to inside of Corner Uprights #01, and # 04 using Lag Screw #39, and Flat Washer #38.
2. Center and attach Seat Boards #10, and #11 to 2 Hole Fascia Boards #09 using Phillips Flat Head Woodscrew #40.
3. Center and attach Seat Runners #12 to the under side of Seat Boards #10, and #11 using Phillips Flat Head Woodscrew #40.

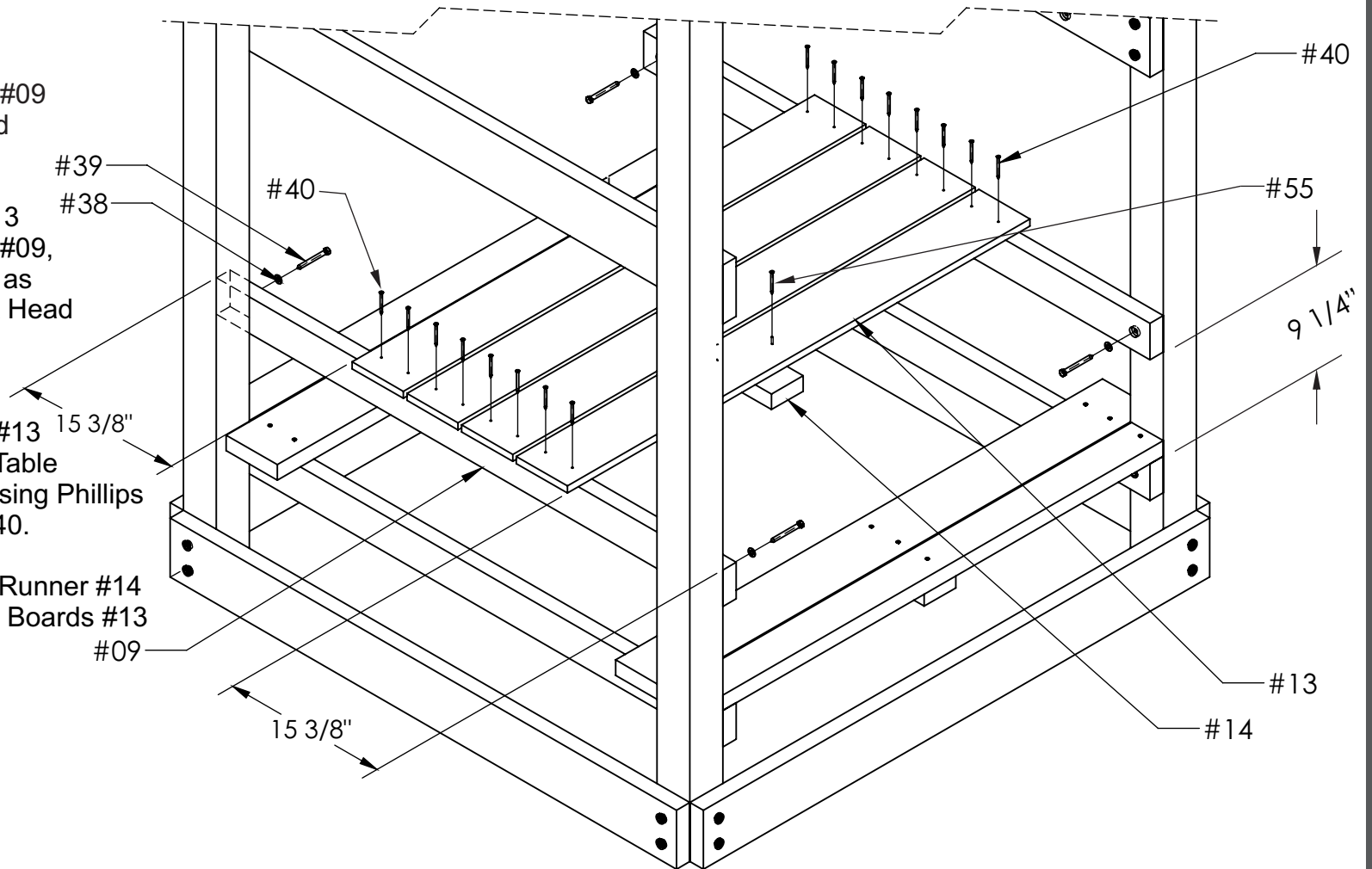
PICNIC-TABLE-ASSEMBLY " B "

1. Attach 2 Hole Fascia Boards #09 to inside of Corner Uprights #01 and #04, 9 1/4" from top of 2 Hole Fascia Boards #09 using Lag Screw #39 and Flat Washer #38.

2. Attach 2 Table Boards #13 to 2 Hole Fascia Boards #09, 15 3/8" from of each side as shown using Phillips Flat Head Woodscrew #40.

3. Evenly space the remaining Table Boards #13 between the 2 attached Table Boards #13 and attach using Phillips Flat Head Woodscrew #40.

4. Center and attach Table Runner #14 to the underside of Table Boards #13 using Phillips Flat Head Woodscrew #55.



PARTS NEEDED

#09	52" 2 HOLE FASCIA BOARD	(2)
#13	47 1/2" TABLE BOARD	(4)
#14	20" TABLE RUNNER	(1)

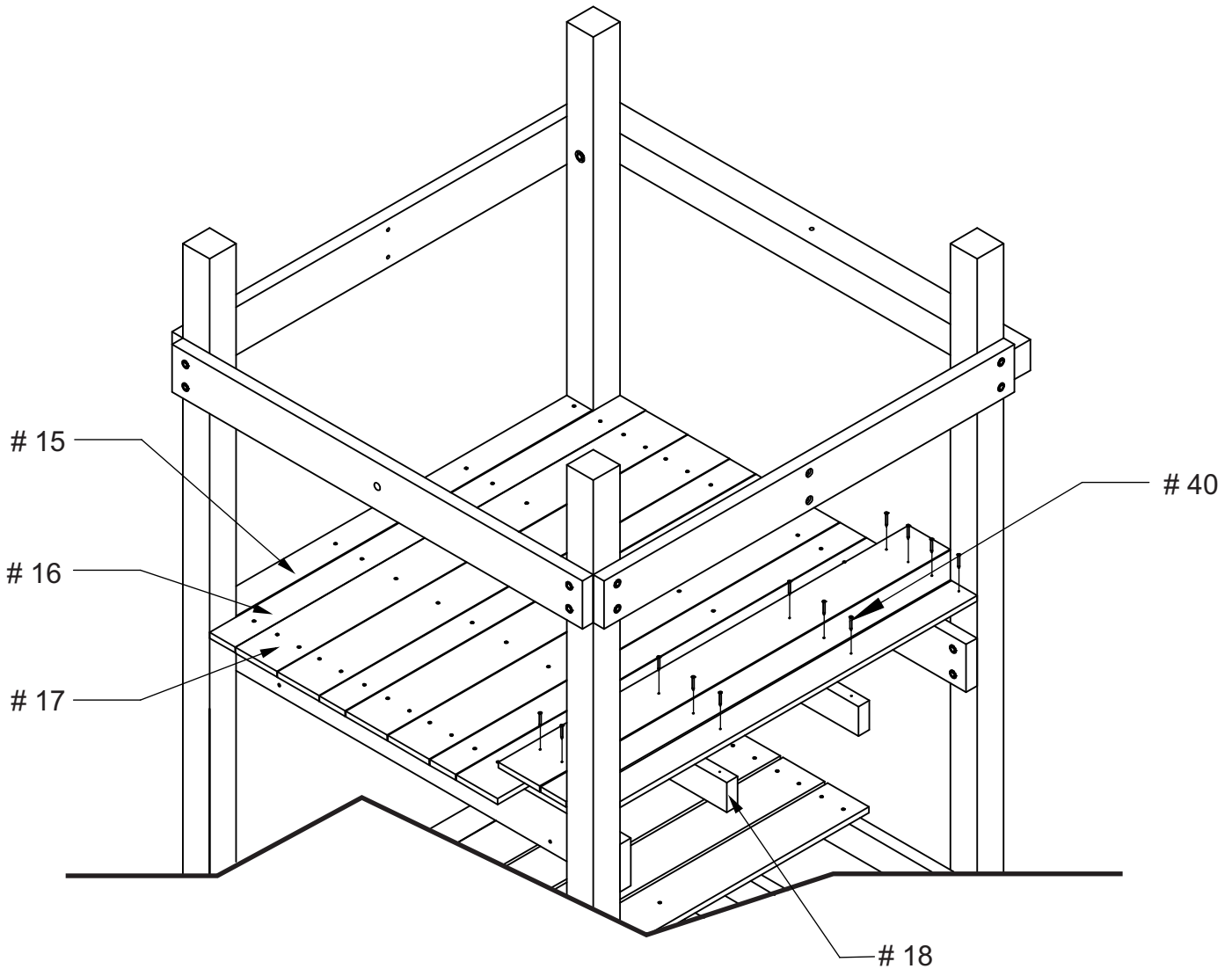
HARDWARE NEEDED

#38	5/16" FLAT WASHER	(4)
#39	5/16" X 3" LAG SCREW	(4)
#40	#8 X 2" FLAT HEAD WOOD SCREW	(16)
#55	#8 X 1.5" FLAT HEAD WOOD SCREW	(4)

DECK-ASSEMBLY

PARTS NEEDED

#15	45 1/4" SHORT DECK BOARD	(2)
#16	52" THIN DECK BOARD	(4)
#17	52" WIDE DECK BOARD	(6)
#18	52" DECK JOIST	(2)



HARDWARE NEEDED

#40	#8 X 2" FLAT HEAD WOOD SCREW	(60)
-----	------------------------------	------

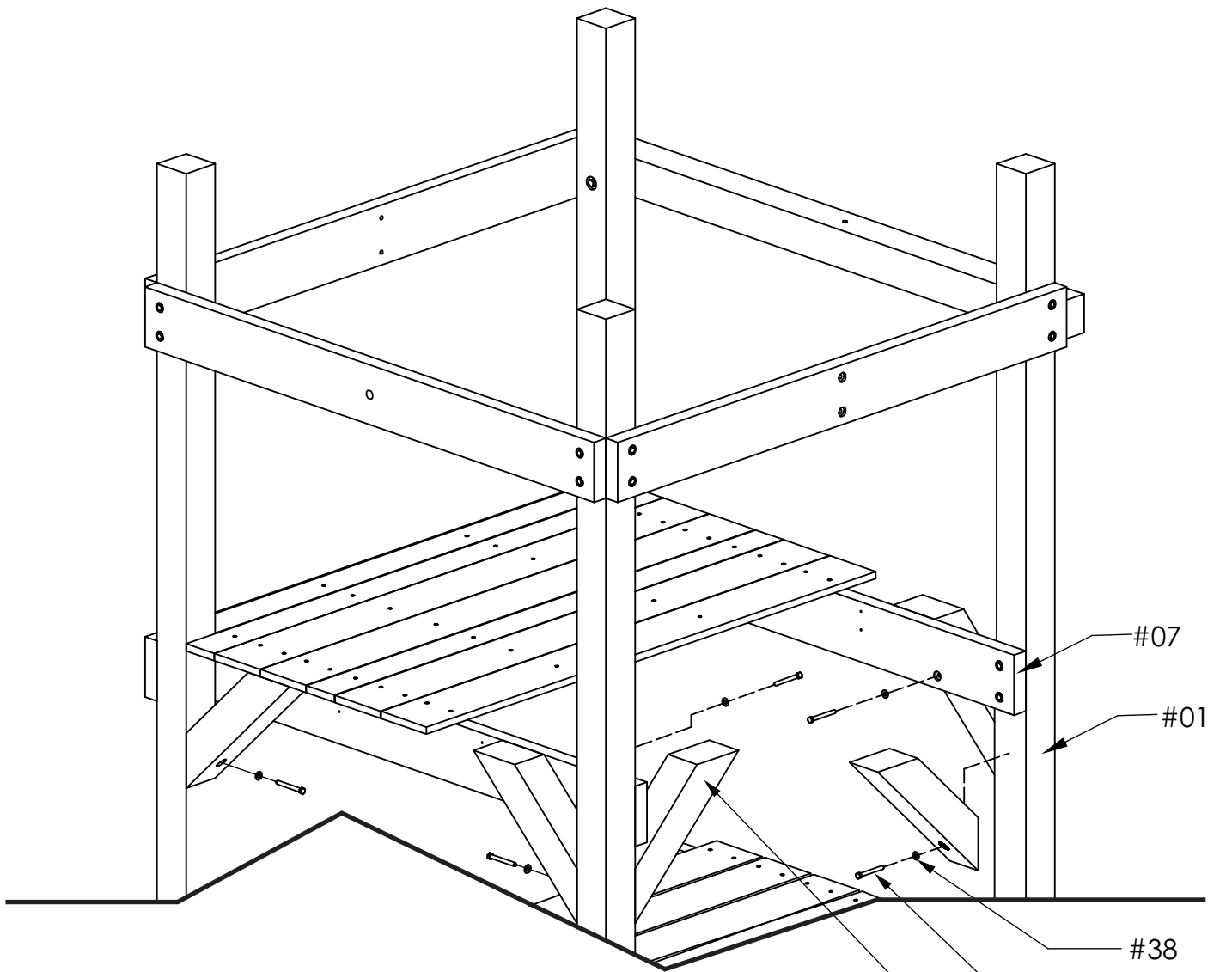
1. Center and evenly space Deck Boards #16, and #17 between Corner Uprights #01, and #04 and attach Deck Boards #16, and #17 to Main Beams #07 using Phillips Flat Head Woodscrews #40.

NOTE: Deck Boards must be evenly spaced.

2. Center and attach Deck Joist #18 to the underside of Deck Boards #16, and #17 using Phillips Flat Head Woodscrew #40.

ANGLED-BRACE-INSTALLATION

PARTS NEEDED #08 ANGLED BRACE (8)



DECK BOARDS NOT SHOWN FOR CLARITY

HARDWARE NEEDED

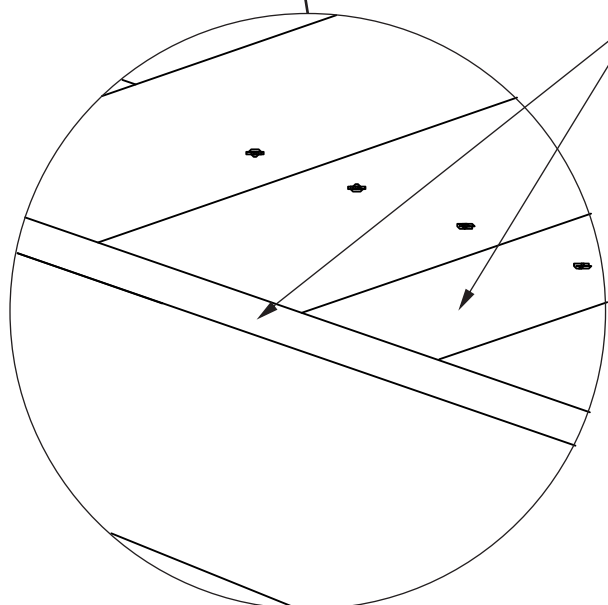
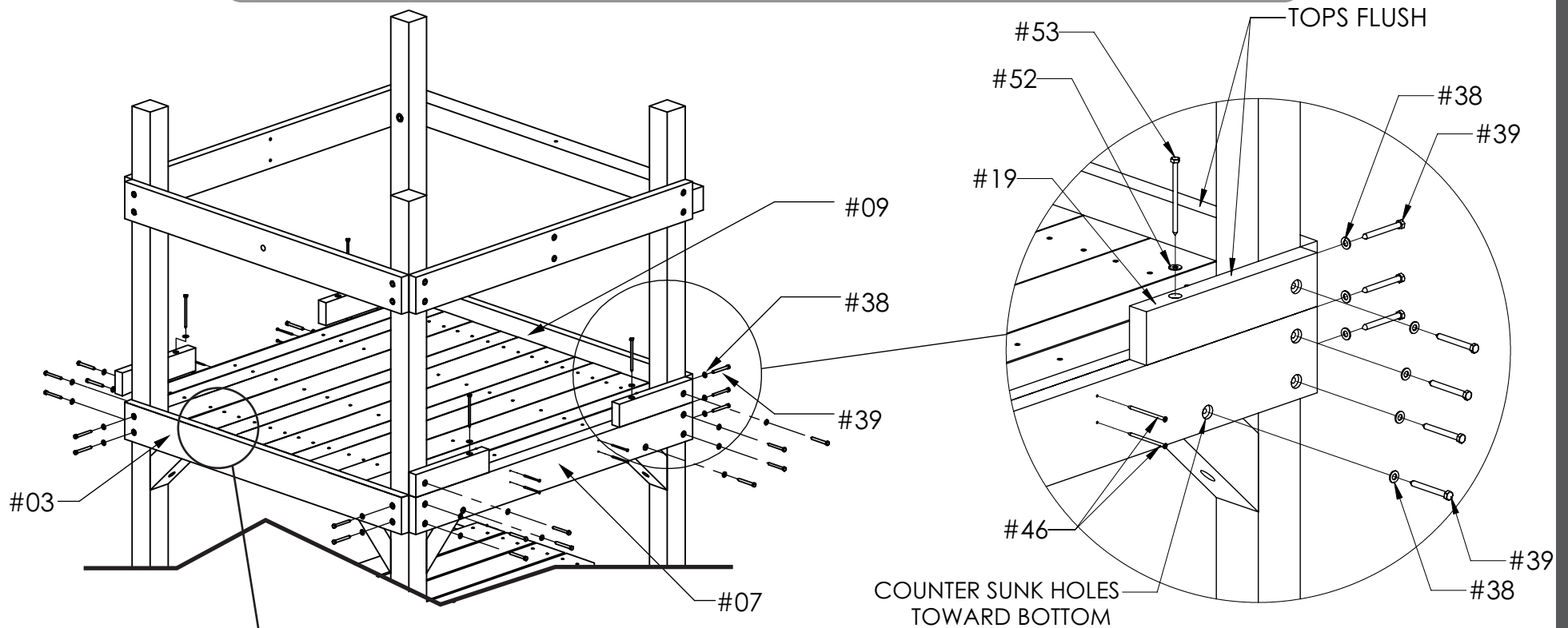
#38	5/16" FLAT WASHER	(12)
#39	5/16" X 3" LAG SCREW	(12)

1. Attach Angled Braces #08 to Corner Uprights #01, and 04 using Lag Screw #39, and Flat Washer #38.

NOTE: Tops of Angled Braces should be touching the bottom of the Deck Boards

2. Attach Angled Braces #08 to Main Beams #07 using Lag Screw #39, and Flat Washer #38 .

FASCIA-BOARD-INSTALLATION



FLUSH

PARTS NEEDED			
#03	52" 4 HOLE FASCIA BOARD	(2)	
#07	52" MAIN BEAM	(2)	
#09	52" 2 HOLE FASCIA BOARD	(1)	
#19	13 3/4" CORNER FASCIA BOARD	(4)	

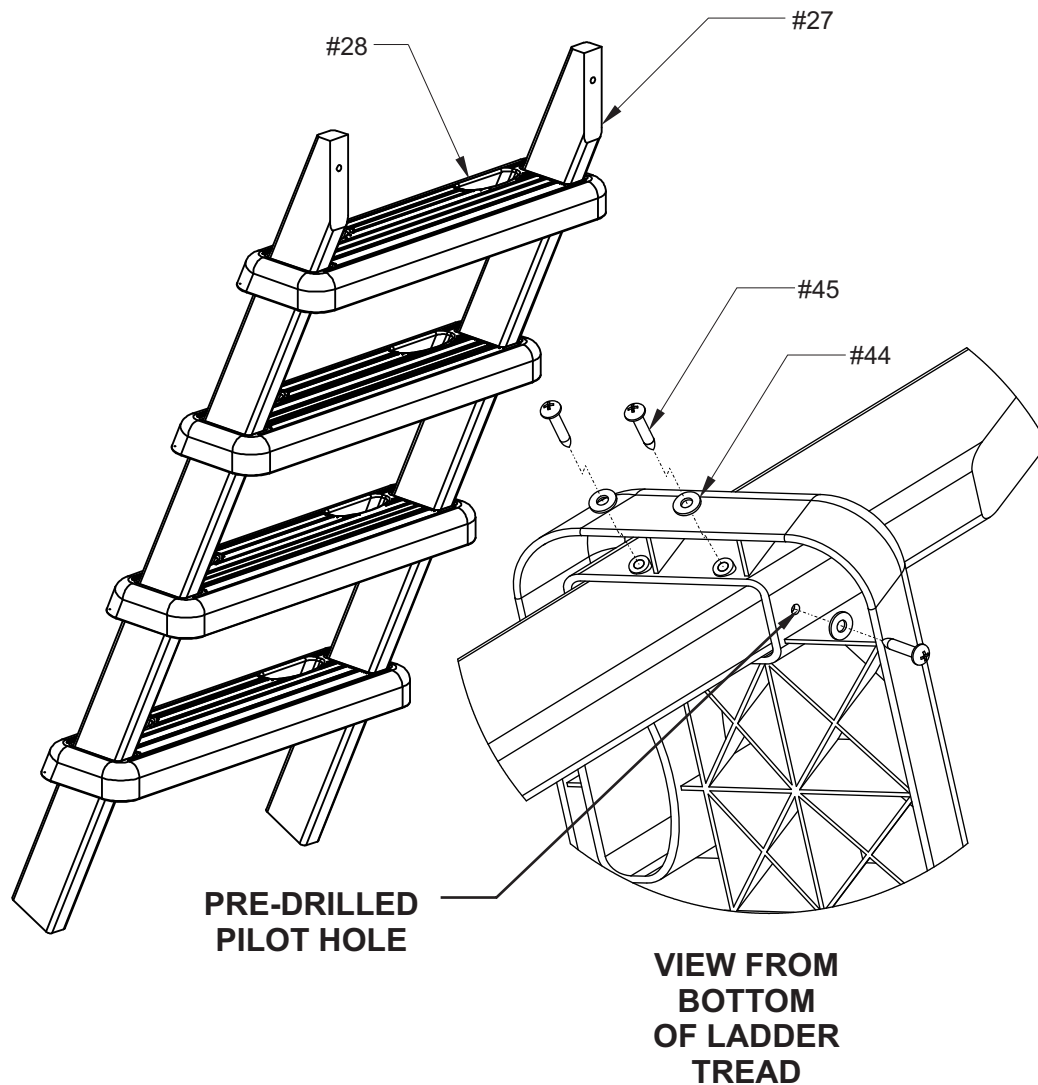
HARDWARE NEEDED			
#38	5/16" FLAT WASHER	(27)	
#39	5/16" X 3" LAG SCREW	(27)	
#46	#8 X 3" FLAT HEAD WOODSCREW	(8)	
#52	1/4" FLAT WASHER	(4)	
#53	1/4" X 4.5" LAG SCREW	(4)	

1. Attach 4 Hole Fascia Board #03 and Main Beam #07 to Corner Uprights #01, and #04 using Flat Washer #38 Hex Lag Screw #39. Tops of the Fascia Boards #02, and #09 and Main Beam Boards should be flush with the tops of Deck Boards #16, and #17.

***Note: Main Beams must be oriented with the offset counter-sunk toward bottom.**

- Secure Deck Joist #18 to Main Beam #07 using wood screw #46
- Attach Main Beams #07 to Angled Braces #08 using Flat Washer #38, Lag Screw #39, and Flat Head Woodscrew #46.
- Attach Corner Fascia Board #19 to Corner Uprights #01, and #04 using Flat Washer #38, and Hex Lag Screw #39. Corner Fascia Boards #19 should rest on top of 4 Hole Fascia Boards #02, and #03, and Main Beams #07 attached with Flat Washer #52, and Hex Lag Screw #53.
- Attach 2 Hole Fascia Board #09 to Corner Uprights #01, and #04 using Flat Washer #38, and Lag Screw #39.

LADDER-ASSEMBLY



PARTS NEEDED

#27 55 3/8" LADDER SIDES (2)
 #28 LADDER TREADS (4)

HARDWARE NEEDED

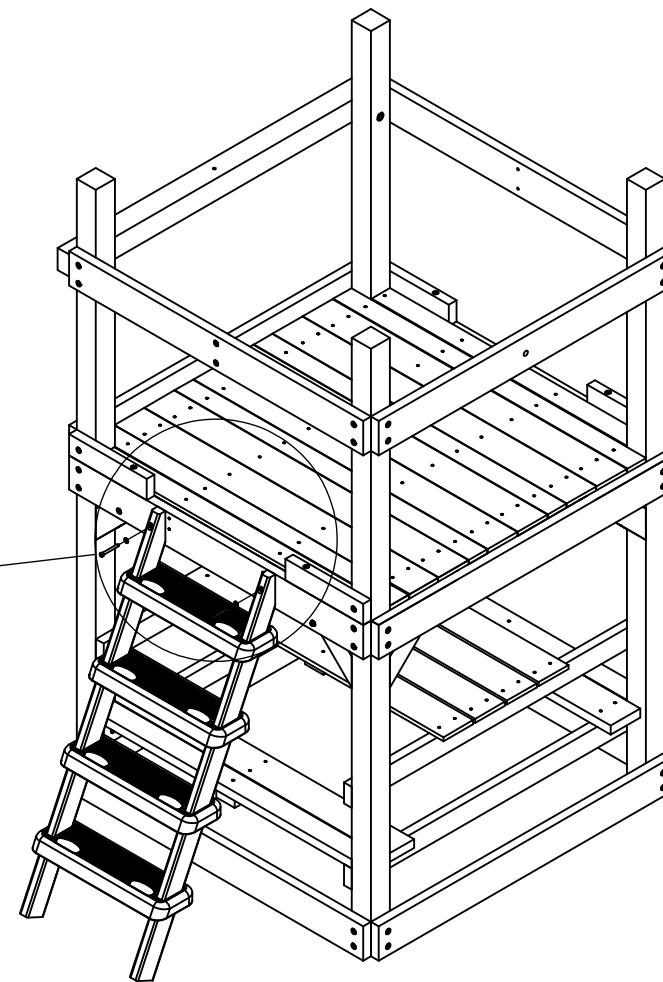
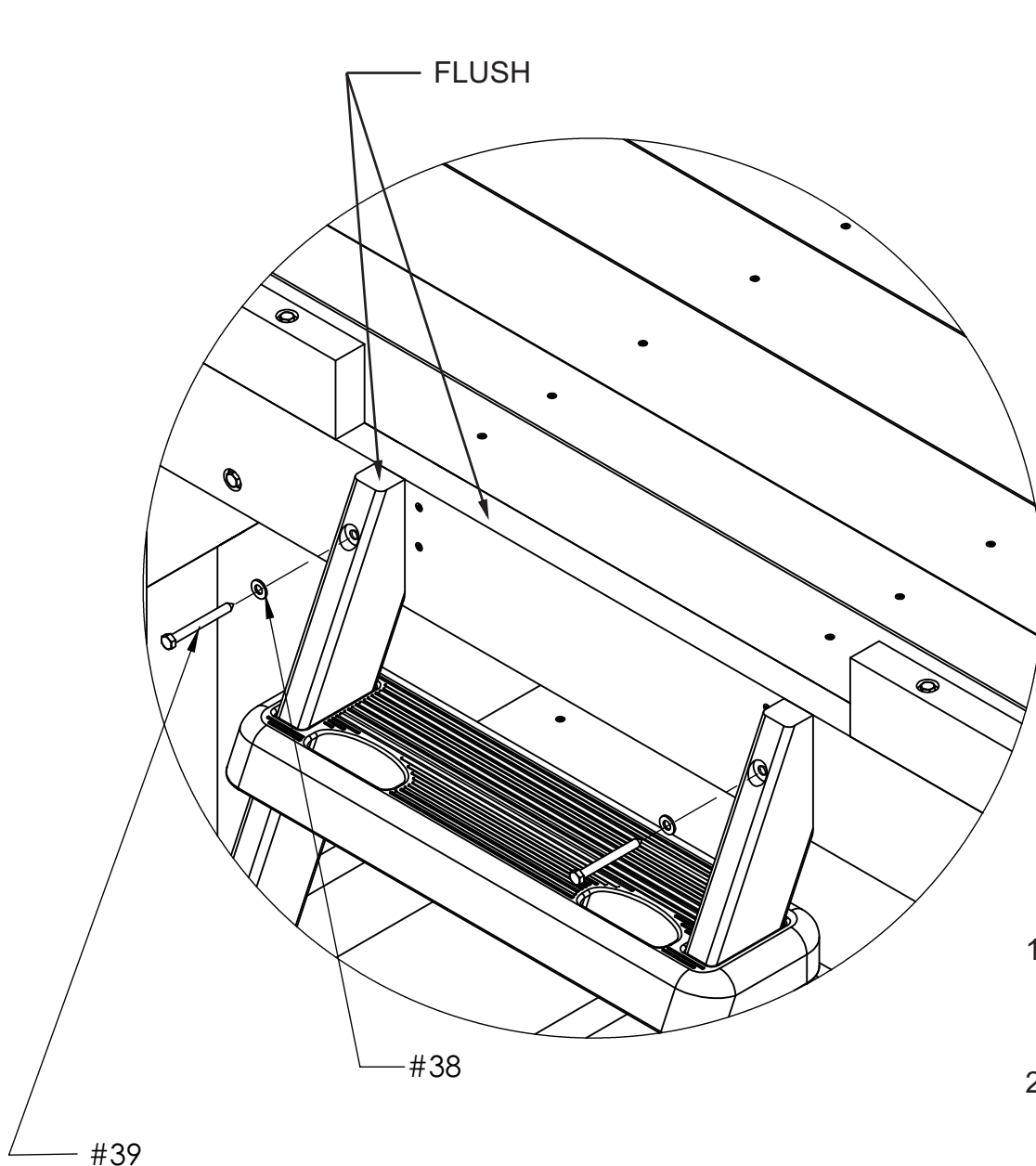
#44 #10 FLAT WASHER (24)
 #45 #10 X 1" ROUND HEAD SCREW (24)

1. Lay Ladder Sides #27 on a flat surface with angled cut facing down.
2. Slide Ladder Treads #28 over end of Ladder Sides #27 orienting handle holds in Ladder Tread #28 to the front of the Ladder sides #27.
3. Align Hole in front of Ladder Tread #28 with pre-drilled pilot holes in front of Ladder Sides #27 and attach using Flat Washer #44, and Round Head Screw #45.

ATTACH ALL LADDER TREADS #28 AT THIS TIME USING ONLY THE PRE-DRILLED PILOT HOLES

4. After aligning and attaching Ladder Tread #28 with pre-drilled pilot holes go back and finish attaching Ladder Tread #28 on each side using Flat Washer #44, and Round Head Screw #45.

LADDER-ASSEMBLY-INSTALLATION



1. Position Ladder Assembly against Main Beam #07, Ladder Assembly should be centered horizontally on Main Beam #07.
2. Tops of Ladder Sides #27 should be flush with top of Main Beam #07.
3. Attach Ladder Assembly using Flat Washer #38, and Lag Screw #39.

PARTS NEEDED
LADDER ASSEMBLY

(1) #38
#39

HARDWARE NEEDED

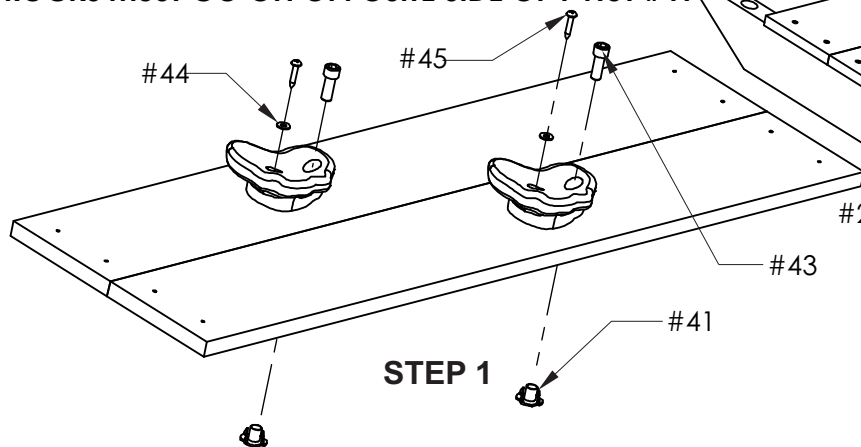
5/16" FLAT WASHER (2)
5/16" X 3" LAG SCREW (2)



ROCK-WALL-ASSEMBLY

IF YOU ARE INSTALLING THE OPTIONAL **ROCK WALL** CONTINUE WITH **PAGES 23-25**. IF NOT INSTALLING A ROCK WALL GO TO **PAGE 26** TO CONTINUE WITH PLAYSET ASSEMBLY.

ROCKS MUST GO ON OPPOSITE SIDE OF T-NUT #41



STEP 1

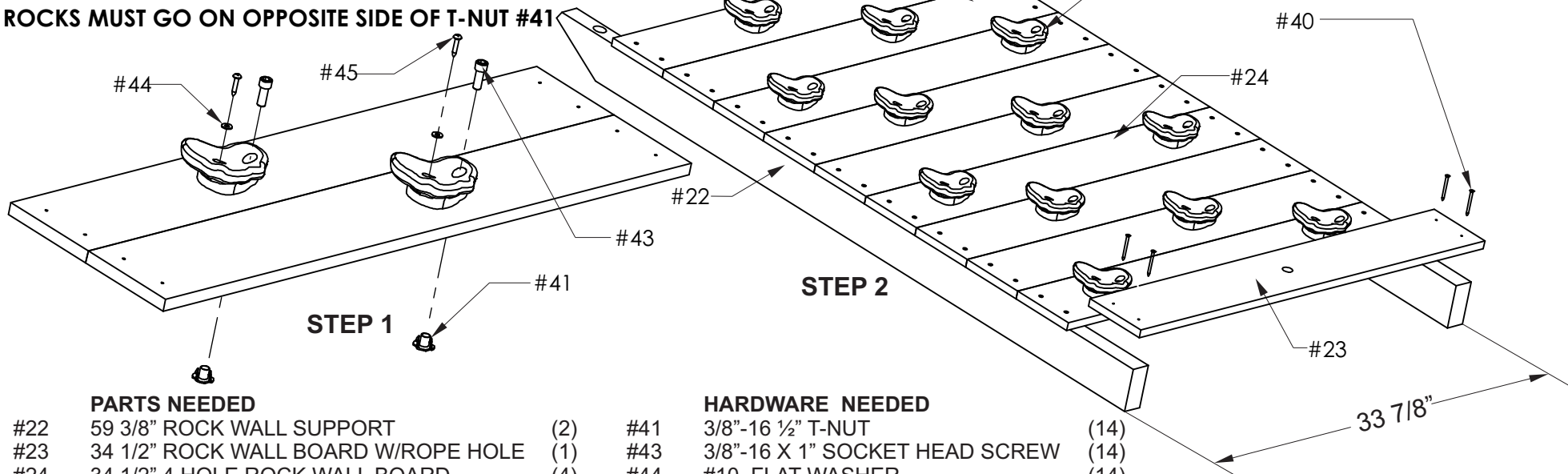
PARTS NEEDED	
#22	59 3/8" ROCK WALL SUPPORT (2)
#23	34 1/2" ROCK WALL BOARD W/ROPE HOLE (1)
#24	34 1/2" 4 HOLE ROCK WALL BOARD (4)
#25	34 1/2" 2 HOLE ROCK WALL BOARD (6)
#42	CLIMBING ROCK (14)

HARDWARE NEEDED	
#41	3/8"-16 1/2" T-NUT (14)
#43	3/8"-16 X 1" SOCKET HEAD SCREW (14)
#44	#10 FLAT WASHER (14)
#45	#10 X 1" ROUND HEAD SCREW (14)
#40	#8 X 2" FLAT HEAD SCREW (40)

Step 1

1. Lay 2 Hole Rock Wall Board #25, and 4 Hole Rock Wall Board #24 on a flat surface using a hammer pound in T-Nut #41 into pre drilled holes on back side of boards.

2. Attach Climbing Rock #42 to front side of 2 Hole Rock Wall Board #25, and 4 Hole Rock Wall Board #24 using Socket Head Screw #43, Round Head Screw #45, and Flat Washer #44.



STEP 2

Step 2

3. On a flat surface, lay Rockwall Supports #22 on edge with hole up, ends must be flush. Rockwall Supports #22 should be positioned so they measure 33 7/8" apart from outside face to outside face.

4. Center and attach 2 Hole Rock Wall Board #25 to Rock Wall Supports #22, 5 7/8" down from the top of the Rock Wall Supports #22 using Phillips Head Flat Head Woodscrew #40.

NOTE: There should be a 5/16" overhang on both sides of board.

5. Position the remaining Rock Wall Boards #24, and #25 along the Rock Wall Supports #22 in the order shown. Positioned Rock Wall Boards should be tight against each other and should not have gaps between boards.

7. Secure each Rock Wall Board using (4) Wood Screws #40 per board. Make sure the Assembly remains square and the Rock Wall supports remain 33 7/8" apart.

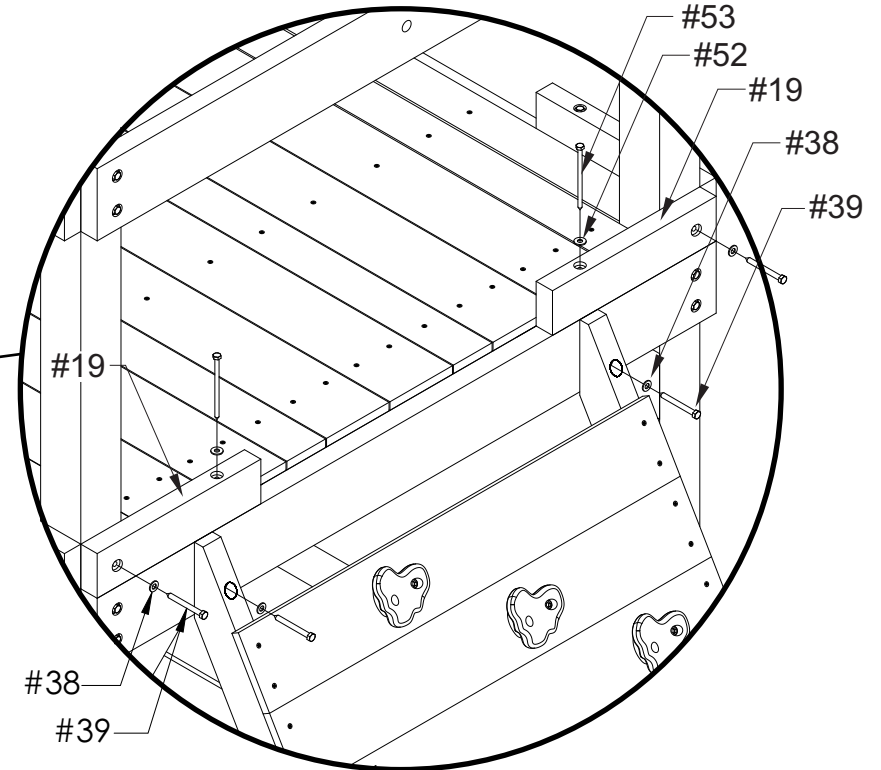
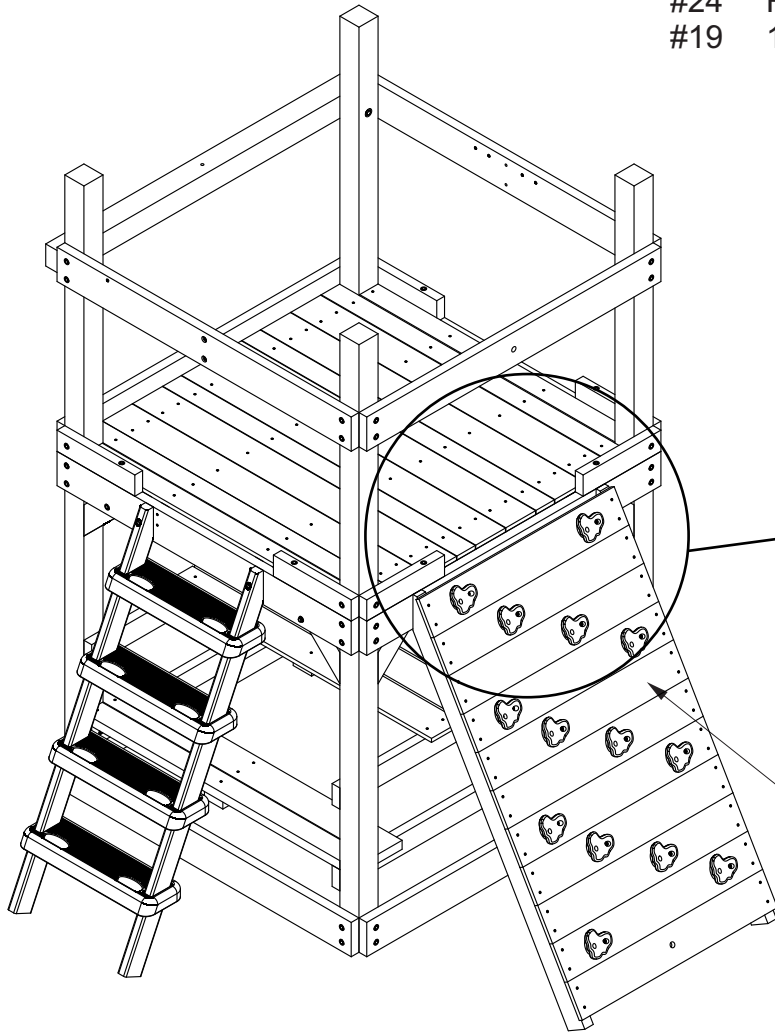
ROCK-WALL-INSTALLATION

PARTS NEEDED

	ROCK WALL ASSEMBLY	(1)
#24	ROCK WALL BOARD	(1)
#19	13 3/4" CORNER BOARD	(2)

HARDWARE NEEDED

#38	5/16" FLAT WASHER	(4)
#39	5/16" X 3" LAG SCREW	(4)
#40	#8X2" FLAT HEAD SCREW	(4)
#52	1/4" FLAT WASHER	(2)
#53	1/4"X 4.5" LAG SCREW	(2)



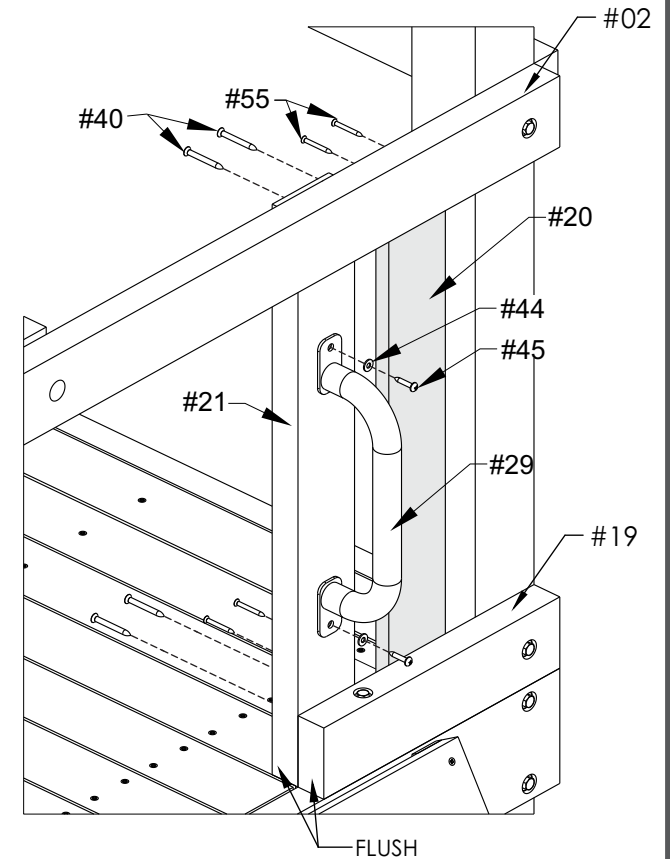
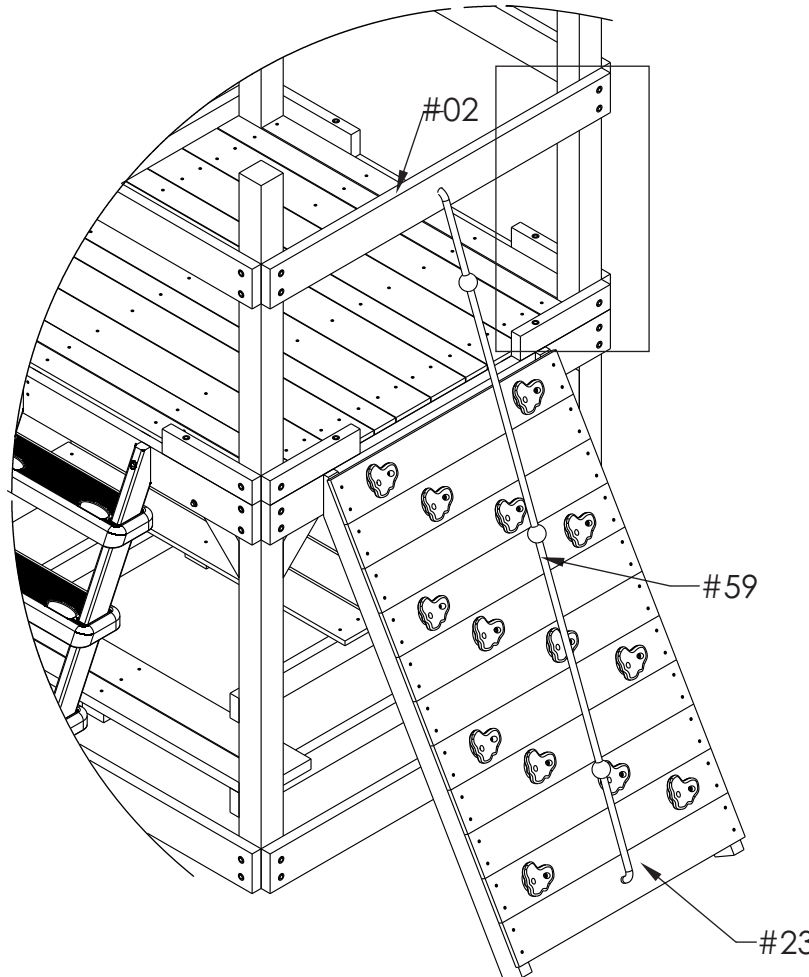
#24

1. Center assembled Rock Wall against 4 Hole Fascia #03. The top edge of Rock Wall Supports #22 should be flush with top edge of 4 Hole Fascia #03.
2. Using Lag Screw #39, and Flat Washer #38 attach Rockwall to 4 Hole Fascia #03.
3. Attach the remaining Rock Wall Board #24 to the Rock Wall Supports using Phillips Head Flat Head Woodscrew #40 .
4. Attach Corner Fascia Boards #19 using Flat Washer #38, Lag Screw #39, Flat Washer #52. and Lag Screw #53.

ROPE INSTALLATION

PARTS NEEDED
#59 ROPE (1)

WARNING: TO PREVENT THE RISK OF STRANGULATION ROPE MUST BE SECURED AT BOTH ENDS. ROPE MUST BE TIGHT ENOUGH THAT IT CANNOT BE LOOPED BACK ON ITSELF.



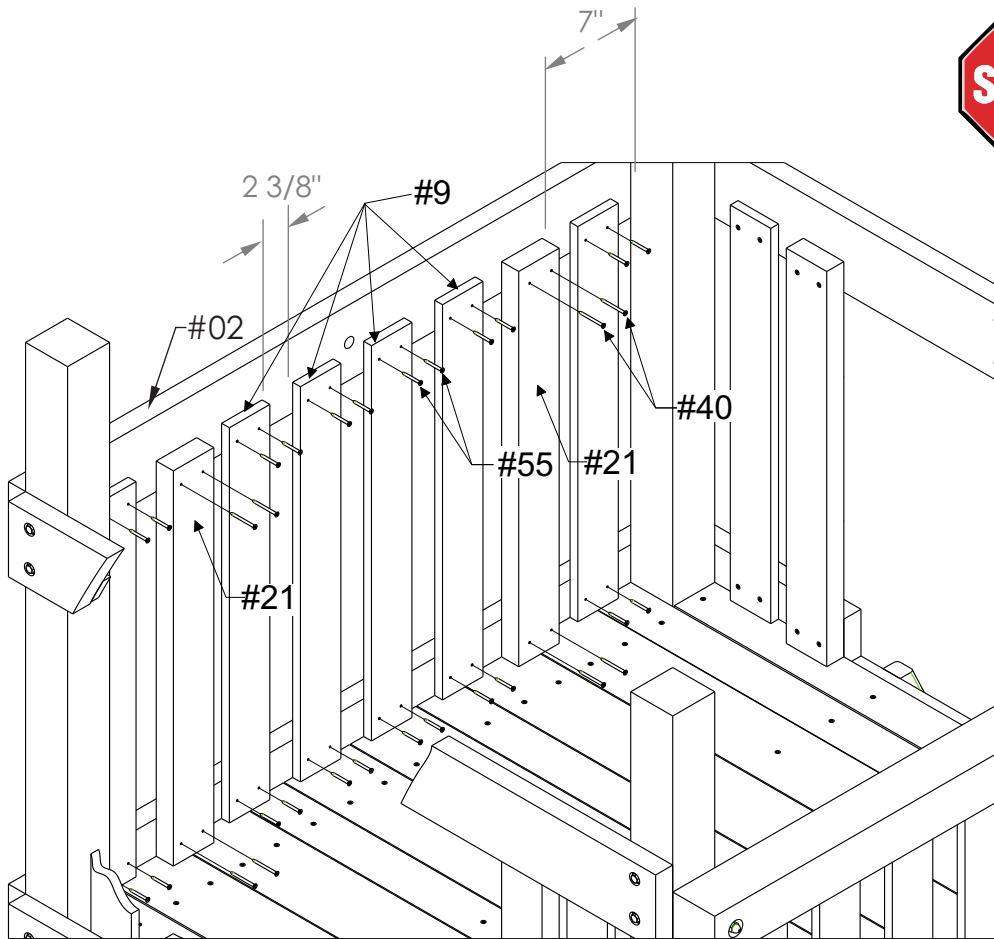
1. Insert Rope #59 into hole in 4 Hole Fascia with Rope Hole #02 and tie a double knot on the back side of 4 Hole Fascia with Rope Hole #02.
2. Tie three single knots evenly along the remaining Rope #59.
3. Insert end of Rope #59 into hole in Rock Wall Board with Rope Hole #23 and tie a double knot on the back side of Rock Wall Board with Rope Hole #23.
4. Attach Panel Divider #21 to parts #19 and #02 using Screws #40 as shown. Make sure part #21 is flush with part #19.
5. Center Panel Slat #20 evenly between parts #21 and Corner Post and attach to Parts #19 and #02 with Wood Screws #55 as shown.
6. Center Handle #29 vertically and horizontally on Part #21 and secure with Round Head Screws #45 and Washers #44.
7. Repeat steps 4-6 for other side of opening.

SLAT INSTALLATION



IF YOU INSTALLED THE **OPTIONAL ROCK WALL** SKIP THIS PAGE AND CONTINUE WITH PLAYSET ASSEMBLY.

NOTE: THE REMAINDER OF THIS MANUAL WILL SHOW THE ROCK WALL IN PLACE OF CLOSED IN WALL. THIS WILL NOT AFFECT YOUR ASSEMBLY.



BACK VIEW

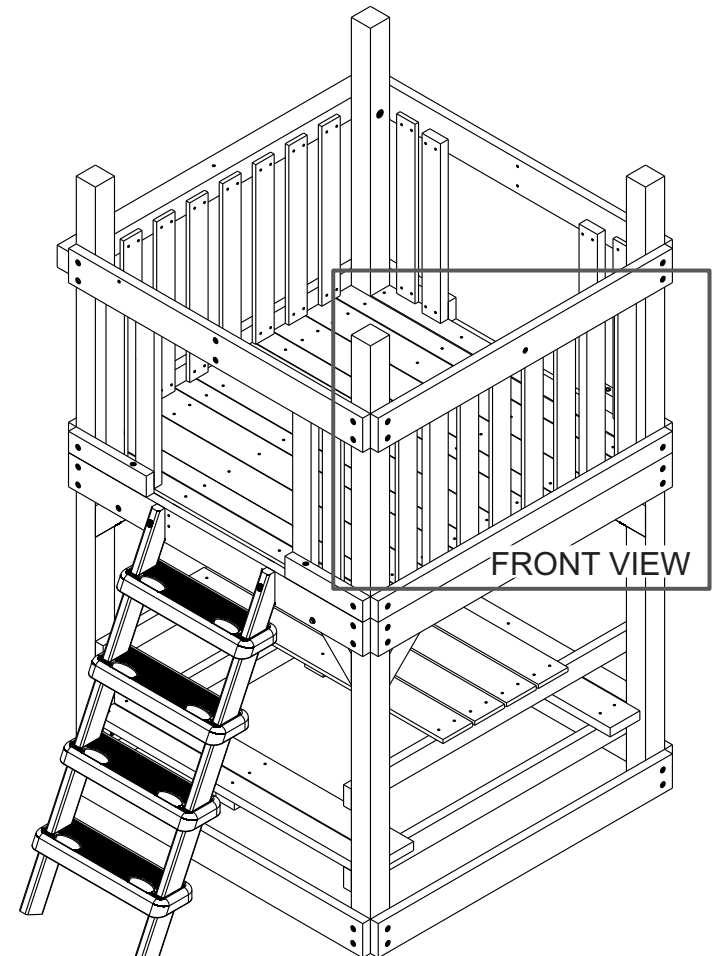
1. Attach Panel Divider #21 to parts #02 and #03 using Wood Screws #40 as shown.
2. Center one Panel Slat #9 evenly between parts #21 and Corner Posts and attach to parts #02 and #03 with Wood Screws #55 as shown.
3. Attach other Panel Slats #09 evenly spaced 2 3/8" apart with Wood Screws #55.

PARTS NEEDED

#21	PANEL DIVIDER	(2)
#09	PANEL SLAT	(6)

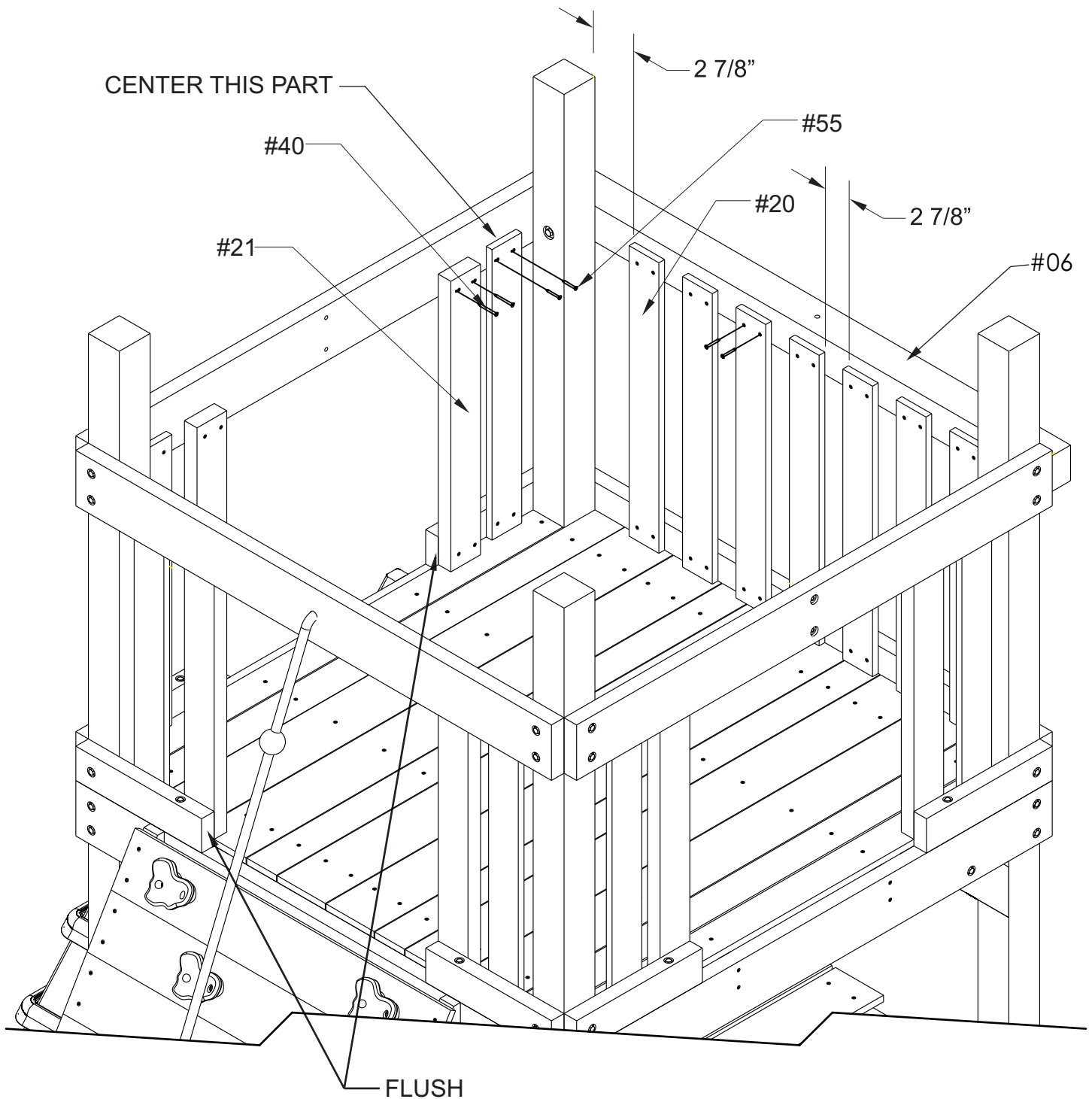
HARDWARE NEEDED

#40	#8 X 2" WOOD SCREW	(8)
#55	#8 X 1.5" WOOD SCREW	(24)



FRONT VIEW

RAIL-UPRIGHTS-INSTALLATION



PARTS NEEDED

#20	27 1/2" RAIL UPRIGHT SLAT	(13)
#21	27 1/2" RAIL UPRIGHT FOR HANDLES	(6)

HARDWARE NEEDED

#40	#8 X 2" FLAT HEAD WOODSCREW	(24)
#55	#8 X 1.5" FLAT HEAD WOODSCREW	(52)

1. Enclose side with Top Joist w/Swing Hole #06 by attaching Rail Upright Slat #20 with 2 7/8" space between each Upright Rail.
2. Attach a Rail Upright for Handles #21 to end of each Corner Fascia Board #19 (6 places) using Woodscrews #55. Rail Upright should be flush with end of Corner Fascia.
3. Attach a Rail Upright Slat #20 centered in between each Rail Upright for Handles #21 and Corner Posts using Woodscrews #55.

HANDLE-INSTALLATION

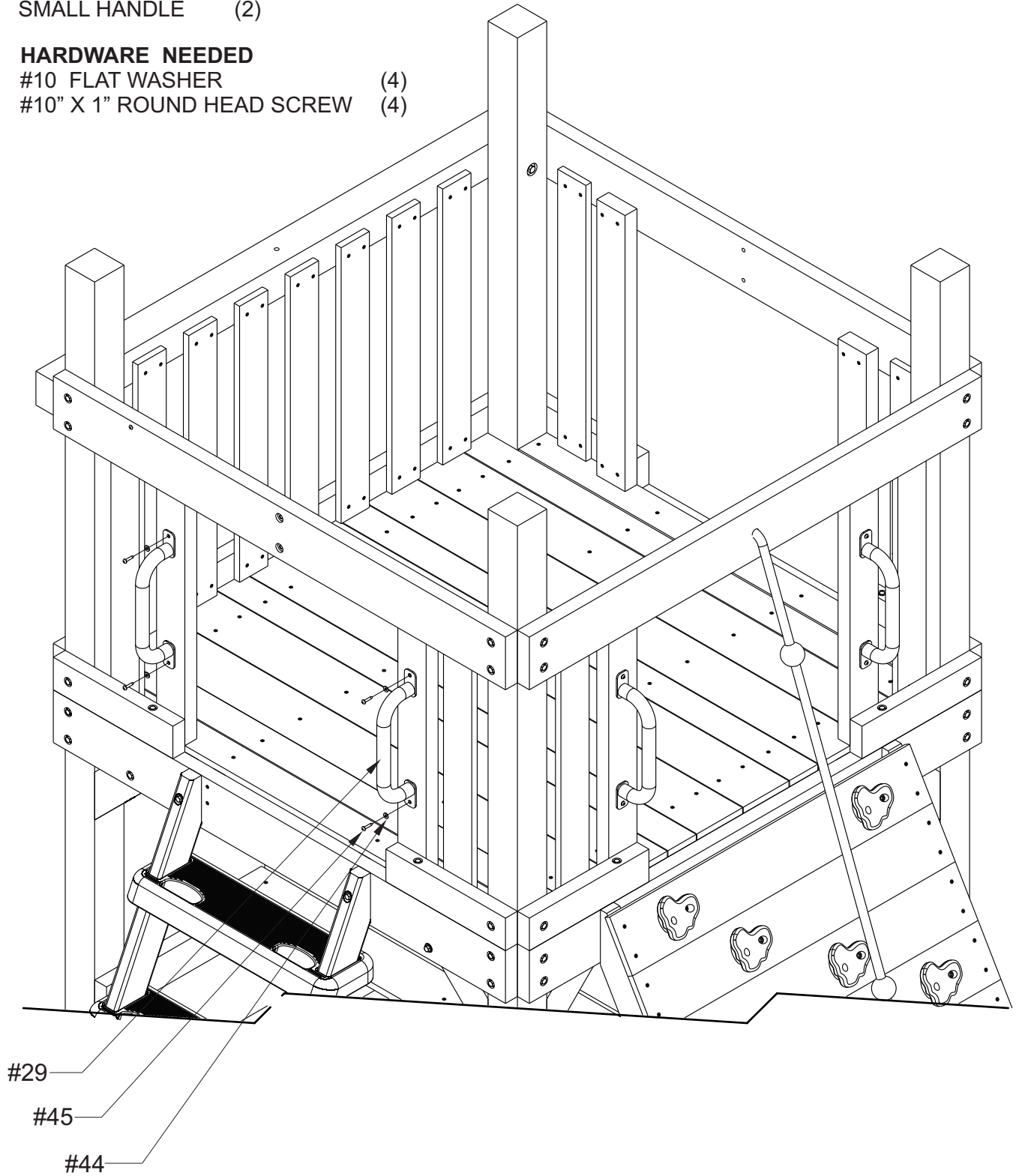
PARTS NEEDED

#29 SMALL HANDLE (2)

HARDWARE NEEDED

#44 #10 FLAT WASHER (4)

#45 #10" X 1" ROUND HEAD SCREW (4)



1. Center Small Handle #29 vertically and horizontally and attach it to Rail Uprights for Handles #21 using Flat Washer #44, and Round Head Screw #45.

VERTICAL ROOF SUPPORT & BRACKET INSTALLATION

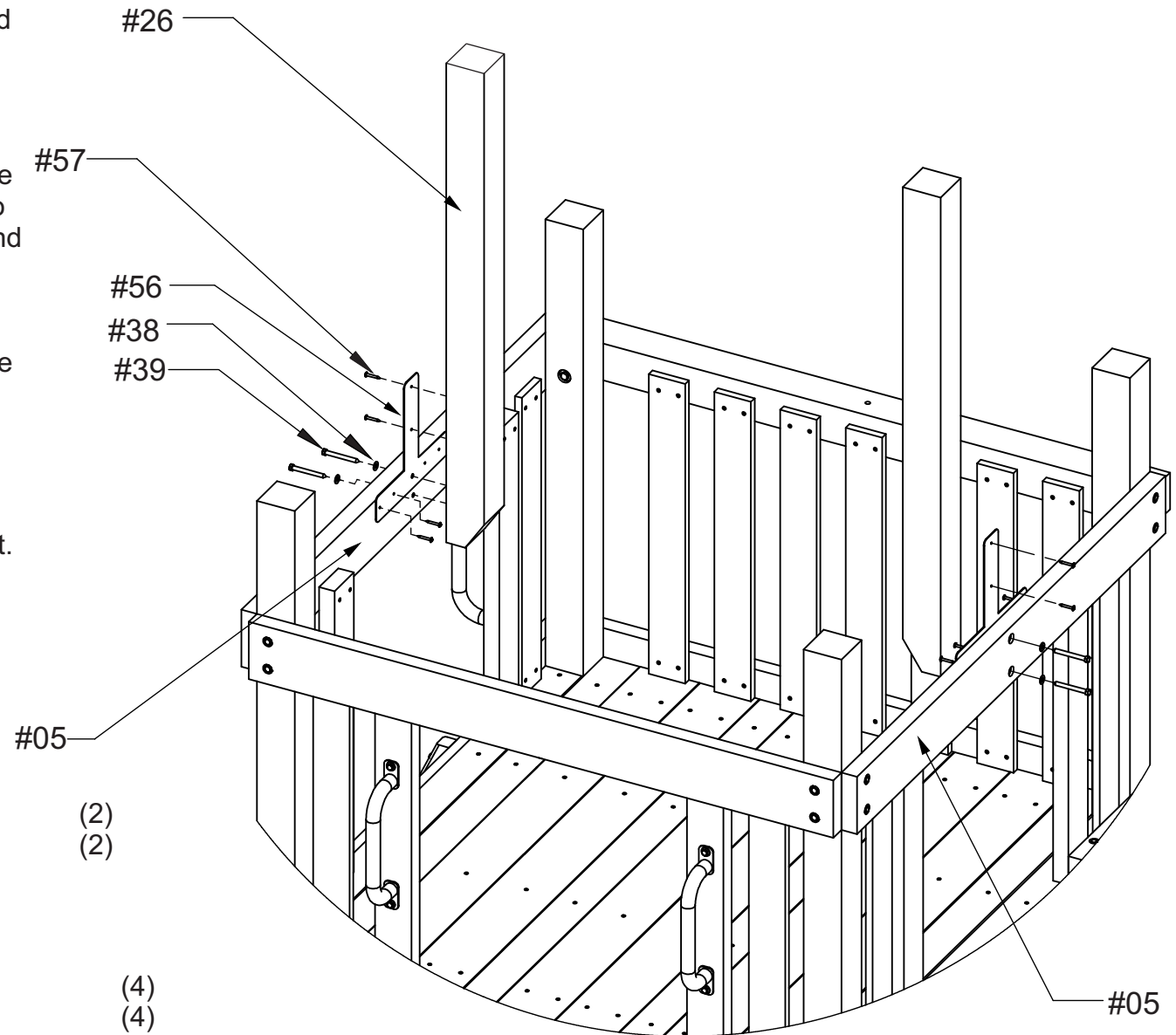
1. Line up large center hole on T-Bracket #56 with top hole on 6 Hole Fascia Board #05 and attach, T-Bracket #56, to 6 hole Fascia board #05 using Round Head Screw #57.

2. Ensure Vertical Roof Support is square to 6 Hole Fascia Board and secure it into place using hardware Lag Screw #39, and Flat Washer #38.

NOTE! bottom of Vertical Roof Support #26 should be flush with bottom of 6 Hole Fascia Board #05.

3. Install remaining #57 round head screws in top two holes in T-bracket.

4. Repeat for other vertical Roof Support.



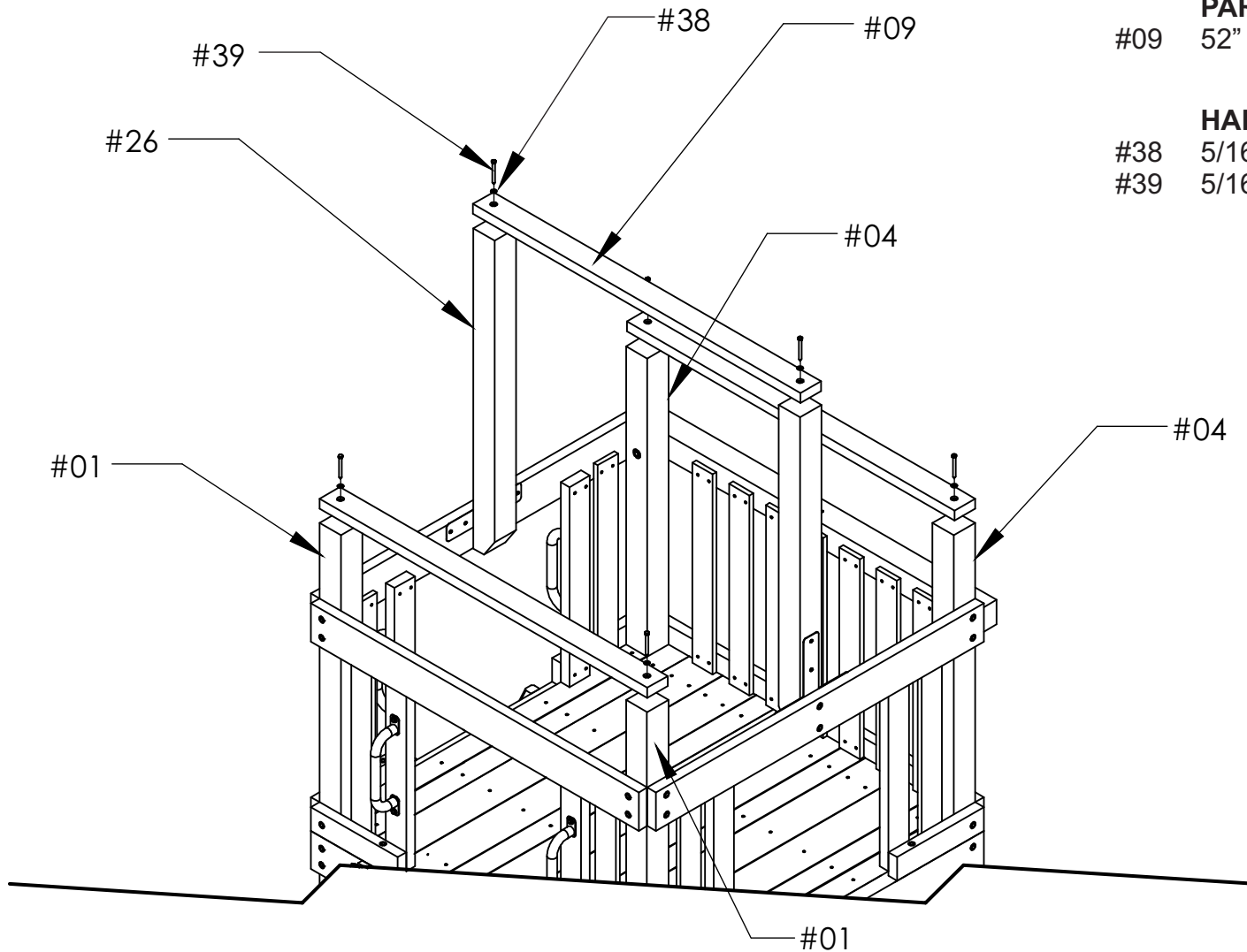
PARTS NEEDED

#26	44" VERTICAL ROOF SUPPORT	(2)
#56	T-BRACKET	(2)

HARDWARE NEEDED

#38	5/16" FLAT WASHER	(4)
#39	5/16" X 3" LAG SCREW	(4)
#57	#8 X 1.25" ROUND HEAD SCREW	(12)

CANOPY BOARD INSTALLATION

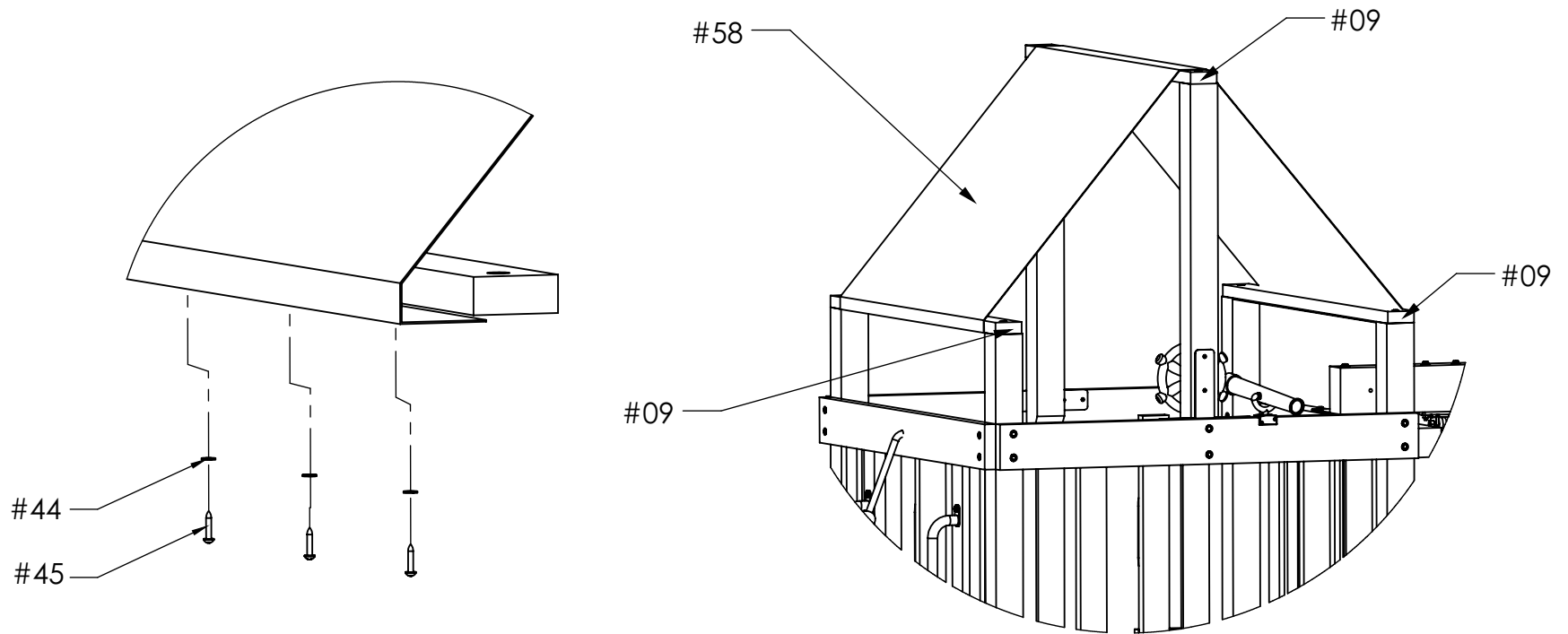


PARTS NEEDED
#09 52" 2 HOLE FASCIA BOARD (3)

HARDWARE NEEDED
#38 5/16" FLAT WASHER (6)
#39 5/16" X 3" LAG SCREW (6)

1. Position 2 Hole Fascia #09 to Corner Uprights, and Vertical Roof Supports #26 as shown and attach using hardware Flat Washer #38, and Lag Screw #39 .

VINYL ROOF INSTALLATION

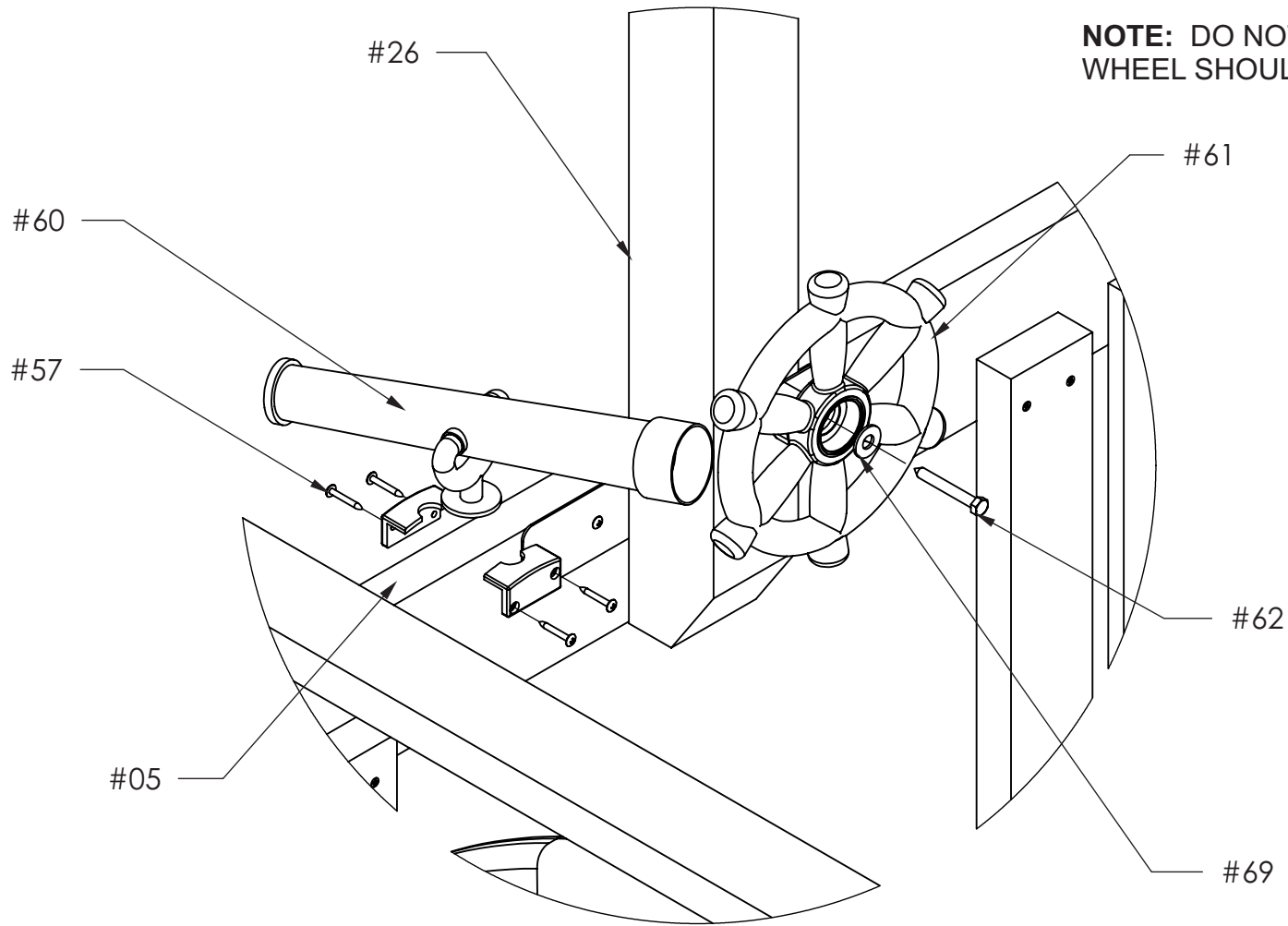


PARTS NEEDED
 #58 VINYL ROOF (1)

HARDWARE NEEDED
 #44 #10 FLAT WASHER (10)
 #45 #10 X 1" ROUND HEAD SCREW (10)

1. With a helper, center the Vinyl Roof #58 over 2 Hole Fascia #09 (left, right and center).
2. Wrap Vinyl Roof #58 over right side 2 Hole Fascia #09 attach using 5, #45 Round Head Screw and #44 Flat Washer(Screws #45 should be evenly spaced from side to side)
3. Wrap Vinyl Roof #58 and pull it tight over left side 2 Hole Fascia #09 attach using 5, #45 Round Head Screw and #44 Flat Washer(They should be evenly spaced from side to side)

SHIPS WHEEL AND TELESCOPE INSTALLATION



NOTE: DO NOT OVERTIGHTEN,
WHEEL SHOULD SPIN FREELY.

PARTS NEEDED

#60	TELESCOPE	(1)
#61	SHIPS WHEEL	(1)

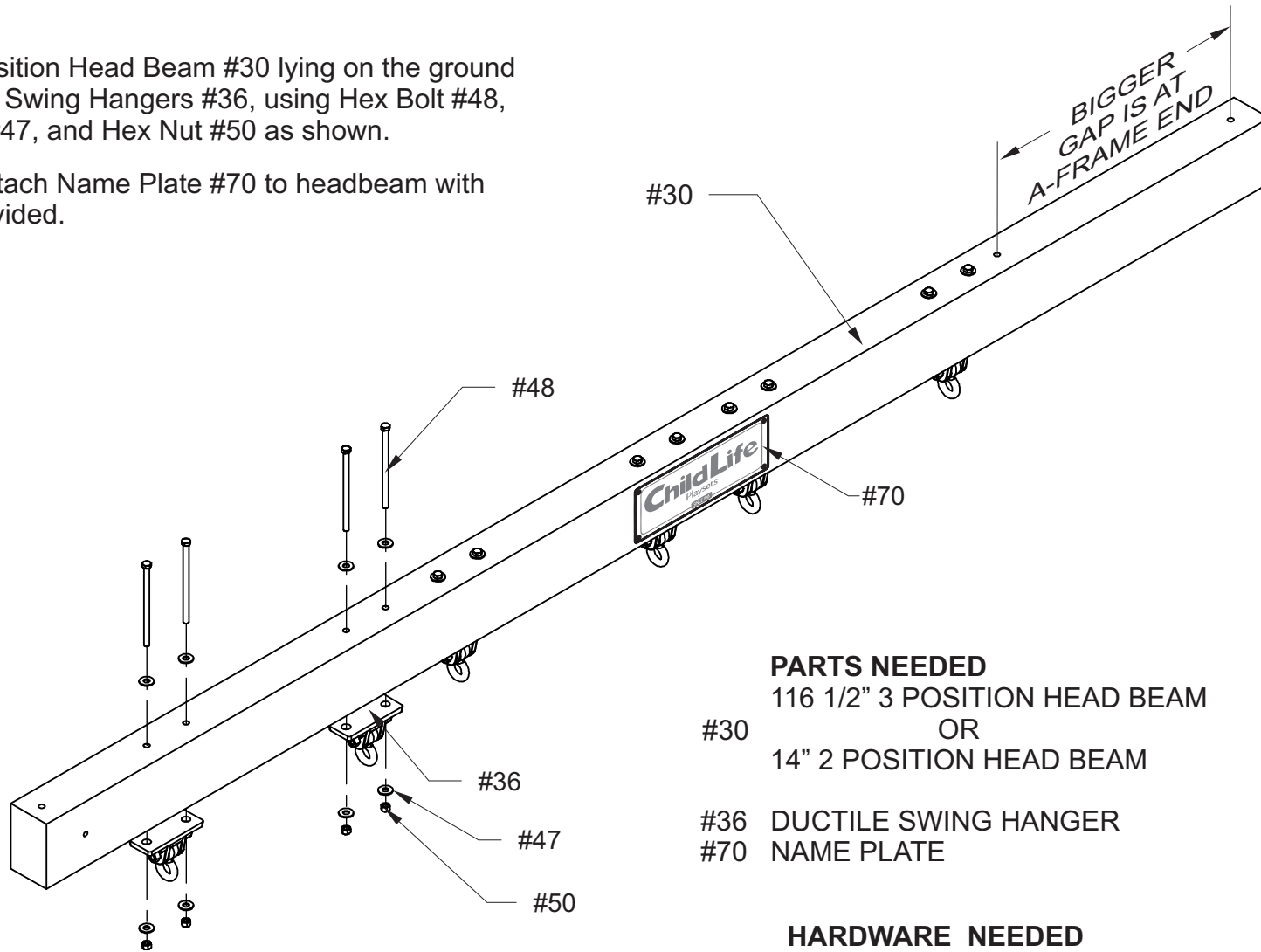
HARDWARE NEEDED

#69	3/8" STANDARD WASHER	(1)
#57	#8 X 1.25" ROUND HEAD SCREW	(4)
#62	5/16" X 2.5" LAG SCREW	(1)

1. Attach Telescope #60 to 6 Hole Fascia #05 using Round Head Screw #57 as shown.
2. Attach Ships Wheel #61 to Vertical Roof Support #26 using Lag Screw #62 and Flat Washer #69.

SWING-HANGER-ASSEMBLY

1. With the 3 Position Head Beam #30 lying on the ground attach Ductile Swing Hangers #36, using Hex Bolt #48, Flat Washer #47, and Hex Nut #50 as shown.
2. Center and attach Name Plate #70 to headbeam with hardware provided.



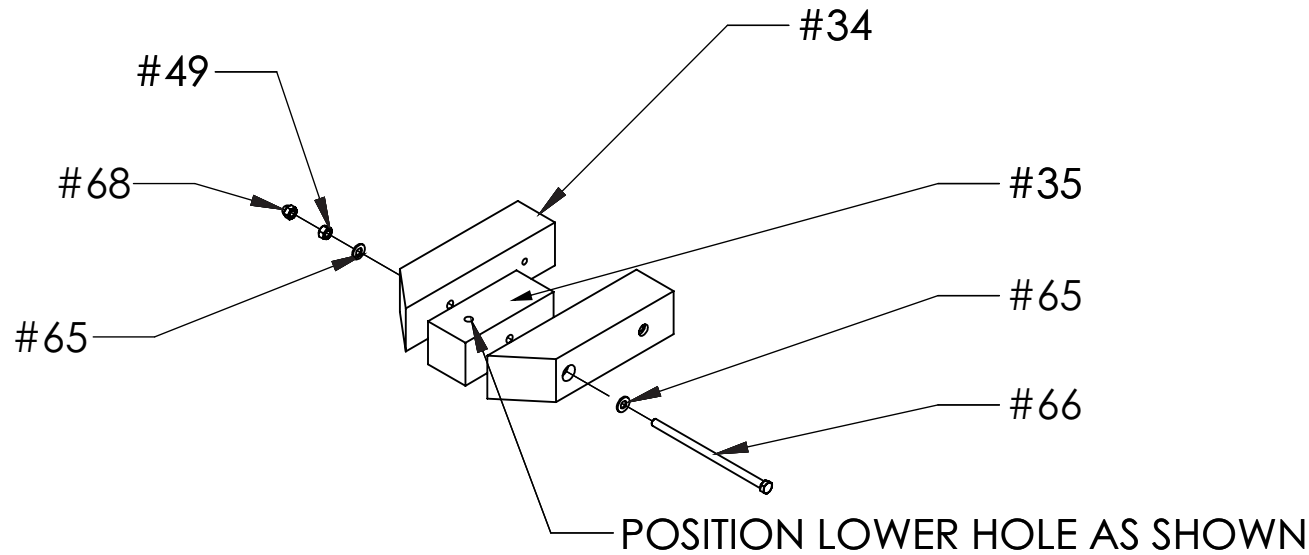
PARTS NEEDED

#30	116 1/2" 3 POSITION HEAD BEAM	(1)
	OR	
#30	14" 2 POSITION HEAD BEAM	(1)
#36	DUCTILE SWING HANGER	(6)
#70	NAME PLATE	(1)

HARDWARE NEEDED

#47	3/8" FLAT WASHER	(24)
#50	3/8" NYLON LOCKNUT	(12)
#48	3/8-16 X 6.5" HEX BOLT	(12)

U - SH AP E D B R A C K E T - A S S E M B L Y



PARTS NEEDED

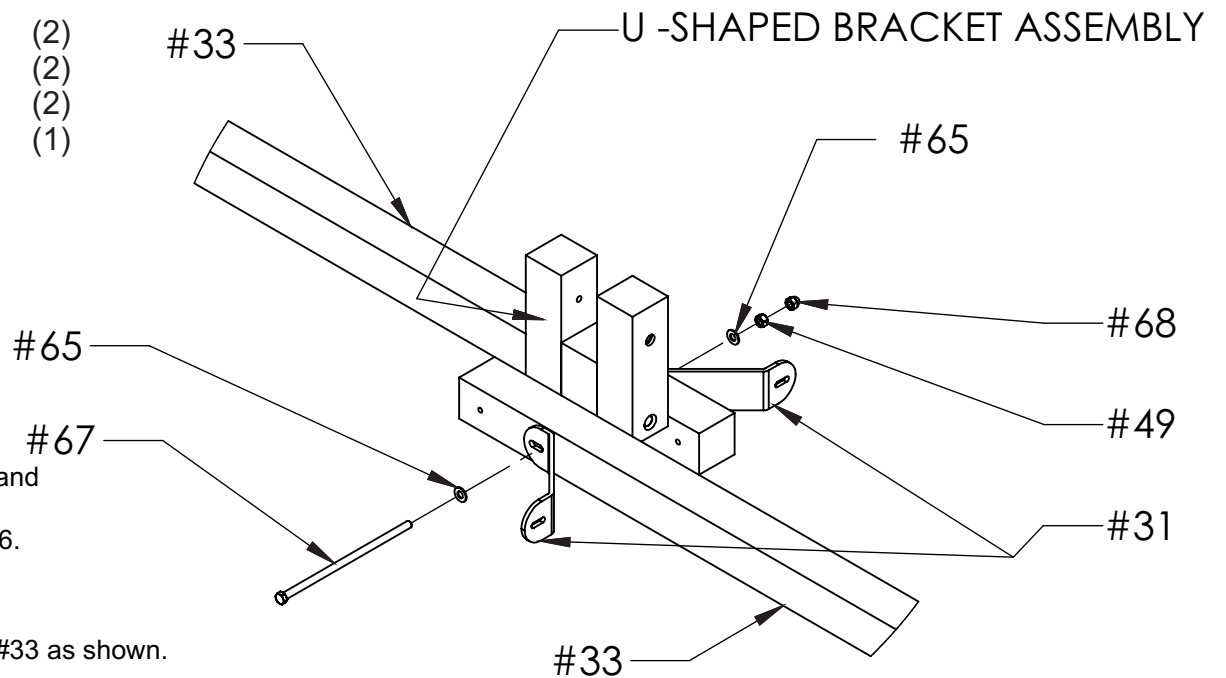
#31	ANGLE BRACKET	(2)
#33	112" A-FRAME LEG	(2)
#34	U-JOINT OUTSIDE	(2)
#35	U-JOINT CENTER SPACE BLOCK	(1)

HARDWARE NEEDED

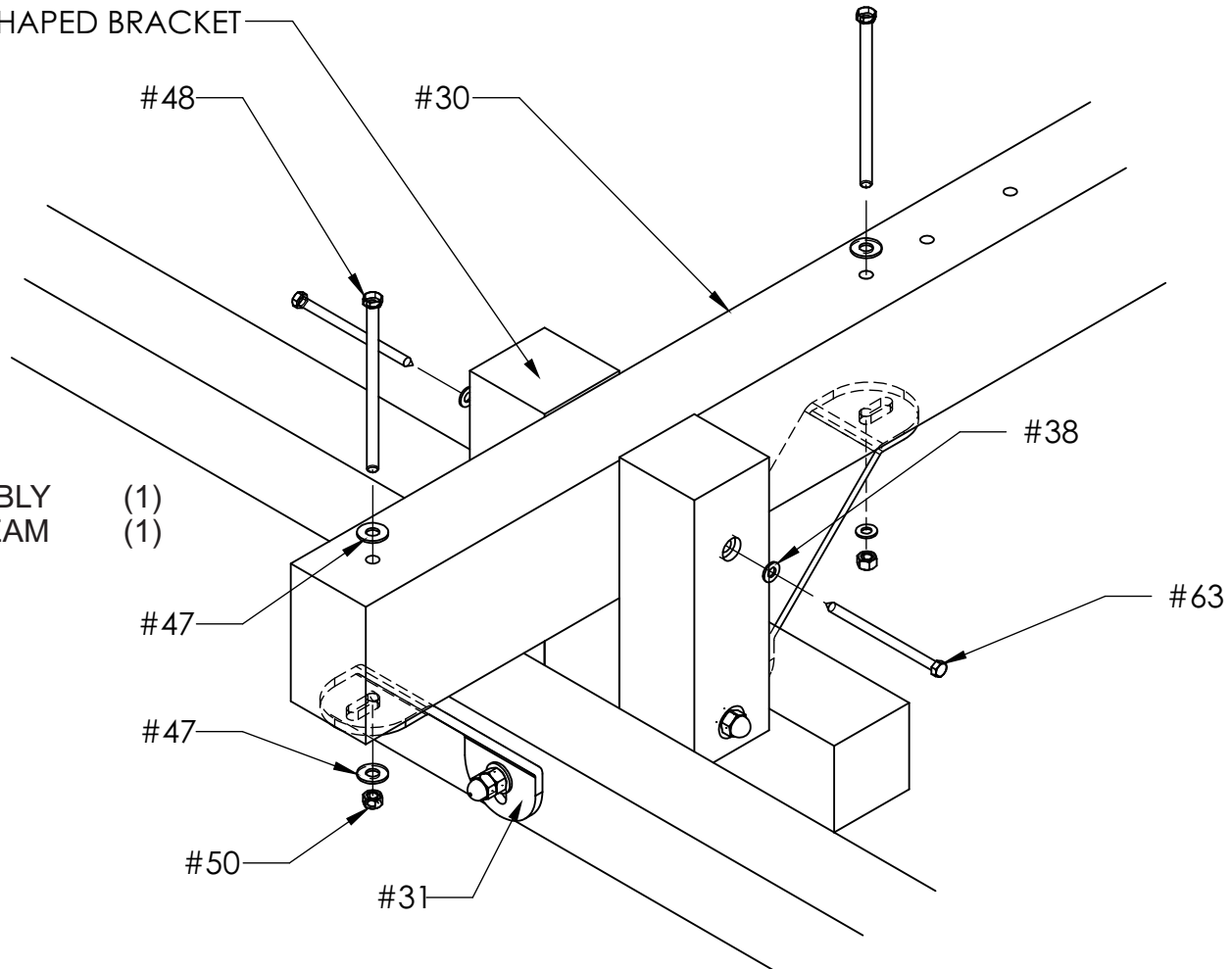
#65	1/2" FLAT WASHER	(4)
#66	1/2"-13 X 10" HEX BOLT	(1)
#67	1/2"-13 X 11.5" HEX BOLT	(1)
#68	1/2"-13 ACORN NUT	(2)
#49	1/2"-13 NYLON LOCKNUT	(2)

1. Arrange U-Shaped Bracket using U-Joint Outside # 34, and U-Joint Center Space Block #35 as shown.
2. Using Nylon Locknut #49, Flat Washer #65, Hex Bolt #66, and Acorn Nut # 68 assemble U-Shaped Bracket.
3. Lay A-Frame Legs #33 on flat surface.
4. Arrange U shaped Bracket Assembly and A-Frame Leg #33 as shown.
5. Bolt Angle Bracket #31, U shaped Bracket Assembly, and Items A-Frame Leg #33 together as shown. Using hardware Nylon Locknut #49, Flat Washer # 65, and Hex Bolt #67.

DO NOT TIGHTEN HARDWARE AT THIS TIME



HEAD BEAM TO - A - FRAME - ASSEMBLY



PARTS NEEDED

- | | | |
|-----|-------------------------------|-----|
| | U-SHAPED BRACKET ASSEMBLY | (1) |
| #30 | 116 1/2" 3 POSITION HEAD BEAM | (1) |

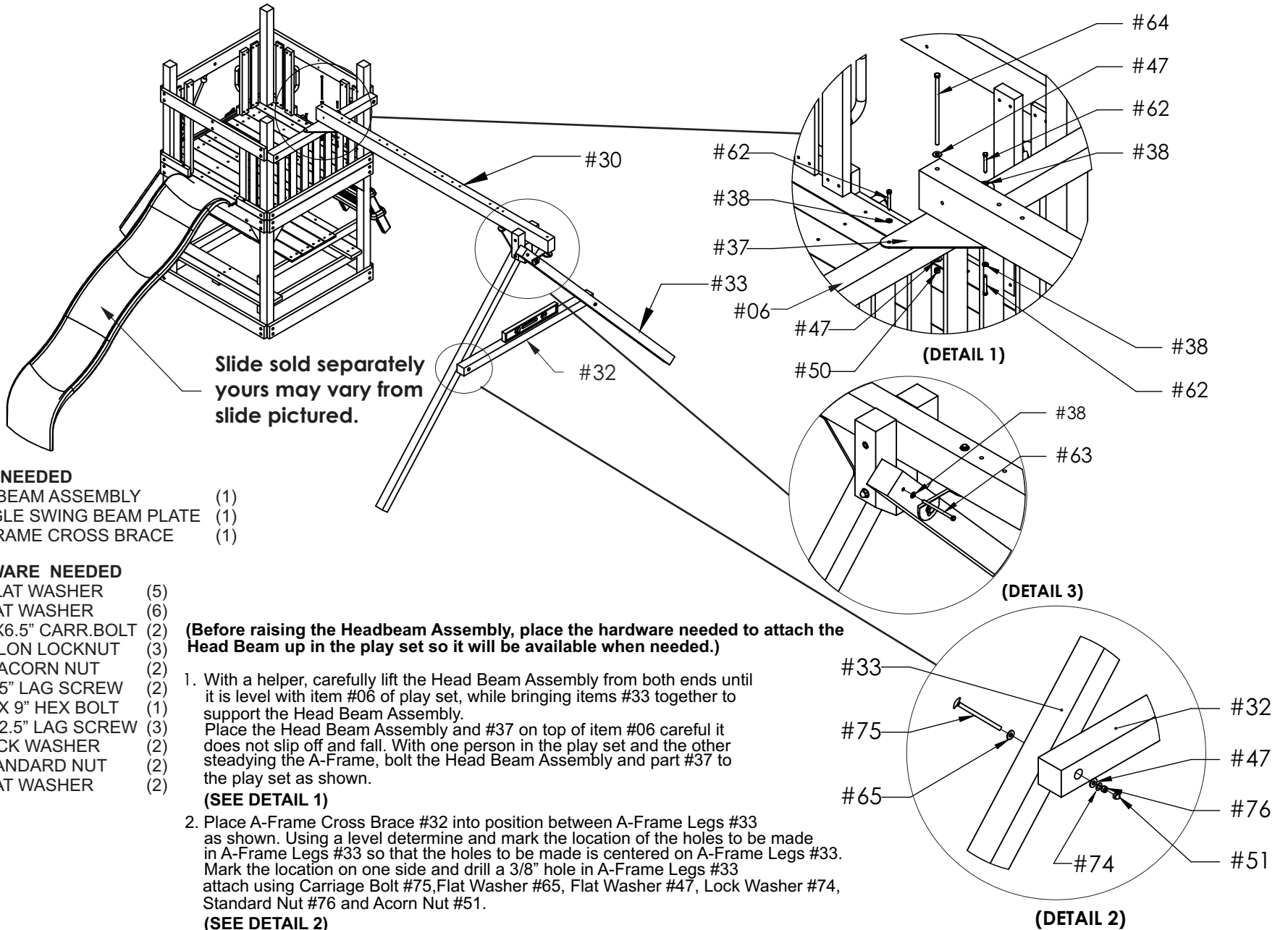
HARDWARE NEEDED

- | | | |
|-----|-------------------------|-----|
| #38 | 5/16" FLAT WASHER | (2) |
| #47 | 3/8" FLAT WASHER | (4) |
| #48 | 3/8"-16 x 6.5" HEX BOLT | (2) |
| #50 | 3/8" NYLON LOCKNUT | (2) |
| #63 | 5/16" X 5" LAG SCREW | (2) |

(Prop up the end of 3 Position Head Beam #30, 6" for it to lay flat in the U-Shaped Bracket)

1. Place 3 Position Head Beam #30 into the U-Shaped Bracket and line up Angle Bracket #31 to the two single holes in the end of item 3 Position Head Beam #30 and attach using Flat Washer #47, Hex Bolt #48 and Nylon Locknut #50.
2. When item 3 Position Head Beam #30 is sitting flat in the U-Shaped Bracket, attach with Flat Washer #38, and Lag Screw #63 into item 3 Position Head Beam #30 from each side.

RAISE HEADBEAM & ATTACH TO PLAYSET



Slide sold separately
yours may vary from
slide pictured.

PARTS NEEDED

	HEAD BEAM ASSEMBLY	(1)
#37	TRIANGLE SWING BEAM PLATE	(1)
#32	65" A FRAME CROSS BRACE	(1)

HARDWARE NEEDED

#38	5/16" FLAT WASHER	(5)
#47	3/8" FLAT WASHER	(6)
#75	3/8"-16X6.5" CARR.BOLT	(2)
#50	3/8" NYLON LOCKNUT	(3)
#51	3/8"-16 ACORN NUT	(2)
#63	5/16" X 5" LAG SCREW	(2)
#64	3/8"-16 X 9" HEX BOLT	(1)
#62	5/16" X 2.5" LAG SCREW	(3)
#74	3/8" LOCK WASHER	(2)
#76	3/8" STANDARD NUT	(2)
#65	1/2" FLAT WASHER	(2)

(Before raising the Headbeam Assembly, place the hardware needed to attach the Head Beam up in the play set so it will be available when needed.)

1. With a helper, carefully lift the Head Beam Assembly from both ends until it is level with item #06 of play set, while bringing items #33 together to support the Head Beam Assembly. Place the Head Beam Assembly and #37 on top of item #06 careful it does not slip off and fall. With one person in the play set and the other steadying the A-Frame, bolt the Head Beam Assembly and part #37 to the play set as shown.
(SEE DETAIL 1)
2. Place A-Frame Cross Brace #32 into position between A-Frame Legs #33 as shown. Using a level determine and mark the location of the holes to be made in A-Frame Legs #33 so that the holes to be made is centered on A-Frame Legs #33. Mark the location on one side and drill a 3/8" hole in A-Frame Legs #33 attach using Carriage Bolt #75, Flat Washer #65, Flat Washer #47, Lock Washer #74, Standard Nut #76 and Acorn Nut #51.
(SEE DETAIL 2)
3. Once Head Beam #30, and A-Frame #32 Cross Brace are attached Flat Washer #38, and Lag Screw #63 at the top of A-Frame Leg #33 as shown.
(SEE DETAIL 3)

Consumer Information Sheet for Playground Surfacing Materials¹

The U.S. Consumer Product Safety Commission (CPSC) estimates that about 100,000 playground equipment-related injuries resulting from falls to the ground surface are treated annually in the U.S. hospital emergency rooms. Injuries involving this hazard pattern tend to be among the most serious of all playground injuries, and have the potential to be fatal, particularly when the injury is to the head.

The surface under and around playground equipment can be a major factor in determining the injury-causing potential of a fall. It is self evident that a fall onto a shock absorbing surface is less likely to cause a serious injury than a fall onto a hard surface. Playground equipment should never be placed on hard surfaces such as concrete or asphalt and while grass may appear to be acceptable it may quickly turn to hard packed earth in areas of high traffic. Shredded bark mulch, wood chips, fine sand or fine gravel are considered to be acceptable shock absorbing surfaces when installed and maintained at a sufficient depth under and around playground equipment.

The following table lists the maximum height from which a child would not be expected to sustain a life-threatening head injury in a fall onto four different loose-fill surfacing materials if they are installed and

maintained at depths of 6", 9", and 12". However, it should be recognized that all injuries due to falls cannot be prevented no matter what surfacing material is used.

It is recommended that a shock absorbing material should extend a minimum of 6' in all directions from the perimeter of stationary equipment such as climbers and slides. However, because children may deliberately jump from a moving swing, the shock absorbing material should extend in the front and rear of a swing a minimum distance of 2 times the height of the pivot point measured from a point directly beneath the pivot point supporting structure.

This information is intended to assist in comparing the relative shock-absorbing properties of various materials. No particular material is recommended over another. However, each material is only effective when properly maintained. Materials should be checked periodically and replenished to maintain correct depth as determined necessary for your equipment. The choice of a material depends on the type and height of the playground equipment, the availability of the material in your area, and its cost.

FALL HEIGHT IN FEET FROM WHICH A LIFE THREATENING HEAD INJURY WOULD NOT BE EXPECTED

TYPE OF MATERIAL	6" DEPTH	9" DEPTH	12" DEPTH
Double Shredded Bark Mulch	6'	10'	11'
Wood Chips	6'	7'	12'
Fine Sand	5'	5'	9'
Fine Gravel	6'	7'	10'

¹This information has been extracted from the CPSC publications "Playground Surfacing—Technical Information Guide" and "Handbook for Public Playground Safety." Copies of these reports can be obtained by sending a postcard to the Office of Public Affairs, U.S. Consumer Product Safety Commission, Washington, D.C. 20207. Or call the toll-free hotline: 1-800-638-2772.

ChildLife[®]

Playsets

Limited Two and Ten
Year Warranties

Subject to proper installation and normal residential use, Escalade Sports warrants, subject to the limitations stated below, to the original retail purchaser, all chain, seats, swing hangers, hardware, metal braces and accessories to be free from defects in material and workmanship for a period of two years from date of purchase. In addition, Escalade Sports warrants all ropes for a period of one year. Cracks in non-functional plastic components are not considered defects in materials and workmanship if they do not affect the functionality of the playset. Merchandise covered under this limited two-year warranty will, at our option, be repaired or replaced, excluding any freight or labor fees that may be required.

In addition, for a period of ten years, which the original purchaser owns the playset, Escalade Sports warrants, to the original retail purchaser, all wooden components against structural failure due to corrosion, wood rot, or insect infestation. **Seasonal checks and surface cracks, knotholes and knots, natural characteristics of all wooden play equipment, not resulting in structural failure, are not covered under this warranty.**

Components covered under this limited ten year warranty will be replaced free of charge excluding freight and labor fees.

Non-residential use of the playset is prohibited and voids the warranty as the playsets are designed for residential use only.

Escalade Sports reserves the right to examine photographs and/or physical evidence of merchandise claimed to be defective, and to recover said merchandise, prior to disposition of warranty claims. Merchandise returned to our factory for examination or recovery must be shipped freight prepaid, unless a Return Authorization Number is issued.

No warranty is offered on equipment subjected to abuse, negligence, improper installation, vandalism, acts of God, unauthorized alteration or attachment to equipment other than our own, or improper use, service or repair by customer or any third party. Escalade Sports assumes no responsibility for incidental or consequential damages which may arise from the purchase or use of our equipment. Please supervise your children's play activity and maintain your play equipment periodically.

THIS WARRANTY IS EXPRESSLY IN LIEU OF ALL OTHER WARRANTIES, EXPRESSED OR IMPLIED, INCLUDING WARRANTIES OF MERCHANTABILITY OR FITNESS FOR USE. OASIS PLAYSETS DOES NOT ASSUME, OR AUTHORIZE ANY PERSON TO ASSUME FOR US, ANY OTHER LIABILITY IN CONNECTION WITH THE SALE OF OUR PRODUCTS.

For warranty service, contact:

Childlife Playsets
Escalade Sports
P.O. Box 889
Evansville, IN 47706
1-800-GO-SWING

Or E-Mail us at: playgroundcs@escaladesports.com