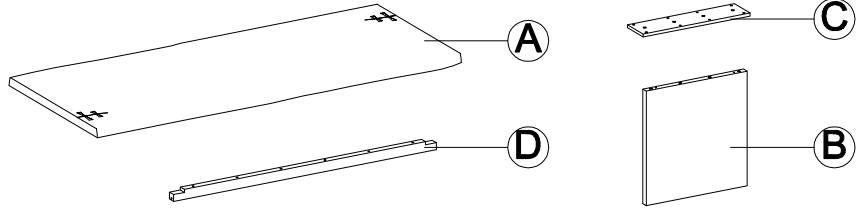


ONE WOOD DINING TABLE ASSEMBLY INSTRUCTIONS



PARTS PACKING CONFIGURATIONS

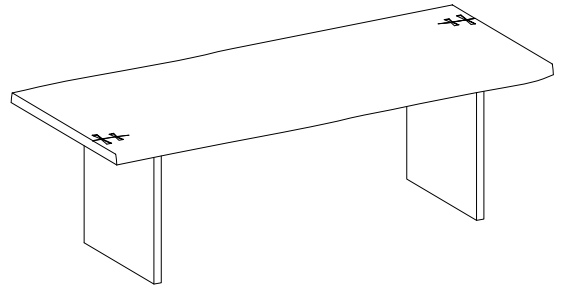
- A. TOP 1PC
- B. LEG 2PCS
- C. MOUNTING PLATE 2PCS
- D. TOP SUPPORT 1PC



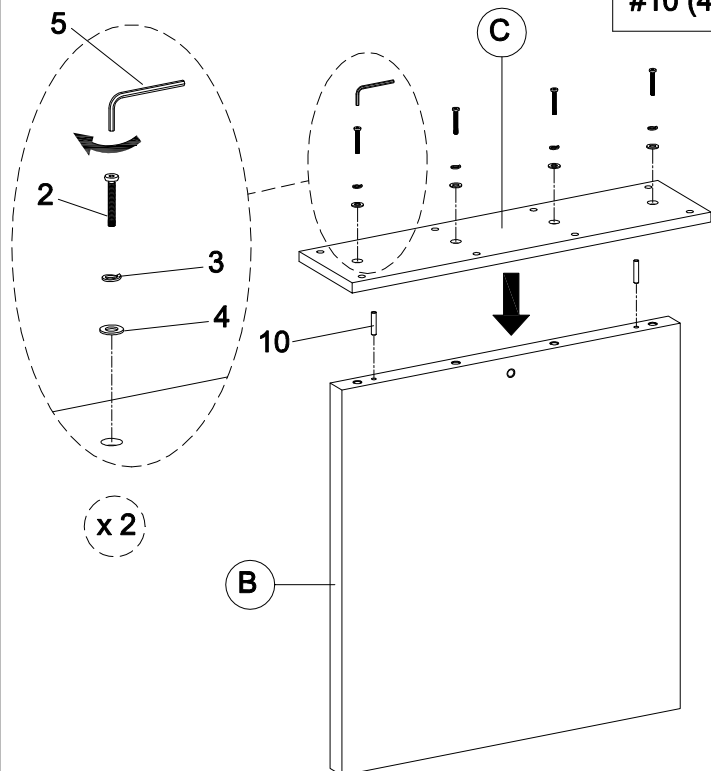
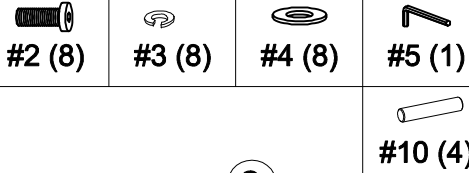
HARDWARE KIT PACKED IN BOX

NO.	DESCRIPTION	IMAGE	Q'TY
1	ALLEN BOLT (5/16"x3")		6 PCS
2	ALLEN BOLT (5/16"x1-1/2")		24 PCS
3	LOCK WASHER (5/16")		30 PCS
4	FLAT WASHER (5/16")		30 PCS
5	ALLEN KEY (5mm)		1 PC
6	THREADED BOLT(5/16"x3")		2 PCS
7	HALF MOON WASHER(28x14x7mm)		2 PCS
8	HEX NUT (5/16")		2 PCS
9	WRENCH		1 PC
10	WOOD DOWEL(8x30mm)		4 PCS

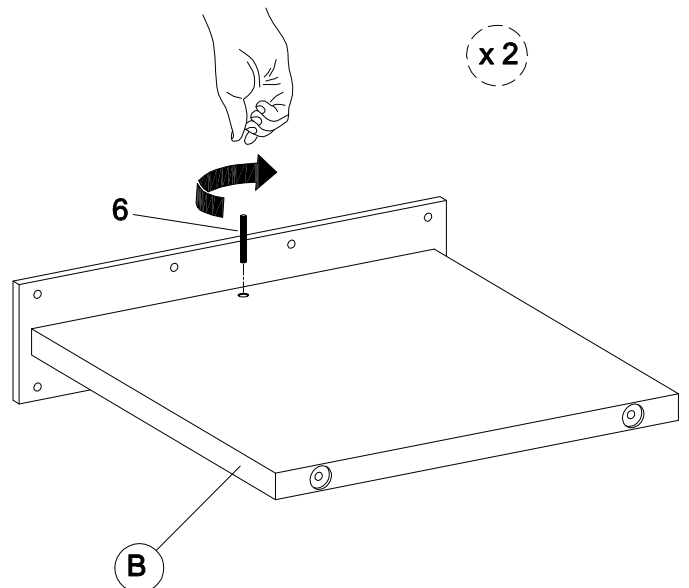
FULLY ASSEMBLED



Step 1:



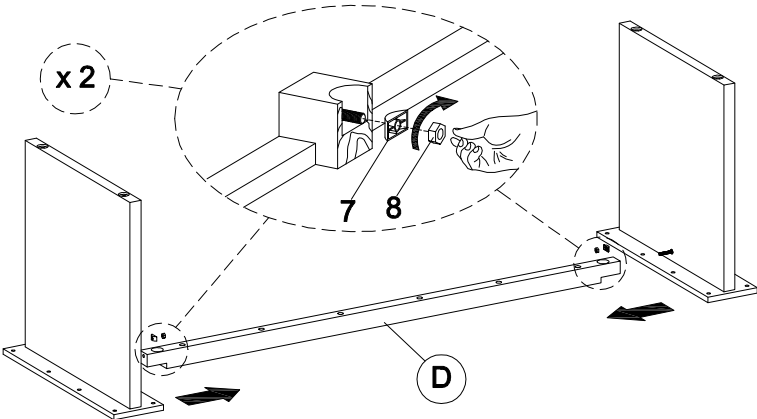
Step 2:



ONE WOOD DINING TABLE ASSEMBLY INSTRUCTIONS

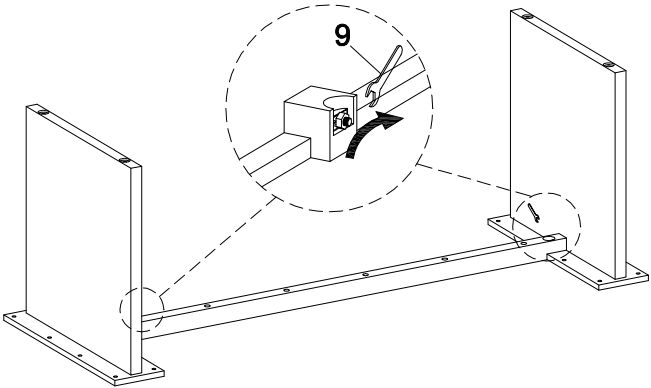


Step 3:



#7 (2)	#8 (2)
--------	--------

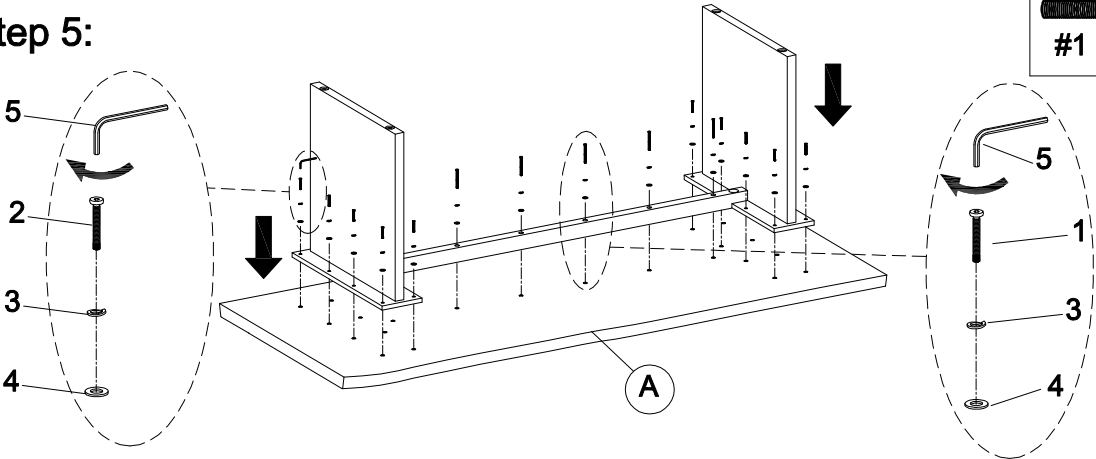
Step 4:



#9 (1)

NOTE: FULLY TIGHTEN BOTH HEX NUTS.

Step 5:



#1 (6)	#2 (16)	#3 (22)
#4 (22)	#5 (1)	

ASSEMBLY COMPLETE

