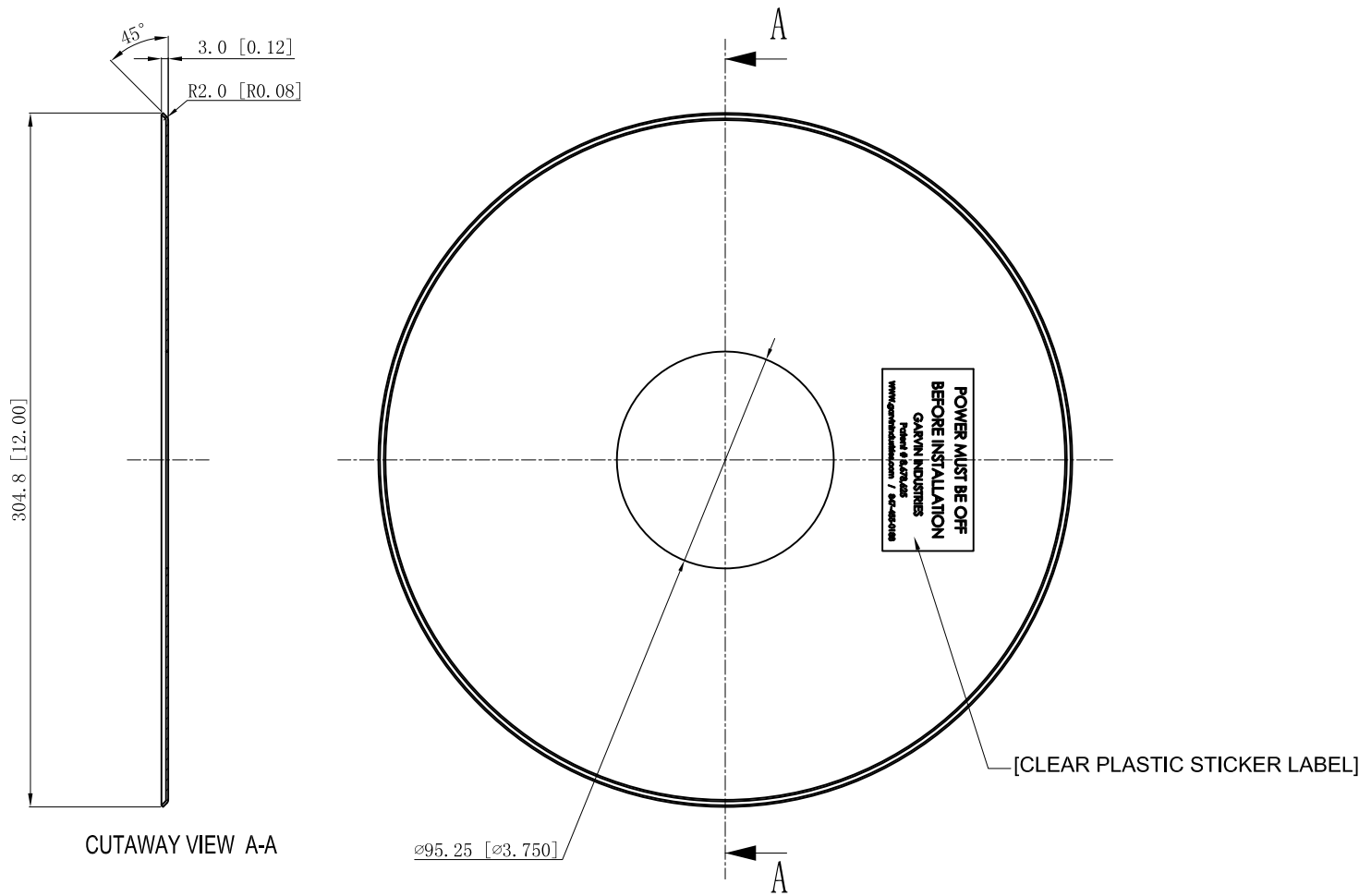


SIDES	BOTTOM
Material: Steel-0.0393"-C. R. S Powder Coating White	



This data sheet is for reference only .GARVIN INDUSTRIES reserves the right to make changes to the design without prior notice.

DESCRIPTION
TRADE REFERENCE TERMS

STANDARD PACKING	<h1 style="text-align: center;">GARVIN INDUSTRIES</h1> <h2 style="text-align: center;">12" ROUND CEILING BLANKS</h2>		
	TITLE		
	SIZE	DWG NO.	
	A4	CBD-1200	
	DATA SHEET		
			REV