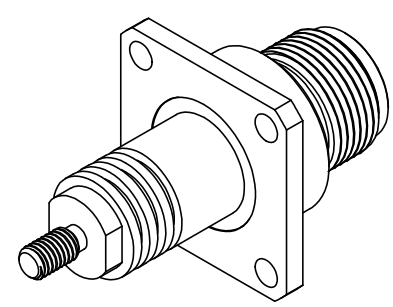
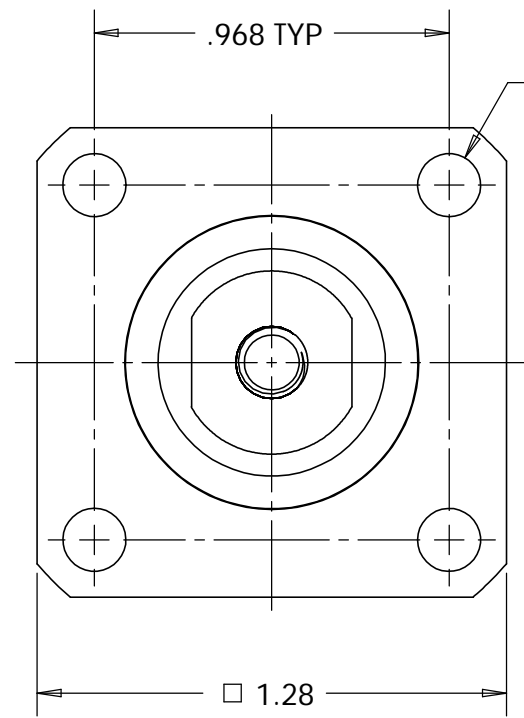


This document, including the design, configuration and mechanical features revealed herein are the sole, confidential and proprietary property of TRU Corporation. Reproduction or use thereof, in whole or part, is prohibited without the prior written consent of TRU Corporation.

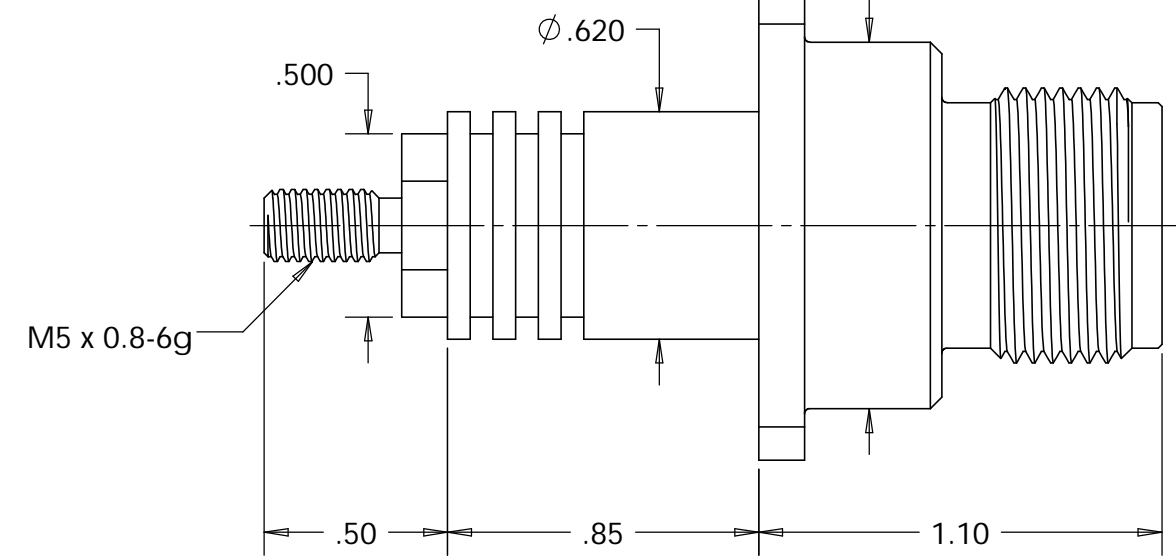
REV.	DESCRIPTION	DATE	APPROVED
-	ORIGINAL ISSUE	11/12/07	WWW



ISOMETRIC VIEW
SCALE 1:1



Ø.172 HOLE
4 PLACES



M5 x 0.8-6g

ENGINEERING DATA:

ELECTRICAL:
IMPEDANCE: 50 OHMS NOMINAL


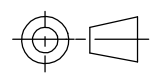
MECHANICAL:
INTERFACE: HN(f) PER MIL-STD-348A, FIG. 317.2

MATERIAL:
INSULATOR: PTFE (TEFLON) PER ASTM-D1710, I1A
CONTACT: BERYLLIUM COPPER C17300, TD04 (H) PER ASTM-B196
BODY: BRASS C36000, H02 PER ASTM-B16

FINISH:
CONTACTS: SILVER PLATED
BODY: NICKEL PLATED

NOTES:
1. UNLESS OTHERWISE SPECIFIED; ALL DIMENSIONS ARE REFERENCE ONLY.

2. PRODUCT COMPLIES WITH ROHS DIRECTIVE 2002/95/EC.

MATERIAL	DO NOT SCALE DRAWING	DRAWN Warren Whitten	DATE 11/5/07	 TRU CORPORATION 245 LYNNFIELD STREET, PEABODY, MA 01960 The Custom Interconnect Leader™
	UNLESS OTHERWISE SPECIFIED: DIMENSIONS ARE IN INCHES	ENG APPR. AM	DATE 11/8/07	
COMMENTS:	TOLERANCES: FRACTIONS: ±1/64 .XX : ±.01 .XXX: ±.005 ANGLES: ±1/2° MACHINED SURFACES: 63/√	MFG APPR.	DATE	TITLE: CONNECTOR, COAXIAL, RF HN(f) RECEPTACLE, PANEL
		OTHER APPR.	DATE	
surface area: sq inch	weight: lbs	THIRD ANGLE PROJECTION 		SIZE B DWG. NO. TRU-10734 REV -
		CAGE CODE: 92180		SCALE: 2:1 SHEET 1 OF 1