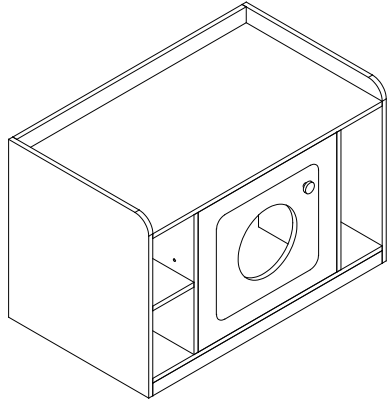


# ASSEMBLY INSTRUCTION



A x 39



B x 39



C x 4



D x 1



E x 1



F x 16



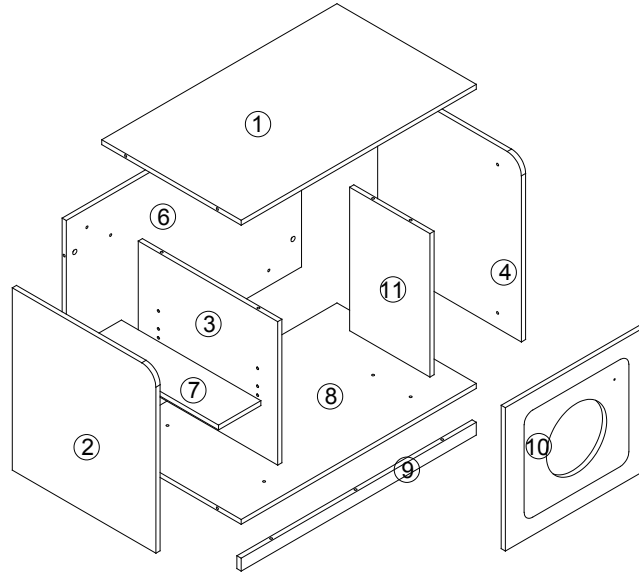
G x 2



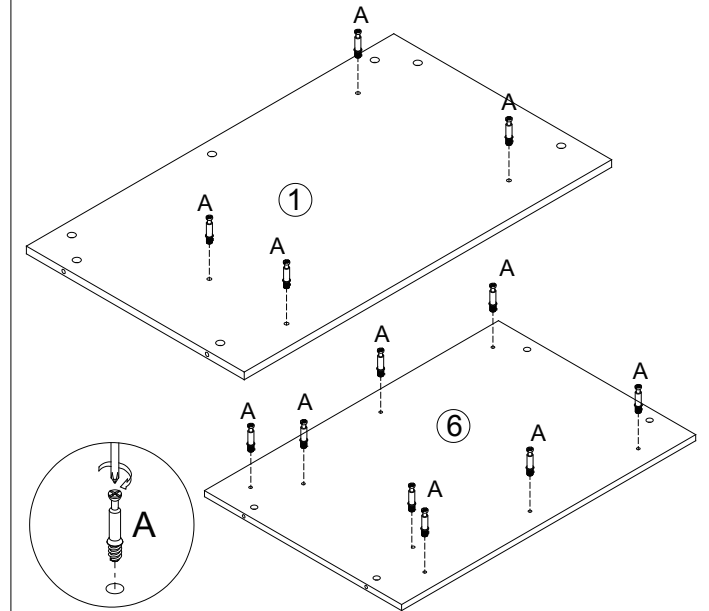
H x 1



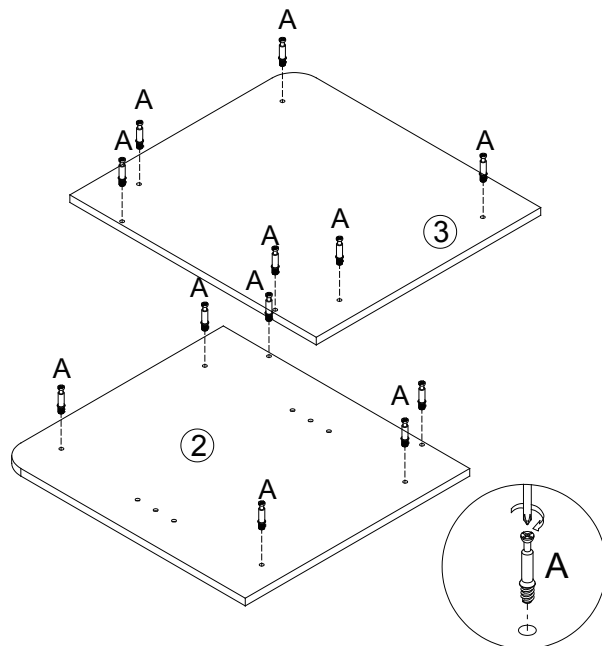
J x 1



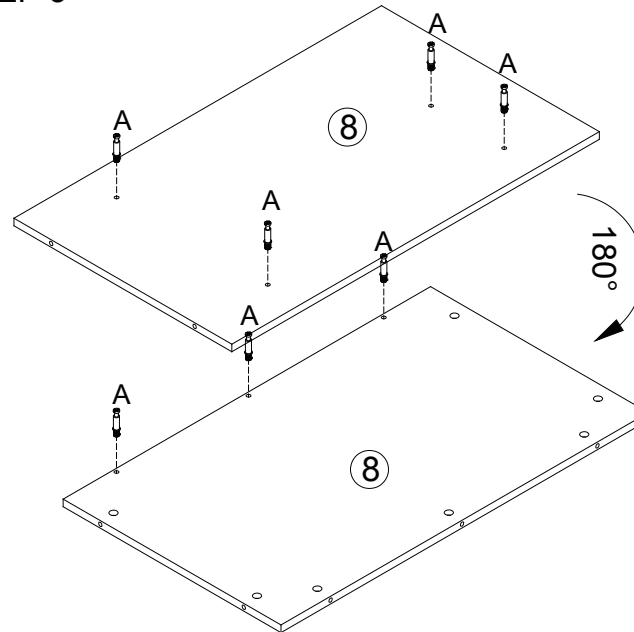
## STEP 1



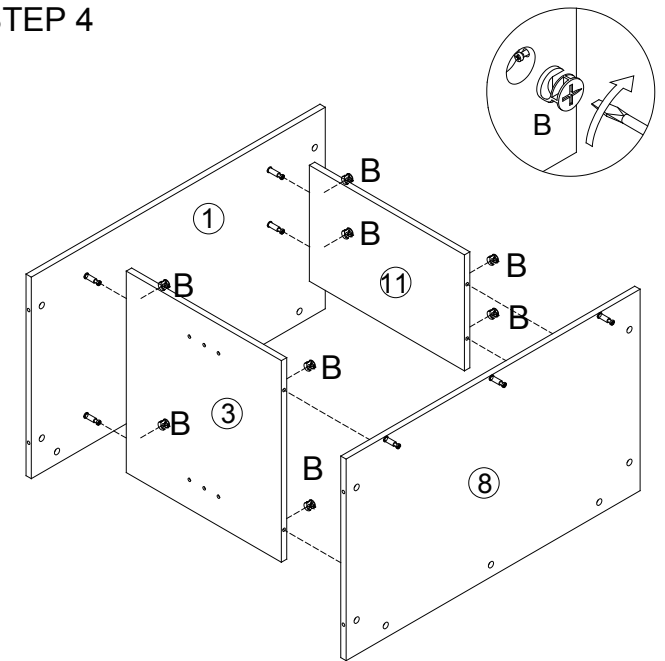
## STEP 2



## STEP 3

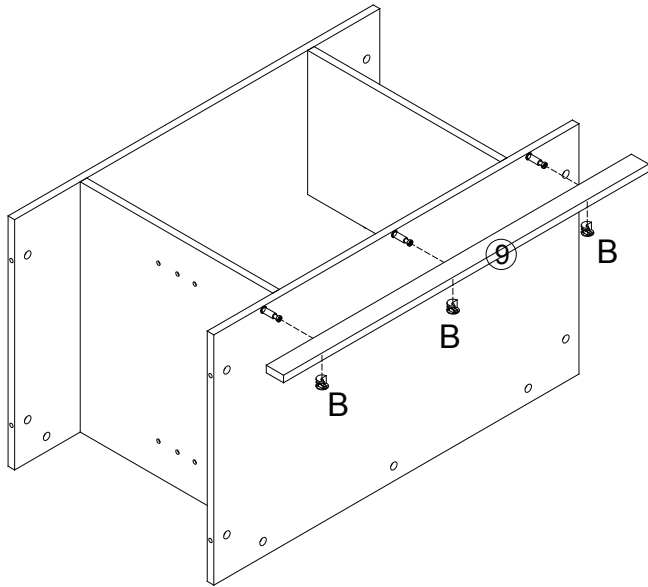


## STEP 4

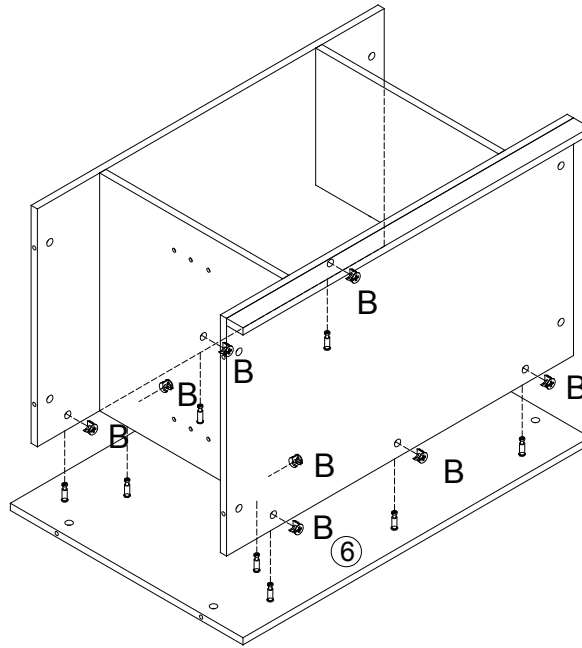


# ASSEMBLY INSTRUCTION

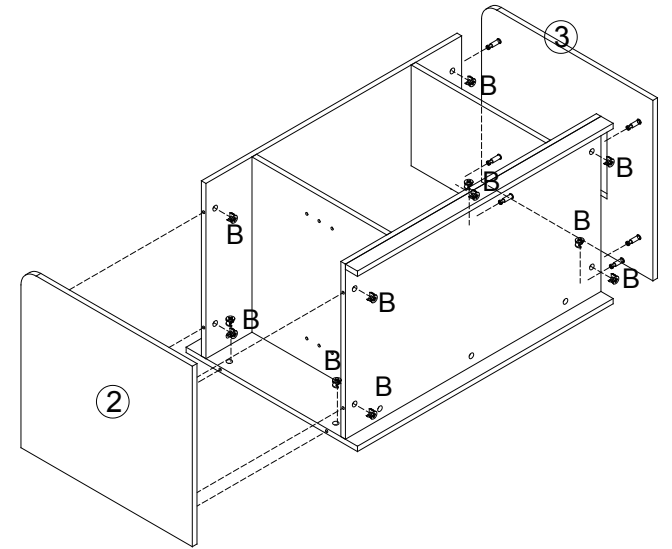
STEP 5



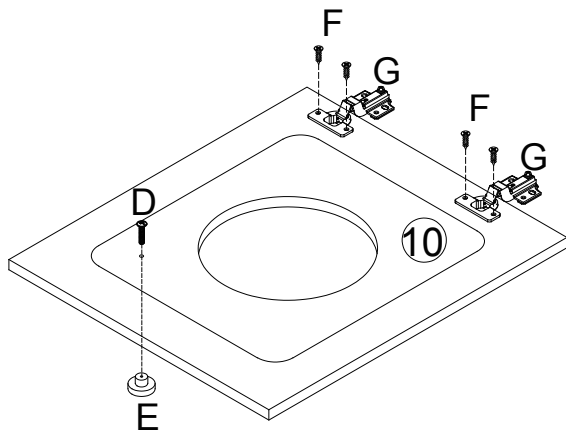
STEP 6



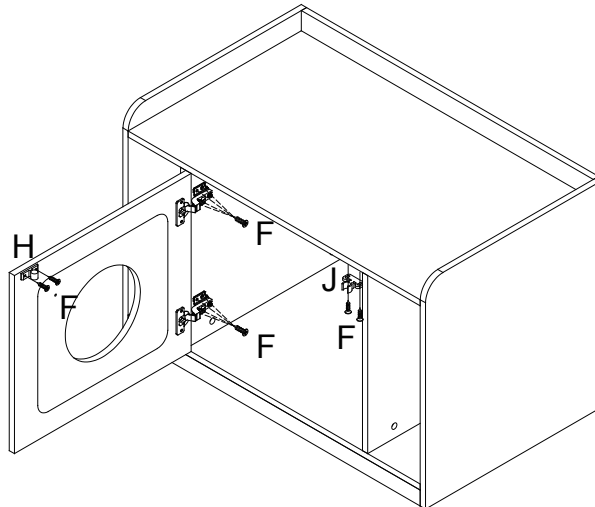
STEP 7



STEP 8



STEP 9



STEP 10

