

Gravityflo® Portable Eyewash

MODELS:

- SE-4300: Gravityflo Portable Eyewash
- SE-4330: Gravityflo Portable Eyewash with Heated Jacket
- SE-4380: Gravityflo Portable Eyewash with SE-4360 transportation cart

FEATURES:

- Molded plastic spray outlets
- 20 gallon high density molded polyethylene tank
- Pull elastomeric strap for activation
- 3/4" GHT Male fitting for draining and cleaning unit, and attaching the included SE-4920 drench hose for quick and easy draining
- 3/4" GHT Male drain outlet on underside of tank
- 0.4 GPM (1.51 L/min) @ 30 PSI flow rate
- Plastic fill cap with integral tamper prevention
- Shelf or wall mountable (wall mount bracket included)
- Integral eyewash sign included

ADD-ONS:

- SE-4930: Freeze Protected Jacket
- SE-4360: Transportation Cart

STANDARDS:

- ANSI/ISEA Z358.1 certified

WARRANTY:

Visit www.speakman.com for full product warranty information

- 3 Year Limited Warranty (commercial)



SE-4300

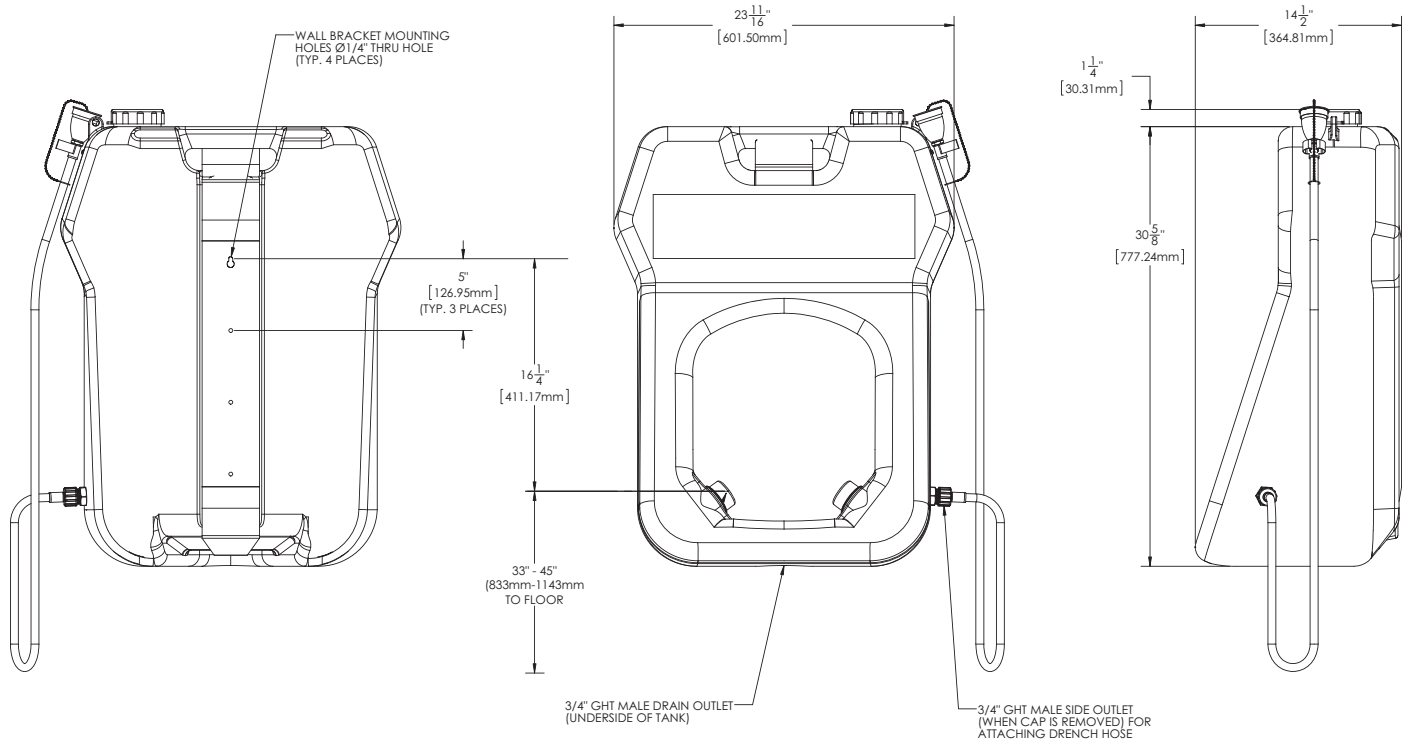
Information continues on next page

All dimensions are in inches (millimeters) unless otherwise specified and are subject to change without notice.

Architect/Engineer Approval Space:

P: 800-537-2107
F: 800-977-2747
W: WWW.SPEAKMAN.COM
R: 02-NOVEMBER 2019

Gravityflo® Portable Eyewash



All dimensions are in inches (millimeters) unless otherwise specified and are subject to change without notice.

Architect/Engineer Approval Space:

P: 800-537-2107
 F: 800-977-2747
 W: WWW.SPEAKMAN.COM
 R: 02-NOVEMBER 2019