

Installation Instructions

Locker with Wall Panels

Record your model number:
Noter le numéro de modèle:
Anoté su número de modelo: _____

Français, page 21
Español, página 40

KOHLER®

Thank You for Choosing KOHLER

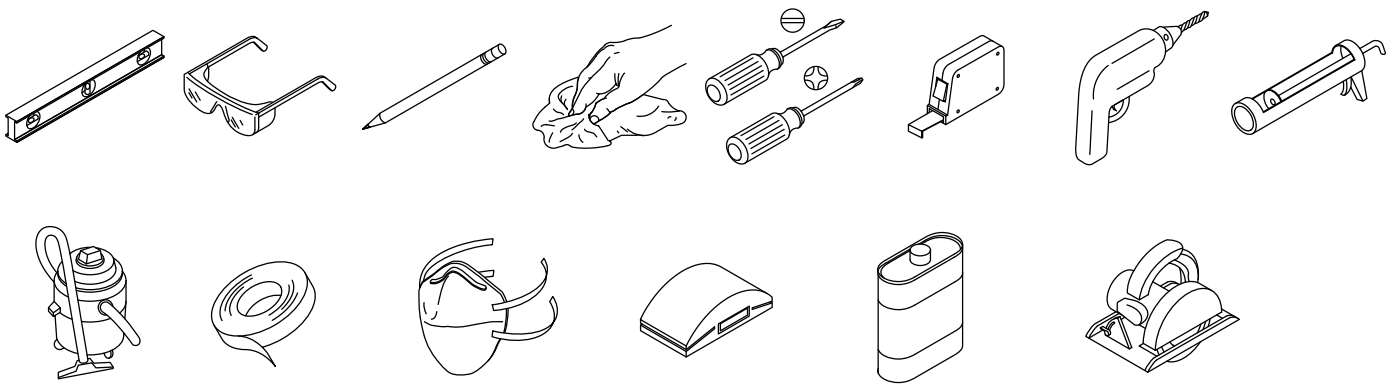
Need help? Contact our Customer Care Center.

- USA/Canada: 1-800-4KOHLER (1-800-456-4537) Mexico: 001-800-456-4537
- Service parts: kohler.com/serviceparts
- Care and cleaning: kohler.com/clean
- Patents: kohlercompany.com/patents

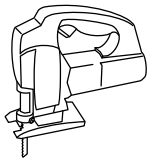
Warranty

This product is covered under the **KOHLER® Choreograph® Walls and Accessories Ten-Year Limited Warranty**, found at kohler.com/warranty. For a hardcopy of warranty terms, contact the Customer Care Center.

Tools and Materials



Masking Tape Breathing Protection Sanding Block Denatured Alcohol 7-1/4" Circular Saw




Jigsaw

Plus:

- Standard Woodworking Tools
- Spring Loaded Braces or Lumber (to create bracing)
- 1-2 Tubes Color Matched 100% Silicone Sealant
- 8+ Tubes Light-colored Silicone Sealant (for installation over tile)
- Sawhorses
- Drop Cloth
- 120 Grit Sandpaper

Before You Begin

 **WARNING: Risk of serious injury.** When cutting and drilling, wear safety glasses and use breathing protection.

 **CAUTION: Risk of personal injury.** For ceiling panel installations, install the ceiling panel and allow the adhesive to cure before installing the wall panels. The ceiling could fall during wall panel installation if curing time is not sufficient.

 **CAUTION: Risk of product damage.** The wall panels should be room temperature before cutting. Allow the temperature to stabilize if the walls were in a cold environment.

IMPORTANT! Dust will be generated when cutting the wall panels and locker unit. Cut the walls and locker outside or in a well ventilated area.

IMPORTANT! For best results, cut the walls according to the instructions included with the wall panels.

IMPORTANT! Leave this manual for the end user.

Read these instructions before installing or using this product.

The locker unit must only be trimmed in height. Do not cut down the sides.

Verify that the existing rough walls are within 3/8" (10 mm) of plumb.

The locker unit must be braced using 2x4's around the entire unit.

Use color matched silicone sealant in the joints and around the locker unit.

Check all joints, walls, and accessories for proper color before beginning installation.

Cover the shower base with a drop cloth or other protective material to avoid damage.

Follow the adhesive and silicone sealant instructions for application and curing time.

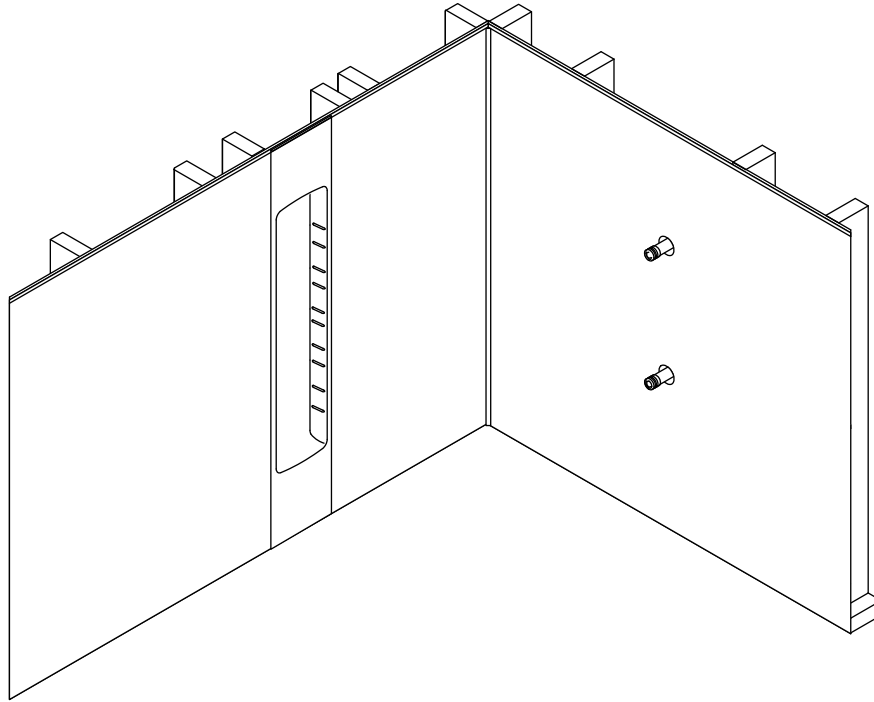
Inspect all components for damage after unpacking, prior to installation.

A router may be used to cut the walls and locker. The router bit will dull quickly.

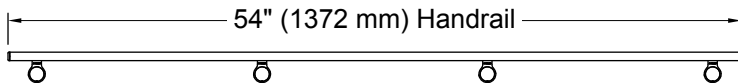
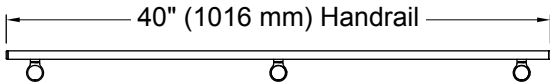
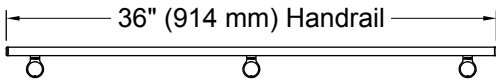
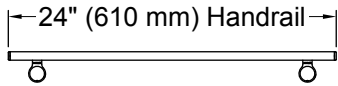
If the wall panels are being installed over existing tile, scuff the tile using 100 grit sandpaper for better adhesive contact.

If installing accessories, install 2x4 backing for handrails, shelves, and hooks.

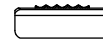
Plan the Installation



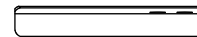
Accessories



Shelf



Shelf



Shelf



Hook



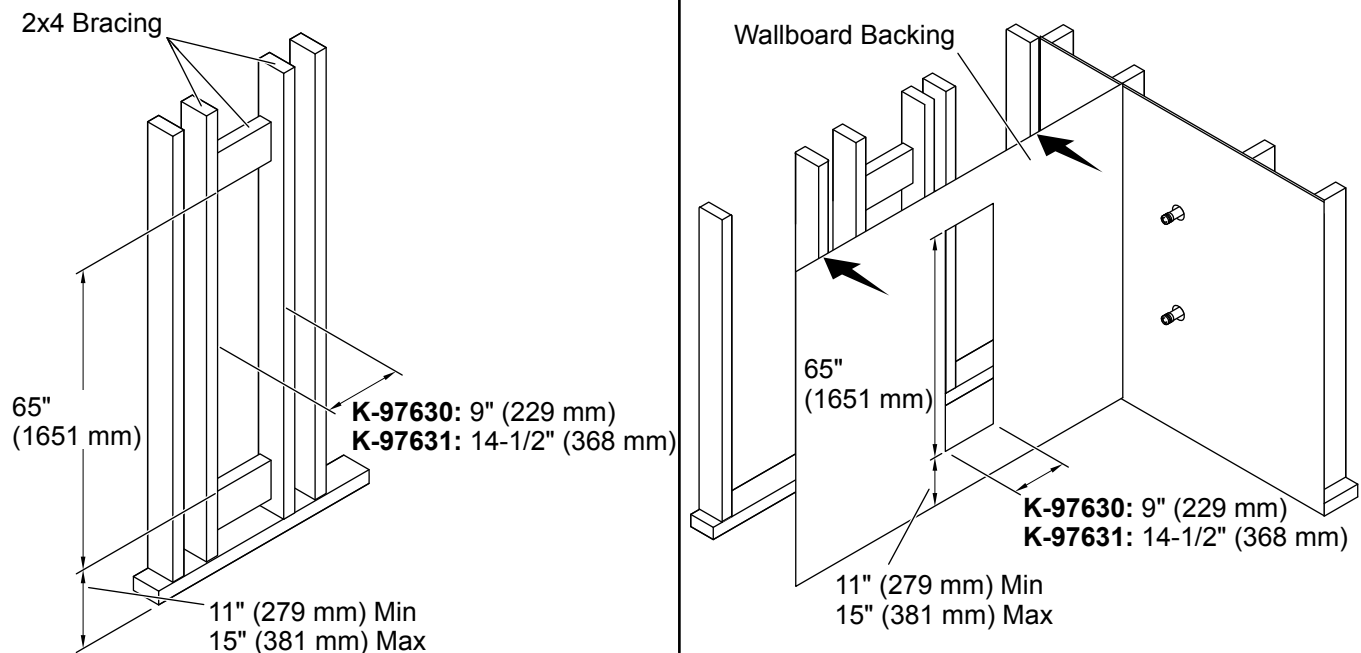
NOTE: Determine which accessories will be installed and where before installing wallboard backing material, as accessories may require wood bracing.

Install any required bracing.

2x4 bracing is required for the hook unless the hook is installed into the studding.

2x4 bracing is required for all handrails and shelves.

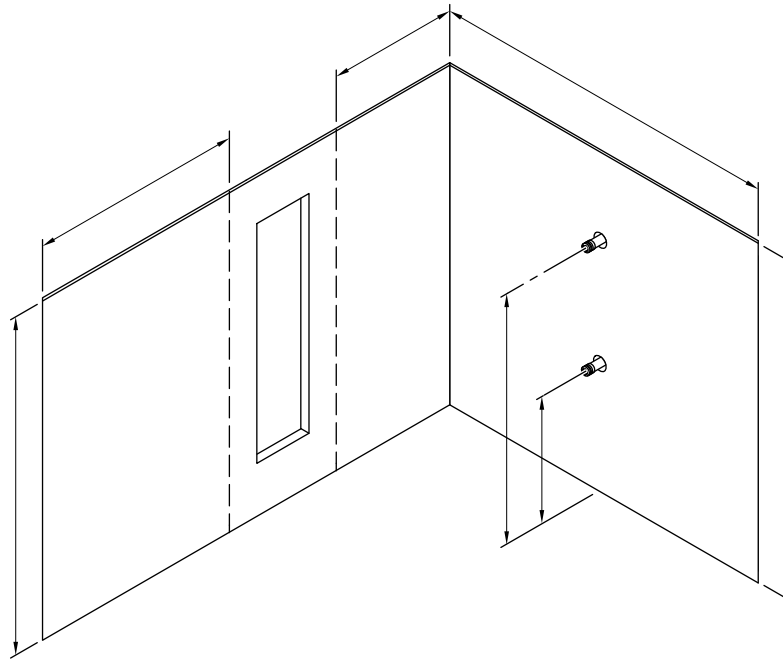
1. Prepare the Site



IMPORTANT! Waterproof wallboard backing material is recommended.

- Install the rough plumbing for the bath and shower components.
- Check the studs for plumb. Studs should be within 3/8" (10 mm) of plumb. Shim if necessary.
- The ledge of the locker unit can be used as a footrest. The recommended footrest height is 12" (305 mm) to 16" (406 mm), from the floor of the shower to the ledge of the locker unit.
- Determine the height of the enclosure and the locker unit.
- Install 2x4 bracing where the locker unit will be placed following the dimensions shown above.
- To determine the height of the bottom bracing, subtract 1" (25 mm) from the desired height of the footrest.
- Install backing support for all accessories that require additional support. Refer to the installation guides packed with each product for specific installation needs.
- Install wallboard backing material over the locker unit opening with the same dimensions as the 2x4 bracing cutout.

2. Measure Components



- Determine if edge trim will be installed. Order optional edge trim as needed.
- Measure the installation area to determine the cut dimensions for the panel(s).

Back Wall Measurement

- Subtract half the total width of the locker unit from the width of each back wall panel.
- If corner joints will be installed, subtract 1/16" (2 mm) from the width of the wall panels for each corner joint.
- Mark the cut-lines on the back side of the wall panel(s).

Side Wall Measurement

- If corner joints will be installed, subtract 5/16" (8 mm) from the width of each wall panel before cutting.
- Record the location of the handle, showerhead, bath spout, and other components.
- Mark the cut-lines on the back side of the wall panel(s).

3. Installation With Ceiling Panels (Optional)

 **CAUTION: Risk of personal injury.** For ceiling panel installations, install the ceiling panel and allow the adhesive to cure before installing the wall panels. The ceiling could fall during wall panel installation if curing time is not sufficient.

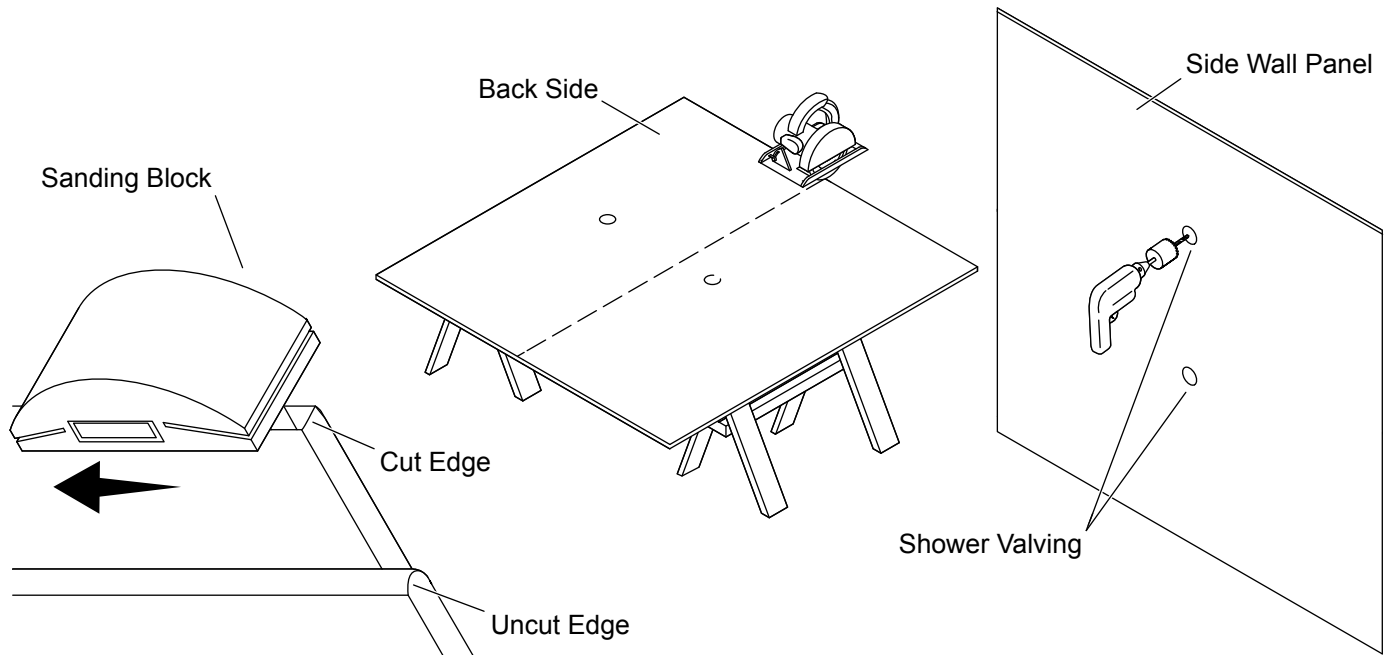
NOTE: Two people are required if installing a ceiling panel.

- If the ceiling will be covered with the panel material, measure and cut the ceiling panel to size.
- Construct bracing or use commercial bracing to hold the ceiling material in place while it cures.

NOTE: Polyurethane based adhesive is recommended for the ceiling panel.

- Apply adhesive specified in the wall panel instructions to the ceiling material as shown in "Install the First Wall Panel" section.
- With another person, carefully lift the ceiling panel into place.
- Brace the ceiling panel tight against the ceiling and allow the ceiling panel to cure following the adhesive instructions.

4. Trim the Locker and Walls



IMPORTANT! The cut edges of the wall panels **MUST** be positioned opposite the locker unit. The vertical edge of the locker unit **MUST** mate to an uncut, bevel molded edge on the wall panels.

IMPORTANT! Follow the cutting instructions provided with the wall panels.

IMPORTANT! Do not cut the sides of the locker unit. Only trim the top or bottom to fit your wall length.

IMPORTANT! The locker unit must be placed with the shelf grooves angled upward. If the locker unit is placed upside down the shelves will fall out.

- Position the back wall panel face down on a stand or sawhorses that have a protective material on them.
- Cut the back wall panel to the required dimensions.
- Repeat for the side wall panels.
- From the front side of the panel, use a hole saw to cut the holes for valving and other shower components.

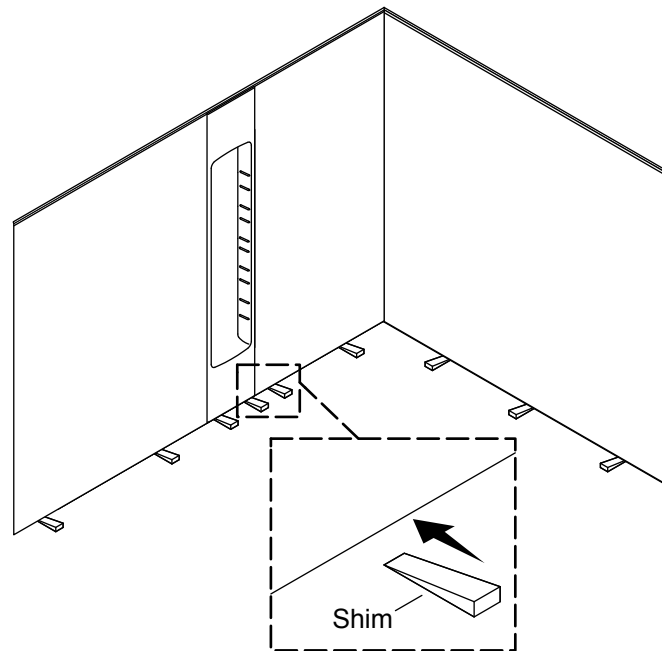
NOTE: Remove any protective films on the locker unit surface before cutting.

- Cut the locker unit to the required height dimensions using a fine toothed blade.

IMPORTANT! It is critical the wall panels and locker unit are clean for a strong bond to be created by the adhesive.

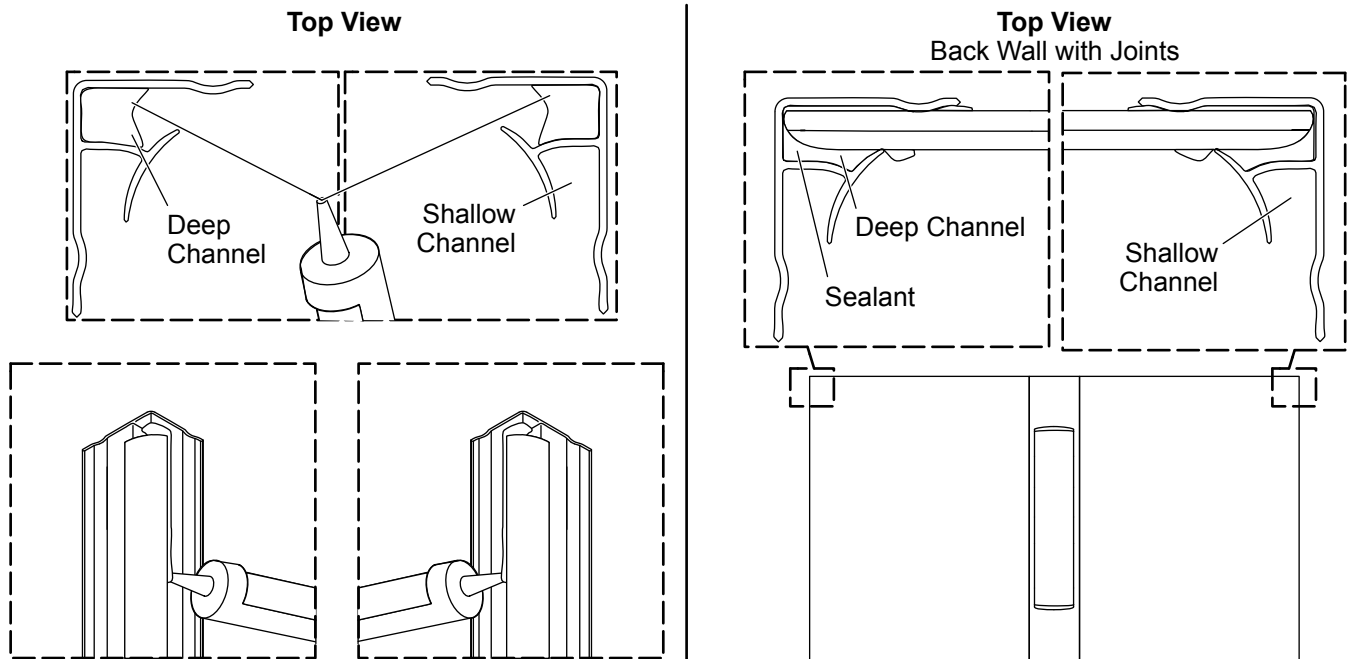
- On the edges of each panel, remove excess material and smooth any rough edges using a sanding block.
- Clean the back of the wall panels and locker unit with denatured alcohol.

5. Dry Fit the Locker and Walls



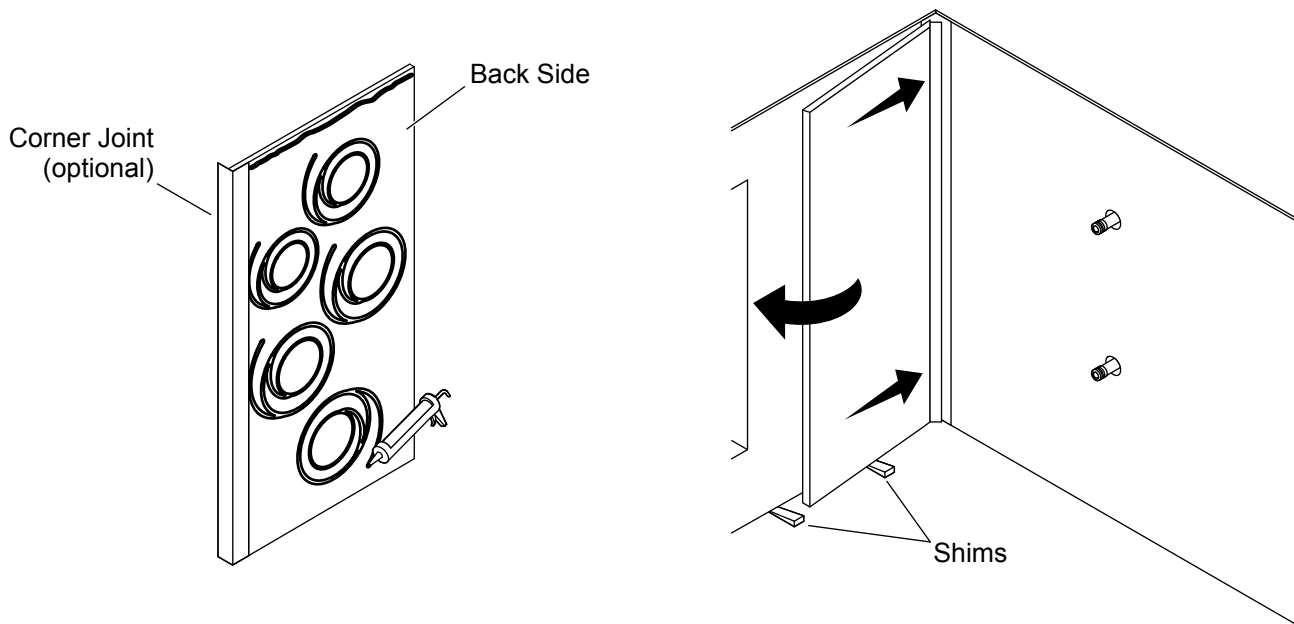
- Dry fit the corner joints to the back wall panels if they are being installed. See "Install the Corner Joints (Optional)" for correct orientation.
- Dry fit the locker unit, back, and side wall panels with shims to confirm fit. Adjust as needed.
- Remove the wall panels and locker unit. Remove the corner joints.

6. Install the Corner Joints (Optional)



- Measure the height of the back wall panel.
- Cut the corner joint to the height of the back wall panel using a small rotary tool with a cutting wheel.
- Apply color matched 100% silicone sealant in the deep channel on the corner joint. Apply enough sealant to fill 1/2 of the channel.
- Install the deep channel of the corner joint onto the side of the back wall panel.
- Do Not** apply sealant or install the second corner joint until you are ready to install the second back wall panel.

7. Install the First Wall Panel



NOTE: Use silicone adhesive if the wall panels are being installed over tile. For all other applications, use the adhesive type specified in the instructions included with the shower walls.

- Apply adhesive to the back wall panel in a circular pattern. The beads of adhesive should be 5" (127 mm) to 7" (178 mm) apart.
- Apply a bead of adhesive along the top edge of the wall panel 3/4" (19 mm) from the edge.
- Move the wall panel into place at a slight angle with the corner joint, if installed, fully pressed into the corner.
- Push the panel against the rough wall. Press firmly and evenly across the entire wall. The panel should contact the rough wall completely.

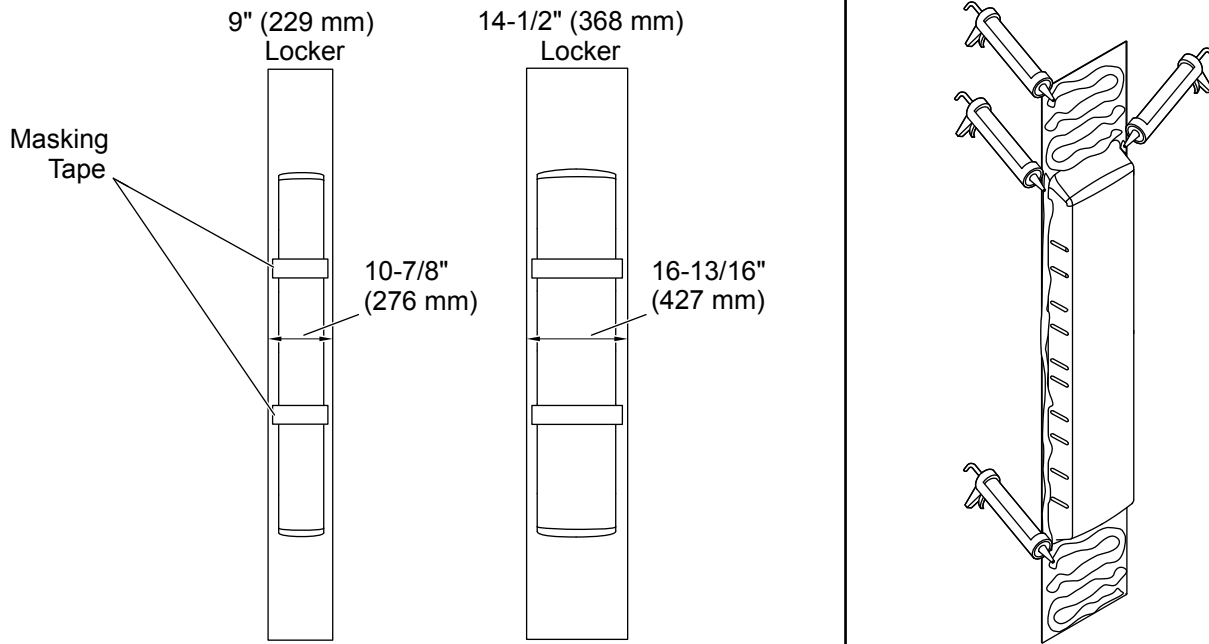
TIP: To remove excess adhesive, spray denatured alcohol on the area to be cleaned and onto your finger. The denatured alcohol will help make the removal of the adhesive easier.

- Remove excess adhesive with your finger.

NOTE: Bracing may be needed to hold the wall panel in place depending on the rough wall material and adhesive being used.

- When installed over tile, use a temporary brace to secure each wall panel in place for 48 hours to allow full adhesion.

8. Prepare the Locker Unit

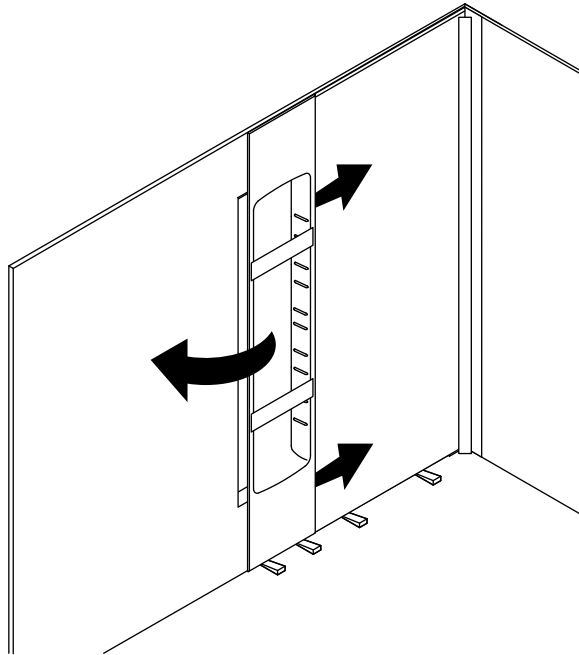


- Run two pieces of masking tape across the front of the locker unit, pulling the sides in until the center of the locker unit is at the dimensions shown above.
- Test the shelf fit in the set of grooves just above and below the taped areas of the locker unit. Verify that the shelf fits tight. If the fit of the shelf is loose, tighten the tape across the locker unit until a snug fit is achieved.
- Leave the tape in place until the final step of the installation.
- Clean the back of the locker unit with denatured alcohol and sand the back of the locker with 120 grit sandpaper to promote adhesion.

TIP: Urethane based adhesive may be more effective for locker unit adhesion.

- Generously apply bath and shower construction adhesive or silicone adhesive to the back of the locker unit on the top, bottom, and sides.

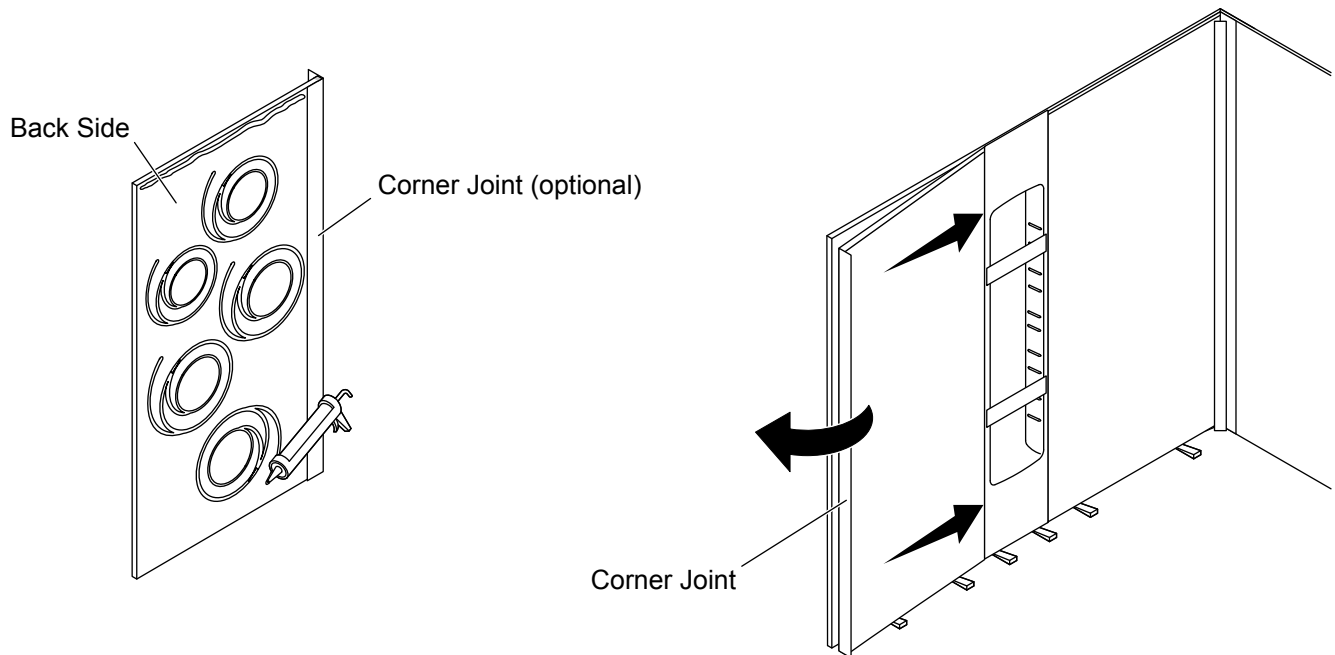
9. Install the Locker Unit



IMPORTANT! The locker unit must be placed with the shelf grooves angled upward. If the locker unit is placed upside down the shelves will fall out.

- Position the locker unit into place at a slight angle.
- Push the locker unit against the installed wall panel and into the rough wall. Press firmly and evenly across the entire locker unit.

10. Install the Second Wall Panel



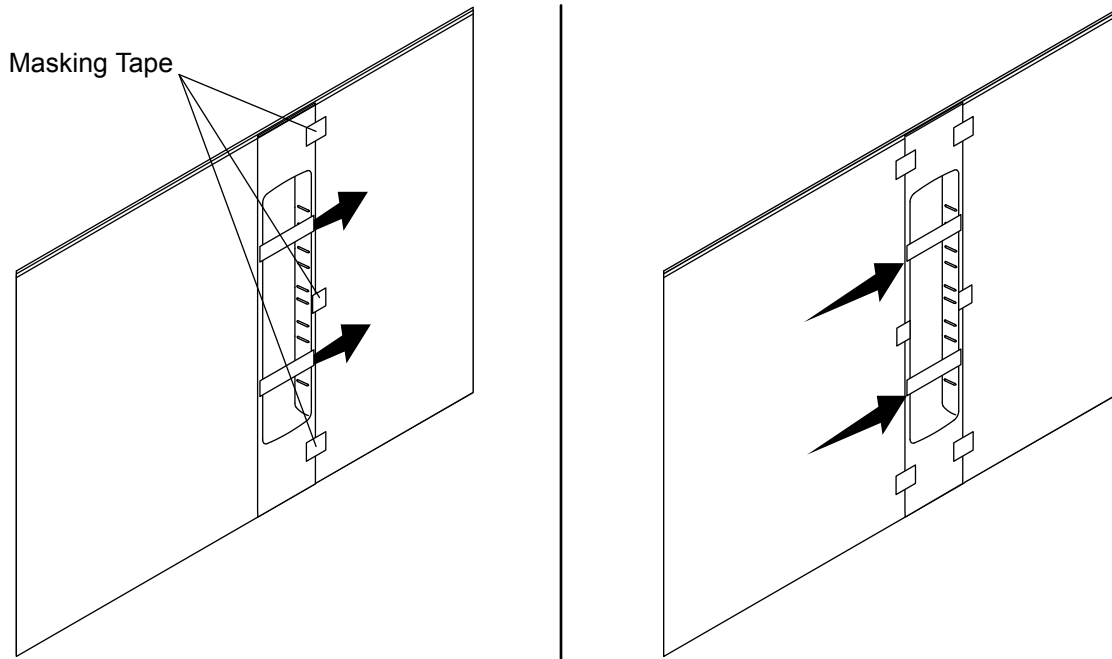
NOTE: Use silicone adhesive if the wall panels are being installed over tile. For all other applications, use the adhesive type specified in the instructions included with the shower walls.

- Apply adhesive to the back wall panel in a circular pattern. The beads of adhesive should be 5" (127 mm) to 7" (178 mm) apart.
- Apply a bead of adhesive along the top edge of the wall panel 3/4" (19 mm) from the edge.
- Move the wall panel into place at a slight angle with the corner joint, if installed, fully pressed into the corner.
- Push the panel against the rough wall. Press firmly and evenly across the entire wall. The panel should contact the rough wall completely.
- Remove excess adhesive with your finger.

NOTE: Bracing may be needed to hold the wall panel in place depending on the rough wall material and adhesive being used.

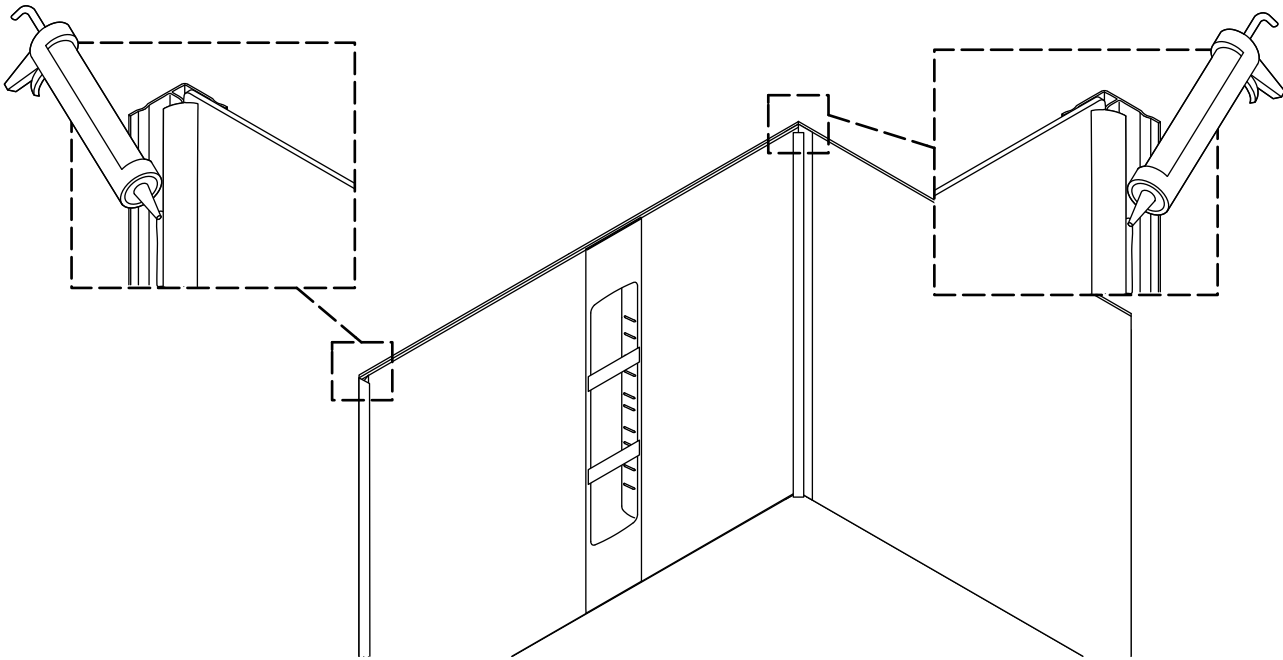
- When installed over tile, use a temporary brace to secure each wall panel in place for 48 hours to allow full adhesion.

11. Check the Locker Unit Fit



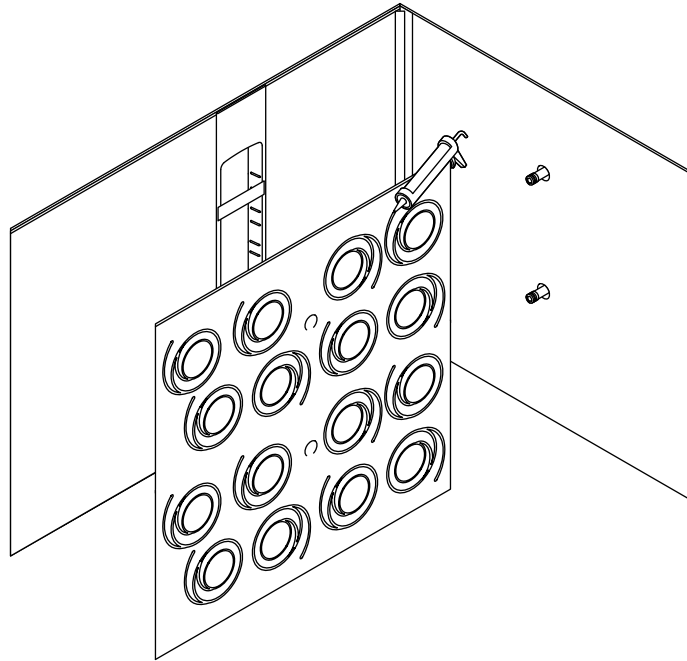
- Use masking tape to pull the locker unit into the first back wall panel to remove any gaps.
- Verify the locker unit is flush with the edge of the wall panel along the entire area.
- Repeat with the second back wall panel. Use masking tape to pull the second back wall panel into the locker unit to remove any gaps.
- Verify the wall panel is flush with the edge of the locker unit along the entire area.
- Confirm the locker unit contacts the edges of both back wall panels along the entire area and no gaps are present.

12. Prepare the Corner Joints (Optional)



- Apply color matched sealant in the shallow channel groove on the corner joint. Apply enough sealant to fill 1/2 of the groove.
- Do Not** apply sealant to the second corner joint until you are ready to install the second side wall panel.

13. Install the Side Wall Panels



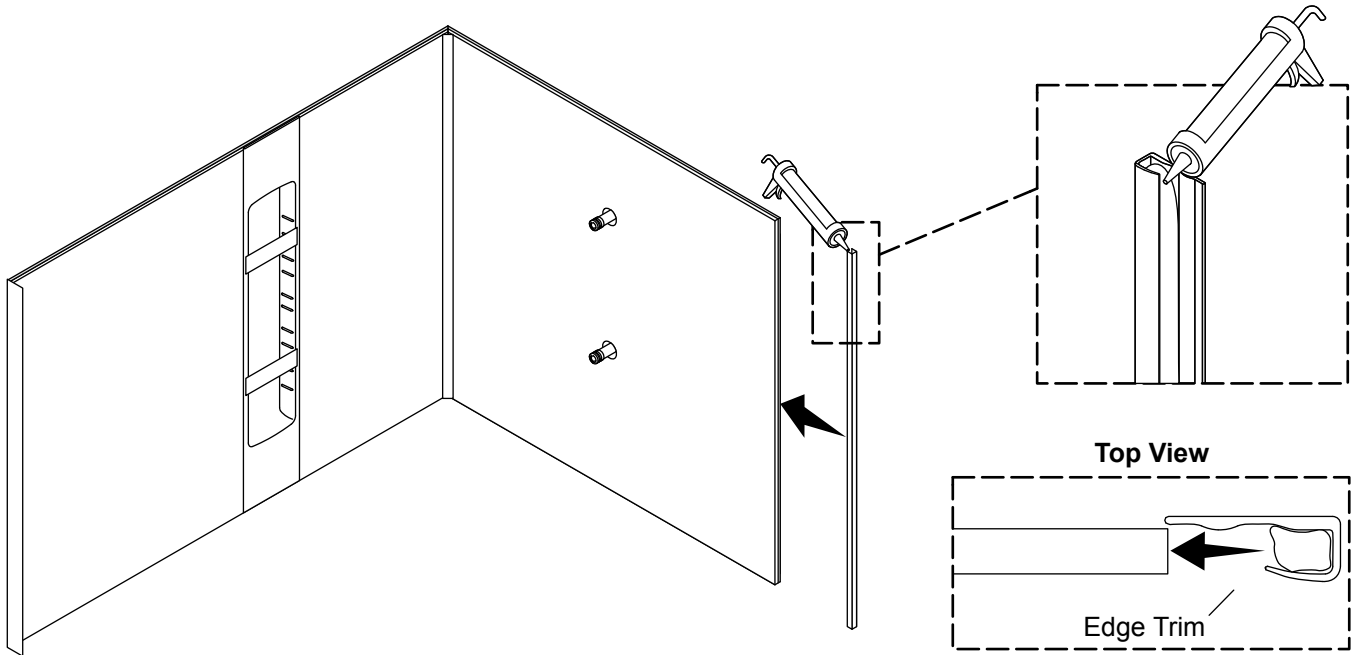
NOTE: Use silicone adhesive if the wall panels are being installed over tile. For all other applications, use the adhesive type specified in the instructions included with the shower walls.

- Apply adhesive to the side wall panel in a circular pattern. The beads of adhesive should be 5" (127 mm) to 7" (178 mm) apart.
- Apply a bead of adhesive along the edges of the wall panel 3/4" (19 mm) from the edge.
- Move the wall panel into place at a slight angle, pressing the wall panel into the corner joint, if installed.
- Push the wall panel against the rough wall. Press firmly and evenly across the entire wall panel. The wall panel should contact the rough wall along the entire area.
- Remove excess adhesive with your finger.

NOTE: Bracing may be needed to hold the wall panel in place depending on the rough wall material and adhesive being used.

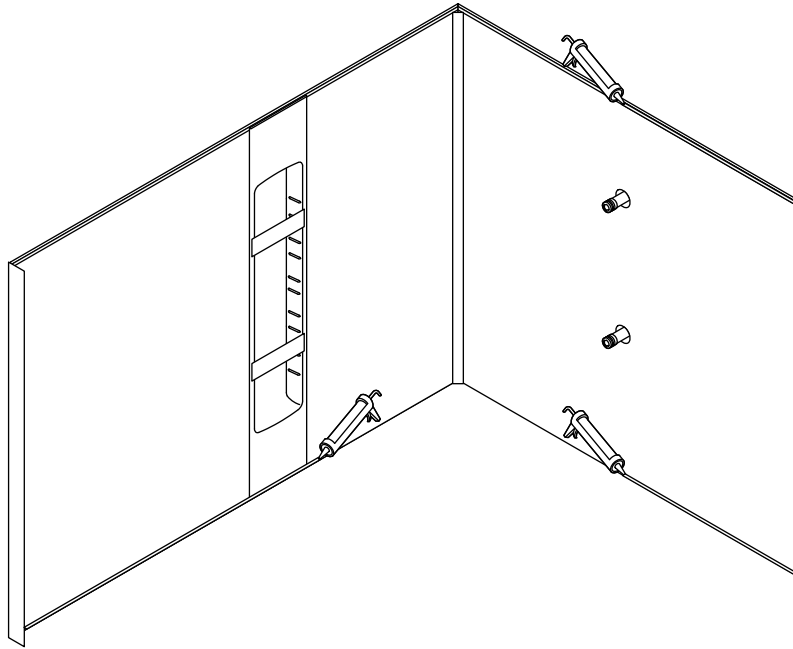
- When installed over tile, use a temporary brace to secure each wall panel in place for 48 hours to allow full adhesion.
- Repeat these steps with the second side of the enclosure.

14. Install the Edge Trim (Optional)



- If installing edge trim on the outside edges of the wall panel, measure the wall panel height.
- Transfer the measurement to the edge trim.
- Cut the edge trim.
- Apply color matched silicone sealant to the edge trim channel.
- Install the edge trim to the outside edge of the wall panel.
- Repeat for the second side.
- Remove the excess sealant with your finger.

15. Seal the Enclosure



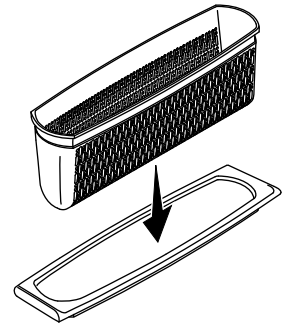
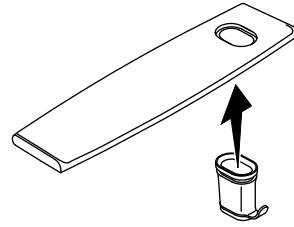
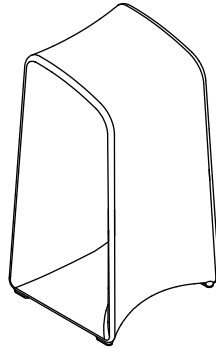
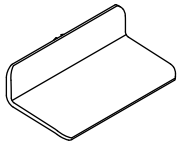
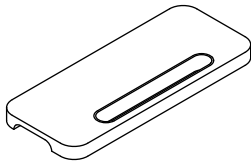
IMPORTANT! For better adhesion success, allow the panels to cure 24 to 48 hours before performing the final steps. Sealing the top and bottom will restrict air flow, resulting in longer curing time.

- Apply color matched silicone sealant to the top seams where the wall panels and locker unit meet the rough wall.
- Apply sealant to the bottom seams where the wall panels and locker unit meet the bath or shower base.

NOTE: Wait 24 hours before showering or running water.

- Remove the tape from the locker unit once the adhesive and sealant on the locker unit and wall panels have cured.

16. Complete the Installation



- Install all accessories following the instructions packed with the products.
- Prepare the shelves with accessories.
- Press the hook into the shelf as shown above.
- Press the basket into the shelf as shown above.

TIP: When preparing the two shelves, use water and soap to guide the hook and basket into the shelves with ease.

- Install the shelves into the locker unit.