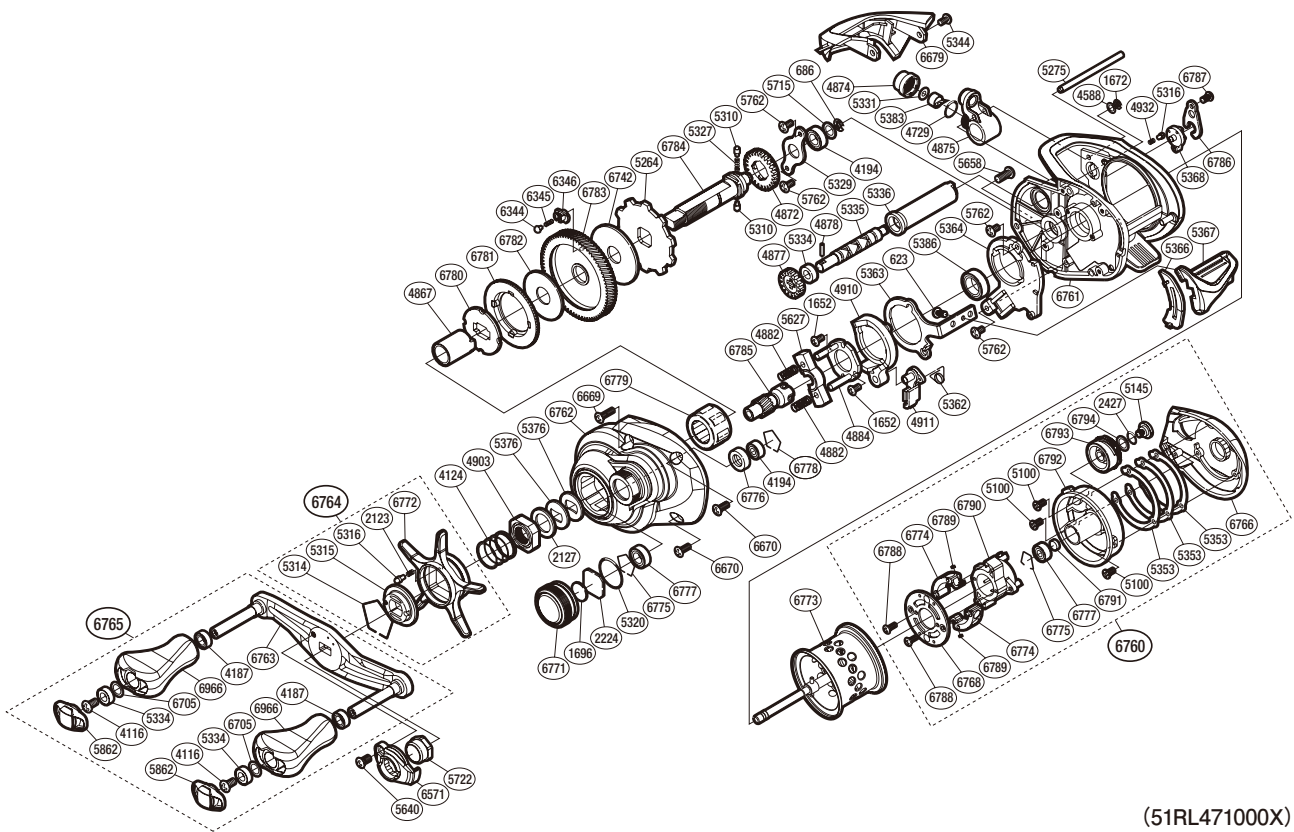


# SHIMANO

## CURADO

## CUBFSXGL



(51RL471000X)

#	Part No.	Description	#	Part No.	Description	#	Part No.	Description
0623	103C0	Screw	5320	10R22	O Ring	6761	101P7	Frame Assembly
0686	105NK	E Lock	5327	10JDY	Idle Gear Spring	6762	10QUL	Left Side Plate Assembly
1652	10LVE	Screw	5329	109T1	Drive Shaft Retainer	6763	10DFQ	Handle Shank Assembly
1672	105NC	E Lock	5331	104TX	Spacer	6764	10DG8	Star Drag Assembly
1696	10896	Cast Control Spacer (B)	5334	10PXZ	Bushing	6765	10QUJ	Handle Assembly
2123	10BT2	Click Spring	5335	10TPP	Worm Shaft	6766	10S4J	Right Side Plate
2127	10J1N	Star Drag Spacer	5336	10R10	Level Wind Guard	6768	10S4K	Brake Set Plate
2224	1085F	Cast Control Spacer (A)	5344	10MPD	Screw	6771	10S4C	Cast Control Cap
2427	108WS	O Ring	5353	10R0U	Washer	6772	10S4D	Star Drag
4116	103E9	Screw	5362	10TMC	Clutch Pawl Spring	6773	10DGA	Spool Assembly
4124	10A70	Star Drag Spring	5363	10TME	Clutch Plate	6774	10DPG	Magnet Holder Assembly
4187	104VX	Ball Bearing	5364	10TMU	Clutch Guard	6775	101V5	Bearing Retainer A
4194	105BP	Ball Bearing	5366	10TMF	Clutch Bar Guide B	6776	101V3	Bearing Spacer
4588	10FJZ	Washer	5367	10TMD	Clutch Button	6777	10KDE	Ball Bearing
4729	108WQ	O Ring	5368	1019C	B Side Plate Cam Lever	6778	101V6	Bearing Retainer B
4867	10CCN	Roller Clutch Inner Tube	5376	109F5	Washer	6779	10F5D	Roller Clutch Bearing
4872	10J47	Idle Gear A	5383	10BHQ	Line Guide Pawl	6780	10DQL	Key Washer
4874	10FJB	Pawl Cap	5386	10EX6	Ball Bearing	6781	10JB0	Drag Click Ratchet
4875	10NVQ	Line Guide Assembly	5627	10DQC	Yoke	6782	10DQJ	Drag Washer A
4877	10FNV	Idle Gear C	5640	101VV	Screw	6783	101KN	Drive Gear
4878	10AEZ	Worm Shaft Pin	5658	10LFL	Screw	6784	10DQH	Drive Shaft
4882	10487	Yoke Spring	5715	10G6D	Washer	6785	101KP	Pinion Gear
4884	10F3X	Clutch Cam Retainer	5722	101DW	Handle Nut	6786	10RYX	Cam Lever Retainer
4903	10A3U	Star Drag Nut	5762	10S57	Screw	6787	1055H	Screw
4910	10K0P	Clutch Cam	5862	10TNJ	Handle Knob Seal	6788	10TNZ	Screw
4911	10MQM	Clutch Pawl Assembly	6344	10C0T	Drag Click	6789	10TM9	Brake Spring
4932	10GQZ	Click Spring	6345	10J8A	Click Spring	6790	101CM	Brake Holder
5100	1055J	Screw	6346	10J87	Drag Click Pin Holder	6791	1085H	Spacer
5145	10A6K	Screw	6571	1017T	Handle Nut Plate	6792	101KL	Dial Case
5264	10D73	Anti-Reverse Ratchet	6669	10LCW	Screw	6793	1019A	Brake Dial
5275	10QSH	Stabilizer Bar	6670	10MPV	Screw	6794	10DGC	Washer
5310	10HJG	Idle Gear Pin	6679	1007D	Level Wind Protector	6966	10328	Handle Knob
5314	10KXW	Click Plate Retainer	6705	1020Z	Washer			
5315	10R3K	Star Drag Click Plate	6742	10DQK	Drag Washer B			
5316	10MFC	Click Pin	6760	10DG9	Right Side Plate Assembly			

Please note that the number of adjusting washers may not be the same as shown in the exploded views.  
(Adjustment will vary with each individual product.)

(230828)\_005