



ITM. / ART. 2582826  
MODEL / MODÈLE / MODELO: PB600PS1  
PART / PIÈCE / PARTE: 10740

# PRO SERIES

## WOOD PELLET GRILL & SMOKER

IMPORTANT, READ CAREFULLY, RETAIN FOR FUTURE REFERENCE. MANUAL MUST BE READ BEFORE OPERATING!

## GRIL & FUMOIR À GRANULES DE BOIS

IMPORTANT, PRENEZ CONNAISSANCE DE CE DOCUMENT ET CONSERVEZ-LE POUR RÉFÉRENCE ULTÉRIEURE VOUS DEVEZ LIRE CE GUIDE AVANT D'UTILISER LE BARBECUE !

## ASADOR Y AHUMADOR DE PELLETS DE MADERA

IMPORTANTE, LEA DETENIDAMENTE, CONSERVE PARA REFERENCIA FUTURA. ¡DEBE LEER EL MANUAL ANTES DE LA OPERACIÓN!



# PB600PS1

82-260°C / 180-500°F

**WARNING:** PLEASE READ THE ENTIRE MANUAL BEFORE INSTALLATION AND USE OF THIS ELECTRIC, PELLET FUEL-BURNING APPLIANCE. FAILURE TO FOLLOW THESE INSTRUCTIONS COULD RESULT IN PROPERTY DAMAGE, BODILY INJURY OR EVEN DEATH. CONTACT LOCAL BUILDING OR FIRE OFFICIALS ABOUT RESTRICTIONS AND INSTALLATION INSPECTION REQUIREMENTS IN YOUR AREA.

**AVERTISSEMENT:** VEUILLEZ LIRE L'INTÉGRALITÉ DU MANUEL AVANT L'INSTALLATION ET L'UTILISATION DE CET APPAREIL ÉLECTRONIQUE À GRANULES. LE NON-RESPECT DE CES INSTRUCTIONS PEUT ENTRAÎNER DES DOMMAGES AUX BIENS, DES BLESSURES OU MÊME LA MORT. COMMUNIQUEZ AVEC LES AUTORITÉS LOCALES EN MATIÈRE D'INCENDIE ET DE BÂTIMENT CONCERNANT LES RESTRICTIONS ET LES EXIGENCES D'INSTALLATION DANS VOTRE RÉGION.

**ADVERTENCI:** LEA EL MANUAL COMPLETO ANTES DE INSTALAR Y UTILIZAR ESTE APARATO ELÉCTRICO PARA QUEMAR PELLETS DE COMBUSTIBLE. INCUMPLIR ESTAS INSTRUCCIONES PODRÍA CAUSAR DAÑOS MATERIALES, LESIONES CORPORALES, E INCLUSO LA MUERTE. CONSULTE A SUS FUNCIONARIOS LOCALES DE CONSTRUCCIÓN Y CONTROL DE INCENDIOS PARA INFORMARSE SOBRE LAS RESTRICCIONES Y LOS REQUISITOS DE INSPECCIÓN DE INSTALACIONES EN SU REGIÓN.

## ASSEMBLY AND OPERATION ASSEMBLAGE ET FONCTIONNEMENT MONTAJE Y OPERACIÓN

FOR OUTDOOR AND HOUSEHOLD USE ONLY. NOT FOR COMMERCIAL USE.  
RÉSERVÉ À L'USAGE EXTÉRIEUR ET RÉSIDENTIEL UNIQUEMENT. NON DESTINÉ À UN USAGE COMMERCIAL.  
SOLO PARA USO EN EXTERIORES Y EN EL HOGAR. NO ES PARA USO COMERCIAL.

# SAFETY INFORMATION

## MAJOR CAUSES OF APPLIANCE FIRES ARE A RESULT OF POOR MAINTENANCE AND A FAILURE TO MAINTAIN REQUIRED CLEARANCE TO COMBUSTIBLE MATERIALS. IT IS OF UTMOST IMPORTANCE THAT THIS PRODUCT BE USED ONLY IN ACCORDANCE WITH THE FOLLOWING INSTRUCTIONS.

Please read and understand this entire manual before attempting to assemble, operate or install the product. This will ensure you receive the most enjoyable and trouble-free operation of your new wood pellet grill. We also advise you retain this manual for future reference.

### DANGERS AND WARNINGS

**You must contact your local home association, building or fire officials, or authority having jurisdiction, to obtain the necessary permits, mission or information on any installation restrictions, such as any grill being installed on a combustible surface, inspection requirements or even ability to use, in your area.**

1. A minimum clearance of 914mm (36 inches) from combustible constructions to the sides of the grill, and 914mm (36 inches) from the back of the grill to combustible constructions must be maintained. **Do not install appliance on combustible floors, or floors protected with combustible surfaces unless proper permits and permissions are obtained by authorities having jurisdiction.** Do not use this appliance indoors, in an enclosed or unventilated area, inside homes, vehicles, tents, garages. This wood pellet appliance must not be placed under overhead combustible ceiling or overhang. Keep your grill in an area clear and free from combustible materials, gasoline and other flammable vapors and liquids.

**Should a grease fire occur, turn the grill OFF and leave the lid closed until the fire is out. Unplug the power cord. Do not throw water on the unit. Do not try to smother the fire. Use of an all-class (class ABC) approved fire extinguisher is valuable to keep on site. If an uncontrolled fire does occur, call the Fire Department.**

2. Keep electrical supply cords and the fuel away from heated surfaces. Do not use your grill in the rain or around any water source.
3. After a period of storage, or non-use, check the fire pot for obstructions, the hopper for foreign objects, and any air blockage around the fan intake or chimney. Clean before use. Regular care and maintenance is required to prolong the lifespan of your unit. **If the grill is stored outside during the rainy season or seasons of high humidity, care should be taken to insure that water does not get into the hopper.** When wet or exposed to high humidity, wood pellets will expand greatly, decompose, and may jam the feed system. Always disconnect the power, before performing any service or maintenance.

**Do not transport your grill while in use or while the grill is hot. Ensure the fire is completely out and that the grill is completely cool to the touch before moving.**

4. It is recommended to use heat-resistant barbecue mitts or gloves when operating the grill. Do not use accessories not specified for use with this appliance. Do not put a barbecue cover or anything flammable in the storage space area under the barbecue.
5. To prevent fingers, clothing or other objects from coming in contact with the auger feed system, the appliance is equipped with a metal safety screen, mounted to the interior of the hopper. This screen must not be removed unless directed by Customer Service or an authorized dealer.

**This appliance is not recommended for children, persons with reduced physical, sensory or mental capabilities, or lack of experience and knowledge, unless they are under direct supervision or instruction by a person responsible for their safety.**

6. Parts of the barbecue may be very hot, and serious injury may occur. Keep young children and pets away while in use.
7. Do not enlarge ignitor holes or fire pots. Failure to follow this warning could lead to a fire hazard and bodily harm and will void your warranty.
8. Product may have sharp edges or points. Contact may result in injury. Handle with care.

## DISPOSAL OF ASHES

Ashes should be placed in a metal container with a tight-fitting lid. The closed container of ashes should be placed on a non-combustible floor or on the ground, well away from all combustible materials, pending final disposal. When ashes are disposed by burial in soil, or otherwise locally dispersed, they should be retained in a closed container until all cinders have thoroughly cooled.

## WOOD PELLET FUEL

This pellet cooking appliance is designed and approved for pelletized, all natural, wood fuel only. Any other type of fuel burned in this appliance will void the warranty and safety listing. You must only use all natural wood pellets, designed for burning in pellet barbecue grills. Do not use fuel with additives. Wood pellets are highly susceptible to moisture and should always be stored in an airtight container. If you are storing your grill, without use, for an extended period, we recommend clearing all pellets from your grill's hopper and auger, to prevent jams. The pellet fuel mean heating value in 8000-8770 BTU/LB, ash content < 1%.

**Do not use spirit, petrol, gasoline, lighter-fluid or kerosene for lighting or refreshing a fire in your grill. Keep all such liquids well away from the appliance when in use.**

At the time of printing, there is no industry standard for barbecue wood pellets, although most pellet mills use the same standards to make wood pellets for domestic use. Further information, can be found at [www.pelletheat.org](http://www.pelletheat.org) or the *Pellet Fuel Institute*.

Contact your local dealer on the quality of pellets in your area, and for information on brand quality. As there is no control over the quality of pellets used, moisture affected pellets, we assume no responsibility to damage caused by poor quality of fuel.

## CREOSOTE

Creosote, or soot, is a tar-like substance. When burning, it produces black smoke with a residue which is also black in color. Soot or creosote is formed when the appliance is operated incorrectly, such as: blockage of the combustion fan, failure to clean and maintain the burn area, or poor air-to-fuel combustion.

It is dangerous to operate this appliance should the flame become dark, sooty, or if the fire pot is overfilled with pellets. When ignited, this creosote makes an extremely hot and uncontrolled fire, similar to a grease fire. Should this happen, turn the unit OFF, let it cool completely, then inspect for maintenance and cleaning. It commonly accumulates along exhaust areas.

If creosote has formed within the unit; allow the unit to warm up at a low temperature, turn off the appliance, then wipe away any formation with a hand towel. Similar to tar, it is much easier to clean when warm, as it becomes liquid.

## CARBON MONOXIDE ("THE SILENT KILLER")

Carbon monoxide is a colorless, odorless, tasteless gas produced by burning gas, wood, propane, charcoal or other fuel. Carbon monoxide reduces the blood's ability to carry oxygen. Low blood oxygen levels can result in headaches, dizziness, weakness, nausea, vomiting, sleepiness, confusion, loss of consciousness or death. Follow these guidelines to prevent this colorless, odorless gas from poisoning you, your family, or others:

- See a doctor if you or others develop cold or flu-like symptoms while cooking or in the vicinity of the appliance. Carbon monoxide poisoning, which can easily be mistaken for a cold or flu, is often detected too late.
- Alcohol consumption and drug use increase the effects of carbon monoxide poisoning.

Carbon monoxide is especially toxic to mother and child during pregnancy, infants, the elderly, smokers, and people with blood or circulatory system problems, such as anemia, or heart disease.

## SAFETY LISTING

In accordance with the procedures and specifications listed in the UL 2728A-2019 "pellet fuel burning cooking appliances" and ULC/ORD C2728-19 "pellet fuel burning equipment." Pit Boss® Grills pellet cooking appliances have been independently tested and listed by CSA (an accredited testing laboratory) to UL and ULC standards.



### COPYRIGHT NOTICE

Copyright 2020. All right reserved. No part of this manual may be copied, transmitted, transcribed, stored in a retrieval system, in any form or by any means without expressed written permission of,

#### **Dansons**

3411 North 5th Avenue, Suite 500, Phoenix, AZ, USA 85013  
sales@pitboss-grills.com | service@pitboss-grills.com  
**www.pitboss-grills.com**

#### **Customer Service**

Monday through Sunday, 4am - 8pm PST (EN/FR/ES)  
**Toll-Free: 1-877-303-3134, Fax: 1-877-303-3135**

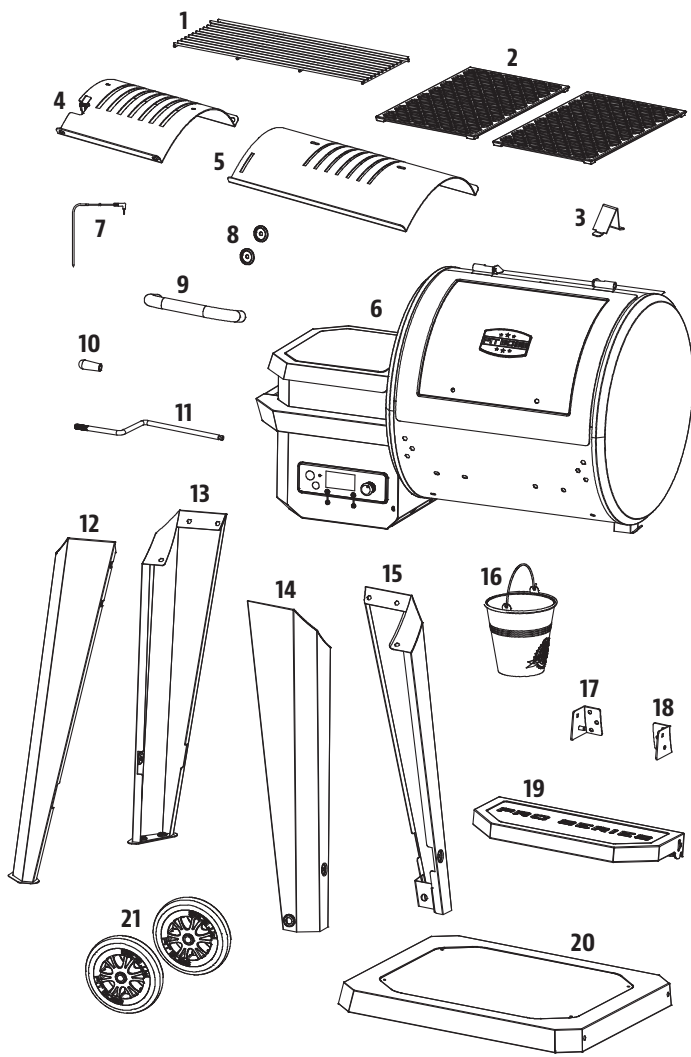
# TABLE OF CONTENTS

Safety Information .....	2	Care & Maintenance .....	18
Parts & Specs.....	6	Using Wood Pellet Fuel.....	19
Assembly Preparation.....	7	Cooking Guidelines.....	20
Assembly Instructions		Tips & Techniques .....	22
Mounting Legs To Main Barrel .....	7	Troubleshooting .....	23
Installing The Bottom Shelf .....	8	Electrical Wire Diagram .....	25
Adding Wheels To The Cart.....	8	Replacement Parts	
Installing The Cart Front Panel.....	8	Grill Replacement Parts .....	26
Securing The Lid Stopper .....	8	Hopper Replacement Parts.....	27
Installing The Lid Handle.....	9	Warranty	
Securing The Front Shelf Brackets.....	9	Conditions.....	27
Installing The Front Shelf .....	9	Exceptions.....	28
Installing The Flame Broiler Components .....	10	Ordering Replacement Parts .....	28
Installing The Cooking Components .....	11	Contact Customer Service .....	28
Placing The Grease Bucket.....	11	Warranty Service .....	28
Connecting To A Power Source.....	11	Recipes .....	29
Operating Instructions			
Grill Environment .....	12		
Grill Temperature Ranges.....	13		
Understanding The Control Board .....	14		
Understanding The Probes .....	15		
Understanding The "P" Setting .....	15		
Hopper Priming Procedure .....	16		
First Use – Grill Burn-Off.....	16		
Automatic Start-Up Procedure.....	16		
Manual Start-Up Procedure .....	17		
Shutting Off Your Grill.....	17		

# PARTS & SPECS

ENGLISH

Part#	Description
1	Porcelain-Coated Steel Upper Cooking Rack (x1)
2	Porcelain-Coated Cast-Iron Cooking Grid (x2)
3	Lid Stopper (x1)
4	Flame Broiler Slider (x1)
5	Flame Broiler Main Plate (x1)
6	Main Barrel / Hopper Assembly (x1)
7	Meat Probe (x1)
8	Lid Handle Bezel (x2)
9	Lid Handle (x1)
10	Flame Broiler Adjusting Bar Handle (x1)
11	Flame Broiler Adjusting Bar (x1)
12	Left Support Leg - Front (x1)
13	Left Support Leg - Back (x1)
14	Right Support Leg - Front (x1)
15	Right Support Leg - Back (x1)
16	Grease Bucket (x1)
17	Front Shelf Bracket / Left (x1)
18	Front Shelf Bracket / Right (x1)
19	Front Shelf (x1)
20	Bottom Shelf (x1)
21	Wheel (x2)
A	Screw (x22)
B	Washer (x18)
C	Locking Washer (x16)
D	Bushing (x2)
E	Wheel Cotter Pin (x2)
F	Wheel Washer (x2)
G	Wheel Axle Pin (x2)
H	Screw (x2)
I	Nut (x2)



NOTE: Due to ongoing product development, parts are subject to change without notice. Contact Customer Service if parts are missing when assembling the unit.

**PB – ELECTRIC REQUIREMENTS**  
**110-120V, 60HZ, 250W, 3-PRONG GROUNDED PLUG**

MODEL	ASSEMBLED (WxDxH)	WEIGHT	COOKING AREA	TEMPERATURE RANGE
PB PB600PS1	961 MM x 815 MM x 1,187 MM 37.8 IN. x 32.0 IN. x 46.7 IN.	57.5 KG / 126.7 LB	MAIN - 2,651 CM <sup>2</sup> / 411 IN <sup>2</sup> UPPER RACK - 1,229 CM <sup>2</sup> / 190.5 IN <sup>2</sup> TOTAL - 3,880 CM <sup>2</sup> / 601.5 IN <sup>2</sup>	82-260°C / 180-500°F

# ASSEMBLY PREPARATION

Parts are located throughout the shipping carton, including underneath the grill. Inspect the grill, parts, and hardware blister pack after removing from the protective shipping carton. Discard all packaging materials from inside and outside of the grill before assembly, then review and inspect all parts by referencing the parts list. If any part is missing or damaged, do not attempt to assemble. Shipping damage is not covered under warranty. Contact your dealer or Pit Boss® Customer Service for parts: Monday through Sunday, 4am - 8pm PST (EN/FR/ES).

service@pitboss-grills.com | Toll-Free: 1-877-303-3134 | Toll-Free Fax: 1-877-303-3135

**IMPORTANT: To ease installation, using two people is helpful (but not necessary) when assembling this unit.**

**Tools required for assembly:** screwdriver and level. *Tools not included.*



# ASSEMBLY INSTRUCTIONS

**IMPORTANT: It is advised to read each step entirely before starting assembly on instructions. Do not tighten screws completely until all screws for that step have been installed. Hardware combination involving a locking washer and washer should be installed with the locking washer closest to the head of the screw.**

## 1. MOUNTING THE LEGS TO THE MAIN BARREL

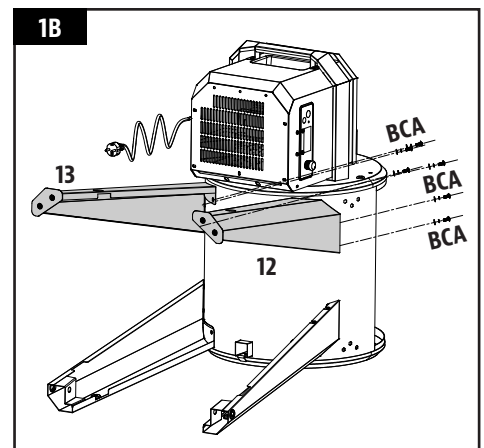
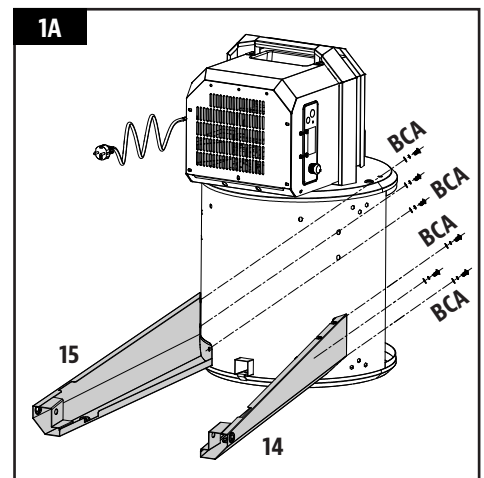
### Parts Required:

- 1 x Main Barrel /Hopper Assembly (#6)
- 1 x Left Support Leg - Front (#12)
- 1 x Left Support Leg - Back (#13)
- 1 x Right Support Leg / Front (#14)
- 1 x Right Support Leg / Back (#15)
- 12 x Screw (#A)
- 12 x Washer (#B)
- 12 x Locking Washer (#C)

### Installation:

- Place a piece of cardboard on the floor to prevent scratching the unit and parts during assembly. Lay the Main Barrel on its side on the cardboard, hopper end pointed upward.
- Mount the Front-Right Support Leg to the floor end of the Main Barrel using three screws, locking washers, and washers, through the three pre-drilled holes. Install screws from the inside of the Main Barrel. Repeat installation for Back-Right Support Leg. Note illustration 1A.
- Next, mount the Front-Left Support Leg to the hopper end of the Main Barrel using three screws, locking washers, and washers, through the three pre-drilled holes. Install screws from the inside of the Main Barrel. Repeat installation for Back-Left Support Leg. Note illustration 1B.

**IMPORTANT: Do not tighten screws completely until bottom shelf is installed in next step.**



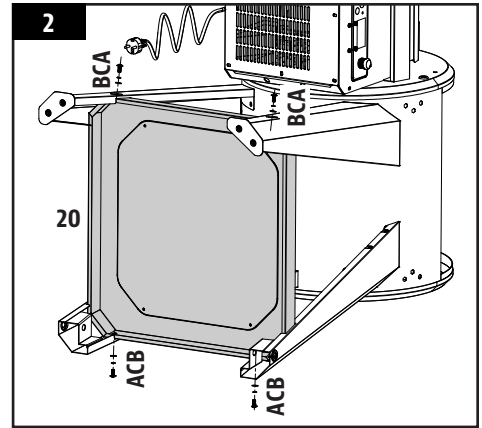
## 2. INSTALLING THE BOTTOM SHELF

### Parts Required:

- 1 x Bottom Shelf (#20)
- 4 x Screw (#A)
- 4 x Washer (#B)
- 4 x Locking Washer (#C)

### Installation:

- Mount the Bottom Shelf to each Support Leg using a screw, locking washer, and washer. Ensure the flat surface of the shelf is facing up towards the Grill Barrel.



## 3. ADDING WHEELS TO THE CART

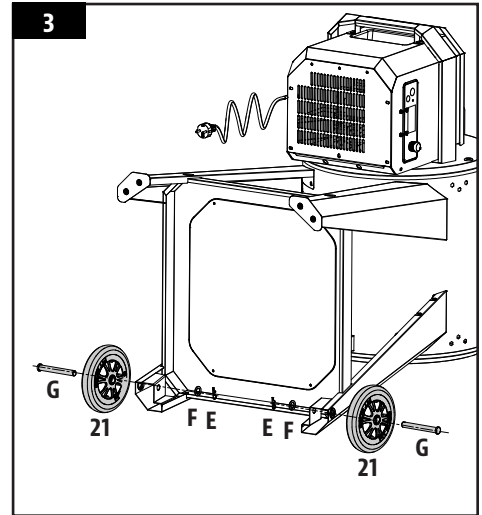
### Parts Required:

- 2 x Wheel (#21)
- 2 x Wheel Cotter Pin (#E)
- 2 x Wheel Washer (#F)
- 2 x Wheel Axle Pin (#G)

### Installation:

- Attach each Wheel to each Right Support Leg by inserting the Wheel Axle Pin through the Wheel, Support Leg hole, Wheel Washer, then secure using the Wheel Cotter Pin.
- Once the shelf is secure, carefully lift the grill into an upright position.

**IMPORTANT: Re-tighten the support leg screws to ensure they are completely secure after positioning the grill upright.**



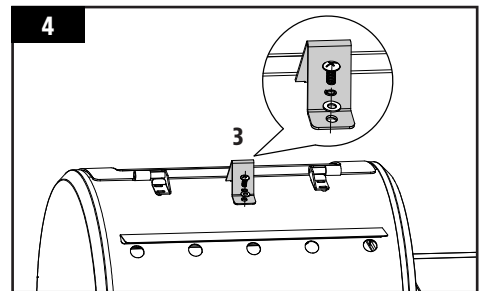
## 4. SECURING THE LID STOPPER

### Parts Required:

- 1 x Lid Stopper (#3)

### Installation:

- Secure the Lid Stopper onto the top of the Main Barrel using the pre-installed screw on top of the Main Barrel.





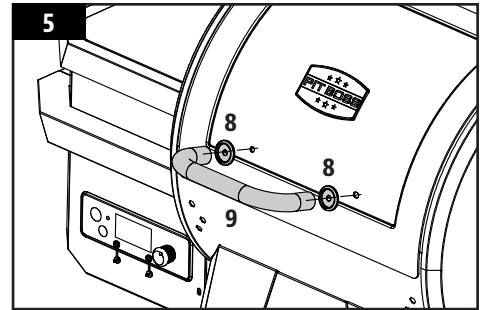
## 5. INSTALLING THE LID HANDLE

### Parts Required:

- 2 x Lid Handle Bezel (#8)
- 1 x Lid Handle (#9)

### Installation:

- Remove the pre-installed screws from the Lid Handle. From inside the barrel lid, insert one screw to protrude to the outside. Add a Lid Handle Bezel on the screw, then hand-tighten the screw (from the inside) into the Lid Handle. Repeat the same installation for the other end of Lid Handle.



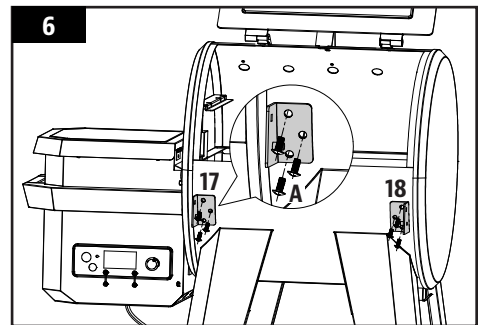
## 6. INSTALLING THE FRONT SHELF BRACKETS

### Parts Required:

- 1 x Front Shelf Bracket / Left (#17)
- 1 x Front Shelf Bracket / Right (#18)
- 6 x Screw (#A)

### Installation:

- Attach one front shelf bracket to the front of the grill barrel by using three screws. Install each screw halfway, then tighten completely when all three screws are mounted and aligned properly.
- Repeat the same installation for the other front shelf bracket.



## 7. MOUNTING THE FRONT SHELF

### Parts Required:

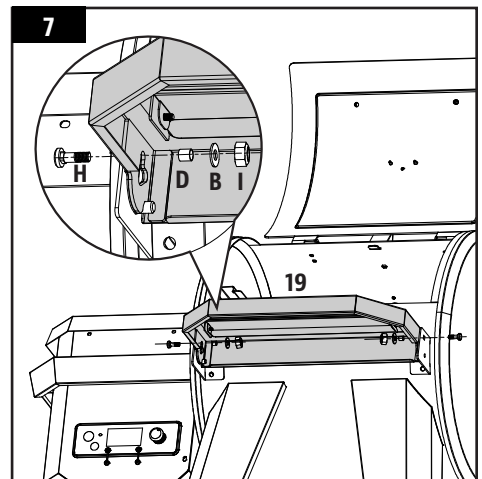
- 1 x Front Shelf (#19)
- 2 x Washer (#B)
- 2 x Screw (#H)
- 2 x Nut (#I)
- 2 x Bushing (#D)

### Installation:

- From underneath, insert the screw (from the outside) into the front shelf bracket and the front shelf, then add the bushing onto the screw, the washer, then the nut. Repeat installation for the other side of the front shelf.

**NOTE: When installed correctly, the front shelf can be raised (for use) and lowered (for storage) with ease.**

**IMPORTANT: Avoid using the shelves to move or lift the grill. The weight of the unit will cause the shelves to break, which is not covered by warranty.**



## 8. INSTALLING THE FLAME BROILER COMPONENTS

### Parts Required:

- 1 x Flame Broiler Slider (#4)
- 1 x Flame Broiler Main Plate (#5)
- 1 x Flame Broiler Adjusting Bar Handle (#10)
- 1 x Flame Broiler Adjusting Bar (#11)

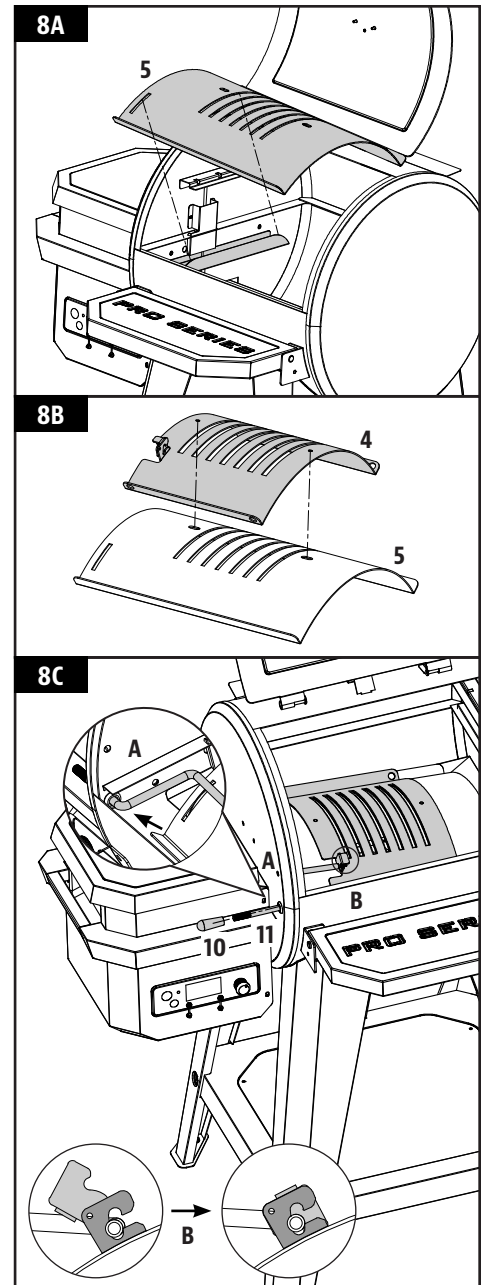
### Installation:

- Insert the flame broiler main plate into the main grill, right side first. Rest the flame broiler main plate on the built-in ledge (on the inside right) of the main grill that directs grease towards the grease bucket. Slide the entire piece to the left side, and the two slots on the flame broiler main plate will fit into the rounded ledge above the fire pot. It will sit slightly at a downward angle. Note 8A.

**IMPORTANT:** If the flame broiler main plate is on the base of the barrel, it is installed incorrectly. The flame broiler main plate should sit at an angle, with the left side sitting higher than the right. Poor installation of this part may result in damage to your main grill barrel.

- Place the flame broiler slider on top of the flame broiler main plate, covering the slotted openings. Ensure the raised tab is on the left, to easily adjust for direct or indirect flame when cooking. Note illustration 8B. Both flame broiler parts are lightly coated with oil to avoid rusting when shipped.
- Next, remove the flame broiler adjusting bar handle from the flame broiler adjusting bar. Insert the flame broiler adjusting bar through the opening hole on the left side of the main barrel. Add the flame broiler adjusting bar handle back onto the end outside the barrel. Next, slide the notched end of the adjusting bar into the locking tab on the flame broiler slider, giving you adjustable access to the flame broiler slider on the main plate. Note steps in 8C.

**NOTE:** When the flame broiler slider is open and direct flame is used, do not leave the grill unattended for any period of time.



## 9. INSTALLING THE COOKING COMPONENTS

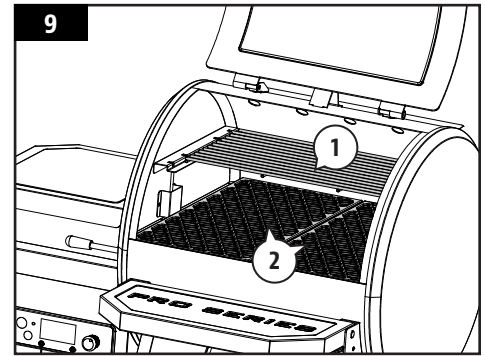
### Parts Required:

- 1 x Upper Cooking Rack (#1)
- 2 x Cooking Grids (#2)

### Installation:

- Place the cooking grids, side-by-side, on the grid ledges inside the main barrel. Place the upper cooking rack on the upper ledge inside the main barrel. The cooking rack will lock into place.

**NOTE: To maintain the searing and grilling performance of your cooking grids, regular care and maintenance is required.**



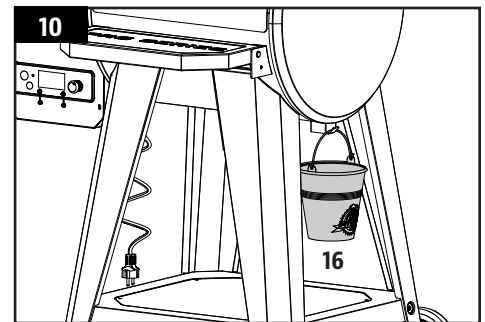
## 10. PLACING THE GREASE BUCKET

### Parts Required:

- 1 x Grease Bucket (#16)

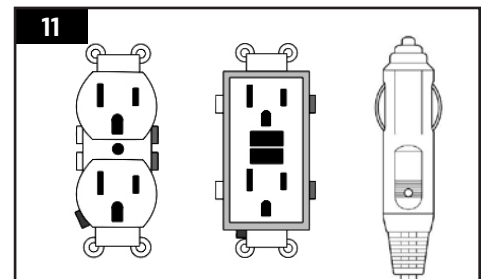
### Installation:

- Place the grease bucket on the spout hook on the end of the main barrel. Ensure it is level to avoid grease spills.
- The unit is now completely assembled.



## 11. CONNECTING TO A POWER SOURCE

- **STANDARD OUTLET**  
This appliance requires 110-120 volt, 60hz, 250W. It must be a 3-prong grounded plug. Ensure grounded end is not broken off before use. The control uses a 110-120 volt, fast-blow fuse to protect the board from the ignitor.
- **GFCI OUTLETS**  
This appliance will work on most GFCI outlets, with a recommended size of 15 amp service. If your GFCI outlet is highly sensitive to power surges, it will likely trip during the start-up phase of operation. During the start-up phase, the ignitor draws 200-700 watts of electricity which can be too much power for a GFCI outlet to handle. Each time it trips, it increases in sensitivity. If the GFCI keeps tripping, replace the outlet or change to a non-GFCI outlet.
- **ON THE ROAD**  
Disconnect the ignitor from the main wiring harness. Use the manual start-up procedure. A Pit Boss® unit can operate using a 12 volt, 100 watt inverter plugged into your automobile outlet. To use the automatic ignitor, it is recommended to use a minimum of a 1000 watt inverter.



**IMPORTANT: Disconnect unit from power source when not in use.**

# OPERATING INSTRUCTIONS

*With today's lifestyle of striving to eat healthy and nutritious foods, one factor to consider is the importance of reducing fat intake. One of the best ways to cut down on fat in your diet is to use a low fat method of cooking, such as grilling. As a pellet grill uses natural wood pellets, the savory wood flavor is cooked into the meats, reducing the need for high sugar content sauces. Throughout this manual, you will notice the emphasis on grilling food slowly at LOW or MEDIUM temperature settings.*

## GRILL ENVIRONMENT

### 1. *WHERE TO SET-UP THE GRILL*

With all outdoor appliances, outside weather conditions play a big part in the performance of your grill and the cooking time needed to perfect your meals.

All Pit Boss® units should keep a minimum clearance of 914mm (36 inches) from combustible constructions, and this clearance must be maintained while the grill is operational. This appliance must not be placed under overhead combustible ceiling or overhang. Keep your grill in an area clear from combustible materials, gasoline and other flammable vapors and liquids.

### 2. *COLD WEATHER COOKING*

As it becomes cooler outside, that does not mean that grilling season is over! The crisp cool air and heavenly aroma of smoked foods will help cure your winter blues.

Follow these suggestions on how to enjoy your grill throughout the cooler months:

- If smoking at low temperatures fails, increase the temperature slightly to achieve the same results.
- Organize – Get everything you require ready in the kitchen before you head outdoors. During the winter, move your grill to an area that is out of the wind and direct cold. Check local bylaws regarding the proximity of your grill in relation to your home and/or other structures. Put everything you need on a tray, bundle up tight, and get it done!
- To help keep track of the outside temperature, place an outdoor thermometer close to your cooking area. Keep a log or history of what you cooked, the outdoor temperature, and the cooking time. This will help later down the road to help you determine what to cook and how long it will take.
- In very cold weather, increase your preheating time by at least 20 minutes.
- Avoid lifting the lid any more than necessary. Cold gusts of wind can completely cool your grill temperature. Be flexible with your serving time; add extra cooking time each time you open the lid.
- Have a heated platter or a dish cover ready to keep your food warm while making the trip back inside.
- Ideal foods for winter cooking are those that require little attention, such as roasts, whole chickens, ribs, and turkey. Make your meal preparation even easier by adding simple items such as vegetables and potatoes.

### 3. *HOT WEATHER COOKING*

As it becomes warmer outdoors, the cooking time will decrease.

Follow these few suggestions on how to enjoy your grill throughout the hot months:

- Adjust your cooking temperatures downward. This helps to avoid unwanted flare-ups.
- Use a meat thermometer to determine the internal temperature of your foods. This helps in preventing your meat from over cooking and drying out.
- Even in hot weather it is still better to cook with the lid of your grill down.
- You can keep foods hot by wrapping them in foil, and placing them in an insulated cooler. Stuff crumpled up newspaper around the foil and this will keep food hot for 3 to 4 hours.

## GRILL TEMPERATURE RANGES

Temperature readouts on the control board may not exactly match the thermometer. All temperatures listed below are approximate and are affected by the following factors: outside ambient temperature, the amount and direction of wind, the quality of pellet fuel being used, the lid being opened, and the quantity of food being cooked.

- **HIGH TEMPERATURE (205-260°C / 401-500°F)**

This range is best used to sear and grill at a high heat. Use in tandem with the flame broiler (slide plate) for indirect or direct flame cooking. With the **flame broiler open**, direct flame is used to create those “blue” steaks, as well as flame-kissed vegetables, garlic toast or s’mores! When the **flame broiler is closed**, the air circulates around the barrel, resulting in convection heat. High temperature is also used to preheat your grill, burn-off the cooking grids, and to achieve high heat in extreme cold weather conditions.

- **MEDIUM TEMPERATURE (135-180°C / 275-356°F)**

This range is best for baking, roasting, and finishing off that slow smoked creation. Cooking at these temperatures will greatly reduce the chances of a grease flare-up. Ensure that the flame broiler slider is in the closed position, covering the slotted openings. Great range for cooking anything wrapped in bacon, or where you want versatility with control.

- **LOW TEMPERATURE (82-125°C / 180-257°F)**

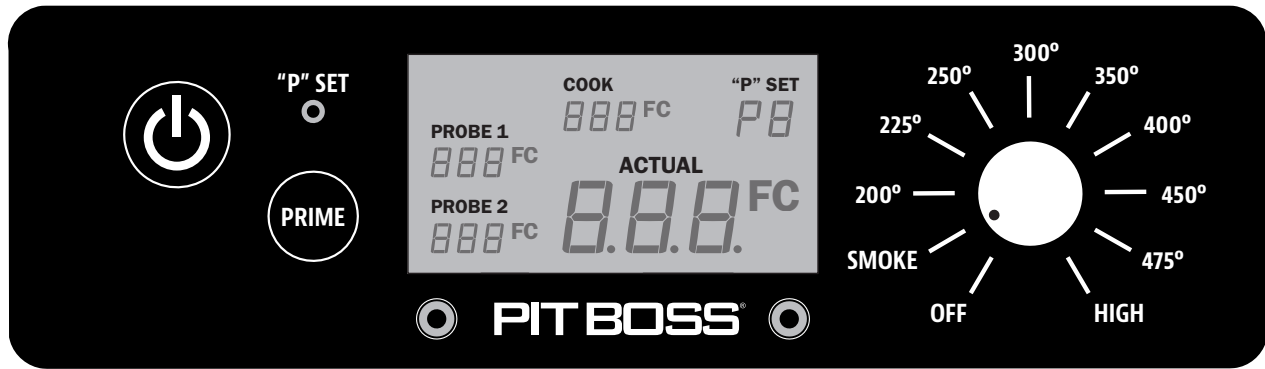
This range is used to slow roast, increase smoky flavor, and to keep foods warm. Infuse more smoke flavor and keep your meats juicy by cooking longer at a lower temperature (also known as **low and slow**). Highly recommended for the big turkey at Thanksgiving, juicy ham at Easter, or the huge holiday feast.

Smoking is a variation on true barbecuing and is truly the main advantage of grilling on a wood pellet grill. **Hot smoking**, another name for **low and slow** cooking, is generally done between 82-125°C / 180-257°F. Hot smoking works best when longer cooking time is required, such as large cuts of meats, fish, or poultry.









**TIP: To intensify that savory flavor, switch to a low temperature range immediately after putting your food on the grill. This allows the smoke to penetrate the meats.**

The key is to experiment with the length of time you allow for smoking, before the meal is finished cooking. Some outdoor chefs prefer to smoke at the end of a cook, allowing the food to keep warm until ready to serve. Practice makes perfect!

## UNDERSTANDING THE CONTROL BOARD



ENGLISH

CONTROL	DESCRIPTION
	Press the <b>Power Button</b> to power on the unit. The button will glow blue if connected to a power source. Press the button again to turn the unit off.
	The <b>Temperature Control Dial</b> allows you to set your desired smoking temperature. Once connected to a power source and the Power Button is pressed, turn the dial and select from any of the ten preset temperatures, between 82-260°C / 180-500°F. When the dial is turned to a temperature preset, the Digital LCD Screen will light up, displaying that it is ready to operate. When the dial is turned to off, the Digital LCD Screen will remain off.
	<p>The <b>"P" Set Button</b> is used to select one of the eight fine tunings when the Temperature Control Dial is set to the Smoke Setting. Press the button to change the "P" setting to accommodate to your cooking style and cooking environment, as preferred. With a <u>short push</u> of the button, the setting increases from P0 to P7, then repeats. Adjustments are only possible in the Smoke Setting. Factory default setting is "P4". If the "P" setting is adjusted, your preference will be locked-in (saved) until further adjustment is made.</p> <p>The <b>"P" Set Button</b> is also used as a <b>Temperature Switch Control</b> to change the temperature readout on the LCD Screen. Press <u>and hold</u> the button for two seconds to switch to Celsius (°C) or to Fahrenheit (°F), as preferred. Default is set to Fahrenheit.</p>
	The <b>LCD Screen</b> is used as the information center for your unit. The LCD screen will display your Desired Cook Temperature, Actual Cook Temperature, and Meat Probe Temperatures (if connected). If only one Meat Probe is connected, only one reading will be displayed.
	Press and hold the <b>Prime Button</b> to activate an extra feed of pellets to the fire pot. This can be used to add more fuel to the fire before opening the barrel lid, resulting in a quick heat recovery time. It can also be used while smoking, to increase the intensity of clean smoke flavor. Requested from competition cookers.
	The <b>Smoke Setting</b> on the Temperature Control Dial is the start-up mode for the unit. The grill operates at the lowest temperature, without the fire going out.
	The plug-in connection port(s) on the front of the Control Board are for a <b>Meat Probe(s)</b> . When a meat probe is connected, the temperature is displayed on the LCD Screen. When not in use, disconnect the meat probe from the connection port. <i>Compatible with Pit Boss® branded meat probes only. Additional meat probe(s) sold separately.</i> 

## UNDERSTANDING THE PROBES

- *TEMPERATURE PROBE*

Located inside the main barrel, on the left side wall, is the temperature probe. It is a small, vertical piece of stainless steel. The temperature probe measures the internal temperature of the unit. When the temperature is adjusted on the Control Board, the temperature probe will read the actual temperature inside the unit and adjust to the desired temperature.

**IMPORTANT: The temperature of your unit is highly affected by ambient outdoor weather, quality of pellets used, flavor of pellets, and the quantity of food being cooked.**

- *MEAT PROBE*

The meat probe measures the internal temperature of your meat in the grill, similar to your indoor oven. Plug-in the meat probe adapter to the meat probe connection port on the Control Board and insert the stainless steel meat probe into the thickest portion of your meat and the temperature will be displayed on the control board. **To ensure the meat probe is connected properly to the connection port, feel and hear it snap into place.**

**NOTE: When placing the meat probe into your meat, ensure the meat probe and meat probe wires avoid direct contact with flame or excess heat. This can result in damage to your meat probe. Run the excess wire out the hole located on the left side of the main grill or the top of the main grill (near the grill lid hinge). When not in use, disconnect from the meat probe connection port and place aside to keep protected and clean.**

## UNDERSTANDING THE "P" SETTING

When the recessed "P" SET button is pushed, the "P" setting displayed on the LCD screen will flash and change to the next value (upward). Once P7 is reached, it will restart at P0. There are eight "P" settings, ranging from P0 to P7. The recessed "P" SET button can be pushed using a thin-tipped object.

**IMPORTANT: Do not push the "P" SET button too hard, as this may cause damage. Only a light push is needed.**

- *USING THE "P" SETTING IN SMOKE MODE*

Anytime the temperature dial is set to SMOKE, such as the start-up cycle, the auger will run on more of a manual mode of cooking versus using one of the preset dial temperatures. First, the auger will continuously turn and feed pellets for four minutes. After four minutes, the auger begins to run a feed cycle based on the "P" setting selected on the Digital Control Board. The default setting is P4.

"P" SET	AUGER CYCLE (seconds)	
	ON	OFF
P0	12	80
P1	12	95
P2	12	110
P3	12	125
<b>*P4</b>	<b>12</b>	<b>140</b>
P5	12	150
P6	12	160
P7	12	170

*\* factory default setting*

## HOPPER PRIMING PROCEDURE

These instructions should be followed the first time the grill is ignited, and each time the grill runs out of pellets in the hopper. The auger must be primed to allow pellets to travel through the length of the auger, and fill the fire pot. **If not primed, the igniter will timeout before the pellets are ignited, and no fire will start.** Follow these steps to prime the hopper:

1. Open the hopper lid. Make sure there are no foreign objects in the hopper or blocking the auger feed system at the bottom.
2. Remove all cooking components from the interior of the grill. Locate the fire pot in the bottom of the main barrel.
3. Plug the power cord into a power source. Press the **Power Button** to turn the unit on, and turn the **Temperature Control Dial** to the SMOKE position. Check the following items:
  - That you can hear the auger turning. Place your hand above the fire pot and feel for air movement. Do not place your hand or fingers inside the fire pot. This can cause injury.
  - After approximately a minute, you should smell the igniter burning and begin to feel the air getting warmer in the fire pot. The igniter tip does not glow red, but gets extremely hot and will burn. Do not touch the igniter.
4. Once verified that all electric components are working correctly, press the **Power Button** to turn the unit off.
5. Fill the hopper with all natural barbecue wood pellets.
6. Press the **Power Button** to turn the unit on. Keep the **Temperature Control Dial** in the SMOKE position. Press and hold the **Prime Button** until you see pellets on the inside of the grill from the auger tube. Once pellets begin to drop into the fire pot, release the **Prime Button**.
7. Press the **Power Button** to turn the unit off.
8. Re-install the cooking components into the main barrel. The grill is now ready to use.

## FIRST USE – GRILL BURN-OFF

Once your hopper has been primed and before cooking on your grill for the first time, it is important to complete a grill burn-off. Start the grill and operate at any temperature over 176°C / 350°F (with the lid down) for 30 to 40 minutes to burn-off the grill and rid it of any foreign matter.

## AUTOMATIC START-UP PROCEDURE

1. Plug the power cord into a grounded power source. Open the main barrel lid. Check the fire pot to ensure there is no obstruction for proper ignition. Open the hopper lid. Ensure there are no foreign objects in the hopper or auger feed system. Fill the hopper with dry, all natural barbecue hardwood pellets.
2. Ensure the **Temperature Control Dial** is in the SMOKE position. Press the **Power Button** to turn the unit on. This will activate the start-up cycle. The auger feed system will begin to turn, the igniter will begin to glow and the fan will supply air to the fire pot. The grill will begin to produce smoke while the start-up cycle is taking place. The barrel lid must remain open during the start-up cycle. To confirm the start-up cycle has begun properly, listen for a torchy roar, and notice some heat being produced.
3. Once the heavy, white smoke has dissipated, the start-up cycle is complete and you are ready to enjoy your grill at your desired temperature!



## IGNITER FAILURE PROCEDURE

If for any reason your electric igniter fails or your grill's flame dies out during a cook, check the following steps, or start your grill using the manual method.

1. Ensure the **Temperature Control Dial** is in the SMOKE position. Open the barrel lid. Remove the cooking components from inside. Remove all unburnt pellets and ash from the fire pot. Avoid touching the igniter to avoid injury, as it may be extremely hot.
2. Once all cooking components are removed and cleaned, press the **Power Button** to turn the unit on. Check the following:
  - Visually confirm that the igniter is working by placing your hand above the fire pot and feeling for heat.
  - Visually confirm that the igniter is protruding approximately 13mm / 0.5 inches in the fire pot.
  - Visually confirm that the auger is dropping pellets into the fire pot.
  - Confirm that the combustion fan is working by listening for a torchy roar.
3. If any of the above points are not working, follow **Troubleshooting** instructions.

## MANUAL START-UP PROCEDURE

1. Ensure the **Temperature Control Dial** is in the SMOKE position. Plug the power cord into a grounded power source.
2. Check fire pot to ensure there is no obstruction for proper ignition. Open the hopper lid. Ensure there are no foreign objects in the hopper or auger feed system. Fill hopper with dry, all natural hardwood barbecue pellets.
3. Open the barrel lid. Remove the cooking components to expose the fire pot. Place a generous handful of pellets into the fire pot. Squirt a gelled fire starter, or other appropriate pellet starter, over the top of the pellets. A small amount of solid fuel fire starter, such as one composed of sawdust and wax, or wood shavings, is also appropriate. Add another small amount of pellets in the fire pot.

**NOTE: Do not use spirit, petrol, gasoline, lighter-fluid or kerosene for lighting or refreshing a fire in your grill.**

4. Light the contents of the fire pot using a long match or long-nosed lighter. Allow the starter to burn for 3 to 5 minutes. Do not attempt to add more starter into the fire pot. This can cause injury.
5. Quickly and carefully replace the cooking components to the inside of the main barrel. Continue start-up at step two of **Automatic Start-Up Procedure**.

## SHUTTING OFF YOUR GRILL

1. When finished cooking, with the main barrel lid remaining closed, press the **Power Button** to turn the unit off and turn the **Temperature Control Dial** to OFF. The grill will begin its automatic cool-down cycle. The auger system will stop feeding fuel, the flame will burn out, and the fan will continue to run until the cool-down cycle is complete.

# CARE AND MAINTENANCE

**WARNING: Always disconnect the electrical cord prior to opening the grill for any inspection, cleaning, maintenance or service work. Ensure the grill is completely cooled to avoid injury.**

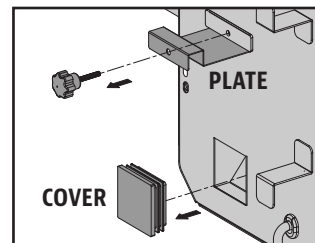
Any Pit Boss® unit will give you many years of flavorful service with minimum cleaning. Follow these cleaning and maintenance tips to service your grill:

## 1. HOPPER ASSEMBLY

- The hopper includes a clean-out feature to allow for ease of cleaning and a quick change out of pellet fuel flavors. To empty, locate the plate and the cover of the drop chute on the back side of the hopper. Place a clean, empty pail under the drop chute cover, then remove the cover piece. Unscrew the plate, slide outwards, and pellets will empty.

**NOTE: Use a long handled brush or shop-vac to remove excess pellets, sawdust, and debris for a complete clean-out through the hopper screen.**

- Running all pellets out of your auger system is recommended if your grill will be unused for an extended period of time. This can be done by simply running your grill, on an empty hopper, until all pellets have emptied from the auger tube.
- Check and clean off any debris from the fan air intake vent, found on the bottom of the hopper. Once the hopper access panel is removed (see *Electric Wire Diagram* for diagram), carefully wipe off any grease build-up directly on the fan blades. This ensures airflow is sufficient to the feed system.



## 2. MEAT PROBES

- Kinks or folds in the Meat Probe wires may cause damage to the part. Wires should be rolled up in a large, loose coil.
- Although Meat Probes are stainless steel, do not place in the dishwasher or submerge in water. Water damage to the internal wires will cause the probe to short-out, causing false readings. If damaged, it should be replaced.

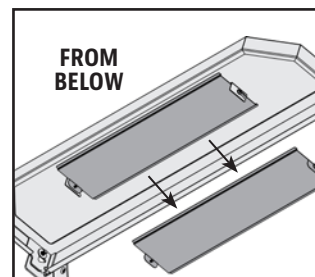
## 3. INSIDE SURFACES

- It is recommended to clean your fire pot after every few uses. This will ensure proper ignition and avoid any hard build-up of debris or ash in the fire pot.
- Use a long-handled grill cleaning brush, remove any food or build-up from the cooking grids. Best practice is to do this while they are still warm from a previous cook. Grease fires are caused by too much fallen debris on the cooking components of the grill. Clean the inside of your grill on a consistent basis. In the event you experience a grease fire, keep the grill lid closed to choke out the fire. If the fire does not go out quickly, carefully remove the food, turn the grill off, and shut the lid until the fire is completely out. Lightly sprinkle baking soda, if available.
- Check your grease bucket often, and clean out as necessary. Keep in mind the type of cooking you do.

**IMPORTANT: Due to high heat, do not cover the flame broiler or probes with aluminum foil.**

## 4. OUTSIDE SURFACES

- The front shelf includes a removable panel underneath for ease of cleaning. From below, push the backing plate towards the main barrel to remove. Clean, then replace by sliding back into place.
- Wipe your grill down after each use. Use warm soapy water to cut the grease. Do not use oven cleaner, abrasive cleansers or abrasive cleaning pads on the outside grill surfaces. **All painted surfaces are not covered under warranty, but rather are part of general maintenance and upkeep.** For paint scratches, wearing, or flaking of the finish, all painted surfaces can be touched up using high heat BBQ paint.








- Use a grill cover to protect your grill for complete protection! A cover is your best protection against weather and outside pollutants. When not in use or for longterm storage, keep the unit under a cover in a garage or shed.

### CLEANING FREQUENCY TIME TABLE (NORMAL USE)

ITEM	CLEANING FREQUENCY	CLEANING METHOD
Bottom of Main Grill	Every 5-6 Grill Sessions	Scoop Out, Shop-Vac Excess Debris
Fire pot	Every 2-3 Grill Sessions	Scoop Out, Shop-Vac Excess Debris
Cooking Grids	After Each Grill Session	Burn Off Excess, Brass Wire Brush
Flame Broiler	Every 5-6 Grill Sessions	Scrape Main Plate with Slider, <b>Do Not Wash Clean</b>
Shelves	After Each Grill Session	Scrub Pad & Soapy Water
Grease Bucket	After Each Grill Session	Scrub Pad & Soapy Water
Auger Feed System	When Pellet Bag is Empty	Allow Auger to Push Out Sawdust, Leaving Hopper Empty
Hopper Electric Components	Once A Year	Dust Out Interior, Wipe Fan Blades with Soapy Water
Air Intake Vent	Every 5-6 Grill Sessions	Dust, Scrub Pad & Soapy Water
Grill Probe	Every 2-3 Grill Sessions	Scrub Pad & Soapy Water

## USING WOOD PELLET FUEL

Clean-burning barbecue wood pellets generate about 8200 BTU's per pound with very little ash, a low moisture content (5-7%), and are carbon neutral. Barbecue wood pellets are produced by pure raw material (sawdust) being pulverized with a hammer-mill, and the material is pushed through a die with pressure. As the pellet is forced through the die, it is cut, cooled, screened, vacuumed, and then bagged for consumer use. Check with your local dealer for flavors available in your area.

- 
  - **HICKORY BLEND**
- 
  - **CHERRY BLEND**
- 
  - **MESQUITE BLEND**
- 
  - **COMPETITION BLEND**
- 
  - **APPLE BLEND**

**NOTE:** Always store wood pellets in a dry area. Any contact or exposure to moisture will result in lower heat output or cause the pellets to swell and break apart. Use a moisture proof, resealable tub or bucket for proper storage.

# COOKING GUIDELINES

Smoking and grilling styles of cooking can give you different results based on time and temperature. For best results, keep a record of what you cooked, at what temperature, how long you cooked for, and the results. Adjust to your taste for the next time. Practice makes perfect.

The culinary art of hot smoking refers to longer cooking times, but results in more natural wood flavor (and a sought-after *smoke ring*) on your meats. Higher cooking temperatures result in a shorter cooking time, locking in less smoke flavor.

**TIP: For best results, allow time for meats to rest after cooking. This allows the natural juices to migrate back into the meat fiber, giving a much juicier, flavorful cut. Resting times can be as little as 3 minutes and up to 60 minutes, depending on the size of the protein.**

STYLE OF COOKING	HOT SMOKING (Very Low)	ROAST (Low)	BAKING (Medium)	GRILL/BAKE (Medium/High)	SEAR (High)
Temp Range	93-135°C / 199-275°F	135-162°C / 275-323°F	162-190°C / 323-374°F	190-232°C / 374-449°F	232-260°C / 449-500°F

POULTRY	Size	Rare - 54°C / 130°F	Medium - 60°C / 140°F	Well Done - 77°C / 170°F
Turkey ( <i>whole</i> )	4.5-5.0 kg / 10-11 lbs. 5.3-6.4 kg / 12-14 lbs. 6.8-7.7 kg / 15-17 lbs. 8.2-10.0 kg / 18-22 lbs. 10.4-11.3 kg / 23-25 lbs.			Grill 90 - 120 minutes Grill 110 - 140 minutes Grill 130 - 160 minutes Grill 140 - 170 minutes Grill 150 - 180 minutes
Chicken ( <i>whole</i> )	1.36-2.26 kg / 3-5 lbs.			Grill 1 - 1.5 hours
Drumsticks, Breasts	0.45 - 0.86 kg / 1 - 1½ lbs.			Grill 30-60 minutes
Small Game Birds	0.45 - 0.86 kg / 1 - 1½ lbs.			Grill 30-45 minutes
Duck	1.36-2.26 kg / 3-5 lbs.			Roast or grill 2 - 2.5 hours

PORK	SIZE	Precooked to Reheat 60°C / 140°F	Medium 66°C / 150°F	Well Done 71°C / 160°F
Ham (Fully Cooked & Boneless Portion, Smoked Picnic Whole & Bone-In)	2.5 cm / 1" 1.36-1.81 kg / 3-4 lbs. 1.81-2.72 kg / 4-6 lbs. 2.26-3.62 kg / 5-8 lbs. 4.53-5.44 kg / 10-12 lbs.	12 minutes 50 minutes - 1 hour 1 - 2 hours 1 - 2½ hours 2 - 2¾ hours		
Loin Roast	1.36-1.81 kg / 3 - 4 lbs.		1 - 2 hours	2 - 3 hours
Rib Crown Roast	1.81-2.26 kg / 4 - 5 lbs.		1½ - 2 hours	2 - 3 hours
Chop (loin, rib)	1.9-2.5 cm / ¾" - 1" 3.1-3.9 cm / 1¼" - 1½"		10 - 12 minutes 14 - 18 minutes	
Tenderloin	1.9-2.5 cm / ¾" - 1"		20 - 30 minutes	30 - 45 minutes
Loin Roast ( <i>boneless</i> )	1.36-2.26 kg / 3-5 lbs.		1¼ - 1¾ hours	1¾ - 2½ hours
Boston Butt (Pork Shoulder)	3.62-4.53 kg / 8-10 lbs.			93 - 98°C / 200 - 210°F Internal Temperature

<b>BEEF</b>	<b>SIZE</b>	<b>HEAT</b>	<b>Rare - 54°C / 130°F</b>	<b>Medium - 60°C / 140°F</b>	<b>Well Done - 65°C / 150°F</b>
<b>Steak</b> ( <i>New York, Porter-house, Rib-eye, Sirloin, T-bone, or Tenderloin</i> )	1.9 cm / ¾" 2.5 cm / 1" 3.8 cm / 1½" 5 cm / 2"	High	Sear 8-10 minutes Sear 10-12 minutes Sear 10 minutes, grill 8-10 minutes Sear 10 minutes, grill 10-14 minutes		
<b>Skirt Steak</b>	0.6 - 12.7 cm / ¼" - ½"	High	Sear 5-7 minutes		
<b>Flank Steak</b>	0.45 - 0.86 kg / 1 - 1½ lbs., 1.9 cm / ¾"	Medium	Sear 4 minutes, grill 8-10 minutes		
<b>Kabob</b>	2.5 - 3.8 cm / 1-1½" cubes	Medium	Grill 10 - 12 minutes		
<b>Tenderloin, whole</b>	1.58 - 1.81 kg / 3½ - 4 lbs.	High/Medium	Sear 10 minutes, grill 15-20 minutes		
<b>Ground Beef Patty</b>	1.9 cm / ¾"	High/Medium	Sear 4 minutes, grill 4-6 minutes		
<b>Rib-eye Roast (boneless)</b>	2.26 - 2.72 kg / 5 - 6 lbs.	Medium	Grill 1½ - 2 hours		
<b>Tri-tip Roast</b>	0.9 - 1.13 kg / 2 - 2½ lbs.	High/Medium	Sear 10 minutes, grill 20-30 minutes		
<b>Rib Roast</b>	5.44 - 6.35 kg / 12 - 14 lbs.	Medium	2½ - 2¾ hours		
<b>Veal Loin Chop</b>	2.5cm / 1"	Medium	10 - 12 minutes direct		
<b>Brisket</b>	7.25 - 3.62 kg / 16 -18 lbs.	Hot Smoke	Cook until internal temperature reaches 91°C / 195°F		

<b>LAMB</b>	<b>Size</b>	<b>Rare - 54°C / 130°F</b>	<b>Medium - 60°C / 140°F</b>	<b>Well Done - 71°C / 160°F</b>
<b>Roast (fresh)</b>	2.26 - 2.72 kg / 5 - 6 lbs.		1 - 2 hours	
<b>Rib Crown Roast</b>	1.36-2.26 kg / 3-5 lbs.		1 - 1½ hours	1½ hours

<b>SEAFOOD</b>	<b>Size</b>	<b>Rare - 54°C / 130°F</b>	<b>Medium - 60°C / 140°F</b>	<b>Well Done - 82°C / 180°F</b>
<b>Fish (whole)</b>	0.5 kg / 1 lb. 0.9 - 1.1 kg / 2 - 2½ lbs. 1.4 kg / 3 lbs.			Grill 10 - 20 minutes Grill 20 - 30 minutes Grill 30 - 45 minutes
<b>Fish (filets)</b>	0.6-1.3 cm / ¼" - ½"			Grill 3 - 5 minutes, until flaky
<b>Lobster Tail</b>	0.15 kg / 5 oz. 0.3 kg / 10 oz.			Grill 5 - 6 minutes Grill 10 - 12 minutes

<b>WILD GAME</b>	<b>Size</b>	<b>Rare - 60°C / 140°F</b>	<b>Medium - 71°C / 160°F</b>	<b>Well Done - 77°C / 170°F</b>
<b>Roast (fresh)</b>	2.26 - 2.72 kg / 5 - 6 lbs.		1 - 1½ hours	1½ - 2 hours
<b>Large Cuts (fresh)</b>	3.62-4.53 kg / 8-10 lbs.		1 hours	1½ hours

# TIPS & TECHNIQUES

Follow these helpful tips and techniques, passed on from Pit Boss® owners, our staff, and customers just like you, to become more familiar with your grill:

## 1. *FOOD SAFETY*

- Keep everything in the kitchen and cooking area clean. Use different platters and utensils for the cooked meat than the ones you used to prepare or transport the raw meat out to the grill. This will prevent cross contamination of bacteria. Each marinade or basting sauce should have its own utensil.
- Keep hot foods hot (above 60°C / 140°F), and keep cold foods cold (below 3°C / 37°F).
- A marinade should never be saved to use at a later time. If you are going to use it to serve with your meat, be sure to bring it to a boil before serving.
- Cooked foods should not be left out in the heat for more than an hour. Do not leave hot foods out of refrigeration for more than two hours.
- Defrost and marinade meats by refrigeration. Do not thaw meat at room temperature or on a counter top. Bacteria can grow and multiply rapidly in warm, moist foods. Wash hands thoroughly with hot, soapy water before starting any meal preparation and after handling fresh meat, fish and poultry.

## 2. *COOKING PREPARATION*

- Be prepared, or ***Mise en Place***. This refers to preparing the cooking recipe, fuel, accessories, utensils, and all ingredients you require at grill side before you start cooking. Also, read the entire recipe, start to finish, before lighting the grill.
- A BBQ floor mat is very useful. Due to food handling accidents and cooking spatter, a BBQ floor mat would protect a deck, patio, or stone platform from the possibility of grease stains or accidental spills.

## 3. *GRILLING TIPS AND TECHNIQUES*

- To infuse more smoke flavor into your meats, cook longer and at lower temperatures (also known as ***low and slow***). Meat will close its fibers after it reaches an internal temperature of 49°C / 120°F. Misting, or mopping, are great ways to keep meat from drying out.
- While searing your meats, cook with the lid down. Always use a meat thermometer to determine the internal temperature of the foods you are cooking. Smoking foods with hardwood pellets will turn meats and poultry pink. The band of pink (after cooking) is referred to as a ***smoke ring*** and is highly prized by outdoor chefs.
- Sugar-based sauces are best applied near the end of cooking to prevent burning and flare-ups.
- Leave open space between the foods and the extremities of the barrel for proper heat flow. Food on a crowded grill will require more cooking time.
- Use a set of long-handled tongs for turning meats, and a spatula for turning burgers and fish. Using a piercing utensil, such as a fork, will prick the meat and allow the juices to escape.
- Foods in deep casserole dishes will require more time to cook than a shallow baking pan.
- It's a good idea to put cooked food onto a heated platter, keeping the food warm. Red meats, such as steak and roasts, benefit from resting for several minutes before serving. It allows the juices that were driven to the surface by heat to ease back to the center of the meat, adding more flavor.

# TROUBLESHOOTING

Proper cleaning, maintenance and the use of clean, dry, quality fuel will prevent common operational problems. When your Pit Boss® grill is operating poorly, or on a less frequent basis, the following troubleshooting tips may be helpful. For FAQ, please visit [www.pitboss-grills.com](http://www.pitboss-grills.com). You may also contact your local Pit Boss® authorized dealer or contact Customer Service for assistance.

**WARNING: Always disconnect the electrical cord prior to opening the grill for any inspection, cleaning, maintenance or service work. Ensure the grill is completely cooled to avoid injury.**

PROBLEM	CAUSE	SOLUTION
No Power Lights On The Control Board	Temperature Control Dial is still off.	Press the Power Button, and ensure the button glows blue to show there is a power connection. Turn the Temperature Control Dial to a temperature setting.
	Not Connected To Power Source	Ensure unit is plugged into a working power source. Reset breaker. Ensure GFCI is a minimum 10 Amp service (see <b>Electric Wire Diagram</b> for access to electric components) Ensure all wire connections are firmly connected and dry.
	Fuse Blown On The Control Board	Remove hopper access panel (see <b>Electric Wire Diagram</b> for diagram), press in plastic tabs holding the control board in place and carefully pull controller inside the hopper to release controller. Check the fuse for a broken wire or if the wire has turned black. If yes, fuse needs to be manually replaced.
	The GFCI outlet has been tripped.	Remove hopper access panel (see <b>Electric Wire Diagram</b> for diagram), and ensure all wire connections are firmly connected and dry. Ensure GFCI is a minimum 10 Amp service.
	Faulty Control Board	Control Board needs to be replaced. Contact Customer Service for a replacement part.
Fire in Fire pot Will Not Light	Auger Not Primed	Before the unit is used for the first time <u>or</u> anytime the hopper is completely emptied out, the auger must be primed to allow pellets to fill the auger tube. If not primed, the igniter will timeout before the pellets reach the fire pot. Follow <b>Hopper Priming Procedure</b> .
	Auger Motor Is Jammed	Remove cooking components from the main barrel. Press the Power Button to turn the unit on, turn Temperature Control Dial to SMOKE, and inspect the auger feed system. Visually confirm that the auger is dropping pellets into the fire pot. If not operating properly, call Customer Service for assistance or a replacement part.
	Igniter Failure	Remove cooking components from the main barrel. Press the Power Button to turn the unit on, turn Temperature Control Dial to SMOKE, and inspect the igniter. Visually confirm that the igniter is working by placing your hand above the fire pot and feeling for heat. Visually confirm that the igniter is protruding approximately 13mm / 0.5 inches in the fire pot. If not operating properly, follow <b>Manual Start-up Procedure</b> to continue use of grill; however, call Customer Service for assistance or a replacement part.
Flashing Dots On LCD Screen	The Igniter Is On	This is not an error that effects the grill. Used to show that the unit has power and is in Start-Up mode (igniter is on). The igniter will turn off after five minutes. Once the flashing dots disappear, the grill will begin to adjust to the desired temperature selected.
Flashing Temperature On LCD Screen	Grill Temperature Is Below 65°C /150°F	This is not an error that effects the unit; however, it is used to show that there is some risk that the fire could go out. Check hopper for sufficient fuel or if there is an obstruction in the feed system. Remove pellets and follow <b>Care and Maintenance</b> instructions. Check grill temperature probe and follow <b>Care and Maintenance</b> instructions if dirty. Check fire pot for ash build-up or obstructions, and follow <b>Care and Maintenance</b> instructions for ash build-up. Check fan. Ensure it is working properly and air intake is not blocked. Follow <b>Care and Maintenance</b> instructions if dirty. Check auger motor to confirm operation (rotation), and ensure there is no blockage in the auger tube.

"ErH" Error Code	The Unit Has Overheated, Possibly Due To Grease Fire Or Excess Fuel.	Press the Power Button to turn the unit off, and allow grill to cool. Follow <b>Care and Maintenance</b> instructions. After maintenance, remove pellets, and confirm positioning of all component parts. Once cooled, press the Power Button to turn the unit on, then select desired temperature. If error code still displayed, contact Customer Service.
"Err" Error Code	Temperature probe wire not making connection.	Remove hopper access panel (see <b>Electric Wire Diagram</b> for diagram), and check for any damage to the Temperature Probe wires. Ensure Temperature Probe molex connectors are firmly connected, and connected correctly, to the Control Board.
"ErP" Error Code	Unit Not Turned Off Properly When Last Connected To Power.	Safety feature prevents an automatic restart. Press the Power Button to turn the unit off, wait two minutes, then press the Power Button to turn the unit on again. Turn Temperature Control Dial to SMOKE or desired temperature. If error code still displayed, contact Customer Service.
	Power Outage While Unit In Operation.	
"noP" Error Code	Bad Connection At Connection Port	Disconnect meat probe from connection port on the Control Board, and reconnect. Ensure the meat probe adapter is firmly connected. Check for signs of damage to the adapter end. If still failed, call Customer Service for replacement part.
	Meat Probe Damaged	Check for signs of damage to the wires of the meat probe. If damaged, call Customer Service for replacement part.
	Faulty Control Board	Control Board needs to be replaced. Contact Customer Service for a replacement part.
Grill Temperature on SMOKE is too high	"P" Setting is too LOW	Push the "P" SET button, and increase the "P" setting.
Grill Will Not Achieve Or Maintain Stable Temperature	Insufficient Air Flow Through Fire pot	Check fire pot for ash build-up or obstructions. Follow <b>Care and Maintenance</b> instructions for ash build-up. Check fan. Ensure it is working properly and air intake is not blocked. Follow <b>Care and Maintenance</b> instructions if dirty. Check auger motor to confirm operation, and ensure there is no blockage in the auger tube. Once all the above steps have been done, start the grill, set temperature to SMOKE and wait for 10 minutes. Check that the flame produced is bright and vibrant.
	Lack Of Fuel, Poor Fuel Quality, Obstruction In Feed System	Check hopper to check that fuel level is sufficient, and replenish if low. Should the quality of wood pellets be poor, or the length of the pellets too long, this may cause an obstruction in the feed system. Remove pellets and follow <b>Care and Maintenance</b> instructions.
	Temperature Probe	Check status of temperature probe. Follow <b>Care and Maintenance</b> instructions if dirty. Contact Customer Service for a replacement part if damaged.
Grill Produces Excess Or Discolored Smoke	Grease Build-Up	Follow <b>Care and Maintenance</b> instructions.
	Wood Pellet Quality	Remove moist wood pellets from hopper. Follow <b>Care and Maintenance</b> instructions to clean out. Replace with dry wood pellets.
	Fire pot Is Blocked	Clear fire pot for moist wood pellets. Follow <b>Hopper Priming Procedure</b> .
	Insufficient Air Intake For Fan	Check fan. Ensure it is working properly and air intake is not blocked. Follow <b>Care and Maintenance</b> instructions if dirty.
Frequent Flare-Ups	Cooking Temperature	Attempt cooking at a lower temperature. Grease does have a flash point. Keep the temperature under 176°C / 350°F when cooking highly greasy food.
	Grease Build-Up On Cooking Components	Follow <b>Care and Maintenance</b> instructions.



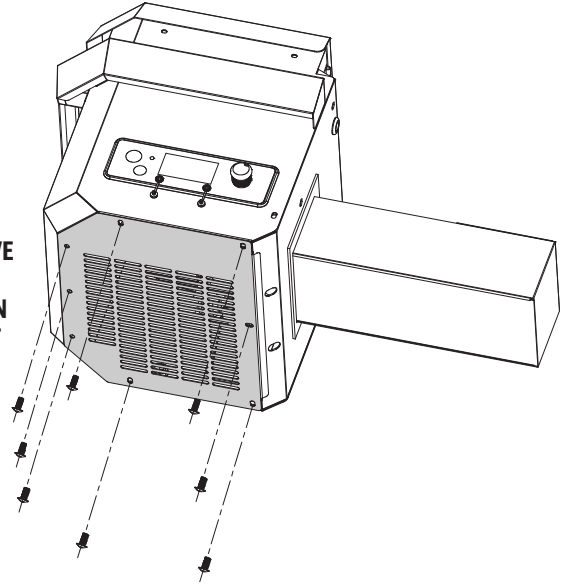
# ELECTRICAL WIRE DIAGRAM

The Digital Control Board system is an intricate and valuable piece of technology. For protection from power surges and electrical shorts, consult the wire diagram below to ensure your power source is sufficient for the operation of the unit.

## PB – ELECTRIC REQUIREMENTS 110-120V, 60HZ, 250W, 3-PRONG GROUNDED PLUG

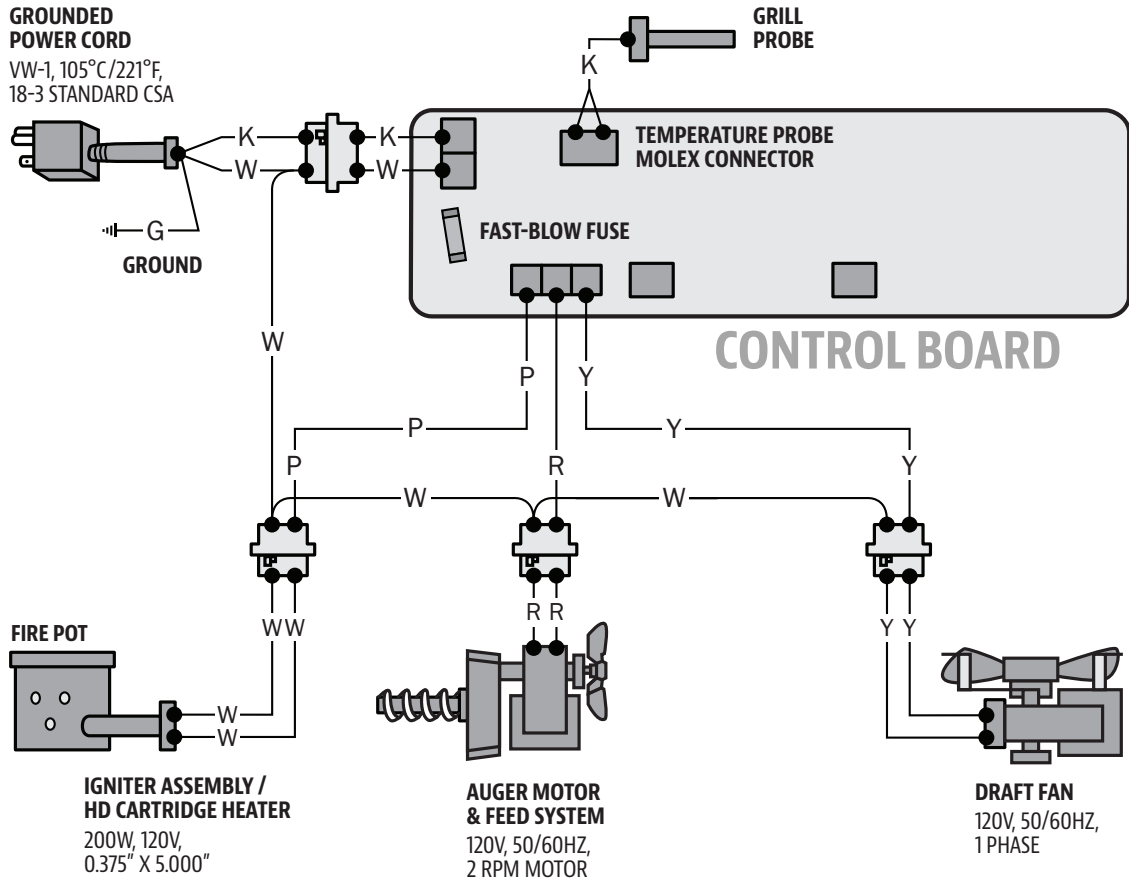
NOTE: Electrical components, passed by product safety testing and certification services, comply with a testing tolerance of ± 5-10 percent.

LOCATE AND REMOVE THE EIGHT SCREWS OF ACCESS PANEL ON UNDERSIDE OF UNIT



ENGLISH

**FUEL INPUT RATING:**  
1.12 KG/H  
(2.48 LB/H)



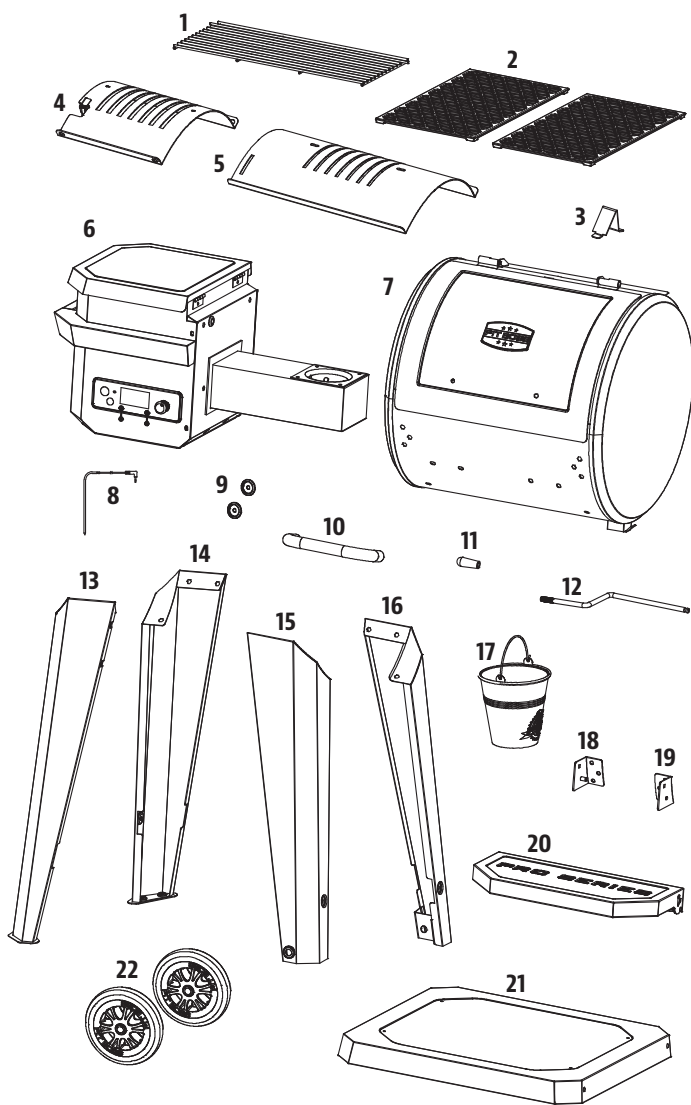
### INDEX

W : WHITE  
Y : YELLOW  
P : PURPLE  
R : RED  
K : BLACK  
G : GREEN

# GRILL REPLACEMENT PARTS

ENGLISH

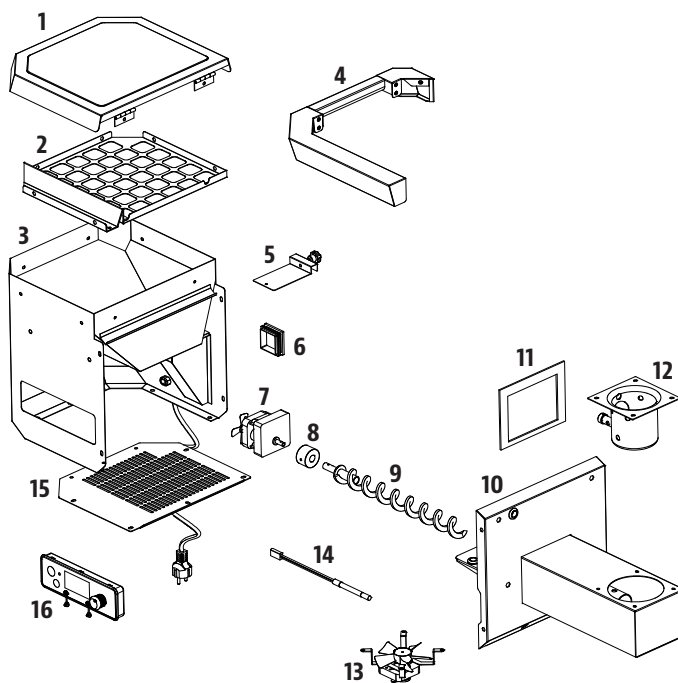
Part#	Description
1	Porcelain-Coated Steel Upper Cooking Rack (x1)
2	Porcelain-Coated Cast-Iron Cooking Grid (x2)
3	Lid Stopper (x1)
4	Flame Broiler Slider (x1)
5	Flame Broiler Main Plate (x1)
6	Hopper Assembly (x1)
7	Main Barrel (x1)
8	Meat Probe (x1)
9	Lid Handle Bezel (x2)
10	Lid Handle (x1)
11	Flame Broiler Adjusting Bar Handle (x1)
12	Flame Broiler Adjusting Bar (x1)
13	Left Support Leg - Front (x1)
14	Left Support Leg - Back (x1)
15	Right Support Leg - Front (x1)
16	Right Support Leg - Back (x1)
17	Grease Bucket (x1)
18	Front Shelf Bracket / Left (x1)
19	Front Shelf Bracket / Right (x1)
20	Front Shelf (x1)
21	Bottom Shelf (x1)
22	Wheel (x2)
A	Screw (x22)
B	Washer (x18)
C	Locking Washer (x16)
D	Bushing (x2)
E	Wheel Cotter Pin (x2)
F	Wheel Washer (x2)
G	Wheel Axle Pin (x2)
H	Screw (x2)
I	Nut (x2)



NOTE: Due to ongoing product development, parts are subject to change without notice.

# HOPPER REPLACEMENT PARTS

Part#	Description
1-PSH	Hopper Lid (x1)
2-PSH	Hopper Safety Screen (x1)
3-PSH	Hopper Box Housing (x1)
4-PSH	Hopper Handle (x1)
5-PSH	Drop Chute Plate (x1)
6-PSH	Drop Chute Cover (x1)
7-PSH	Auger Motor (x1)
8-PSH	Nylon Bushing (x1)
9-PSH	Auger Flighting Assembly (x1)
10-PSH	Auger Box Housing (x1)
11-PSH	Hopper Housing Gasket (x1)
12-PSH	Fire Pot (x1)
13-PSH	Combustion Fan (x1)
14-PSH	Ignitor (x1)
15-PSH	Hopper Access Panel (x1)
16-PSH	Control Board (x1)



## WARRANTY

### CONDITIONS

All wood pellet grills by Pit Boss®, manufactured by Dansons, carry a limited warranty from the date of sale by the original owner. The warranty coverage begins on the original date of purchase and proof of date of purchase, or copy of original bill of sale, is required to validate the warranty. Customers will be subject to parts, shipping, and handling fees if unable to provide proof of the purchase or after the warranty has expired.

Dansons carries a five (5) year warranty against defects and workmanship on all parts, and five (5) years on electrical components. Dansons warrants that all part(s) are free of defects in material and workmanship, for the length of use and ownership of the original purchaser. Warranty does not cover damage from wear and tear, such as scratches, dents, dings, chips or minor cosmetic cracks. These aesthetic changes of the grill do not affect its performance. Repair or replacement of any part does not extend past the limited warranty beyond the five (5) years from date of purchase.

During the term of the warranty, Dansons' obligation shall be limited to furnishing a replacement for defective and/or failed components. As long as it is within the warranty period, Dansons' will not charge for repair or replacement for parts returned, freight prepaid, if the part(s) are found by Dansons' to be defective upon examination. Dansons' shall not be liable for transportation charges, labor costs, or export duties. Except as provided in these conditions of warranty, repair or replacement of parts in the manner and for the period of time mentioned heretofore shall constitute the fulfillment of all direct and derivate liabilities and obligations from Dansons to you.

Dansons takes every precaution to utilize materials that retard rust. Even with these safeguards, the protective coatings can be compromised by various substances and conditions beyond Dansons' control. High temperatures, excessive humidity, chlorine, industrial fumes, fertilizers, lawn pesticides and salt are some of the substances that can affect metal coatings. For these reasons, the warranty does not cover rust or oxidization, unless there is loss of structural integrity on the grill component. Should any of the above occur, kindly refer to the care and maintenance section to prolong the lifespan of your unit. Dansons recommends the use of a grill cover when the grill is not in use.

This warranty is based on normal domestic use and service of the grill and neither limited warranty coverage's apply for a grill which is used in commercial applications.

## EXCEPTIONS

There is no written or implied performance warranty on Pit Boss® grills, as the manufacturer has no control over the installation, operation, cleaning, maintenance or the type of fuel burned. This warranty will not apply nor will Danson's assume responsibility if your appliance has not been installed, operated, cleaned and maintained in strict accordance with this owner's manual. Any use of gas not outlined in this manual may void the warranty. The warranty does not cover damage or breakage due to misuse, improper handling or modifications.

Neither Danson's, or authorized Pit Boss® dealer, accepts responsibility, legal or otherwise, for the incidental or consequential damage to the property or persons resulting from the use of this product. Whether a claim is made against Danson's based on the breach of this warranty or any other type of warranty expressed or implied by law, the manufacturer shall in no event be liable for any special, indirect, consequential or other damages of any nature whatsoever in excess of the original purchase of this product. All warranties by manufacturer are set forth herein and no claim shall be made against manufacturer on any warranty or representation.

Some states do not allow the exclusion or limitation of incidental or consequential damages, or limitations of implied warranties, so the limitations or exclusions set forth in this limited warranty may not apply to you. This limited warranty gives you specific legal rights and you may have other rights, which vary from state to state.

## ORDERING REPLACEMENT PARTS

To order replacement parts, please contact your local Pit Boss® dealer or visit our online store at: [www.pitboss-grills.com](http://www.pitboss-grills.com)

## CONTACT CUSTOMER SERVICE

If you have any questions or problems, contact Customer Service, Monday through Sunday, 4am - 8pm PST (EN/FR/ES).

[service@pitboss-grills.com](mailto:service@pitboss-grills.com) | Toll-Free: 1-877-303-3134 | Toll-Free Fax: 1-877-303-3135

## WARRANTY SERVICE

Contact your nearest Pit Boss® dealer for repair or replacement parts. Danson's requires proof of purchase to establish a warranty claim; therefore, retain your original sales receipt or invoice for future reference. The serial and model number of your Pit Boss® can be found inside the lid of the hopper. Record numbers below as the label may become worn or illegible.

---

MODEL

---

SERIAL NUMBER

---

DATE OF PURCHASE

---

AUTHORIZED DEALER

# RECIPES

## CLASSIC BRISKET

Makes 4 - 6 Servings

A whole beef brisket weighs 7.25-3.62 kg / 16-18 pounds and has three separate parts: the cap, the point, and the flat. Use the flat section, as it is lean, compact, and creates nice slices when carved.

### Ingredients:

- 1 Beef Brisket  
2.2-3.6 kg / 5-8 lbs,  
Layer of fat is at least 0.6 cm / ¼" thick
- 1 bottle Prepared Yellow Mustard
- 75 ml / 5 tbsp Seasoning
- 1 bottle Chili Sauce
- 1 pack Dry Onion Soup Mix
- 375 ml / 1½ c. Beef Broth
- 40 ml / 8 tsp Black Pepper

**Suggested Wood Pellet Flavor: Hickory / Competition**

### Instructions:

1. Lay out a large piece of plastic wrap on your working station. Large enough to encase the brisket. Using a sharp knife, cut a single cut on the underside of the brisket against the grain. This will aid in slicing the finished brisket, against the grain which results in a tender, melt-in-your-mouth cut. The underside is the non-fat cap side. Slather on a generous amount of prepared mustard. Rub lightly onto the entire area. Sprinkle a generous amount of seasoning onto the mustard, then again light rub into the meat. Flip the brisket over and repeat the process. Wrap the prepared brisket in the plastic wrap and refrigerate 2 to 4 hours, or overnight.
2. Prepare the basting mixture. Mix the chili sauce, dry onion soup mix, beef broth, and black pepper. Set aside.
3. **Preheat grill, then reduce to SMOKE or low temperature.**
4. Place the brisket, fat side up, in the center of the grill. Close the grill lid. Slow cook until tender, about 10 to 12 hours.
5. Baste the brisket with the basting mixture every half hour for the first 3 hours.
6. Continue the slow cooking process until the internal temperature reaches 60-66°C / 140-150°F. Remove from grill. **Turn grill up to 176°C / 350°F.**
7. Place the brisket into a pouch of double-layered aluminum foil. Pour 50 ml / ¼ cup of basting mixture over the brisket in the pouch. Close the pouch shut.
8. Lay foil pouch carefully on the grill. Steam for 1 to 1½ hours.
9. Open the pouch, and use a meat thermometer; internal temperature should reach 91°C / 195°F. The brisket should be firm but be able to pull the meat apart with your fingers.
10. Transfer the meat to a cutting board, and let it rest for 10 minutes. Thinly slice across the grain to serve.

## SAUSAGE WITH MANGO CHUTNEY

Makes 4 - 6 Servings

### Ingredients:

- 2 Mangoes (finely chopped)
- 0.9 kg / 2 lbs Italian Sausage (hot or mild)
- 10 ml / 2 tsp Fresh Parsley (minced)
- 15 ml / 1 tbsp Red Pepper (diced)
- 10 ml / 2 tsp Honey
- ½ Red Onion (diced)
- ½ bulb Fennel (diced)
- 5 ml / 1 tsp Lime Juice
- Pinch Salt

**Suggested Wood Pellet Flavor: Hickory / Competition**

### Instructions:

1. **Preheat grill, then reduce to LOW-MEDIUM (82-107°C / 180-225°F)**
2. Place sausages on grill, spaced evenly apart. Rotate every ten minutes so all sides are grilled.
3. Combine all remaining ingredients to make the chutney. Chill until ready to serve.
4. Slice grilled sausage diagonally, then serve with side of chutney.

## BLUE CHEESE STEAK

Makes 4 Servings

### Ingredients:

- 4 Steak, T-bone or Rib-Eye  
2.54cm / 1" thick  
0.28-0.62 kg / 10-12 ounces each
- 113 g / 4 oz. Blue Cheese (crumbled)
- 50 ml / ¼ c. Green Onion (thinly sliced)

**Suggested Wood Pellet Flavor: Hickory / Competition / Whiskey**

### Instructions:

1. **Preheat grill, then leave or reduce slightly (204-260°C / 400-500°F)**
2. Trim excess fat from meat and discard.
3. Place steaks on grill. Sear each side, flipping every few minutes.
4. **Reduce heat to 135°C/275°F or 163°C/ 325°F.** Flip the steaks a final time. Combine blue cheese and onions. Sprinkle over steaks, close grill lid, and grill until desired doneness. Check doneness by cutting a slit in meat near the bone.

### Variation: REVERSE-SEAR METHOD

Turn grill to SMOKE, then place steaks on grill. Smoke at 82°C / 180°F for 5 to 15 minutes. Once smoked to desired doneness, turn grill up to HIGH and sear to your liking.

## BBQ RIBS

Makes 4 - 6 Servings

### Ingredients:

1.3-1.8 kg / 3-4 lbs	Ribs <small>Meaty pork spareribs / loin back ribs</small>
45 ml / 3 tbsp	Oil
5 ml / 1 tsp	Salt
5 ml / 1 tsp	Pepper
2 whole	Onions (chopped)
30 ml / 2 tbsp	Vinegar
30 ml / 2 tbsp	Worcestershire sauce
125 ml / ½ c.	Apple Juice or Soda
5 ml / 1 tsp	Paprika
5 ml / 1 tsp	Chili Powder

Suggested Wood Pellet Flavor: Hickory / Competition / Apple

### Instructions:

1. **Preheat grill, then reduce to SMOKE or low (82-107°C / 180-225°F).**
2. Prepare ribs by peeling off the tough layer of skin on the back side. Season the ribs with salt and pepper, to taste.
3. Place ribs on grill, spaced evenly apart. Smoke for 3 to 4 hours.
4. Mix remaining ingredients in a saucepan and bring to a boil. Let sauce boil for five minutes to thicken.
5. Remove from grill. **Turn grill up to 176°C / 350°F.**
6. Place each rack into a pouch of double-layered aluminum foil. Pour 50 ml / ¼ cup of sauce over the ribs in the pouch. Close the pouch shut.
7. Lay foil pouch carefully on the grill. Steam for 1 to 1½ hours.
8. Open the pouch. The meat will have exposed the rib ends and be very tender. **Turn grill up to HIGH (260°C / 500°F).** Place ribs back on the grill and baste with sauce on both sides of ribs.
9. Once the sauce is caramelized and the ribs are sticky, remove from grill and serve.

### Variation: MEMPHIS-DRY METHOD

Turn grill up to HIGH (260°C / 500°F). Place ribs back on the grill and season with a dry seasoning or rub. Sear the ribs, remove from grill and serve.

## MOM'S JUICY HAMBURGERS

Makes 4 - 6 Servings

### Ingredients:

900 g / 2 lbs	Ground Beef or Buffalo
15 ml / 3 tsp	Seasoning
2 whole	Eggs, room temperature
500 ml / 2 c.	Bread Crumbs (Dried, Fine)
6 - 8	Hamburger / Kaiser Buns
6 - 8 slices	Cheese (slices, thin)
30 ml / 2 tbsp	Butter

Suggested Wood Pellet Flavor: Hickory / Competition

### Instructions:

1. **Preheat grill, then leave or reduce slightly (204-260°C / 400-500°F)**
2. Combine meat, seasoning, eggs and bread crumbs in a mixing bowl and blend together. Divide the meat into portions, and gently shape into patties to fit the buns. Make patties about 1.9 cm / ¾ inches thick.
3. Place patties on grill. Grill six minutes per side, taking care not to press down on the meat. Test for doneness, using a meat thermometer; internal temperature should reach 71°C / 160°F. Meat may turn pink on the outside due to smoking.
4. In the last few minutes of grilling, brush buns with butter and lightly toast on the grill.
5. Remove buns, burgers when done. Top the burgers with cheese to melt, and serve.

**TIP:** A slightly fattier meat makes for a juicier burger. For a lean alternative, try ground buffalo.

## SIRLOIN STEAK WITH SWEET ONION & PEPPERS

Makes 4 Servings

### Ingredients:

2	Steak, Top Sirloin <small>1" thick, cut into 4 pieces. 0.45kg/1 lb</small>
10 ml / 2 tsp	Seasoning or rub
5 medium	Sweet Onions (coursed chopped)
2 whole	Bell Peppers (all kinds, chopped)
60 ml / 4 tbsp	Soy Sauce
60 ml / 4 tbsp	Olive Oil
Dash	Salt

Suggested Wood Pellet Flavor: Hickory / Mesquite / Whiskey

### Instructions:

1. **Preheat grill, then reduce slightly to 218°C / 425°F.**
2. Season both sides of the steak with the seasoning or rub. Cover and refrigerate at least 1 hour.
3. Place onions and bell peppers into a covered tray of aluminum foil. Mix soy sauce and olive oil together, then drizzle over tray. Sprinkle with salt. Seal the foil packet completely.
4. Place the foil on the grill for 10 - 15 minutes or until vegetables are soft and tender. Remove from grill, and keep covered.
5. Place steaks on grill. Sear each side, flipping every few minutes.
6. Grill until desired doneness, then remove from grill. Place on serving plates and top with warm vegetables.

## **CORNISH HENS WITH MANDARIN RICE**

**Makes 4 Servings**

### **Ingredients:**

4 whole Cornish Game Hens  
750 ml / 3 c. Mandarin Rice  
15 ml / 1 tbsp Olive Oil  
5 ml / 1 tsp Smoked Paprika  
250 ml / 1 c. Orange Marmalade

### **Mandarin Rice**

59 ml / ¼ c. Almonds (slivered)  
30 ml / 2 tbsp Celery (chopped)  
1 small Green Onion (sliced, thin)  
30 ml / 2 tbsp Butter  
1 can Mandarin Orange Segments (drained)  
0.4 kg / 11oz.  
30 ml / 2 tbsp Orange Juice (concentrate)  
500 ml / 2 c. Cooked Rice

**Suggested Wood Pellet Flavor: Hickory / Mesquite / Competition**

### **Instructions:**

1. Prepare mandarin rice by cooking almonds, celery, green onion, and butter in small skillet until almonds are lightly toasted. Combine mixture with orange segments, orange juice and cooked rice in a bowl, and set aside.
2. **Preheat grill, then reduce to MEDIUM (135-177°C / 275-350°F).**
3. Rinse Cornish hens and pat dry with paper towel. Stuff with rice mixture and tie legs with a string. Brush Cornish hens lightly with olive oil, and sprinkle with paprika.
4. Place Cornish hens on grill. Grill for 45 to 60 minutes, until the drumstick meat is tender when pressed.
5. Baste with orange marmalade during last 20 minutes of cooking time. Remove from grill and arrange on serving platter.

**TIP:** If you want to catch the drippings to make gravy, place the hens in a foil pan and add enough water or juice to cover the bottom about 0.6 cm / ¼ inch thick.

## **SHRIMP KABOBS WITH CURRY BUTTER**

**Makes 4 Servings**

### **Ingredients:**

900g / 2 lbs Shrimp (peeled, deveined)  
125ml / ½ c. Curry Butter  
15 ml / 1 tbsp Olive Oil  
1 Lime  
Fresh Dill

### **Curry Butter**

125 ml / ½ c. Butter  
30 ml / 2 tbsp Onion (chopped)  
15 ml / 1 tbsp Fresh Dill  
5 ml / 1 tsp Curry Powder  
Dash Garlic Powder

**Suggested Wood Pellet Flavor: Mesquite / Competition**

### **Instructions:**

1. Soak wooden skewers in water for 1 hour.
2. **Preheat grill, then reduce to 135-163°C / 275-325°F.**
3. Prepare curry butter by melting butter in small pan over medium-high heat. Stir in onion, dill, curry powder and garlic powder. Cook for five minutes, then remove from heat.
4. Thread shrimp on skewers, leaving space between pieces. Lightly brush with olive oil.
5. Place skewers on grill, and grill until shrimp are white and tender. Shrimp grill quickly; take care not to overcook. Turn skewers of shrimp once and brush with curry butter halfway through cooking time.
6. Arrange grilled shrimp on serving plate. Garnish with lime wedge and dill.

**TIP:** To skewer shrimp so that it is straight, hold it in a stretched-out position with one hand. Start at the tail end and insert a bamboo or wooden skewer into the shrimp so that it runs the full length. Keep unbending the shrimp with your fingers as you go.

## **BACON BASIL SHRIMP ON A STICK**

**Makes 4 - 6 Servings**

### **Ingredients:**

24 large Shrimp (peeled, deveined)  
24 whole Fresh Basil Leaves  
24 slices Bacon (sliced thin)

**Suggested Wood Pellet Flavor: Cherry / Apple**

### **Instructions:**

1. Soak wooden skewers in water for 1 hour.
2. **Preheat grill, then reduce to 135-163°C / 275-325°F.**
3. Wrap a piece of shrimp and basil leaf in a thin slice of bacon, then thread onto skewer, leaving space between pieces.
4. Place skewers on grill, and cook until shrimp are white and tender, and the bacon is nicely browned. Shrimp grill quickly; take care not to overcook. Turn skewers often to avoid burning.
5. Remove from heat and serve.

## **WHOLE SMOKED TURKEY**

**Feeds a small army - leftovers are great!**

### **Ingredients:**

1 whole Turkey (thawed)  
9-11.3 kg / 20-25 lbs  
60 ml / 4 tbsp Seasoning  
5 ml / 1 tsp Smoked Paprika  
45 ml / 3 tbsp Butter

**Suggested Wood Pellet Flavor: Hickory / Cherry / Competition**

### **Instructions:**

1. **Preheat grill, then reduce to 135-177°C / 275-350°F.**
2. Remove the turkey neck and giblets. Rinse turkey thoroughly and pat the exterior dry with paper towel.
3. In a small bowl, mix butter, ¼ of the seasoning and paprika together to form a paste. Gently insert your hand between the outer skin and the breast meat. Rub paste into the meat.
4. With the remaining seasoning, rub the outer surface of the turkey.
5. Place turkey, breast side up, in center of grill, and cook until turkey is tender and golden brown; internal temperature should reach 82°C / 180°F in the thickest part of the thigh and 77°C / 170°F in the breast.
6. Remove turkey, cover with foil and let rest for 10 minutes before carving.

**TIP:** If you want to catch the drippings to make gravy, place the turkey on a rack inside a large aluminum foil roast pan. Add 0.6 cm / ¼" of water or broth and some seasoning into the bottom of the pan. Monitor the juices, as you may need to add more during the roasting period.

## **BEER CAN CHICKEN**

**Makes 2 - 6 Servings**

### **Ingredients:**

1 whole Chicken  
1.8-2.7 kg / 4-6 lbs  
1 can Beer, any kind  
45 ml / 3 tbsp Seasoning

**Suggested Wood Pellet Flavor: Hickory / Apple / Competition**

### **Instructions:**

1. **Preheat grill, then reduce to 135-177°C / 275-350°F.**
2. Open can, and pour half of the beer into a glass to drink. Leave half in the can, and make a few more holes in the top of the can to increase ventilation. Add a ¼ of the seasoning to the can.
3. Rinse chicken thoroughly and pat the exterior dry with paper towel. Add a ¼ of the rub inside the cavity of the chicken. With the remaining seasoning, rub the outer surface of the chicken.
4. Insert the upright can into the cavity of the chicken, place on the grill, and close the grill lid. Cook until the chicken is golden

brown and crispy; internal temperature should reach 74°C/165°F.

5. Using tongs, carefully remove the upright chicken and can from the grill. Let rest for five minutes, then carefully remove the can from the cavity of the chicken. Be cautious not to spill, as the liquid will be hot.
6. Carve chicken and serve.

### **Variation: NON- ALCOHOLIC, BEER-CAN CHICKEN**

Using the same instructions as above, but substitute the can of beer with a can of your favorite non-diet cola, fruit juice, or water with additional seasoning.

## **EASY RANCH CHICKEN SATAY**

**Makes 2 - 6 Servings**

### **Ingredients:**

450g / 1 lb Chicken Breasts or Thighs (boneless, skinless)  
112 ml / ½ c. Prepared Ranch or Italian Salad Dressing  
Dash Salt  
Dash Pepper

**Suggested Wood Pellet Flavor: Apple / Cherry**

### **Instructions:**

1. Cut chicken, lengthwise, into 0.63 cm / ¼" or slightly thicker pieces. Rinse chicken and pat dry with paper towel.
2. Place chicken pieces into a plastic lock-top bag. Add salad dressing, salt and pepper. Seal the bag closed, and carefully shake, coating chicken evenly. Place in refrigerator for 1 - 2 hours, or overnight. Shake the bag once or twice so the chicken marinades evenly.
3. Soak wooden skewers in water for 1 hour before use.
4. **Preheat grill, then reduce slightly to 218°C / 425°F.**
5. Remove chicken from plastic bag, and weave in-and-out onto the skewers, like a ribbon.
6. Place skewers on grill, and cook until chicken is white and firm. Turn skewers often to avoid burning.
7. Remove from heat and serve.





## INFORMATIONS CONCERNANT LA SÉCURITÉ

**LES PRINCIPALES CAUSES D'INCENDIE D'UN APPAREIL SONT UN MAUVAIS ENTRETIEN ET UNE INCAPACITÉ À MAINTENIR L'ESPACEMENT REQUIS ENTRE L'APPAREIL ET LES MATÉRIAUX COMBUSTIBLES. IL EST DE LA PLUS HAUTE IMPORTANCE QUE CE PRODUIT SOIT UNIQUEMENT UTILISÉ CONFORMÉMENT AUX INSTRUCTIONS SUIVANTES.**

Veillez lire et comprendre l'intégralité de ce manuel avant de procéder à l'assemblage, à l'utilisation ou à l'installation de ce produit. Vous pourrez alors profiter pleinement et sans encombre de votre nouveau gril à granulés de bois. Nous vous conseillons également de conserver ce manuel à titre de référence ultérieure.

### DANGERS ET AVERTISSEMENTS

**Vous devez contacter les autorités locales compétentes afin d'obtenir les permis, mandats ou informations nécessaires concernant toute restriction d'installation, par exemple pour un gril installé sur une surface combustible, les exigences en matière d'inspection ou même la possibilité d'utilisation dans votre région.**

1. Vous devez respecter un espace minimum de 914 mm (36 pouces) entre les côtés/l'arrière du gril et toute construction combustible. **N'installez pas l'appareil sur des sols combustibles ou des sols protégés par des surfaces combustibles sans avoir obtenu les permis et autorisations appropriés de la part des autorités compétentes.** N'utilisez pas cet appareil en intérieur, dans une zone close ou non aérée, par exemple à l'intérieur d'un domicile, dans un véhicule, sous une tente ou dans un garage. Cet appareil à granulés de bois ne doit pas être placé sous un plafond ou un surplomb combustible. Placez votre gril dans une zone dégagée, sans matériaux combustibles, essence, ni autres vapeurs et liquides inflammables.

**Si un feu de graisse a lieu, éteignez le gril et laissez le couvercle fermé jusqu'à ce que le feu s'éteigne. Débranchez le cordon d'alimentation. Ne jetez pas d'eau sur l'appareil. N'essayez pas d'étouffer le feu. Posséder sur place un extincteur agréé pour les feux de classe A, B et C est un atout précieux. Si un feu incontrôlé a lieu, appelez les pompiers.**

2. Maintenez les câbles électriques et les combustibles loin des surfaces chauffées. N'utilisez pas votre gril sous la pluie ou près d'une source d'eau.
3. Suite à une période de stockage ou d'absence d'utilisation, vérifiez que la grille de combustion n'est pas obstruée, que la trémie ne contient pas d'objet étranger et que le dispositif de ventilation ou la cheminée peuvent toujours évacuer l'air. Nettoyez l'appareil avant utilisation. Une maintenance et un entretien réguliers sont nécessaires pour prolonger la durée de vie de votre appareil. **Si le gril est stocké en extérieur lors des saisons pluvieuses ou très humides, veillez à ce que l'eau ne pénètre pas dans la trémie** Les granulés de bois humides ou exposés à une forte humidité gonflent beaucoup, se décomposent et peuvent bloquer le système d'acheminement. Avant tout service ou entretien, débranchez toujours l'alimentation.

**Ne transportez pas votre gril lorsqu'il est en cours d'utilisation ou qu'il est chaud. Veillez à ce que le feu soit entièrement éteint et que le gril soit parfaitement froid au toucher avant de le déplacer.**

4. Le port de moufles ou gants pour barbecue résistants à la chaleur est recommandé lors de l'utilisation du gril. N'utilisez pas d'accessoires autres que ceux spécifiés pour cet appareil. Ne placez pas de housse pour barbecue ou tout objet inflammable dans l'espace de rangement situé sous le barbecue.

5. Pour éviter que les doigts, les vêtements ou d'autres objets n'entrent en contact avec le système d'acheminement de la vis sans fin, l'appareil est équipé d'un écran de sécurité en métal, monté à l'intérieur de la trémie. Cet écran ne doit pas être retiré, sauf avis contraire du service clients ou d'un revendeur agréé.

**Cet appareil n'est pas conçu pour être utilisé par des enfants, des personnes handicapées physiques, sensorielles ou mentales, ou par des personnes ne disposant pas de l'expérience ou des connaissances nécessaires à son fonctionnement, à moins qu'elles ne soient encadrées par une personne responsable de leur sécurité.**

6. Des éléments de ce barbecue peuvent être très chauds et entraîner des blessures graves. En cours d'utilisation, maintenez l'appareil hors de portée des jeunes enfants et des animaux.
7. N'élargissez pas les trous de l'allumeur ou les pots de combustion. Le non-respect de cet avertissement peut entraîner un incendie et des dommages corporels, cela annulera également votre garantie.
8. Le produit peut comporter des pièces ou des rebords coupants. Tout contact peut entraîner une blessure. Manipulez-les avec précaution.

## ÉLIMINATION DES CENDRES

Les cendres doivent être placées dans un récipient en métal avec couvercle hermétique. Le récipient fermé contenant les cendres doit être placé par terre ou sur une surface non combustible, loin de tout matériau combustible, en attendant son élimination finale. Lorsque les cendres sont éliminées par enterrement ou dispersées localement, elles doivent d'abord rester dans le récipient fermé jusqu'à leur refroidissement complet.

## GRANULÉS DE BOIS COMBUSTIBLES

L'appareil de cuisson par granulés est conçu pour être uniquement utilisé avec du bois combustible entièrement naturel sous forme de granulés. Tout autre combustible brûlé dans cet appareil annulera la garantie et les informations relatives à la sécurité. Vous devez utiliser uniquement des granulés de bois entièrement naturels, conçus pour brûler dans des barbecues à granulés. N'utilisez pas de combustible contenant des additifs. Les granulés de bois sont très sensibles à l'humidité et doivent toujours être stockés au sein d'un récipient hermétique. Si vous stockez votre gril sans l'utiliser durant une longue période, nous vous recommandons de retirer tous les granulés de la trémie et de la vis sans fin afin d'éviter tout bouchon. Le pouvoir calorifique moyen des granulés se situe entre 5,17 et 5,67 kWh/kg, avec un taux de cendre < 1%.

**N'utilisez pas d'alcool, d'essence, d'essence à briquet ou de pétrole pour allumer et raviver un feu dans votre gril. Maintenez tout liquide de ce genre à distance de l'appareil en cours d'utilisation.**

Au moment de l'impression de ce document, il n'existe aucune norme industrielle concernant les granulés de bois pour barbecue, même si la plupart des presses à agglomérer et à granuler des aliments utilisent les mêmes normes pour fabriquer des granulés de bois à usage domestique. Vous pouvez trouver de plus amples informations sur [www.pelletheat.org](http://www.pelletheat.org) ou sur **Pellet Fuel Institute**.

Contactez votre revendeur local pour en savoir plus sur la qualité des granulés dans votre région ou pour obtenir de plus amples informations sur la qualité d'une marque. Comme il n'existe aucun contrôle de la qualité des granulés utilisés et des granulés impactés par l'humidité, nous n'assumons aucune responsabilité relative aux dommages causés par un combustible de mauvaise qualité.

## CRÉOSOTE

La créosote, ou suie, est une substance similaire à du goudron. Lorsqu'elle brûle, elle produit une fumée noire composée d'un résidu de la même couleur. La suie ou créosote se forme lorsque l'appareil n'est pas utilisé correctement, par exemple en cas de blocage du ventilateur de combustion, de mauvais nettoyage ou entretien de la zone de combustion ou de mauvais ratio air/combustible.

Utiliser cet appareil est dangereux en cas de flamme sombre ou si le pot de combustion est trop plein de granulés. Lorsqu'elle s'enflamme, la créosote produit un feu très chaud et incontrôlé, similaire à un feu de graisse. Si cela arrive, éteignez l'appareil, laissez-le entièrement refroidir, puis inspectez-le pour effectuer un entretien et un nettoyage. La créosote s'accumule généralement dans les zones d'échappement.

Si de la crésote s'est formée au sein de l'appareil, faites chauffer ce dernier à faible température, éteignez-le, puis essuyez toute formation avec une serviette. Comme le goudron, la crésote est plus facile à nettoyer lorsqu'elle est chaude car elle se liquéfie.

## **MONOXYDE DE CARBONE (« le tueur silencieux »)**

Le monoxyde de carbone est un gaz incolore, inodore et sans goût, produit par la combustion de gaz, de bois, de propane, de charbon ou autre combustible. Le monoxyde de carbone diminue la capacité du sang à transporter l'oxygène. De faibles taux d'oxygène dans le sang peuvent entraîner des maux de tête, des vertiges, des sentiments de faiblesse, des nausées, des vomissements, des somnolences, des confusions, des pertes de conscience, ou la mort. Suivez ces instructions pour empêcher ce gaz incolore et inodore d'empoisonner vos proches ou vous-même :

- Consultez un médecin si un individu ou vous-même développez des symptômes rappelant ceux d'une grippe alors que vous cuisinez ou que vous êtes à proximité de l'appareil. L'empoisonnement au monoxyde de carbone, pouvant facilement être confondu avec un rhume ou une grippe, est souvent détecté trop tard.
- La consommation d'alcool, de drogue et de médicaments augmente les effets de l'empoisonnement au monoxyde de carbone.

Le monoxyde de carbone est particulièrement toxique pour les mères et leur bébé pendant la grossesse, pour les nouveau-nés, les personnes âgées, les fumeurs et les personnes présentant des problèmes du sang ou du système circulatoire, comme l'anémie ou les maladies cardiaques.

## **INFORMATIONS RELATIVES À LA SÉCURITÉ**

Conformément aux procédures et spécifications répertoriées dans l'UL Subject 2728A-2019 « appareils de cuisson à granulés » et l'ULC/ORD C2728-19 « équipement de combustion de granulés de bois. » Les appareils de cuisson à granulés de Pit Boss® Grills ont été testés indépendamment et sont répertoriés par le CSA (un laboratoire de test accrédité) selon les normes UL et ULC.



### **DÉCLARATION CONCERNANT LES DROITS D'AUTEUR**

Copyright 2020. Tous droits réservés. Aucune partie de ce manuel ne peut être copiée, transmise, transcrite ou stockée dans un système d'archivage, sous quelque forme ou par quelque moyen que ce soit, sans l'autorisation expresse écrite de :

#### **Dansons**

3411 North 5th Avenue, Suite 500, Phoenix, AZ, USA 85013  
sales@pitboss-grills.com | service@pitboss-grills.com  
[www.pitboss-grills.com](http://www.pitboss-grills.com)

#### **Service clients**

Du lundi au dimanche, de 4 h à 20 h HNP (EN/FR/ES)

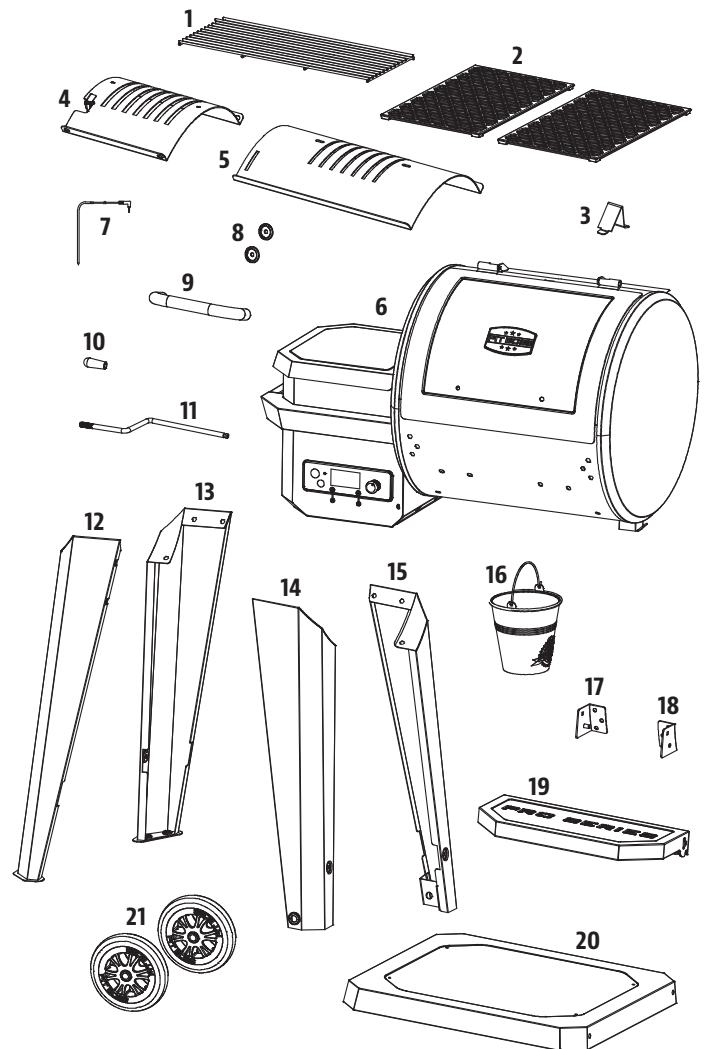
**Numéro gratuit : 1-877-303-3134, Fax : 1-877-303-3135**

# TABLE DES MATIÈRES

Informations concernant la sécurité .....	34	Entretien et maintenance .....	50
Pièces et spécifications .....	38	Utilisation du combustible en granulés de bois .....	51
Préparation de l'assemblage .....	39	Lignes directrices pour la cuisine .....	52
Instructions d'assemblage		Conseils et techniques .....	54
Montage des pieds sur le corps principal .....	39	Dépannage .....	55
Installation de l'étagère inférieure .....	40	Schéma du câblage électrique .....	57
Ajout des roues au chariot .....	40	Pièces de rechange	
Installation du panneau avant du chariot .....	40	Pièces de rechange du gril .....	58
Fixation du butoir de couvercle .....	40	Pièces de rechange de la trémie .....	59
Installation de la poignée du couvercle .....	41	Garantie	
Fixation des supports de l'étagère avant .....	41	Conditions .....	59
Installation de l'étagère avant .....	41	Exceptions .....	60
Installation des composants du diffuseur de chaleur .....	42	Commander des pièces de rechange .....	60
Installation des composants de cuisson .....	43	Contacter le service clients .....	60
Placement du seau à graisse .....	43	Service de la garantie .....	60
Connexion à une source d'alimentation .....	43	Recettes .....	61
Mode d'emploi			
Environnement du gril .....	44		
Plages de températures du gril .....	45		
Présentation du panneau de contrôle .....	46		
Présentation des sondes .....	47		
Présentation du paramètre « P » .....	47		
Procédure d'amorce de la trémie .....	48		
Première utilisation - brûlage du gril .....	48		
Procédure de démarrage automatique .....	48		
Procédure de démarrage manuel .....	49		
Arrêt de votre gril .....	49		

# PIÈCES ET SPÉCIFICATIONS

N.º	Description
1	Support de cuisson supérieur en acier émaillé (x1)
2	Grilles de cuisson en fonte à revêtement de porcelaine (x2)
3	Butoir pour couvercle (x1)
4	Plaque coulissante du diffuseur de chaleur (x1)
5	Plaque principale du diffuseur de chaleur (x1)
6	Assemblage gril principal/trémie (x1)
7	Sonde de cuisson (x1)
8	Bague de la poignée pour couvercle (x2)
9	Poignée pour couvercle (x1)
10	Poignée de la barre de réglage du grilloir à flamme (x1)
11	Barre de réglage du grilloir à flamme (x1)
12	Pied de support gauche - avant (x1)
13	Pied de support gauche - arrière (x1)
14	Pied de support droit - avant (x1)
15	Pied de support droit - arrière (x1)
16	Seau à graisse (x1)
17	Support pour étagère avant gauche (x1)
18	Support pour étagère avant droit (x1)
19	Étagère avant (x1)
20	Étagère inférieure (x1)
21	Roue (x2)
A	Vis (x22)
B	Rondelle (x18)
C	Rondelle de blocage (x16)
D	Bague (x2)
E	Goupille bêta pour roue (x2)
F	Rondelle pour roue (x2)
G	Goupille cannelée pour roue (x2)
H	Vis (x2)
I	Écrous (x2)



NOTA: debido a que el producto está en desarrollo constante, las piezas están sujetas a cambios sin previo aviso. Póngase en contacto con el equipo de Atención al Cliente si durante el montaje de la unidad observa que falta alguna pieza.

## PB – REQUISITOS ELÉCTRICOS

110-120V, 60HZ, 250W, ENCHUFE DE 3 PATILLAS CON CONEXIÓN A TIERRA

MODÈLE	APPAREIL MONTÉ (L x H x P)	POIDS	ZONE DE CUISSON	PLAGE DE TEMPÉRATURES
PB PB600PS1	961 MM x 815 MM x 1,187 MM 37,8 PO. x 32,0 PO. x 46,7 PO.	57,5 KG / 126,7 LB	PRINCIPALE - 2 651 CM <sup>2</sup> / 411 PO <sup>2</sup> GRILLE SUPÉRIEURE - 1 229 CM <sup>2</sup> / 190,5 PO <sup>2</sup> TOTAL - 3 880 CM <sup>2</sup> / 601,5 PO <sup>2</sup>	82-260°C / 180-500°F

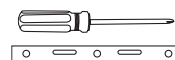
# PRÉPARATION DE L'ASSEMBLAGE

Les pièces se trouvent partout dans le carton d'expédition, y compris sous le grill. Inspectez le grill, les pièces et le sachet de quincaillerie après les avoir retirés du carton d'expédition. Débarrassez-vous de tous les emballages intérieurs et extérieurs du grill avant de procéder à l'assemblage, puis passez en revue et inspectez toutes les pièces en vous référant à la liste. Si une pièce manque ou est endommagée, ne procédez pas à l'assemblage. Les dégâts liés à l'envoi ne sont pas couverts par la garantie. Contactez votre revendeur ou le service clients de Pit Boss® concernant ces pièces : du lundi au dimanche, de 4 h à 20 h HP (EN/FR/ES).

[service@pitboss-grills.com](mailto:service@pitboss-grills.com) | NUMÉRO GRATUIT : 1-877-303-3134 | FAX GRATUIT : 1-877-303-3135

**IMPORTANT : pour faciliter l'installation et éviter des blessures, il est recommandé de mettre deux personnes à contribution lors de l'assemblage de l'appareil.**

Outils nécessaires pour l'assemblage : un tournevis et un niveau. *Ces outils ne sont pas fournis.*



## INSTRUCTIONS D'ASSEMBLAGE

**IMPORTANT : nous vous conseillons de lire entièrement chaque étape avant de procéder à l'assemblage conformément aux instructions. Ne serrez pas totalement les vis avant que toutes les vis de cette étape soient installées. L'assemblage de pièces impliquant une rondelle de blocage et une rondelle doit être effectué en plaçant la rondelle de blocage le plus près possible de la tête de la vis.**

### 1. MONTAGE DES PIEDS SUR LE CORPS PRINCIPAL

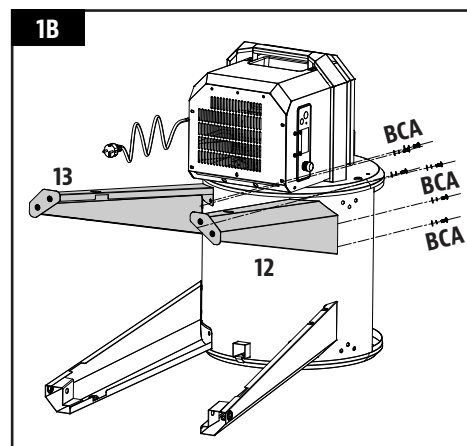
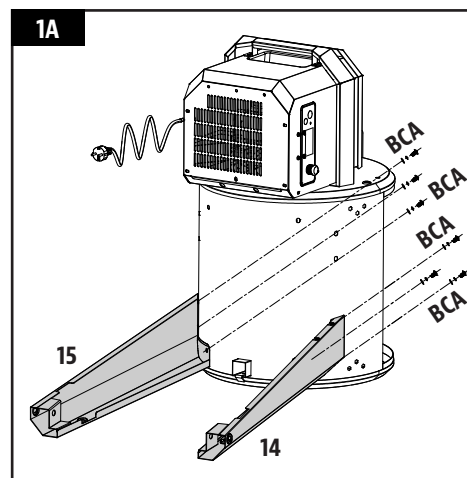
Pièces nécessaires :

- 1 x Assemblage grill principal/trémie (#6)
- 1 x Pied de support gauche - avant (#12)
- 1 x Pied de support gauche - arrière (#13)
- 1 x Pied de support droit - avant (#14)
- 1 x Pied de support droit - arrière (#15)
- 12 x Vis (#A)
- 12 x Rondelle (#B)
- 12 x Rondelle de blocage (#C)

Installation :

- Placez un bout de carton sur le sol afin d'éviter d'érafler l'appareil et les pièces durant l'assemblage. Posez le corps principal sur le côté, sur le carton, l'extrémité de la trémie dirigée vers le haut.
- Montez le pied de support avant droit sur l'extrémité du corps principal placée sur le sol à l'aide de trois vis, rondelles de blocage et rondelles, à travers les trois trous prépercés. Installez les vis via l'intérieur du corps principal. Répétez la procédure pour le pied de support arrière droit. Consultez l'illustration 1A.
- Montez ensuite le pied de support avant gauche sur l'extrémité du corps principal du côté de la trémie à l'aide de trois vis, rondelles de blocage et rondelles, à travers les trois trous prépercés. Installez les vis via l'intérieur du corps principal. Répétez la procédure pour le pied de support arrière gauche. Consultez l'illustration 1B.

**Ne serrez pas totalement les vis avant que l'étagère inférieure ne soit installée lors de l'étape suivante.**



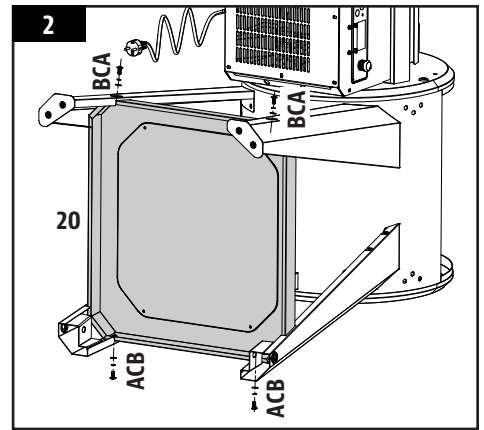
## 2. INSTALLATION DE L'ÉTAGÈRE INFÉRIEURE

### Pièces nécessaires :

- 1 x Étagère inférieure (#20)
- 4 x Vis (#A)
- 4 x Rondelle (#B)
- 4 x Rondelle de blocage (#C)

### Installation :

- Fixez l'étagère inférieure sur chaque pied de support avec une vis, une rondelle de blocage et une rondelle. Assurez-vous que la surface plane de l'étagère est orientée vers le haut, en direction du corps du gril.



## 3. AJOUT DES ROUES AU CHARIOT

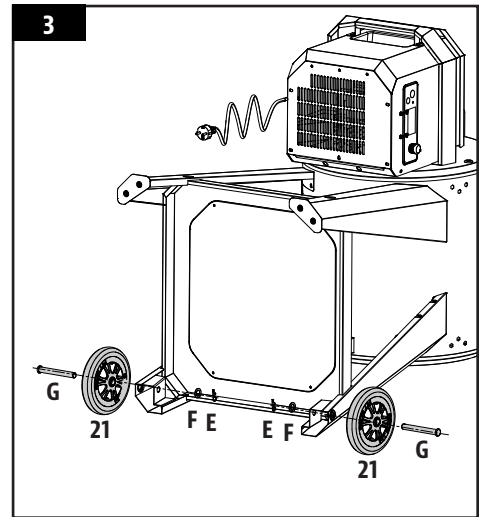
### Pièces nécessaires :

- 2 x Roue (#21)
- 2 x Goupille bêta pour roue (#E)
- 2 x Rondelle pour roue (#F)
- 2 x Goupille cannelée pour roue (#G)

### Installation :

- Fixez chaque roulette à chaque pied de support droit en insérant la goupille cannelée dans la roue, dans le trou du pied de support et dans la rondelle de la roue, puis fixez le tout avec une goupille bêta.
- Une fois l'étagère attachée, placez précautionneusement le gril en position verticale.

**IMPORTANT :** resserrez les vis des pieds de support pour vous assurer qu'elles sont complètement fixées après avoir positionné le gril à la verticale.



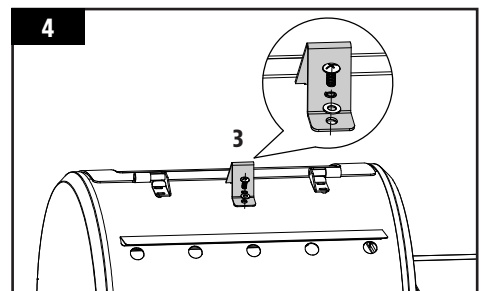
## 4. FIXATION DU BUTOIR DE COUVERCLE

### Pièces nécessaires :

- 1 x Butoir pour couvercle (#3)

### Installation :

- Attachez le butoir pour couvercle en haut du corps principal à l'aide des vis préinstallées qui se trouvent sur le dessus du corps principal.





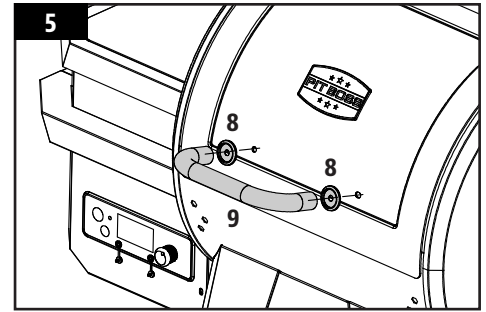
## 5. INSTALLATION DE LA POIGNÉE DU COUVERCLE

### Pièces nécessaires :

- 2 x Bague de la poignée pour couvercle (#8)
- 1 x Poignée pour couvercle (#9)

### Installation :

- Retirez les vis préinstallées de la poignée du couvercle. De l'intérieur du couvercle du corps, insérez une vis afin qu'elle dépasse de l'autre côté. Ajoutez une bague à la vis. Ajoutez une bague sur la vis, puis serrez-la à la main (de l'intérieur) dans la poignée du couvercle. Répétez l'opération pour l'autre côté.



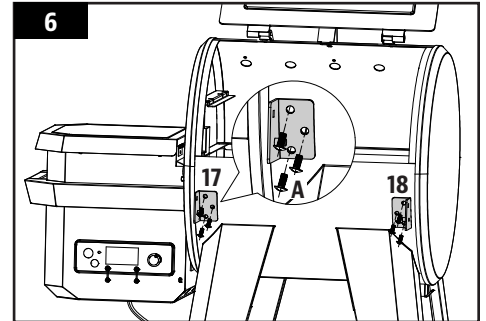
## 6. FIXATION DES SUPPORTS DE L'ÉTAGÈRE AVANT

### Pièces nécessaires :

- 1 x Support pour étagère avant gauche (#17)
- 1 x Support pour étagère avant droit (#18)
- 6 x Vis (#A)

### Installation :

- Fixez un support pour étagère avant à l'avant du corps de grill à l'aide de trois vis. Insérez chaque vis à moitié, puis serrez-les complètement lorsque les trois vis sont montées et alignées correctement.
- Répétez la même procédure pour l'autre support pour étagère avant.



## 7. INSTALLATION DE L'ÉTAGÈRE AVANT

### Pièces nécessaires :

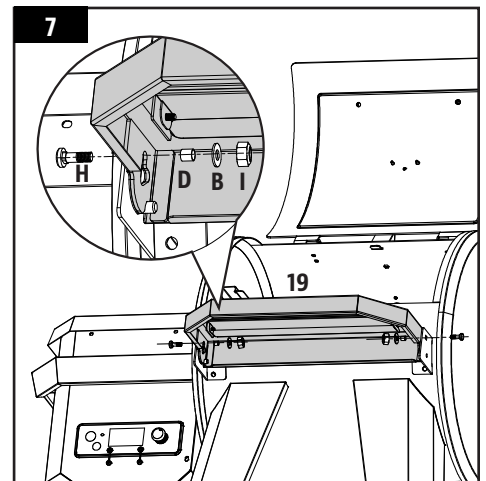
- 1 x Étagère avant (#19)
- 2 x Rondelle (#B)
- 2 x Vis (#H)
- 2 x Écrous (#I)
- 2 x Bague (#D)

### Installation :

- En passant par le dessous, insérez la vis (par l'extérieur) dans le support pour étagère avant et l'étagère avant, puis ajoutez la bague dans la vis, la rondelle et l'écrou. Répétez la procédure pour l'autre côté de l'étagère avant.

**REMARQUE :** lorsqu'elle est installée correctement, l'étagère avant peut être relevée (pour utilisation) et abaissée (pour le stockage) en toute simplicité.

**IMPORTANT :** évitez d'utiliser les étagères pour déplacer ou soulever le grill. Le poids de l'appareil provoquerait la rupture des étagères, ce qui n'est pas couvert par la garantie.



## 8. INSTALLATION DES COMPOSANTS DU DIFFUSEUR DE CHALEUR

### Pièces nécessaires :

- 1 x Plaque coulissante du diffuseur de chaleur (#4)
- 1 x Plaque principale du diffuseur de chaleur (#5)
- 1 x Poignée de la barre de réglage du grilloir à flamme (#10)
- 1 x Barre de réglage du grilloir à flamme (#11)

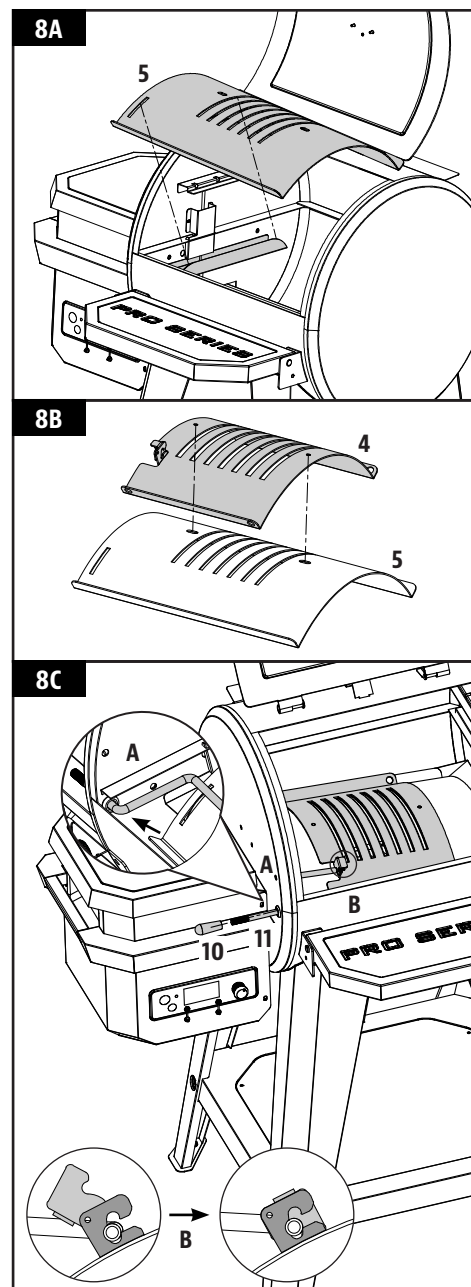
### Installation :

- Insérez la plaque principale du diffuseur de chaleur dans le gril principal en commençant par le côté droit. Posez la plaque principale du diffuseur de chaleur sur le rebord intégré (à l'intérieur, à droite) du gril principal dirigeant la graisse vers le seau. Faites coulisser toute la pièce vers le côté gauche, ainsi, les deux fentes de la plaque principale du diffuseur de chaleur s'ajusteront dans le rebord arrondi situé au-dessus du pot de combustion. Il adoptera un angle légèrement incliné vers le bas. Consultez l'illustration 8A.

**IMPORTANT : si la plaque principale du diffuseur de chaleur se trouve sur la base du corps, son installation est incorrecte. Le diffuseur de chaleur doit être en biais, avec le côté gauche plus élevé que le côté droit. Une mauvaise installation de cette pièce peut endommager le baril de votre gril principal.**

- Placez la plaque coulissante du diffuseur de chaleur au-dessus de la plaque principale, recouvrant les fentes. Veillez à ce que la languette relevée se trouve sur la gauche afin de faciliter l'utilisation d'une flamme directe ou indirecte lors de la cuisson. Consultez l'illustration 8B. Les deux plaques du diffuseur de chaleur sont légèrement recouvertes d'huile pour éviter l'apparition de rouille lors de l'envoi.
- Puis, retirez la poignée de la barre de réglage du diffuseur de chaleur. Insérez la barre de réglage du diffuseur de chaleur dans le trou situé sur le côté gauche du corps principal. Ajoutez la poignée de la barre de réglage du diffuseur de chaleur sur l'extrémité à l'extérieur du corps de l'appareil. Glissez ensuite l'extrémité crantée de la barre de réglage dans la languette de verrouillage de la plaque coulissante du diffuseur de chaleur, ce qui vous donne un accès facile à la plaque coulissante du diffuseur de chaleur de la plaque principale. Consultez les étapes de l'illustration 8C.

**REMARQUE : lorsque la plaque coulissante du diffuseur de chaleur est ouverte, une flamme directe est utilisée, ne laissez jamais le gril sans surveillance.**



## 9. INSTALLATION DES COMPOSANTS DE CUISSON

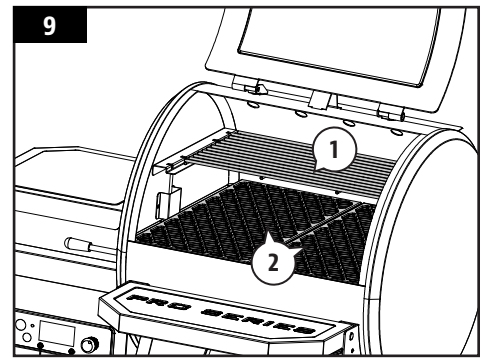
### Pièces nécessaires :

- 1 x Support de cuisson supérieur en acier émaillé (#1)
- 2 x Grilles de cuisson en fonte à revêtement de porcelaine (#2)

### Installation :

- Placez les grilles de cuisson, côte à côte, sur les rebords de la grille à l'intérieur des deux corps principaux. Placez les supports de cuisson supérieurs sur les rebords supérieurs à l'intérieur des deux corps principaux. La grille de cuisson se verrouille en place.

**REMARQUE : pour conserver les performances de cuisson et de gril de vos grilles de cuisson, une maintenance et un entretien réguliers sont nécessaires.**



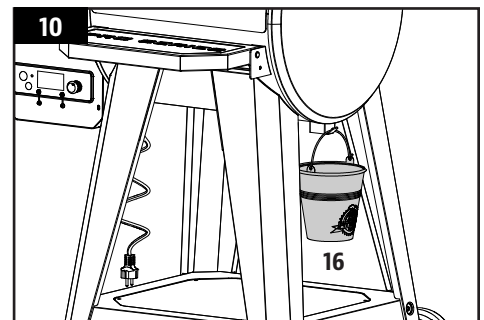
## 10. PLACEMENT DU SEAU À GRAISSE

### Pièces nécessaires :

- 1 x Seau à graisse (#16)

### Installation :

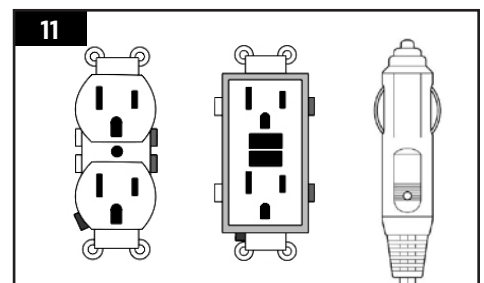
- Placez le seau à graisse sur le crochet, à l'extrémité du corps principal. Veillez à ce qu'il soit bien droit pour éviter que la graisse ne se déverse.
- L'appareil est désormais entièrement assemblé.



## 11. CONNEXION À UNE SOURCE D'ALIMENTATION

- **PRISE STANDARD**  
Cet appareil fonctionne à 110-120 V, 60 Hz, 250 W. Il doit s'agir d'une prise de terre à 3 broches. Veillez à ce que la broche reliée à la terre ne soit pas cassée avant utilisation. Le panneau de contrôle utilise un fusible rapide de 110-120 V afin de protéger le panneau de l'allumeur.
- **PRISES DDFT**  
Cet appareil fonctionnera sur la plupart des prises DDFT, avec un fonctionnement recommandé à 15 A. Si votre prise DDFT est très sensible aux surtensions, elle risque de disjoncter lors de la phase de démarrage. Durant le démarrage, l'allumeur nécessite 200 à 700 watts, ce qui peut représenter une trop grande puissance à gérer pour une prise DDFT. À chaque coupure, sa sensibilité augmente. Si la prise DDFT ne cesse de disjoncter, remplacez-la ou passez à une prise non DDFT.
- **EN VADROUILLE**  
Déconnectez l'allumeur du faisceau de câbles principal. Utilisez la procédure de démarrage manuel. Un appareil Pit Boss® peut fonctionner à l'aide d'un onduleur de 12 volts et 100 watts branché à votre prise automobile. Pour utiliser l'allumeur automatique, il est recommandé d'utiliser au minimum un onduleur de 1 000 watts.

**IMPORTANT : déconnectez l'appareil de la source d'alimentation lorsque vous ne l'utilisez pas.**



# MODE D'EMPLOI

*Comme notre mode de vie actuel vise à manger des aliments sains et nutritifs, l'un des facteurs à prendre en compte est l'importance de la réduction de la consommation de graisse. L'une des meilleures façons de limiter les graisses dans votre régime alimentaire est d'utiliser une méthode de cuisson pauvre en graisse, telle que le grillage. Étant donné qu'un gril à granulés utilise des granulés de bois naturel, le savoureux parfum du bois s'imprègne dans la viande, réduisant ainsi l'ajout de sauces à haute teneur en sucre. En lisant ce manuel, vous remarquerez l'importance donnée au grillage lent des aliments à température BASSE ou MOYENNE.*

## ENVIRONNEMENT DU GRIL

### 1. OÙ INSTALLER LE GRIL

Comme pour tous les appareils d'extérieur, les conditions météorologiques jouent un rôle important dans les performances de votre gril et le temps de cuisson nécessaire pour parfaire vos plats.

Tous les appareils de Pit Boss® doivent respecter un espace minimum de 914 mm (36 pouces) avec les constructions combustibles et cet espacement doit être maintenu lorsque le gril est en cours de fonctionnement. Cet appareil ne doit pas être placé sous un plafond ou un surplomb combustible. Placez votre gril dans une zone sans matériaux combustibles, essence, ni autres vapeurs et liquides inflammables.

### 2. CUISINER PAR TEMPS FROID

Alors que le temps se refroidit, vous ne devez pas pour autant arrêter de manger des grillades ! L'air frais et les arômes divins de la cuisine fumée vous aideront à lutter contre la dépression saisonnière.

Suivez ces suggestions sur la manière de profiter de votre gril lors des mois froids :

- Si vous n'arrivez pas à cuire à faible température, augmentez légèrement la température pour obtenir le même résultat.
- Organisez-vous : placez tout ce dont vous avez besoin à disposition dans la cuisine avant de sortir. Au cours de l'hiver, placez votre gril dans une zone à l'abri du vent et de l'exposition directe au froid. Consultez les règlements locaux concernant la proximité de votre gril en lien avec votre maison et/ou d'autres structures. Placez tout ce dont vous avez besoin sur un plateau, couvrez-vous bien et c'est parti !
- Pour suivre la température extérieure, placez un thermomètre près de votre zone de cuisson. Conservez un historique de ce que vous avez cuisiné, de la température extérieure et du temps de cuisson. Cela vous aidera ultérieurement lorsque vous êtes en vadrouille pour déterminer ce que vous pouvez cuire et le temps nécessaire.
- Lorsqu'il fait vraiment froid, augmentez votre temps de préchauffage d'au moins 20 minutes.
- Évitez de soulever le couvercle plus que nécessaire. De froides rafales de vent peuvent refroidir complètement la température de votre gril. Ne vous imposez pas une heure précise pour servir le repas et ajoutez du temps de cuisson dès que vous ouvrez le couvercle.
- Gardez un plat chauffé ou un couvercle de plat à disposition pour maintenir votre plat au chaud le temps de revenir à l'intérieur.
- Les repas idéaux pour cuisiner en hiver sont ceux ne nécessitant que peu d'attention, tels que les rôtis, les poulets entiers, les côtes et la dinde. Facilitez davantage votre repas en ajoutant des aliments simples, tels que des légumes et des pommes de terre.

### 3. CUISINER PAR TEMPS CHAUD

Lorsque le temps se réchauffe, le temps de cuisson diminue.

Suivez ces quelques suggestions sur la manière de profiter de votre gril lors des mois chauds :

- Diminuez la température de cuisson. Cela permet d'éviter des flambées involontaires.
- Utilisez un thermomètre de cuisson pour déterminer la température interne de vos aliments. Vous éviterez ainsi de trop cuire ou d'assécher votre viande.
- Même lorsqu'il fait chaud, cuire vos aliments en laissant le couvercle de votre gril fermé est recommandé.
- Vous pouvez conserver la chaleur de vos aliments en les enroulant dans du papier aluminium et en les plaçant dans une glacière isotherme. Amassez du papier journal froissé autour du papier aluminium pour maintenir vos aliments au chaud pendant 3 à 4 heures.

## PLAGES DE TEMPÉRATURES DU GRIL

**Le relevé de température du panneau de contrôle peut légèrement différer de celui du thermomètre. Toutes les températures listées ci-dessous sont des approximations et sont impactées par les facteurs suivants : température extérieure ambiante, quantité et direction du vent, qualité des granulés utilisés, ouverture du couvercle et quantité d'aliments en train de cuire.**

#### • TEMPÉRATURE ÉLEVÉE (205-260°C / 401-500°F)

Cette plage est adaptée pour saisir et griller à haute température. Utilisez-la en combinaison avec le diffuseur de chaleur (plaque coulissante) pour cuire à l'aide d'une flamme directe ou indirecte. Lorsque le **diffuseur de chaleur est ouvert**, une flamme directe permet d'effectuer une cuisson « bleue » de la viande et de griller des légumes, des toasts à l'ail ou des s'mores ! Lorsque le **diffuseur de chaleur est fermé**, l'air circule autour du corps de l'appareil, permettant un chauffage par convection. Une forte température permet également de préchauffer votre gril, de brûler les grilles de cuisson et d'atteindre une chaleur élevée lorsqu'il fait extrêmement froid.

#### • TEMPÉRATURE MOYENNE (135-180°C / 275-356°F)

Cette plage est adaptée pour rôtir, imiter une cuisson au four ou parfaire un plat lentement fumé. Cuire à ces températures réduira considérablement les risques de flambée de graisse. Veillez à ce que la plaque coulissante du diffuseur de chaleur soit fermée, recouvrant les fentes. Cette plage est excellente pour cuire des aliments entourés de bacon ou lorsque vous souhaitez un contrôle plus polyvalent.

#### • BASSE TEMPÉRATURE (82-125°C / 180-257°F)

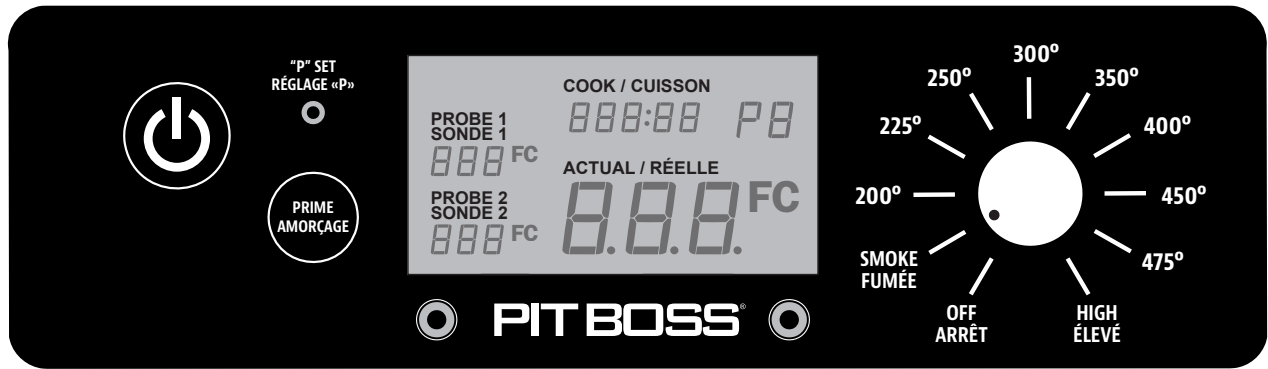
Cette plage permet de rôtir lentement, d'obtenir une saveur fumée plus forte et de maintenir les aliments au chaud. Infusez vos viandes d'une saveur fumée et assurez-vous qu'elles restent juteuses en adoptant une cuisson plus lente à basse température (aussi nommée méthode **low and slow**). Grandement recommandée pour la dinde de Thanksgiving, le juteux jambon de Pâques ou l'immense festin des fêtes de fin d'année.








Fumer les aliments est l'une des possibilités de la cuisson au barbecue, ce procédé est le réel avantage d'un gril à granulés de bois. Le **fumage à chaud**, autre nom du **low and slow**, s'effectue généralement entre 82 et 125 °C/180 et 257 °F. Le fumage à chaud fonctionne mieux lorsqu'un temps de cuisson plus long est nécessaire, par exemple pour de grosses pièces de viande, de poisson ou de volaille.

**ASTUCE : pour intensifier la saveur, passez en température smoke (basse) immédiatement après avoir posé vos aliments sur le gril. La fumée peut alors pénétrer dans la viande.**

Le secret est de tester la durée de fumage nécessaire avant que le repas ne soit entièrement cuit. Certains chefs cuisiniers d'extérieur préfèrent effectuer le fumage en fin de cuisson, permettant ainsi à la nourriture de rester au chaud jusqu'à ce qu'elle soit servie. La pratique est mère de la perfection !

## PRÉSENTATION DU PANNEAU DE CONTRÔLE



CONTRÔLE	DESCRIPTION
	Appuyez sur le <b>bouton d'alimentation</b> pour allumer l'appareil. Le bouton deviendra bleu si l'appareil est alimenté. Appuyez de nouveau sur le bouton pour éteindre l'appareil.
	La <b>molette de contrôle de température</b> vous permet de définir la température de fumage souhaitée. Une fois l'appareil connecté à une source d'alimentation et allumé, tournez la molette et sélectionnez l'un des dix pré-réglages de température, entre 82 et 260 °C/180 et 500 °F. Lorsque la molette est placée sur un pré-réglage de température, l'écran LCD numérique s'allume, il est alors prêt à être utilisé. Lorsque la molette est sur OFF, l'écran LCD reste éteint.
	Le <b>bouton « "P" Set »</b> permet de sélectionner parmi huit ajustements lorsque la molette de contrôle de température est placée sur « smoke ». Appuyez sur le bouton pour modifier la configuration et l'adapter à votre mode et environnement de cuisson. En <u>appuyant rapidement</u> sur le bouton, la configuration passe de P0 à P7, puis recommence au début. Les ajustements sont uniquement possibles en mode « smoke ». Le réglage d'usine par défaut est « P4 ». Une fois la configuration ajustée, votre préférence sera verrouillée (enregistrée) jusqu'à sa modification.  Le <b>bouton « "P" Set »</b> fait également office de <b>commutateur de température</b> afin de modifier le relevé de température sur l'écran LCD. Maintenez le <b>bouton appuyé</b> durant deux secondes pour passer des degrés Celsius (°C) à Fahrenheit (°F) selon votre préférence. Par défaut, l'appareil utilise les Fahrenheit.
	L' <b>écran LCD</b> fait office de centre d'information sur votre appareil. L'écran LCD affichera la température de cuisson souhaitée, la température de cuisson réelle et la température de la sonde de cuisson (si celle-ci est connectée). Si une seule sonde de cuisson est connectée, un seul relevé s'affichera.
	Maintenez appuyé le <b>bouton Prime</b> pour acheminer plus de granulés vers le pot de combustion. Ce processus peut permettre d'ajouter plus de combustible au feu avant d'ouvrir le couvercle, entraînant une récupération de chaleur rapide. Il peut également s'utiliser en cours de fumage afin d'augmenter l'intensité du parfum fumé. Cette option a été demandée par les cuisiniers participant à des concours.
	Le <b>paramètre Smoke</b> de la molette de contrôle de température est le mode de démarrage de l'appareil. Le grill fonctionne à la température la plus basse, sans que le feu ne se déclenche.
	Le ou les ports de raccordement situés à l'avant du panneau de contrôle sont destinés à la/aux <b>sonde(s) de cuisson</b> . Lorsqu'une sonde de cuisson est connectée, la température s'affiche sur l'écran LCD. Lorsque vous ne l'utilisez pas, débranchez la sonde de cuisson du port de raccordement. <i>Uniquement compatible avec les sondes de cuisson de la marque Pit Boss®. Vous pouvez acheter une ou plusieurs sondes de cuisson séparément.</i>



## PRÉSENTATION DES SONDÉS

### • *SONDE DE TEMPÉRATURE*

La sonde de température se trouve dans le corps principal, sur la paroi de gauche. Il s'agit d'une petite pièce verticale en acier inoxydable. La sonde de température mesure la température interne de l'appareil. Lorsque la température est ajustée sur le panneau de contrôle, la sonde de température relèvera la température réelle à l'intérieur de l'appareil et l'ajustera à la température souhaitée.

**IMPORTANT : la température de votre appareil est très impactée par la température extérieure ambiante, la qualité des granulés utilisés, le parfum des granulés et la quantité d'aliments en train de cuire.**

### • *SONDE DE CUISSON*

La sonde de cuisson mesure la température interne de votre viande sur le gril, tout comme dans votre four. Reliez l'adaptateur de la sonde de cuisson au port de raccordement situé sur le panneau de contrôle et insérez la sonde de cuisson en acier inoxydable dans la portion la plus épaisse de votre viande et la température s'affichera sur le panneau de contrôle. **Lorsque la sonde de cuisson est bien connectée au port de raccordement, vous sentez et entendez son enclenchement.**

**REMARQUE : lorsque vous placez la sonde de cuisson dans votre viande, veillez à ce que celle-ci et les câbles ne soient pas en contact direct avec la flamme ou une source de chaleur excessive. Cela pourrait endommager votre sonde de cuisson. Faites passer l'excès de câble via le trou situé du côté gauche du gril principal (près du gond du couvercle). Lorsque vous ne l'utilisez pas, débranchez la sonde de cuisson du port de raccordement et mettez-la de côté en veillant à ce qu'elle reste propre et en sécurité.**

## PRÉSENTATION DU PARAMÈTRE « P »

Lorsque le bouton encastré « P SET » est enclenché, le paramètre « P » affiché sur l'écran LCD clignotera et passera à la valeur suivante (incrémentation). Une fois arrivé à P7, l'option suivante sera de nouveau P0. Il existe huit paramètres « P », allant de P0 à P7. Le bouton encastré « P SET » peut être enclenché à l'aide d'un objet fin.

**IMPORTANT : n'appuyez pas trop fort sur le bouton « P SET » car cela pourrait l'endommager. Une simple légère pression est nécessaire.**

### • *UTILISER LE PARAMÈTRE « P » EN MODE « SMOKE »*

Dès que la molette de température est placée sur SMOKE, par exemple pour le cycle de démarrage, la vis sans fin passe en mode manuel de cuisson au lieu d'un pré-réglage de température. Tout d'abord, la vis sans fin tournera en continu et acheminera des granulés durant quatre minutes. Une fois ce temps écoulé, la vis sans fin mettra en place un cycle d'acheminement en fonction du paramètre « P » sélectionné sur le panneau de contrôle numérique. Le paramètre par défaut est P4.

"P" SET	CYCLE DE LA VIS SANS FIN (SECONDES)	
	ACTIVÉ	DÉSACTIVÉ
P0	12	80
P1	12	95
P2	12	110
P3	12	125
<b>*P4</b>	<b>12</b>	<b>140</b>
P5	12	150
P6	12	160
P7	12	170

*\*Réglage d'usine par défaut*

## PROCÉDURE D'AMORCE DE LA TRÉMIE

Ces instructions doivent être respectées lors du premier allumage du gril et à chaque fois qu'il n'y a plus de granulés dans la trémie. La vis sans fin doit être amorcée pour permettre aux granulés de traverser la trémie et remplir le pot de combustion. **Si elle n'est pas amorcée, l'allumeur stoppera avant que les granulés ne soient brûlés et aucun feu ne prendra.** Suivez ces étapes pour amorcer la trémie :

1. Ouvrez le couvercle de la trémie. Assurez-vous qu'aucun objet étranger ne se trouve dans la trémie ou ne bloque le système d'acheminement de la vis sans fin au fond.
2. Retirez tous les composants de cuisson de l'intérieur du gril. Localisez le pot de combustion au bas du corps principal.
3. Branchez le câble électrique à une source d'alimentation. Appuyez sur le **bouton d'alimentation** pour allumer l'appareil et tournez la **molette de contrôle de température** sur la position SMOKE. Vérifiez les éléments suivants :
  - Que vous entendez la vis sans fin tourner. Placez votre main au-dessus du pot de combustion et cherchez la circulation d'air. Ne placez pas votre main ou vos doigts à l'intérieur du pot de combustion. Cela peut provoquer des blessures.
  - Après environ une minute, vous devriez sentir l'odeur de l'allumeur qui brûle et commencer à ressentir que l'air devient plus chaud dans le pot de combustion. L'extrémité de l'allumeur ne devient pas rouge, mais est néanmoins brûlante. Ne touchez pas l'allumeur.
4. Après avoir vérifié que les composants électriques fonctionnent correctement, appuyez sur le **bouton d'alimentation** pour éteindre l'appareil.
5. Remplissez la trémie avec des granulés de bois naturel pour barbecue.
6. Appuyez sur le **bouton d'alimentation** pour allumer l'appareil. Laissez la **molette de contrôle de température** sur SMOKE. Maintenez le **bouton Prime** appuyé jusqu'à voir des granulés à l'intérieur du gril via le tube de la vis sans fin. Lorsque les granulés commencent à passer dans le pot de combustion, relâchez le **bouton Prime**.
7. Appuyez sur le **bouton d'alimentation** pour éteindre l'appareil.
8. Réinstallez les composants dans le corps principal. Le gril est désormais prêt à être utilisé.

## PREMIÈRE UTILISATION - BRÛLAGE DU GRIL

Une fois votre trémie amorcée et avant de faire cuire des aliments sur votre gril pour la première fois, il est important d'effectuer un brûlage du gril. Allumez le gril et faites-le tourner à une température supérieure à 176 °C/350 °F (couvercle fermé) durant 30 à 40 minutes afin de brûler le gril et vous débarrasser de toute substance étrangère.

## PROCÉDURE DE DÉMARRAGE AUTOMATIQUE

1. Branchez le câble électrique à une source d'alimentation mise à la terre. Ouvrez le couvercle du corps principal. Vérifiez que le pot de combustion n'est pas obstrué afin que l'allumage se fasse correctement. Ouvrez le couvercle de la trémie. Assurez-vous qu'aucun objet étranger ne se trouve dans la trémie ou le système d'acheminement de la vis sans fin. Remplissez la trémie avec des granulés secs de bois naturel pour barbecue.
2. Veillez à ce que la **molette de contrôle de température** soit en position SMOKE. Appuyez sur le **bouton d'alimentation** pour allumer l'appareil. Cela activera le cycle de démarrage. Le système d'acheminement de la vis sans fin commencera à tourner, l'allumeur commencera à rougeoier et le ventilateur aérera le pot de combustion. Le gril commencera à produire de la fumée lorsque le cycle de démarrage se mettra en place. Le couvercle du corps de l'appareil doit rester ouvert au cours du cycle de démarrage. Pour veiller à ce que le cycle de démarrage commence correctement, soyez à l'affût d'un grondement de flamme et assurez-vous de la production de chaleur.
3. Une fois l'épaisse fumée blanche dissipée, le cycle de démarrage sera terminé et vous pourrez commencer à profiter de votre gril à la température de votre choix !



## PROCÉDURE EN CAS DE PROBLÈME D'ALLUMEUR

**Si pour une raison quelconque votre allumeur électrique ne fonctionne pas ou que la flamme de votre gril s'éteint en cours de cuisson, utilisez les étapes suivantes ou lancez votre gril en mode manuel.**

1. Veillez à ce que la **molette de contrôle de température** soit en position SMOKE. Ouvrez le couvercle du corps de l'appareil. Retirez les composants de cuisson de l'intérieur. Retirez tous les granulés non brûlés et les cendres du pot de combustion. Évitez de toucher l'allumeur pour ne pas vous blesser car celui-ci peut être extrêmement chaud.
2. Une fois tous les composants de cuisson retirés et nettoyés, appuyez sur le **bouton d'alimentation** pour allumer l'appareil. Vérifiez ce qui suit :
  - Confirmez visuellement que l'allumeur fonctionne en plaçant votre main au-dessus du pot de combustion en quête de chaleur.
  - Confirmez visuellement que l'allumeur dépasse d'environ 13 mm/0,5 po dans le pot de combustion.
  - Confirmez visuellement que la vis sans fin achemine des granulés dans le pot de combustion.
  - Confirmez que le ventilateur de combustion fonctionne en étant à l'affût d'un grondement de flamme.
3. Si l'un des points ci-dessus ne fonctionne pas, suivez les instructions de **dépannage**.

## PROCÉDURE DE DÉMARRAGE MANUEL

1. Veillez à ce que la **molette de contrôle de température** soit en position **SMOKE**. Branchez le câble électrique à une source d'alimentation mise à la terre.
2. Vérifiez que le pot de combustion n'est pas obstrué afin que l'allumage se fasse correctement. Ouvrez le couvercle de la trémie. Assurez-vous qu'aucun objet étranger ne se trouve dans la trémie ou le système d'acheminement de la vis sans fin. Remplissez la trémie avec des granulés secs de bois naturel pour barbecue.
3. Ouvrez le couvercle du corps de l'appareil. Retirez les composants de cuisson pour que le pot de combustion soit apparent. Placez une bonne poignée de granulés dans le pot de combustion. Aspergez un allume-feu gélifié, ou un autre produit permettant de faire brûler les granulés, au-dessus des granulés. Une petite quantité d'allume-feu solide, par exemple composé de sciure et de cire, ou encore des copeaux, fonctionnent également. Ajoutez une autre petite quantité de granulés dans le pot de combustion.

**REMARQUE : n'utilisez pas d'alcool, d'essence, d'essence à briquet ou de pétrole pour allumer et raviver un feu dans votre gril.**

4. Mettez feu au contenu du pot de combustion à l'aide d'une longue allumette ou d'un briquet à long bec. Laissez le produit d'allumage brûler durant 3 à 5 minutes. N'essayez pas d'ajouter plus de produit dans le pot de combustion. Cela peut provoquer des blessures.
5. Placez rapidement et avec soin les composants de cuisson à l'intérieur du corps principal de l'appareil. Continuez le démarrage à l'étape deux de la **Procédure de démarrage automatique**.

## ARRÊT DE VOTRE GRIL

1. Lorsque vous avez fini de cuisiner, tout en laissant le couvercle du corps principal fermé, appuyez sur le **bouton d'alimentation** pour éteindre l'appareil et placez la **molette de contrôle de température** sur OFF. Le gril débutera son cycle de refroidissement automatique. Le système de la vis sans fin arrêtera d'acheminer des combustibles, la flamme s'éteindra et le ventilateur continuera à tourner jusqu'à la fin du cycle de refroidissement.

# ENTRETIEN ET MAINTENANCE

**ATTENTION : débranchez toujours le câble électrique avant d'ouvrir le grill pour effectuer une inspection, un nettoyage, une maintenance ou un entretien. Veillez à ce que le grill soit totalement froid afin d'éviter toute blessure.**

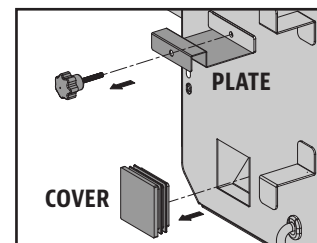
Avec un minimum d'entretien, chaque appareil de Pit Boss® vous confèrera de nombreuses années de service riches en saveurs. Suivez ces conseils de nettoyage et entretien pour vous occuper de votre grill :

## 1. ASSEMBLAGE DE LA TRÉMIE

- La trémie comprend une fonctionnalité de nettoyage pour faciliter l'entretien et permettre de modifier la saveur des granulés. Pour la vider, localisez la plaque et le couvercle de la boîte de dépôt à l'arrière de la trémie. Placez un seau propre et vide sous le couvercle de la boîte de dépôt et retirez-le. Dévissez la plaque, faites-la coulisser vers l'extérieur et les granulés sortiront.

**REMARQUE : utilisez une brosse à manche long ou une brosse d'aspirateur pour retirer l'excès de granulés, la sciure et les débris afin d'effectuer un nettoyage complet via le filtre de la trémie.**

- Il est recommandé de retirer tous les granulés du système de vis sans fin si vous ne comptez pas utiliser votre grill durant une longue période. Vous pouvez faire cela simplement en faisant fonctionner votre grill avec une trémie vide, jusqu'à ce que tous les granulés aient disparu du tube de la vis sans fin.
- Retirez tous les débris éventuels du conduit d'aération du ventilateur qui se trouve au fond de la trémie. Une fois le panneau d'accès de la trémie retiré (voir **Schéma du câblage électrique**), enlevez avec soin toute la graisse accumulée sur les lames du ventilateur. Cela permet d'obtenir une aération suffisante pour le système d'acheminement.



## 2. SONDÉS

- Des nœuds ou plis des câbles des sondes peuvent provoquer des dégâts. Les câbles doivent être enroulés, sans être serrés.
- Même si les sondes sont en acier inoxydable, ne les passez pas au lave-vaisselle et ne les immergez pas sous l'eau. Des dégâts des eaux causés aux câbles internes provoqueront des courts-circuits et donc des relevés erronés. Si une sonde est endommagée, vous devez la remplacer.

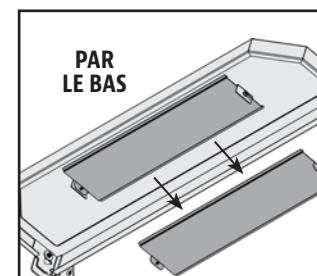
## 3. SURFACES INTÉRIEURES

- Il est recommandé de nettoyer votre pot de combustion régulièrement. Cela assurera l'allumage correct et évitera toute forte accumulation de débris ou de cendres dans le pot de combustion.
- Utilisez une brosse de nettoyage de grill à manche long (en laiton ou en métal doux), puis retirez la nourriture ou les accumulations sur les grilles de cuisson. Une bonne pratique consiste à le faire alors qu'elles sont encore tièdes suite à une précédente cuisson. Les feux de graisse sont causés par une accumulation de chutes de débris sur les composants de cuisson du grill. Nettoyez donc régulièrement l'intérieur de votre grill. En cas de feu de graisse, maintenez le couvercle du grill fermé afin d'étouffer le feu. Si celui-ci ne cesse pas rapidement, retirez la nourriture avec prudence, éteignez le grill et fermez le couvercle jusqu'à ce que le feu s'éteigne. Si vous avez du bicarbonate de soude, saupoudrez-en légèrement.
- Vérifiez régulièrement votre seau à graisse et nettoyez-le dès que nécessaire. N'oubliez pas le type de cuisson que vous effectuez.

**IMPORTANT : à cause de leur forte chaleur, ne recouvrez pas le diffuseur de chaleur ou les sondes avec du papier aluminium.**

## 4. SURFACES EXTÉRIEURES

- La tablette avant comprend un panneau amovible en dessous pour faciliter le nettoyage. Par le bas, poussez la plaque d'appui vers le canon principal pour la retirer. Nettoyez, puis remettez en place en le remettant en place.
- Nettoyez votre grill après chaque utilisation. Utilisez une eau savonneuse chaude pour retirer la graisse. N'utilisez pas de nettoyant pour four ni de détergents ou éponges abrasifs sur les surfaces externes du grill. **Toutes les surfaces peintes**



ne sont pas couvertes par la garantie, elles font partie de la maintenance et de l'entretien généraux. Concernant les griffures sur la peinture, l'usure ou l'écaillage du vernis, toutes les surfaces peintes peuvent être retouchées à l'aide d'une peinture haute température pour barbecue.

- Utilisez une housse de grill pour protéger complètement ce dernier ! Une housse est la protection idéale contre les aléas météorologiques et les polluants extérieurs. Lorsque vous n'utilisez pas l'appareil ou que vous le rangez pour une longue période, placez-le sous une housse dans un garage ou un abri de jardin.

**TABLEAU DE FRÉQUENCE DE NETTOYAGE (USAGE NORMAL)**

ÉLÉMENT	FRÉQUENCE DE NETTOYAGE	MÉTHODE DE NETTOYAGE
<b>Bas du grill principal</b>	Toutes les 5 ou 6 utilisations du grill	Retirer, aspirer l'excès de débris
<b>Pot de combustion</b>	Toutes les 2 ou 3 utilisations du grill	Retirer, aspirer l'excès de débris
<b>Grilles de cuisson</b>	Après chaque utilisation du grill	Brûler l'excès, brosse en fil de laiton
<b>Diffuseur de chaleur</b>	Toutes les 5 ou 6 utilisations du grill	Gratter la plaque principale avec la plaque coulissante, ne pas laver
<b>Étagères</b>	Après chaque utilisation du grill	Éponge à récurer et eau savonneuse
<b>Seau à graisse</b>	Après chaque utilisation du grill	Éponge à récurer et eau savonneuse
<b>Système d'acheminement de la vis sans fin</b>	Lorsque le sac de granulés est vide	Laisser la vis sans fin pousser la sciure afin que la trémie soit vide
<b>Composants électriques de la trémie</b>	Une fois par an	Épousseter l'intérieur, nettoyer les lames du ventilateur avec de l'eau savonneuse
<b>Conduit d'aération</b>	Toutes les 5 ou 6 utilisations du grill	Épousseter, éponge à récurer et eau savonneuse
<b>Sonde de température</b>	Toutes les 2 ou 3 utilisations du grill	Éponge à récurer et eau savonneuse

## UTILISATION DU COMBUSTIBLE EN GRANULÉS DE BOIS

Les granules de bois propres combustibles génèrent environ 8200 BTU par livre avec très peu de cendres, une faible teneur en humidité (5 à 7 %) tout en étant également neutres en carbone. Les granulés sont produits avec des matières premières pures (sciures) qui sont pulvérisées avec un broyeur à marteaux et forcées avec pression à travers une filière. Quand le granulé est forcé à travers la filière, il est cisaillé, refroidi, trié, aspiré, puis emballé pour la consommation. Vérifiez auprès de votre distributeur local pour connaître la gamme de saveurs disponibles dans votre région.

- 

▪ **MÉLANGE CARYER**

- 

▪ **MÉLANGE MESQUITE**

- 

▪ **MÉLANGE POMME**

- 

▪ **MÉLANGE CERISE**

- 

▪ **MÉLANGE DE LA COMPÉTITION**

**REMARQUE :** Conservez toujours vos granulés dans un endroit sec. Ceci poussera les granulés à absorber l'humidité et produira un rendement calorifique plus faible ou provoquera un gonflement et une dissolution des granulés. Utilisez un bac ou sceau résistant à l'humidité et pouvant être scellé à nouveau pour la conservation.

## LIGNES DIRECTRICES POUR LA CUISINE

Les styles de cuisson de fumage et de grillage peuvent vous donner des résultats différents dépendant du temps et la température. Pour obtenir de meilleurs résultats, conservez un registre de tout ce que vous cuisinez, à quelle température vous le cuisinez, ainsi que les résultats. Ajustez toutes ces variables, selon vos goûts, la prochaine fois. Ce n'est qu'en s'exerçant qu'on s'améliore.

L'art culinaire du fumage à chaud équivaut à des temps de cuisson plus long, mais il produit également une saveur de bois plus naturelle (et une « **bande rose** ») dans vos viandes. Une température de cuisson plus élevée, ce qui veut dire moins de temps de cuisson, vous offrira moins de saveur fumée.

**CONSEIL: Pour de meilleurs résultats, laissez reposer les viandes après la cuisson. Ceci permet aux jus naturels de revenir dans les fibres de la viande, produisant ainsi une coupe plus juteuse et plus savoureuse. Le temps de repos peut n'être que 3 minutes et peut même aller jusqu'à 60 minutes, selon la taille des protéines.**

STYLE DE CUISSON	FUMAGE CHAUD (très faible)	RÔTI (faible)	CUISSON FOUR (moyen)	GRILLAGE/CUISSON FOUR (moyen/élevé)	SAISIR (élevé)
Plage de température	93-135°C / 199-275°F	135-162°C / 275-323°F	162-190°C / 323-374°F	190-232°C / 374-449°F	232-260°C / 449-500°F

VOLAILLE	TAILLE	Saignant - 54°C / 130°F	À point - 60°C / 140°F	Bien cuit - 77°C / 170°F
Dinde ( <i>entière</i> )	4,5-5,0 kg / 10-11 lbs. 5,3-6,4 kg / 12-14 lbs. 6,8-7,7 kg / 15-17 lbs. 8,2-10,0 kg / 18-22 lbs. 10,4-11,3 kg / 23-25 lbs.			Gril 90 - 120 minutes Gril 110 - 140 minutes Gril 130 - 160 minutes Gril 140 - 170 minutes Gril 150 - 180 minutes
Poulet ( <i>entier</i> )	1,36-2,26 kg / 3-5 lbs.			Gril 1 - 1.5 heures
Pilons, poitrines	0,45 - 0,86 kg / 1 - 1½ lbs.			Gril 30-60 minutes
Petits gibiers à plumes	0,45 - 0,86 kg / 1 - 1½ lbs.			Gril 30-45 minutes
Canard	1,36-2,26 kg / 3-5 lbs.			Rôti ou sur le gril 2 - 2.5 heures

PORC	TAILLE	Précuit près à être réchauffé - 60°C / 140°F	À point 66°C / 150°F	Bien cuit 71°C / 160°F
Jambon ( <i>Partie entièrement cuite et désossée, Porc fumé entier &amp; avec os</i> )	2,5 cm / 1 po 1,36-1,81 kg / 3-4 lbs. 1,81-2,72 kg / 4-6 lbs. 2,26-3,62 kg / 5-8 lbs. 4,53-5,44 kg / 10-12 lbs.	12 minutes 50 minutes - 1 heure 1 - 2 heures 1 - 2½ heures 2 - 2¾ heures		
Longe de porc	1,36-1,81 kg / 3 - 4 lbs.		1 - 2 heures	2 - 3 heures
Rôti de couronne de côte	1,81-2,26 kg / 4 - 5 lbs.		1½ - 2 heures	2 - 3 heures
Côtelette ( <i>longe, côte</i> )	1,9-2,5 cm / ¾ - 1 po 3,1-3,9 cm / 1¼ - 1½ po		10 - 12 minutes 14 - 18 minutes	
Filet	1,9-2,5 cm / ¾ - 1 po		20 - 30 minutes	30 - 45 minutes
Rôti de longe de porc, sans os	1,36-2,26 kg / 3-5 lbs.		1¼ - 1¾ heures	1¾ - 2½ heures
Boston Butt ( <i>Épau de porc</i> )	3,62-4,53 kg / 8-10 lbs.			93 - 98 °C / 200 - 210 °F Température interne

<b>BOEF</b>	<b>TAILLE</b>	<b>CHALEUR</b>	<b>Saignant 54 °C / 130 °F</b>	<b>À point 60 °C / 140 °F</b>	<b>Bien cuit 65 °C / 150 °F</b>
<b>Steak</b> ( <i>New York, Porterhouse, faux filet, surlonge, T-bone, ou filet</i> )	1,9 cm / ¾ po 2,5 cm / 1 po 3,8 cm / 1½ po 5 cm / 2 po	Haut	Saisir pendant 8 à 10 minutes Saisir pendant 10 à 12 minutes Saisir pendant 10 minutes, griller pendant 8 à 10 minutes Saisir pendant 10 minutes, griller pendant 10 à 14 minutes		
<b>Bifteck de hampe</b>	0,6 - 12,7 cm / ¼ - ½ po	Haut	Saisir 5-7 minutes		
<b>Bavette</b>	0,45 - 0,86 kg / 1 - 1½ lbs., 1,9 cm / ¾ po	Moyen	Saisir pendant 4 minutes, griller pendant 8 à 10 minutes		
<b>Kébab</b>	2,5-3,8 cm / 1-1½ po cubes	Moyen	Gril 10 - 12 minutes		
<b>Filet</b>	1,58 - 1,81 kg / 3½ - 4 lbs.	Haut/Moyen	Saisir pendant 10 minutes, gril pendant 15 à 20 minutes		
<b>Steak haché</b>	1,9 cm / ¾ po	Haut/Moyen	Saisir pendant 4 minutes, griller pendant 4 à 6 minutes		
<b>Rôti de bœuf de faux-filet, sans os</b>	2,26 - 2,72 kg / 5 - 6 lbs.	Moyen	Gril 1½ - 2 heures		
<b>Rôti trois pointes</b>	0,9 - 1,13 kg / 2 - 2½ lbs.	Haut/Moyen	Saisir pendant 10 minutes, griller pendant 20 à 30 minutes		
<b>Rôti de côtes</b>	5,44 - 6,35 kg / 12 - 14 lbs.	Moyen	2½ - 2¾ heures		
<b>Côtelettes de veau</b>	2,5cm / 1 po	Moyen	10 - 12 minutes direct		
<b>Poitrine</b>	7,25 - 3,62 kg / 16 -18 lbs.	Fumage chaud	Cuire jusqu'à ce que la température interne atteigne 91°C / 195°F		

<b>AGNEAU</b>	<b>TAILLE</b>	<b>Saignant - 54 °C / 130 °F</b>	<b>À point - 60 °C / 140 °F</b>	<b>Bien cuit - 71 °C / 160 °F</b>
<b>Rôti (frais)</b>	2,26 - 2,72 kg / 5 - 6 lbs.		1 - 2 heures	
<b>Rôti de couronne de côte</b>	1,36 - 2,26 kg / 3-5 lbs.		1 - 1½ heures	1½ heures

<b>FRUITS DE MER</b>	<b>TAILLE</b>	<b>Saignant - 54 °C / 130 °F</b>	<b>À point - 60 °C / 140 °F</b>	<b>Bien cuit - 82 °C / 180 °F</b>
<b>Poisson (entier)</b>	0,5 kg / 1 lb. 0,9 - 1,1 kg / 2 - 2½ lbs. 1,4 kg / 3 lbs.			Gril 10 - 20 minutes Gril 20 - 30 minutes Gril 30 - 45 minutes
<b>Poisson (filets)</b>	0,6-1,3 cm / ¼" - ½"			Gril 3 - 5 minutes jusqu'à ce que le poisson s'émiette
<b>Queue de homard</b>	0,15 kg / 5 onces 0,3 kg / 10 onces			Gril 5 - 6 minutes Gril 10 - 12 minutes

<b>GIBIER SAUVAGE</b>	<b>TAILLE</b>	<b>Saignant - 60 °C / 140 °F</b>	<b>À point - 71 °C / 160 °F</b>	<b>Bien cuit - 77 °C / 170 °F</b>
<b>Rôti (frais)</b>	2,26 - 2,72 kg / 5-6 lbs.		1 - 1½ heures	1½ - 2 heures
<b>Grandes coupes (frais)</b>	3,62 - 4,53 kg / 8-10 lbs.		1 heure	1½ heures

# CONSEILS ET TECHNIQUES

Suivez ces conseils et techniques utiles, transmis par des propriétaires de Pit Boss®, notre personnel et clients comme vous, afin de vous familiariser avec votre gril:

## 1. SÉCURITÉ ALIMENTAIRE

- Garder propre tout ce qui se trouve dans la cuisine et dans la surface de cuisson. Utilisez un plat et des ustensiles différents pour la viande cuite et pour préparer ou transporter la viande crue sur le gril. Ceci permettra d'éviter toute contamination croisée des bactéries. Chaque marinade ou sauce pour badigeonner devrait avoir son propre ustensile.
- Gardez les aliments chauds au chaud (au-dessus de 60°C / 140°F) et gardez les aliments froids au froids (moins de 3°C / 37°F).
- Une marinade ne devrait jamais être conservée pour une utilisation ultérieure. Si vous comptez l'utiliser pour la servir avec votre viande, assurez-vous de la faire bouillir avant de servir.
- Les aliments cuits et les salades ne devraient pas être laissés dehors dans la chaleur pendant plus d'une heure. Ne laissez pas les aliments chauds à l'extérieur du réfrigérateur pendant plus de deux heures.
- Décongeler et mariner les viandes par réfrigération. Ne décongelez pas la viande à température ambiante ou sur le comptoir. Les bactéries peuvent grandir et se multiplier rapidement dans les aliments chauds et humides. Lavez-vous bien les mains avec de l'eau tiède savonneuse avant de commencer à préparer votre plat, et après avoir manipulé de la viande fraîche, du poisson et de la volaille.

## 2. PRÉPARATION DE CUISSON

- Soyez préparé ou **Mise en place**. Ceci fait référence à la préparation de la recette, le combustible, les accessoires, les ustensiles et tous les ingrédients dont vous aurez besoin à côté du gril avant de commencer la cuisson. Aussi, lisez la recette complète, du début à la fin, avant d'allumer le gril.
- Un tapis protecteur pour BBQ peut être très utile. En raison des accidents qui surviennent en raison de la manipulation des aliments et des différents styles de cuisson, ce tapis aidera à protéger les dalles de votre patio ou de votre terrasse contre tout risque de tache de graisse ou déversements accidentels

## 3. CONSEILS ET TECHNIQUES DE GRILLADE

- Pour infuser plus de saveur fumée et gardez vos viandes juteuses, cuisez-les plus longtemps à une température plus basse (également connu sous le nom de **faible et lent**). La viande fermera ses fibres après avoir atteint une température interne de 49°C (120°F). La pulvérisation en brouillard et l'épandage sont d'excellents moyens permettant d'éviter que la viande ne se dessèche.
- Lorsque vous saisissez vos viandes, cuisinez toujours avec le couvercle fermé. Utilisez toujours un thermomètre à viande pour évaluer la température interne des aliments que vous cuisinez. Fumer la nourriture avec des granulés de bois fait rosir la viande et la volaille. **La bande rose** (après la cuisson) est aussi appelée anneau de fumée et est très appréciée par les chefs de plein air.
- Il est fortement recommandé d'appliquer les sauces à base de sucre vers la fin de la cuisson pour éviter les brûlures et flambées.
- Laissez un espace de dégagement entre les aliments et les extrémités du baril pour une bonne circulation de la chaleur. Beaucoup d'aliments sur une grille de cuisson encombrée prendront plus de temps à cuire.
- Utilisez des pinces avec une longue poignée pour retourner toutes les viandes et des spatules pour retourner les burgers et le poisson. L'utilisation d'un ustensile perçant, comme une fourchette, permet de piquer la viande et de laisser s'évacuer les jus.
- Les aliments dans des casseroles profondes nécessitent plus de temps pour cuire que dans une poêle peu profonde.
- C'est une bonne idée de mettre les aliments grillés sur une grande assiette préchauffée pour garder vos aliments chauds. Les viandes rouges comme les steaks et rôtis seront meilleurs si vous les laissez reposer pendant quelques minutes avant de les servir. Ceci permet aux jus délicieux que la chaleur a fait remonter à la surface de retourner au centre et de lui donner plus de saveur.

# DÉPANNAGE

Un nettoyage et une maintenance adaptés, ainsi que l'utilisation de combustible propre, sec et de qualité évitera la plupart des problèmes de fonctionnement. Lorsque votre gril Pit Boss® est mal ou peu utilisé, les astuces de dépannage suivantes peuvent s'avérer utiles. Pour consulter des FAQ, rendez-vous sur [www.pitboss-grills.com](http://www.pitboss-grills.com). Vous pouvez également contacter votre revendeur local agréé par Pit Boss® ou le service clients pour obtenir de l'aide.

**ATTENTION : débranchez toujours le câble électrique avant d'ouvrir le gril pour effectuer une inspection, un nettoyage, une maintenance ou un entretien. Veillez à ce que le gril soit totalement froid afin d'éviter toute blessure.**

PROBLÈME	CAUSE	SOLUTION
Aucun éclairage sur le panneau de contrôle	La molette de contrôle de température est toujours sur OFF.	Appuyez sur le bouton d'alimentation et assurez-vous qu'il s'allume en bleu, prouvant que le raccordement électrique fonctionne. Tournez la molette de contrôle sur un paramètre de température.
	Non connecté à une source d'alimentation	Veillez à ce que l'appareil soit relié à une source d'alimentation en état de marche. Réinitialisez le disjoncteur. Veillez à ce que la prise DDFT fonctionne à un minimum de 10 A (consultez le <b>Schéma du câblage électrique</b> pour accéder aux composants électriques). Veillez à ce que tous les câblages soient fermement reliés et secs.
	Fusible grillé sur le panneau de contrôle	Retirez le panneau d'accès de la trémie (consultez le <b>Schéma du câblage électrique</b> ), appuyez sur les languettes en plastique maintenant le panneau de contrôle en place et poussez le contrôleur à l'intérieur de la trémie pour le dégager. Vérifiez le fusible pour voir si un câble est cassé ou noirci. Si tel est le cas, le fusible doit être remplacé manuellement.
	La prise DDFT a disjoncté.	Retirez le panneau d'accès de la trémie (consultez le <b>Schéma du câblage électrique</b> ) et veillez à ce que tous les raccordements de câbles soient fermement connectés et secs. Veillez à ce que la prise DDFT fonctionne à un minimum de 10 A.
	Panneau de contrôle défectueux	Le panneau de contrôle doit être remplacé. Contactez le service clients pour obtenir une pièce de rechange.
Le feu du pot de combustion ne s'allume pas	La vis sans fin n'est pas amorcée	Avant d'utiliser l'appareil pour la première fois ou dès que la trémie est entièrement vide, la vis sans fin doit être amorcée pour permettre aux granulés de remplir de tube. Si elle n'est pas amorcée, l'allumeur stoppera avant que les granulés n'atteignent le pot de combustion. Suivez la <b>Procédure d'amorce de la trémie</b> .
	Le moteur de la vis sans fin est bloqué	Retirez les composants de cuisson du corps principal de l'appareil. Appuyez sur le bouton d'alimentation pour allumer l'appareil, tournez la molette de contrôle de température sur la position SMOKE et inspectez le système d'acheminement de la vis sans fin. Confirmez visuellement que la vis sans fin achemine des granulés dans le pot de combustion. Si le processus ne fonctionne pas correctement, appelez le service clients pour obtenir de l'aide ou une pièce de rechange.
	Problème d'allumeur	Retirez les composants de cuisson du corps principal de l'appareil. Appuyez sur le bouton d'alimentation pour allumer l'appareil, tournez la molette de contrôle de température sur la position SMOKE et inspectez l'allumeur. Confirmez visuellement que l'allumeur fonctionne en plaçant votre main au-dessus du pot de combustion en quête de chaleur. Confirmez visuellement que l'allumeur dépasse d'environ 13 mm/0,5 po dans le pot de combustion. S'il ne fonctionne pas correctement, suivez la <b>Procédure de démarrage</b> manuel pour continuer à utiliser votre gril. Appelez le service clients pour obtenir de l'aide ou une pièce de rechange.
Points qui clignotent sur l'écran LCD	L'allumeur est en marche	Cette erreur n'impacte pas le gril. Elle permet de voir que l'appareil est alimenté et est en mode démarrage (l'allumeur est en marche). L'allumeur s'éteindra au bout de cinq minutes. Lorsque les points qui clignotent disparaissent, le gril commence à s'ajuster à la température sélectionnée.
Température qui clignote sur l'écran LCD	La température du gril est inférieure à 65 °C/150 °F	Cette erreur n'impacte pas le gril. Elle permet de voir qu'il existe un risque sur le feu s'éteigne. Vérifiez que la trémie contient assez de combustible ou que le système d'acheminement n'est pas obstrué. Retirez les granulés et suivez les instructions d' <b>Entretien et maintenance</b> . Vérifiez la sonde de température du gril et suivez les instructions d' <b>Entretien et maintenance</b> si celle-ci est sale. Vérifiez que le pot de combustion n'est pas obstrué ou qu'il ne contient pas de cendres accumulées et suivez les instructions d' <b>Entretien et maintenance</b> en cas d'accumulation de cendres. Vérifiez le ventilateur. Assurez-vous qu'il fonctionne correctement et que le conduit d'entrée d'air n'est pas bouché. Suivez les instructions d' <b>Entretien et maintenance</b> si celui-ci est sale. Vérifiez le bon fonctionnement (rotation) du moteur de la vis sans fin et assurez-vous que le tube de la vis sans fin n'est pas bloqué.

Code d'erreur « ErH »	L'appareil a surchauffé, probablement à cause d'un feu de graisse ou un d'excès de combustible.	Appuyez sur le bouton d'alimentation pour éteindre l'appareil et laissez-le refroidir. Suivez les instructions d'Entretien et maintenance. Après entretien, retirez les granulés et vérifiez le bon positionnement de tous les composants. Une fois l'appareil refroidi, appuyez sur le bouton d'alimentation pour l'allumer et sélectionnez la température souhaitée. Si le code d'erreur s'affiche toujours, contactez le service clients.
Code d'erreur « Err »	Le câble de la sonde de température ne se connecte pas.	Retirez le panneau d'accès de la trémie (consultez le <b>Schéma du câblage électrique</b> ) et vérifiez si les câbles de la sonde de température sont abîmés. Veillez à ce que les connecteurs Molex de la sonde de température soient fermement et correctement reliés au panneau de contrôle.
Code d'erreur « ErP »	L'appareil n'a pas été éteint correctement lors de sa dernière connexion à l'alimentation. Coupure de courant alors que l'appareil est allumé.	Une fonctionnalité de sécurité empêche un redémarrage automatique. Appuyez sur le bouton d'alimentation pour éteindre l'appareil, attendez deux minutes, puis appuyez de nouveau sur le bouton d'alimentation pour allumer l'appareil. Tournez la molette de contrôle sur SMOKE ou la température de votre choix. Si le code d'erreur s'affiche toujours, contactez le service clients.
Code d'erreur « noP »	Mauvaise connexion au port de raccordement	Déconnectez la sonde de cuisson du port de raccordement du panneau de contrôle, puis reconnectez-la. Veillez à ce que l'adaptateur de la sonde de cuisson soit fermement connecté. Vérifiez que l'extrémité de l'adaptateur n'est pas abîmée. Si l'erreur persiste, contactez le service clients pour obtenir une pièce de rechange.
	Sonde de cuisson endommagée	Vérifiez que les câbles de la sonde de cuisson ne sont pas abîmés. Si tel est le cas, contactez le service clients pour obtenir une pièce de rechange.
	Panneau de contrôle défectueux	Le panneau de contrôle doit être remplacé. Contactez le service clients pour obtenir une pièce de rechange.
La température du grill en mode SMOKE est trop élevée	Le paramètre « P » est trop bas	Appuyez sur le bouton « "P" SET » et augmentez le paramètre « P ».
Le grill ne parvient pas à une température stable ou n'arrive pas à la maintenir	Écoulement d'air insuffisant dans le pot de combustion	Vérifiez qu'il n'y a pas d'accumulation de cendres ou d'obstruction dans le pot de combustion. Suivez les instructions d' <b>Entretien et maintenance</b> en cas d'accumulation de cendres. Vérifiez le ventilateur. Assurez-vous qu'il fonctionne correctement et que le conduit d'entrée d'air n'est pas bouché. Suivez les instructions d' <b>Entretien et maintenance</b> si celui-ci est sale. Vérifiez le bon fonctionnement du moteur de la vis sans fin et assurez-vous que le tube de la vis sans fin n'est pas bloqué. Une fois toutes les étapes précédentes effectuées, démarrez le grill, configurez la température sur SMOKE et attendez 10 minutes. Vérifiez que la flamme produite est vive.
	Manque de combustible, combustible de mauvaise qualité ou obstruction du système d'acheminement	Vérifiez que le niveau de combustible dans la trémie est suffisant, remplissez si besoin. Si la qualité des granulés de bois est mauvaise ou que leur taille est trop grande, le système d'acheminement peut s'obstruer. Retirez les granulés et suivez les instructions d' <b>Entretien et maintenance</b> .
	Sonde de température	Vérifiez le statut de la sonde de température. Suivez les instructions d' <b>Entretien et maintenance</b> si celui-ci est sale. Contactez le service clients pour obtenir une pièce de rechange en cas de dommage.
Le grill produit trop de fumée ou une fumée décolorée	Accumulation de graisse	Suivez les instructions d' <b>Entretien et maintenance</b> .
	Qualité des granulés de bois	Retirez les granulés de bois humides de la trémie. Suivez les instructions d' <b>Entretien et maintenance</b> pour procéder au nettoyage. Remplacez-les par des granulés de bois secs.
	Le pot de combustion est bloqué	Retirez les granulés de bois humides du pot de combustion. Suivez la Procédure d'amorce de la trémie.
	Arrivée d'air insuffisante pour le ventilateur	Vérifiez le ventilateur. Assurez-vous qu'il fonctionne correctement et que le conduit d'entrée d'air n'est pas bouché. Suivez les instructions d' <b>Entretien et maintenance</b> si celui-ci est sale.
Flambées fréquentes	Température de cuisson	Essayez de cuire à plus faible température. La graisse possède un point d'inflammabilité. Maintenez une température inférieure à 176 °C/350 °F lorsque vous cuisinez des aliments très gras.
	Accumulation de graisse sur les composants de cuisson	Suivez les instructions d' <b>Entretien et maintenance</b> .



# SCHÉMA DU CÂBLAGE ÉLECTRIQUE

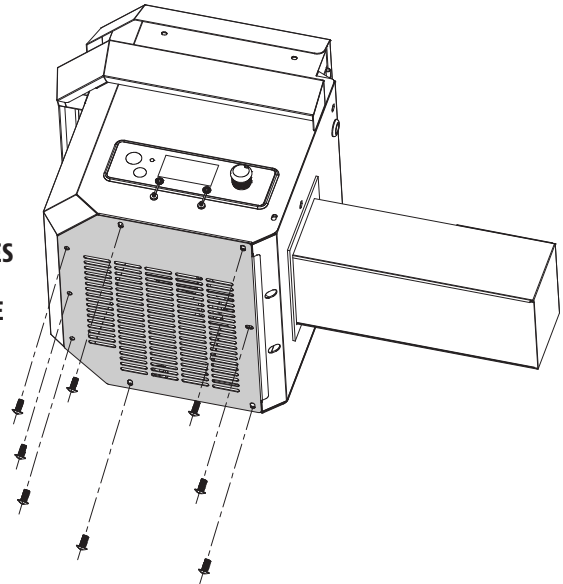
Le système du panneau de contrôle utilise une technologie complexe de grande valeur. Pour vous protéger contre les surtensions et les courts-circuits électriques, consultez le schéma du câblage ci-dessous afin de veiller à ce que votre source d'alimentation soit suffisante pour faire fonctionner l'appareil.

## PB – REQUISITOS ELÉCTRICOS

110-120V, 60HZ, 250W, ENCHUFE DE 3 PATILLAS CON CONEXIÓN A TIERRA

REMARQUE : les composants électriques, ayant été soumis à des tests de sécurité produit et des services de certification, sont conformes à une tolérance de test de  $\pm 5$  à 10 %.

**TROUVEZ ET RETIREZ LES HUIT VIS DU PANNEAU D'ACCÈS SUR LE CÔTÉ DE LA TRÉMIE.**



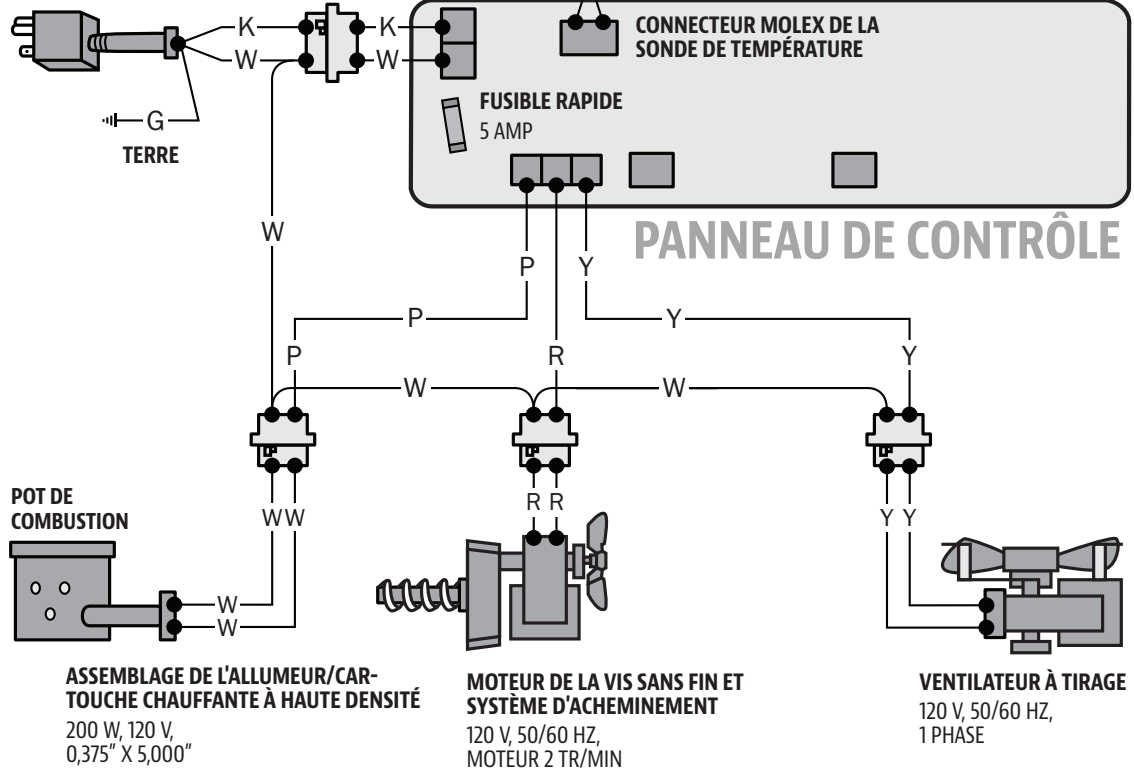
**TAUX D'ENTRÉE DU COMBUSTIBLE :**  
1.12 KG/H  
(2.48 LB/H)

### INDICATEUR

W : BLANC  
Y : JAUNE  
P : VIOLET  
R : ROUGE  
K : NOIR  
G : VERT

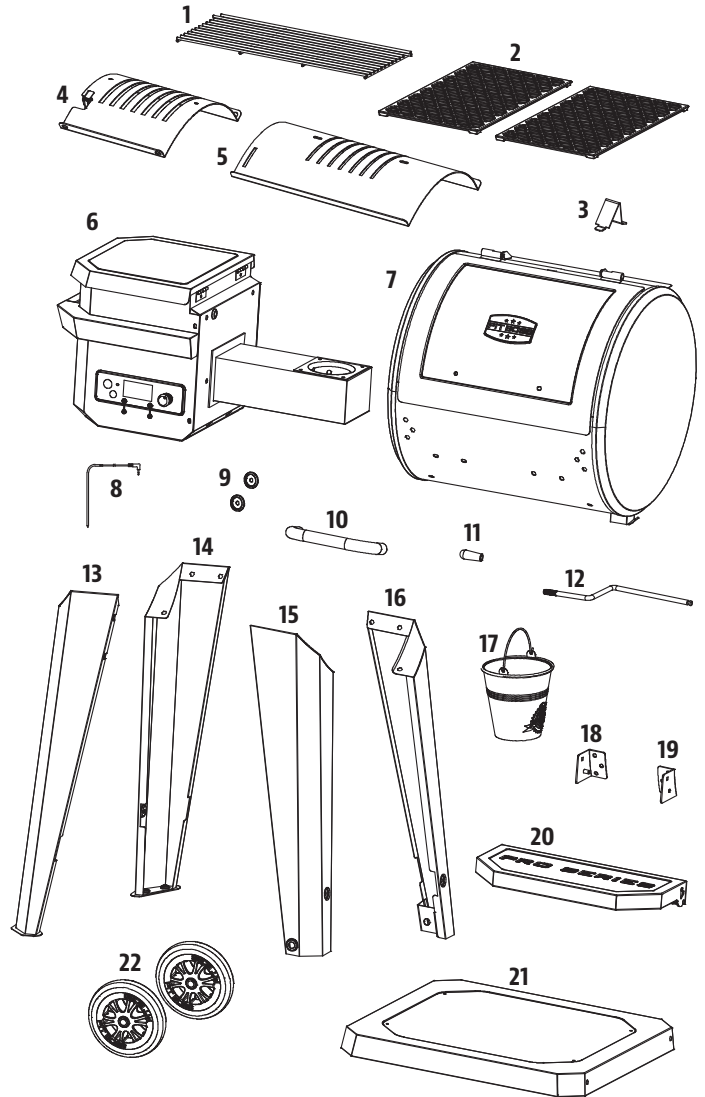
### CORDON D'ALIMENTATION MIS À LA TERRE

VW-1, 105°C/221°F,  
18-3 STANDARD CSA



# PIÈCES DE RECHANGE DU GRIL

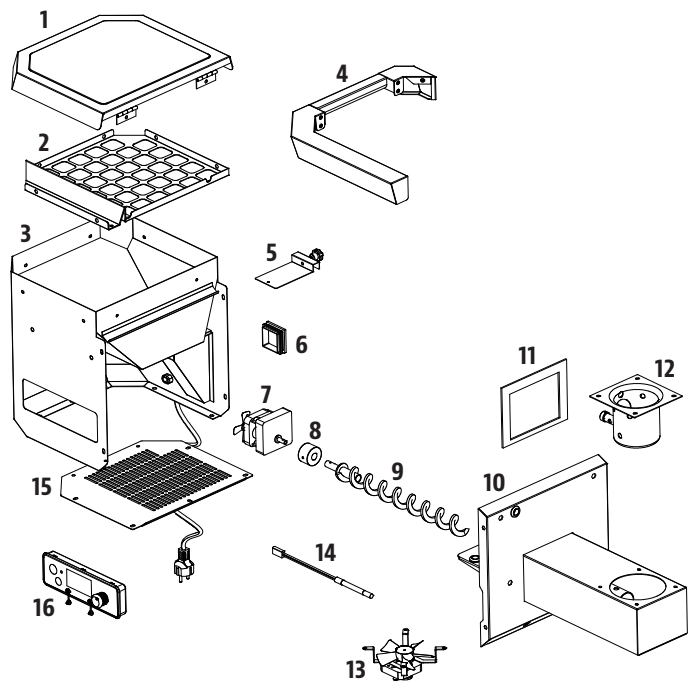
N.º	Descripción
1	Support de cuisson supérieur en acier émaillé (x1)
2	Grilles de cuisson en fonte à revêtement de porcelaine (x2)
3	Butoir pour couvercle (x1)
4	Plaque coulissante du diffuseur de chaleur (x1)
5	Plaque principale du diffuseur de chaleur (x1)
6	Assemblage de la trémie (x1)
7	Corps principal (x1)
8	Sonde de cuisson (x1)
9	Bague de la poignée pour couvercle (x2)
10	Poignée pour couvercle (x1)
11	Poignée de la barre de réglage du grilloir à flamme (x1)
12	Barre de réglage du grilloir à flamme (x1)
13	Pied de support gauche - avant (x1)
14	Pied de support gauche - arrière (x1)
15	Pied de support droit - avant (x1)
16	Pied de support droit - arrière (x1)
17	Seau à graisse (x1)
18	Support pour étagère avant gauche (x1)
19	Support pour étagère avant droit (x1)
20	Étagère avant (x1)
21	Étagère inférieure (x1)
22	Roue (x2)
A	Vis (x22)
B	Rondelle (x18)
C	Rondelle de blocage (x16)
D	Bague (x2)
E	Goupille bêta pour roue (x2)
F	Rondelle pour roue (x2)
G	Goupille cannelée pour roue (x2)
H	Vis (x2)
I	Écrous (x2)



REMARQUE : en raison du développement continu du produit, des pièces peuvent faire l'objet de modifications sans préavis.

# PIÈCES DE RECHANGE DE LA TRÉMIE

N.º	Descripción
1-PSH	Couvercle de la trémie (x1)
2-PSH	Écran de sécurité de la trémie (x1)
3-PSH	Boîtier de la trémie (x1)
4-PSH	Poignée de la trémie (x1)
5-PSH	Plaque de la boîte de dépôt (x1)
6-PSH	Couvercle de la boîte de dépôt (x1)
7-PSH	Moteur de la vis sans fin (x1)
8-PSH	Bague en nylon (x1)
9-PSH	Assemblage de la vis sans fin (x1)
10-PSH	Boîtier de la vis sans fin (x1)
11-PSH	Joint du boîtier de la trémie (x1)
12-PSH	Pot de combustion (x1)
13-PSH	Ventilateur de combustion (x1)
14-PSH	Allumeur (x1)
15-PSH	Panneau d'accès de la trémie (x1)
16-PSH	Panneau de contrôle (x1)



## GARANTIE

### CONDITIONS

Tous les grils de granulés de bois de Pit Boss®, fabriqués par Dansons, contiennent une garantie limitée à partir de la date de vente par le propriétaire initial. La garantie entre en vigueur la date d'achat, et une preuve de la date d'achat ou copie de votre achat de vente original est requise pour valider la garantie. Si le client n'est pas en mesure de produire une preuve de l'achat ou si la date de couverture de la garantie est dépassée, il sera tenu de payer les pièces, l'expédition et la main-d'œuvre.

Dansons offre une garantie de cinq (5) ans contre les défauts et la main d'oeuvre sur toutes les pièces en acier (à l'exception de la grille de combustion), et trois (3) ans sur les composants électriques. Dansons garantit que toutes les parties sont exemptes de défauts de matériel et de fabrication, pour la durée d'utilisation et de propriété de l'acheteur initial. Il n'existe pas de garantie particulière pour la sonde du grill, la sonde thermique, la peinture, le fini en peinture en poudre, la grille de combustion, le couvercle du grill et tous les joints ou contre tout dommage causé par la corrosion. La garantie ne couvre pas les dommages causés par l'usure, tels que les rayures, les bosses, les coups, les éclats ou les fissures cosmétiques mineures. Ces changements esthétiques du grill n'affectent pas sa performance. La réparation ou le remplacement d'une pièce ne prolonge pas la garantie limitée.

Pendant la période de la garantie limitée, l'obligation de Dansons sera limitée à fournir le remplacement des composants couverts et/ou défectueux. Tant que cela se produit pendant la période de la garantie, Dansons ne vous facturera pas sur la réparation ou le remplacement des pièces retournées, le port-payé, si Dansons détermine que ces pièces se révèlent défectueuses après inspection. Dansons ne sera pas tenu responsable des frais de transport, du coût salarial ou des droits d'exportation. Sauf disposition contraire dans ces conditions de garantie, la réparation ou le remplacement des pièces de la façon et pour la durée fixée ci-dessous, remplira le devoir de toutes les responsabilités et obligations directes et dérivées de Dansons envers vous.

Dansons prend toutes les précautions pour utiliser les matériaux qui résistent à la formation de la rouille. Même avec ces garanties, le revêtement protecteur peut être compromis par diverses substances et conditions qui échappent au contrôle de Dansons. Les hautes températures, l'humidité excessive, le chlore, les gaz industriels, les engrais, les pesticides utilisés pour les pelouses et le sel sont quelques-unes des substances pouvant affecter les revêtements métalliques. C'est pour ces raisons que les garanties limitées ne couvrent pas la rouille ni l'oxydation, à moins que le composant du grill présente une perte d'intégrité structurelle. Si

les scénarios décrits ci-dessus devaient se produire, veuillez vous référer à la section de soin et d'entretien pour prolonger la durée de vie de votre unité. Dansons recommande l'utilisation d'une couverture de grill lorsqu'il n'est pas utilisé.

Les garanties s'appliquent à un usage domestique et utilisation normale du grill et aucune des garanties limitées ne s'applique à un grill utilisé pour des applications commerciales.

## EXCEPTIONS

Il n'existe pas de garantie de performance écrite ou implicite sur les unités Pit Boss® car le fabricant ne contrôle pas l'installation, le fonctionnement, le nettoyage, l'entretien ou le type de combustible brûlé. La garantie limitée ne s'appliquera pas, et Dansons n'assumera aucune responsabilité, si votre appareil n'a pas été installé, opéré, nettoyé et entretenu conformément aux instructions du fabricant. La combustion de tout autre élément différent des pastilles de bois de qualité pourrait annuler la garantie. La garantie ne couvre pas les dommages ou ruptures causées par une mauvaise utilisation, mauvaise manutention ou des modifications

Dansons et les fournisseurs autorisés Pit Boss® déclinent toute responsabilité, légale ou autre, quant aux dommages accidentels ou consécutifs à la propriété ou aux personnes résultant de l'utilisation de ce produit. Si une réclamation est retournée contre Dansons basée sur la violation de cette garantie ou de tout autre type de garantie explicite ou implicite en droit, le fabricant ne sera en aucun cas tenu responsable des dommages-intérêts spéciaux, punitifs ou indirects de quelque nature que ce soit en surplus du prix d'achat original de ce produit. Toutes les garanties du fabricant sont énoncées ici et aucune réclamation ne sera effectuée contre le fabricant par le biais d'une garantie ou de représentation.

Certaines provinces n'autorisent pas l'exclusion ou la limitation des dommages accidentels ou consécutifs, ou les limitations des garanties implicites, de sorte qu'il est possible que les exclusions et limitations énoncées dans cette garantie limitée ne s'appliquent pas à vous. Cette garantie limitée vous donne des droits légaux spécifiques, et vous pourriez aussi avoir d'autres droits légaux qui pourront varier selon l'état ou la province.

## COMMANDE DE PIÈCES DE REMPLACEMENT

Pour commander des pièces de rechange, veuillez communiquer avec votre revendeur local ou visiter notre boutique en ligne à l'adresse suivante : [www.pitboss-grills.com](http://www.pitboss-grills.com)

## APPELEZ LE SERVICE À LA CLIENTÈLE

Si vous avez des questions ou des problèmes, veuillez communiquer avec le Service à la clientèle, du lundi au dimanche, de 4h à 20h HP (anglais / français / espagnol).

[service@pitboss-grills.com](mailto:service@pitboss-grills.com) | Ligne sans frais : 1-877-303-3134 | Télécopieur sans frais : 1-877-303-3135

## SERVICE DE GARANTIE

Appelez votre fournisseur « Pit Boss® » le plus proche pour une réparation ou un remplacement de vos pièces. Dansons exige une preuve d'achat pour établir une réclamation sous garantie; Conservez donc votre reçu ou facture originale pour référence future. Le numéro de série et de modèle de votre unité Pit Boss® se trouve sur la trémie. Enregistrez les numéros ci-dessous, car l'étiquette peut s'user ou devenir illisible..

---

MODÈLE

---

NUMÉRO DE SÉRIE

---

DATE D'ACHAT

---

CONCESSIONNAIRE AUTORISÉ

# RECETTES

## UNE POITRINE CLASSIQUE

### 4 à 6 portions

Une poitrine entière de bœuf pèse environ 7,25 à 3,62 kg / 16 à 18 livres et possède trois parties distinctes : la couronne, le bout et la section plate. Utilisez la section plate car elle est maigre, compacte et produit de très belles tranches lorsque vous la tranchez.

### Ingrédients :

1	poitrine de bœuf 2,2-3,6 kg / 5-8 lbs, 0,6 cm / ¼ po d'épaisseur de graisse
1 bouteille	moutarde jaune préparée
75 ml / 5 c. à s	assaisonnement
1 bouteille	sauce au piment fort
1 paquet	mélange sec de soupe aux oignons
375 ml / 1 ½ c.	bouillon de bœuf
40 ml / 8 cc	poivre noir

**Saveur de granulés de bois suggérée : Caryer / Compétition**

### Instructions :

- Déposez une grande pellicule de plastique sur votre station de cuisine. Assez grande pour enrober une poitrine de bœuf. À l'aide d'un couteau aiguisé, faites une marque sur le dessous de la poitrine, une seule fois à contre sens. Ceci vous aidera à couper la poitrine une fois qu'elle est cuite, la coupe à contre sens vous offrira également un morceau de viande tendre qui fond dans la bouche. Le dessous est le côté non-gras, avec la couronne. Enduire avec une généreuse portion de moutarde préparée. Frottez légèrement sur toute la surface. Saupoudrer une bonne quantité d'assaisonnement sur la moutarde, puis frottez délicatement sur toute la surface. Retournez la poitrine de bœuf et répétez le processus. Enroulez la poitrine dans la feuille de plastique et conservez au frigo pendant la nuit ou pour environ 2 à 4 heures.
- Préparez le mélange de badigeonnage. Mélangez la sauce au chili, le mélange de soupe à l'oignon sec, le bouillon de bœuf et le poivre noir. Laisser reposer.
- Préchauffez le gril, puis réduire le réglage de FUMÉE. ou faible température.**
- Placez la poitrine, côté gras vers le haut, au centre du gril préchauffé. Fermez le couvercle du gril. Faites cuire lentement jusqu'à ce que la viande soit tendre, environ 10-12 heures.
- Badigeonner la poitrine avec le mélange préparé toutes les demi-heures pendant les 3 premières heures.
- Continuez le processus de cuisson lente jusqu'à ce que la température atteigne 60-66°C / 140-150°F. Enlevez la poitrine du gril. **Faites monter la température du gril à 176°C / 350°F.**
- Placez la poitrine dans une poche en aluminium double couche. Versez 50 ml / ¼ de tasse de mélange de badigeonnage sur la poitrine dans la poche. Fermez la poche.

- Déposez la poche délicatement sur le gril. Faites fumer pendant 1 à 1 1/2 heures.
- Ouvrez la poche et utilisez un thermomètre à viande; La température interne doit atteindre 91°C / 195°F. La poitrine devrait être ferme, mais vous devriez quand même être en mesure de déchirer la viande à l'aide de vos doigts.
- Transférez la viande à un plateau et laissez-la reposer pendant 10 minutes. Coupez des tranches minces à contre sens pour servir.

## SAUCISSE AVEC SAUCE CHUTNEY À LA MANGUE

### 4 à 6 portions

### Ingrédients :

2	mangues (tranchées finement)
0.9 kg / 2 lbs	saucisse italienne (piquante ou douce)
10 ml / 2 cc	persil frais (haché)
15 ml / 1 c. à s.	poivron rouge (coupé en dés)
10 ml / 2 cc	miel
½	oignon rouge (coupé en dés)
½ bulbe	fenouil (coupé en dés)
5 ml / 1 cc	jus de lime
Pincée	sel

**Saveur de granulés de bois suggérée : Caryer / Compétition**

### Instructions :

- Préchauffez le gril, puis réduire le réglage à FAIBLE-MOYEN (82- 107°C / 180- 225°F).**
- Placez les saucisses sur le gril, espacées uniformément. Tournez toutes les dix minutes afin que tous les côtés soient grillés.
- Combinez tous les ingrédients restants pour fabriquer les chutney. Réfrigérez jusqu'à ce que vous soyez prêt à servir.
- Coupez la saucisse grillée en diagonale, puis servir avec le chutney sur le côté.

## STEAK DE FROMAGE BLEU

### 4 portions

### Ingrédients :

4	steak, T-bone ou faux-filet 2,54 cm / 1" d'épaisseur 0,28-0,62 kg / 10-12 onces chaque
113 g / 4 oz.	fromage bleu (émietté)
50 ml / ¼ c.	oignon vert (en fines tranches)

**Saveur de granulés de bois suggérée : Caryer / Compétition / Whiskey**

**Instructions :**

1. **Préchauffer le gril, puis laisser ou réduire légèrement (204-260°C / 400-500°F).**
2. Enlevez l'excédent de gras de la viande et jetez.
3. Placez les steaks sur le gril. Saisissez chaque côté, en retournant toutes les minutes.
4. **Réduisez la température à 135°C/275°F ou 163°C/ 325°F.** Retournez les steaks une dernière fois. Mélangez le fromage bleu et les oignons. Saupoudrez les steaks, fermez le couvercle du gril et faites griller jusqu'à ce qu'ils atteignent la cuisson désirée. Vérifiez la cuisson en coupant une tranche de viande près de l'os.

**Variation : FAIRE SAISIR AVEC LA MÉTHODE INVERSÉE**

Allumez le gril en mode de FUMÉE, puis placez les steaks sur le gril. Faites fumer à 82°C / 180°F, pendant 5 à 15 minutes. Une fois fumé à la cuisson désirée, tournez le gril sur HIGH et saisissez à votre goût.

**CÔTES LEVÉES BBQ****4 à 6 portions****Ingédients :**

1.3-1.8 kg / 3-4 lbs	côtelettes <small>Côtes levées de porc juteuses / longue</small>
45 ml / 3 c. à s.	huile
5 ml / 1 cc	sel
5 ml / 1 cc	poivre
2 entiers	oignons (hachés)
30 ml / 2 c. à s.	vinaigre
30 ml / 2 c. à s.	sauce Worcestershire
125 ml / ½ c.	jus de pomme ou Soda
5 ml / 1 cc	paprika
5 ml / 1 cc	poudre de piment chili

**Saveur de granulés de bois suggérée : Caryer / Compétition / Pomme****Instructions :**

1. **Préchauffez le gril, puis réduire le réglage à FUMÉE ou faible (82-107°C / 180-225°F).**
2. Préparez les côtes levées en enlevant la couche épaisse de peau à l'arrière. Saupoudrez les côtes avec du sel et du poivre, pour goûter.
3. Placez les côtes sur le gril, espacées uniformément. Faites fumer pendant 3 à 4 heures.
4. Mélangez le reste des ingrédients dans une casserole et porter à ébullition. Laissez bouillir la sauce pendant cinq minutes pour épaissir.
5. Enlevez du gril. **Faites monter la température du gril à 176°C / 350°F.**
6. Placez chaque côte dans une poche en aluminium double couche. Versez 50 ml / ¼ de tasse de sauce sur les côtes dans la poche. Fermez la poche.
7. Déposez la poche délicatement sur le gril. Faites fumer pendant

1 à 1 1/2 heures.

8. Ouvrez la poche. La viande aura exposé les extrémités des côtes et sera très tendre. Faites monter la température du gril à ÉLEVÉ (260°C / 500°F). Remettez les côtes sur le gril et badigeonnez avec de la sauce sur les deux côtés.
9. Lorsque la sauce est caramélisée et collantes, retirez du grill et servez.

**Variation: MÉTHODE « MEMPHIS SEC »**

Faites monter la température du gril à ÉLEVÉ (260°C / 500°F). Remettez les côtes sur le gril et assaisonnez ou frottez avec un assaisonnement sec. Saisissez les côtes, retirez du grill et servez.

**LES HAMBURGERS JUTEUX DE MAMAN****4 à 6 portions****Ingédients :**

900 g / 2 lbs	bœuf haché ou de buffle
15 ml / 3 cc	assaisonnement
2 entiers	œufs, à la température de la pièce
500 ml / 2 c.	chapelure (séché, fin)
6 - 8	hamburger / petits pains
6 - 8 slices	tranches de fromage (tranches fines)
30 ml / 2 cc	beurre

**Saveur de granulés de bois suggérée : Caryer / Compétition****Instructions :**

1. **Préchauffer le gril, puis laisser ou réduire légèrement (204-260°C / 400-500°F)**
2. Mélangez la viande, l'assaisonnement, les œufs et la chapelure dans un bol. Divisez la viande en plusieurs portions et formez-les en petites boulettes de taille et de forme similaires au pain que vous servirez. Gardez les boulettes à environ 1,9 cm / ¾ po d'épaisseur.
3. Déposez les boulettes sur le gril. Faites griller environ 6 minutes chaque côté, en évitant d'appuyer sur la viande. Faites un test pour vérifier la cuisson, à l'aide d'un thermomètre à viande instantané : la température interne devrait atteindre 71°C / 160°F. La viande peut devenir rose à l'extérieur en raison de la saveur fumée.
4. Au cours des dernières minutes de cuisson, badigeonnez les petits pains avec du beurre et grillez légèrement sur le gril.
5. Retirez les pains, burgers lorsqu'ils sont prêts. Ajoutez aux hamburgers du fromage à fondre, et servez.

**CONSEIL:** Une viande légèrement plus grasse rendra le hamburger plus juteux. Pour un choix plus léger, essayez le buffle haché.

## **STEAK DE SURLONGE AVEC DES OIGNONS DOUX ET DES POIVRONS**

4 portions

### **Ingrédients :**

2	steak de surlonge épaisseur d'un pouce, coupé en 4 morceaux 0,45kg/1 lb
10 ml / 2 cc	assaisonnement
5 moyens	oignons doux (coupés grossièrement)
2 entiers	poivrons (toutes sortes, hachée)
60 ml / 4 c. à s.	sauce soja
60 ml / 4 c. à s.	huile d'olive
Pincée	sel

**Saveur de granulés de bois suggérée : Caryer / Mesquite / Whiskey**

### **Instructions :**

1. **Préchauffez le gril, puis réduire le réglage à 218°C / 425°F.**
2. Saupoudrez les deux côtés des steaks avec l'assaisonnement. Recouvrez et réfrigérez pendant au moins 1 heure.
3. Placez les oignons et les poivrons dans un plateau recouvert de papier d'aluminium. Mélangez l'huile d'olive et la sauce soja ensemble, puis versez sur le plateau. Saupoudrez de sel. Fermez complètement le paquet d'aluminium.
4. Placez le paquet sur le gril pendant environ 10 - 15 minutes ou bien jusqu'à ce que les légumes soient doux et tendres. Enlevez du gril, mais gardez sous l'emballage.
5. Placez les steaks sur le gril. Saisissez chaque côté, en retournant toutes les minutes.
6. Grillez jusqu'à la cuisson désirée, puis enlevez du gril. Placez sur les plats de service et garnissez-les avec les légumes chauds.

## **POULES DE CORNOUILLES AVEC DU RIZ MANDARIN**

4 portions

### **Ingrédients :**

4 entiers	poules de Cornouailles
750 ml / 3 c.	riz Mandarin
15 ml / 1 c. à s.	huile d'olive
5 ml / 1 tsp	paprika fumé
250 ml / 1 c.	marmelade d'orange

### **Riz Mandarin**

59 ml / ¼ c.	amandes (effilées)
30 ml / 2 c. à s.	céleri (haché)
1 petit	oignon vert (tranché finement)
30 ml / 2 c. à s.	beurre
1 conserve	segments d'orange mandarine (égouttée) 0,4 kg/11oz.
30 ml / 2 c. à s.	jus d'orange (concentré)
500 ml / 2 c.	riz cuit

**Saveur de granulés de bois suggérée : Caryer / Mesquite / Compétition**

### **Instructions :**

1. Préparez le riz mandarin en faisant sauter les amandes, le céleri et les oignons avec du beurre dans une petite poêle jusqu'à ce que les amandes soient légèrement grillées. Combinez le mélange avec les segments d'orange, jus d'orange et le riz cuit dans un bol et mettre de côté.
2. **Préchauffez le gril, puis réduire à MEDIUM (135-177°C / 275-350°F).**
3. Rincez les poules de Cornouailles et essuyez à l'aide d'un papier absorbant. Remplissez les poules de Cornouailles avec la garniture et attachez les pattes à l'aide d'une ficelle. Badigeonnez légèrement les poules avec de l'huile; saupoudrez avec du paprika.
4. Placez les poules de Cornouailles sur le gril. Grillez pendant 45 à 60 minutes, jusqu'à ce que la viande soit tendre lorsqu'on la presse.
5. Badigeonnez les poules avec la marmelade à l'orange pendant les 20 dernières minutes de cuisson. Enlevez du gril et présentez sur un plateau de service.

**CONSEIL :** Si vous souhaitez récolter les gouttes de graisse pour faire une sauce, placez les poules dans un plat en aluminium et ajoutez assez d'eau ou de jus pour couvrir le fond à environ 0,6 cm / ¼ po d'épaisseur.

## **KEBABS DE CREVETTES AVEC BEURRE AU CURRY**

4 portions

### **Ingrédients :**

900g / 2 lbs	crevettes (décortiquées, déveinées)
125ml / ½ c.	beurre de curry
15 ml / 1 c. à s.	huile d'olive
1	lime
	aneth frais

### **Beurre de curry**

125 ml / ½ c.	beurre
30 ml / 2 c. à s.	oignons (hachés)
15 ml / 1 c. à s.	aneth frais
5 ml / 1 cc	poudre de curry
Pincée	poudre d'ail

**Saveur de granulés de bois suggérée : Mesquite / Compétition**

### **Instructions :**

1. Faites tremper les brochettes de bois dans l'eau pendant environ 1 heure.
2. **Préchauffez le gril, puis réduire à 135-177°C / 275-350°F.**
3. Préparez le beurre Curry en faisant fondre le beurre dans une petite casserole à feu moyen-élevé. Ajoutez les oignons, l'aneth, la poudre de curry et la poudre d'ail. Faites cuire pendant cinq minutes, puis retirez du feu.

- Étalez les crevettes sur les brochettes, en laissant de l'espace entre les morceaux. Badigeonner légèrement d'huile d'olive.
- Placez les brochettes sur le gril et griller jusqu'à ce que les crevettes soient blanches et tendres. Les crevettes grillent rapidement; prenez soin de ne pas trop les cuire. Tournez les brochettes une fois et badigeonnez-les avec du beurre de curry vers la moitié du temps de cuisson.
- Déposez les crevettes grillées sur un plateau. Garnissez de quarts de lime et d'aneth.

**CONSEIL :** Pour enfourcher une crevette afin qu'elle soit droite, tenez-la en position écartée avec une main. Commencez par le bout (la queue) et insérez une brochette de bois ou de bambou dans la crevette afin qu'elle occupe toute sa longueur. Continuez à déplier la crevette avec vos doigts pendant cette étape.

## **CREVETTES AU BACON ET BASILIC SUR UN BÂTON**

**4 à 6 portions**

### **Ingrédients :**

24 grandes crevettes (décortiquées, déveinées)  
 24 entières feuilles de basilic frais  
 24 tranches bacon (tranches fines)

**Saveur de granulés de bois suggérée : Cerise / Pomme**

### **Instructions :**

- Faites tremper les brochettes de bois dans l'eau pendant environ 1 heure.
- Préchauffez le gril, puis réduire à 135-177°C / 275-350°F.**
- Enroulez un morceau de crevettes et une feuille de basilic dans une fine tranche de bacon, puis enfilez sur une brochette, en laissant un espace entre les pièces.
- Placez les brochettes sur le gril et griller jusqu'à ce que les crevettes soient blanches et tendres et le bacon soit joliment grillé. Les crevettes grillent rapidement; prenez soin de ne pas trop les cuire. Retournez les brochettes régulièrement pour éviter de les brûler.
- Retirez du grill et servir.

## **DINDE ENTIÈRE FUMÉE**

**Nourri une petite armée - les restes sont délicieux!**

### **Ingrédients :**

1 entière dinde (déglacée)  
 9-11,3 kg / 20-25 lbs  
 60 ml / 4 c. à s assaisonnement  
 5 ml / 1 cc paprika fumé  
 45 ml / 3 c. à s beurre

**Saveur de granulés de bois suggérée : Caryer / Cerise /**

**Compétition**

### **Instructions :**

- Préchauffez le gril, puis réduire à 135-177°C / 275-350°F.**
- Enlevez les cous et les abattis de la dinde. Rincez soigneusement la dinde et essuyez à l'aide d'un papier absorbant.
- Dans un petit contenant, mélangez le beurre, 1/4 de l'assaisonnement et le paprika afin de former une pâte. Insérez délicatement votre main entre la peau extérieure et la viande de la poitrine. Bourrez la pâte à l'intérieur de la viande.
- Avec l'assaisonnement restant, frotter la surface extérieure de la dinde.
- Placez la dinde, poitrine vers le haut, dans le centre de la grille de cuisson et faites griller jusqu'à ce que la dinde soit tendre et brune dorée; la température interne doit atteindre 82°C / 180°F dans la partie la plus épaisse de la cuisse et 77°C / 170°F dans la poitrine.
- Enlevez la dinde, couvrez-la avec une feuille d'aluminium et laissez-la reposer pendant 10 minutes avant de la découper.

**CONSEIL :** Si vous aimez utiliser la graisse et les jus qui se sont écoulés pour en faire une sauce onctueuse, alors placez la dinde sur une grille à l'intérieur d'un grand plat à rôtir en aluminium. Ajoutez environ 0,6 cm / ¼ po d'eau ou de bouillon et des épices dans le fond de la poêle. Surveillez les jus, vous devrez peut-être en ajouter plus pendant la période de rôtissage.

## **POULET À LA BIÈRE**

**2 à 6 portions**

### **Ingrédients :**

1 entier poulet  
 1,8-2,7 kg / 4-6 lbs  
 1 canette bière, n'importe laquelle  
 45 ml / 3 c. à s assaisonnement

**Saveur de granulés de bois suggérée : Caryer / Pomme /**

**Compétition**

### **Instructions :**

- Préchauffez le gril, puis réduire à 135-177°C / 275-350°F.**
- Ouvrez la boîte et versez la moitié de la bière dans un verre à boire. Laissez la moitié dans la boîte, et faites quelques trous supplémentaires dans la partie supérieure de la boîte pour augmenter la ventilation. Ajoutez un ¼ de l'assaisonnement à la boîte.
- Rincez soigneusement le poulet et essuyez à l'aide d'un papier absorbant. Saupoudrez 1/4 de l'appât à l'intérieur du trou du poulet. Avec l'assaisonnement restant, frotter la surface extérieure du poulet.
- Insérez délicatement la canette verticale dans le creux du poulet, placez sur le gril et fermez le couvercle du gril. Cuire jusqu'à ce que le poulet soit doré et croustillant; la température interne doit atteindre 74°C / 165°F.
- A l'aide de pinces, retirez délicatement le poulet avec la boîte en position verticale du gril. Laissez-le reposer pendant 5 minutes, puis enlevez délicatement la canette de la poule. Soyez prudent de ne pas renverser, le liquide sera chaud.
- Taillez le poulet et servez-le.



**Variation : POULET À LA BIÈRE SANS ALCOOL**

À l'aide de la même méthode décrite ci-dessus, mais au lieu d'une bière vous pouvez utiliser votre boisson favorite comme du cola (pas diète), jus de fruit ou de l'eau avec des assaisonnements en plus.

**POULET SATAY DE STYLE RANCH****2 à 6 portions****Ingrédients :**

450g / 1 lb poitrines de poulet ou Cuisses (sans os, sans peau)  
112 ml / ½ c. mélange à la vinaigrette italienne ou ranch  
Pincée sel  
Pincée poivre

**Saveur de granulés de bois suggérée : Pomme / Cerise****Instructions :**

1. Coupez le poulet, sur la longueur, en morceaux de 0,63 cm/ 1/4 po ou plus épais. Rincez le poulet et essuyez à l'aide d'un papier absorbant.
2. Placer les morceaux de poulet dans un sac en plastique lock-top. Ajouter la vinaigrette, le sel et le poivre. Fermez le sac en plastique et secouez délicatement le sac, en vous assurant de bien imprégner le poulet avec la sauce. Placez dans le frigo pendant 1 à 2 heures ou toute la nuit. Secouez le sac une ou deux fois afin que le poulet se marinde de manière uniforme.
3. Faites tremper les brochettes de bois dans l'eau pendant environ 1 heure avant de les utiliser.
4. **Préchauffez le grill, puis réduire le réglage à 218°C / 425°F.**
5. Retirez le poulet du sac en plastique, et tissez-le en va-et-sur les brochettes, comme un ruban.
6. Placez les brochettes sur le grill et griller jusqu'à ce que le poulet soit blanc et ferme. Retournez les brochettes régulièrement pour éviter de les brûler.
7. Retirez du grill et servir.

## INFORMACIÓN DE SEGURIDAD

**LAS PRINCIPALES CAUSAS DE INCENDIOS DE APARATOS SON FRUTO DE UN MANTENIMIENTO DEFICIENTE Y DE QUE NO SE MANTENGA EL ESPACIO SUFICIENTE ENTRE EL APARATO Y LOS MATERIALES COMBUSTIBLES. ES DE SUMA IMPORTANCIA QUE ESTE PRODUCTO SE USE EXCLUSIVAMENTE DE ACUERDO CON LAS INSTRUCCIONES SIGUIENTES.**

Lea y entienda todo el manual antes de intentar montar, manejar o instalar el producto. Esto le garantizará un disfrute completo y un funcionamiento sin problemas de su nueva barbacoa de gránulos de madera. También le recomendamos que conserve este manual para futuras consultas.

### PELIGROS Y ADVERTENCIAS

**Debe ponerse en contacto con los encargados locales de su vivienda, edificio o de los bomberos, o autoridad competente, para obtener los permisos necesarios, misión o información sobre cualquier restricción de la instalación, como los de cualquier barbacoa que se instale en una superficie combustible, requisitos de inspección o incluso la capacidad de uso, de su zona.**

1. Debe mantenerse una distancia mínima de 914 mm entre los recipientes de combustible y los lados de la barbacoa, y de 914 mm entre la parte posterior de la barbacoa y los recipientes de combustible. **No instale el aparato en suelos combustibles o en suelos protegidos con superficies combustibles a menos que se obtengan los permisos y autorizaciones correspondientes de las autoridades competentes.** No use este aparato en el interior, en áreas cerradas o no ventiladas, dentro de los hogares, vehículos, tiendas de campaña, garajes. Este aparato de gránulos de madera no debe colocarse debajo de techos o voladizos combustibles. Mantenga la barbacoa en un área libre de materiales combustibles, gasolina y otros vapores y líquidos inflamables.

**Si la grasa prende fuego, APAGUE la barbacoa y deje cerrada la tapa hasta que se extinga el fuego. Desenchufe el cable de alimentación. No arroje agua sobre la unidad. No intente sofocar el fuego. Conviene tener a mano un extintor de incendios multiusos (clase ABC). Si se produce un incendio no controlado, llame a los bomberos.**

2. Mantenga los cables de alimentación eléctrica y el combustible lejos de las superficies calientes. No use la barbacoa en condiciones de lluvia ni cerca de fuentes de agua.
3. Tras un período de almacenamiento, o de no uso, compruebe si hay alguna obstrucción en la rejilla del quemador, objetos extraños en la tolva y cualquier bloqueo de aire alrededor de la entrada del ventilador o chimenea. Limpie antes de usar. Se requiere un cuidado y mantenimiento periódico para prolongar la vida útil de la unidad. **Si la barbacoa se guarda en el exterior durante la temporada de lluvias o de gran humedad, debe tomar precauciones para asegurarse de que no entre agua en la tolva.** Si se mojan o exponen a una gran humedad, los gránulos de madera se hincharán y descompondrán, pudiendo llegar a atascar el sistema de alimentación. Desconecte siempre la fuente de alimentación antes de realizar cualquier servicio o mantenimiento.

**No transporte la barbacoa mientras esté en uso o caliente. Antes de mover la barbacoa, asegúrese de que esté fría al tacto y el fuego se haya extinguido por completo.**

4. Se recomienda usar guantes para barbacoa resistentes al calor cuando manipule la barbacoa. No use accesorios que no estén indicados de manera específica para este aparato. No coloque una tapa de barbacoa ni nada que sea inflamable en el espacio de almacenamiento debajo de la barbacoa.
5. Para evitar que los dedos, la ropa u otros objetos entren en contacto con el alimentador de espiral, el aparato está equipado con una pantalla metálica de seguridad, montada en el interior de la tolva. Esta pantalla no debe retirarse a menos que así lo indique el departamento de Atención al cliente o un distribuidor autorizado.

**Este aparato no está recomendado para menores, personas con capacidades físicas, sensoriales o mentales limitadas, o que carezcan de experiencia o conocimientos, a menos que estén bajo la supervisión o instrucción directa de una persona responsable de su seguridad.**

6. Algunos elementos de la barbacoa pueden estar muy calientes y producir lesiones graves. Mantenga alejados a los niños pequeños y a las mascotas mientras se usa.
7. No agrande los orificios del sistema de ignición ni los fosos del quemador. El incumplimiento de esta advertencia puede dar lugar a peligro de incendio y lesiones corporales, y anulará la garantía.
8. El producto puede presentar bordes afilados o puntas. El contacto puede producir lesiones. Manipúlelo con cuidado.

## ELIMINACIÓN DE LAS CENIZAS

Las cenizas se deben colocar en un contenedor metálico con tapa hermética. El contenedor de cenizas cerrado debe colocarse en una superficie no combustible o en el suelo, alejado de todos los materiales combustibles, hasta su eliminación definitiva. Si va a eliminar las cenizas enterrándolas o dispersándolas de forma local, deben conservarse en un recipiente cerrado hasta que todas las cenizas se hayan enfriado por completo.

## COMBUSTIBLE DE GRÁNULOS DE MADERA

Este aparato de cocina de pélets está diseñado y aprobado solo para combustibles de pélets de madera completamente naturales. Cualquier otro tipo de combustible que se use en este aparato anulará la garantía y los anuncios de seguridad. Debe usar únicamente pélets de madera completamente naturales, diseñados para parrillas de barbacoas con pélets. No use combustible con aditivos. Los pélets de madera son muy susceptibles a la humedad y deben guardarse siempre en un contenedor hermético. Si guarda la barbacoa y no la usa durante un período prolongado, le recomendamos retirar todos los pélets de la tolva y del alimentador de espiral de la barbacoa para prevenir bloqueos. El valor calorífico medio del combustible de pélets es de 18,6-20,4 MJ/kg (8000-8770 Btu/lb), cenizas de <1%.

**No use alcohol, petróleo, gasolina, líquido inflamable ni queroseno para encender o reavivar un fuego en la barbacoa. Mantenga ese tipo de líquidos alejados del aparato cuando lo esté usando.**

En la fecha de impresión, no hay normas del sector para los gránulos de madera para barbacoas, si bien casi todos los fabricantes de gránulos usan las mismas normas para la fabricación de gránulos de madera de uso doméstico. Encontrará más información en [www.pelletheat.org](http://www.pelletheat.org) o [Pellet Fuel Institute](http://Pellet Fuel Institute).

Póngase en contacto con su distribuidor local para consultar la calidad de los gránulos de su zona y para obtener información sobre la calidad de las marcas. Como no existe ningún control que regule la calidad de los gránulos usados y afectados por la humedad, no nos responsabilizamos de los daños ocasionados por la mala calidad del combustible.

## CREOSOTA

La creosota, u hollín, es una sustancia similar al alquitrán. Al quemarse produce un humo negro con un residuo también de color negro. El hollín o la creosota se forma cuando el aparato se usa de forma incorrecta, como por ejemplo, si el ventilador de combustión está bloqueado, no se limpia ni mantiene el área del quemador o la combustión aire/combustible es deficiente.

Es peligroso manipular este aparato si las llamas se oscurecen, despiden hollín o si el foso del quemador contiene demasiados gránulos. Cuando se enciende, la creosota produce un fuego muy caliente y descontrolado, similar al fuego por grasa. Si esto ocurre, APAGUE la unidad, déjela enfriar por completo e inspecciónela para comprobar su mantenimiento y limpieza. Normalmente se acumula a lo largo de las áreas de extracción.

Si se ha formado creosota dentro de la unidad, caliente la unidad a baja temperatura, apáguela y, a continuación, limpie cualquier formación con un paño. Al igual que el alquitrán, su limpieza resulta mucho más fácil en caliente ya que se vuelve líquida.

## **MONÓXIDO DE CARBONO (el "asesino silencioso")**

El monóxido de carbono es un gas incoloro, inodoro, insípido que se produce al quemar gas, madera, propano, carbón u otro combustible. El monóxido de carbono reduce la capacidad de la sangre de transportar oxígeno. Un bajo nivel de oxígeno en sangre puede producir dolor de cabeza, mareos, náuseas, vómitos, soñolencia, confusión, pérdida de conocimiento o muerte. Siga estas pautas para impedir que usted, su familia u otras personas resulten intoxicadas por este gas incoloro e inodoro:

- Consulte con un médico si usted u otras personas experimentan síntomas parecidos a los de un catarro o gripe mientras cocina o se encuentra cerca del aparato. La intoxicación por monóxido de carbono, que puede confundirse fácilmente con un catarro o la gripe, frecuentemente se detecta demasiado tarde.
- El consumo de alcohol y el uso de fármacos incrementa los efectos de la intoxicación por monóxido de carbono.

El monóxido de carbono resulta especialmente tóxico para la madre y su hijo/a durante el embarazo, bebés pequeños, personas mayores, fumadores y personas con problemas del sistema sanguíneo o circulatorio, como anemia o enfermedad cardíaca.

## **ANUNCIOS DE SEGURIDAD**

De conformidad con los procedimientos y las especificaciones contenidas en UL Subject 2728A-2019 para "aparatos de cocina con combustible de pélets" y la ULC/ORD C2728-19 "funciones eléctricas de equipos que queman combustible". Los aparatos de cocina con pélets Pit Boss® Grills han sido sometidos a revisiones independientes y figuran en la lista de CSA (laboratorio de pruebas acreditado) como conforme con los estándares UL y ULC.



### **AVISO DE COPYRIGHT**

Copyright 2020. Todos los derechos reservados. Ninguna parte de este manual podrá copiarse, transmitirse, transcribirse, almacenarse en un sistema de recuperación, de ninguna forma ni por cualquier medio sin la autorización expresa por escrito de:

### **Dansons**

3411 North 5th Avenue, Suite 500, Phoenix, AZ, USA 85013  
sales@pitboss-grills.com | service@pitboss-grills.com  
[www.pitboss-grills.com](http://www.pitboss-grills.com)

### **Atención al cliente**

De lunes a domingo, de 4:00 a 20:00, PST (EN/FR/ES)

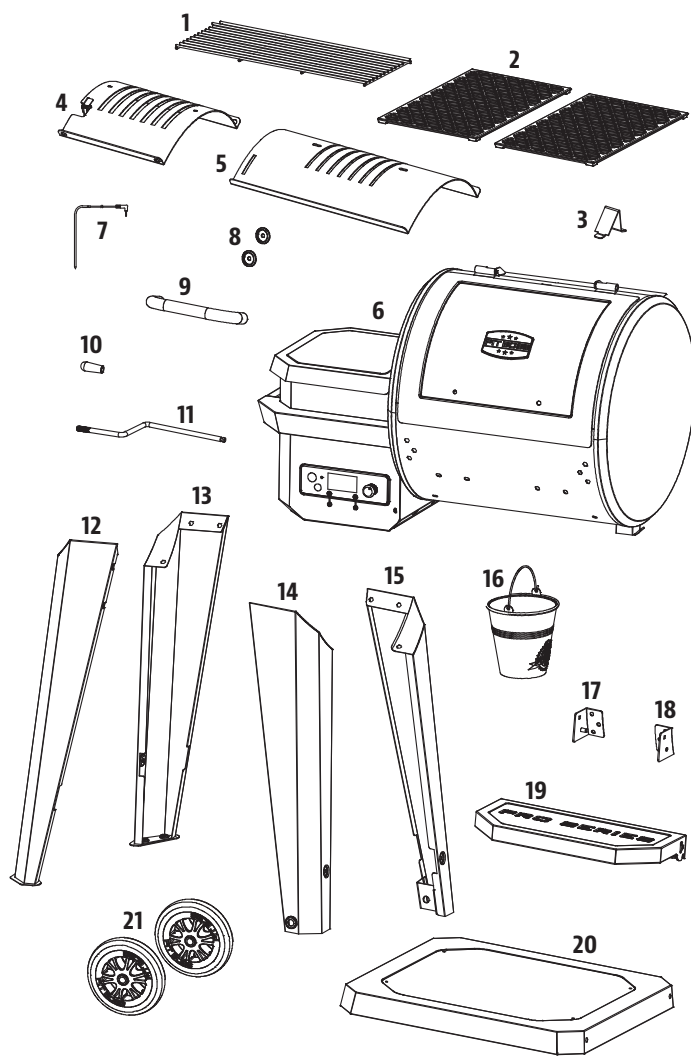
**Llamada gratuita: 1-877-303-3134, Fax: 1-877-303-3135**

# ÍNDICE

Información de seguridad.....	66	Cuidado y mantenimiento .....	82
Piezas y especificaciones .....	70	Uso del combustible de pellets de madera .....	83
Preparación del montaje.....	71	Lineamientos para cocinar.....	84
Instrucciones de montaje		Consejos y técnicas.....	86
Montaje de las patas al tambor principal .....	71	Resolución de problemas .....	87
Instalación del estante inferior .....	72	Diagrama de cableado eléctrico .....	89
Instalación de las ruedas en el carro.....	72	Piezas de repuesto	
Instalación del panel delantero del carro .....	72	Piezas de repuesto de la barbacoa.....	90
Fijación del tapón de la tapa .....	72	Piezas de repuesto de la tolva .....	91
Instalación del asa de la tapa.....	73	Garantía	
Sujeción de los soportes de los estantes delanteros .....	73	Condiciones.....	91
Instalación del estante delantero.....	73	Excepciones .....	92
Instalación de los componentes de la parrilla .....	74	Pedido de piezas de repuesto .....	92
Instalación de los componentes de cocina.....	75	Póngase en contacto con atención al cliente .....	92
Colocación del recogegrasa.....	75	Servicio de garantía.....	92
Conexión a una fuente de alimentación.....	75	Recetas .....	93
Instrucciones de funcionamiento			
Entorno de la barbacoa.....	76		
Rangos de temperatura de la barbacoa.....	77		
Descripción del tablero de control.....	78		
Descripción de las sondas .....	79		
Descripción del ajuste "P" .....	79		
Procedimiento de cebado de la tolva.....	80		
Primer uso: quemar la parrilla.....	80		
Procedimiento de arranque automático.....	80		
Procedimiento de arranque manual .....	81		
Apagado de la barbacoa .....	81		

# PIEZAS Y ESPECIFICACIONES

N.º	Descripción
1	Bandeja para cocinar superior de acero con capa de porcelana (x1)
2	Rejillas para cocinar de hierro forjado recubierto de porcelana (x2)
3	Tapón de la tapa (x1)
4	Guía de la parrilla (x1)
5	Placa principal de la parrilla (x1)
6	Conjunto de parrilla principal/tolva (x1)
7	Sonda de carne (x1)
8	Asa de la tapa Aros (x2)
9	Asa de la tapa (x1)
10	Asa del regulador de la parrilla (x1)
11	Regulador de la parrilla (x1)
12	Pata de soporte izquierda - delantera (x1)
13	Pata de soporte izquierda - posterior (x1)
14	Pata de soporte derecha - delantera (x1)
15	Pata de soporte derecha - posterior (x1)
16	Recogegrasa (x1)
17	Soporte del estante delantero izquierdo (x1)
18	Soporte del estante delantero derecho (x1)
19	Estante delantero (x1)
20	Estante inferior (x1)
21	Ruedas (x2)
A	Tornillos (x22)
B	Arandelas (x18)
C	Arandelas de retención (x16)
D	Casquillo (x2)
E	Clavijas de rueda (x2)
F	Arandelas de rueda (x2)
G	Clavijas de eje de rueda (x2)
H	Tornillos (x2)
I	Tuercas (x2)



NOTA: debido a que el producto está en desarrollo constante, las piezas están sujetas a cambios sin previo aviso. Póngase en contacto con el equipo de Atención al Cliente si durante el montaje de la unidad observa que falta alguna pieza.

## PB - REQUISITOS ELÉCTRICOS

110-120V, 60HZ, 250W, ENCHUFE DE 3 PATILLAS CON CONEXIÓN A TIERRA

MODELO	UNIDAD MONTADA (AxAxP)	PESO	COCINA	RANGO DE TEMPERATURAS
PB PB600PS1	961 MM x 815 MM x 1187 MM 37,8 PU. x 32,0 PU. x 46,7 PU.	57,5 KG / 126,7 LB	PRINCIPAL - 2651 CM <sup>2</sup> / 411 PU <sup>2</sup> BANDEJA SUPERIOR - 1229 CM <sup>2</sup> / 190,5 PU <sup>2</sup> TOTAL - 3880 CM <sup>2</sup> / 601,5 PU <sup>2</sup>	82-260°C / 180-500°F

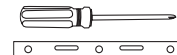
# PREPARACIÓN DEL MONTAJE

Las piezas se encuentran repartidas por el embalaje de envío, incluso debajo de la parrilla. Inspeccione la parrilla, las piezas y el blíster de herrajes después de retirar el embalaje de envío protector. Tire todos los materiales de embalaje dentro y fuera de la barbacoa antes de proceder al montaje, y revise e inspeccione todas las piezas cotejándolas con la lista de piezas. Si alguna pieza falta o está dañada, no intente realizar el montaje. Los daños causados por el envío no está cubierto por la garantía. Póngase en contacto con su distribuidor o con la Atención al cliente de Pit Boss® para piezas: de lunes a domingo de 4:00 a 20:00 PST (EN/FR/ES).

service@pitboss-grills.com | LLAMADA GRATUITA: 1-877-303-3134 | FAX GRATUITO: 1-877-303-3135

**IMPORTANTE:** para facilitar la instalación y evitar lesiones, monte esta unidad entre dos personas.

Herramientas necesarias para el montaje: destornillador y nivel. *No se incluyen herramientas.*



# INSTRUCCIONES DE MONTAJE

**IMPORTANTE:** Se aconseja leer cada paso en su totalidad antes de comenzar el montaje según las instrucciones. No ajuste los tornillos por completo hasta que se hayan colocado todos los tornillos de ese paso. La combinación de herrajes compuesta por una arandela de retención y una arandela se debe colocar con la arandela de retención más cerca del cabezal del tornillo.

## 1. MONTAJE DE LAS PATAS AL TAMBOR PRINCIPAL

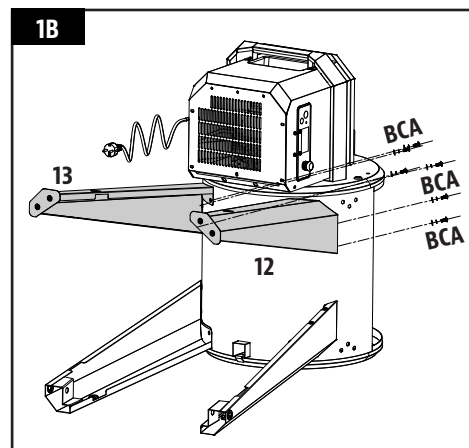
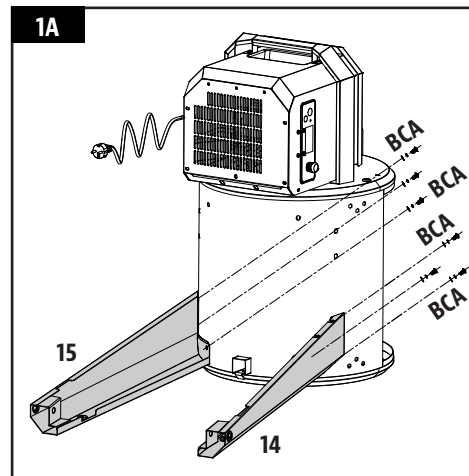
### Piezas necesarias:

- 1 x Conjunto de parrilla principal/tolva (#6)
- 1 x Pata de soporte izquierda - delantera (#12)
- 1 x Pata de soporte izquierda - posterior (#13)
- 1 x Pata de soporte derecha - delantera (#14)
- 1 x Pata de soporte derecha - posterior (#15)
- 12 x Tornillos (#A)
- 12 x Arandelas (#B)
- 12 x Arandelas de retención (#C)

### Instalación:

- Coloque un trozo de cartón en el suelo para evitar que la unidad y las piezas sufran arañazos durante el montaje. Apoye el tambor principal sobre un lado sobre el cartón con el extremo de la tolva hacia arriba.
- Monte la pata de soporte delantera derecha en el extremo inferior del tambor principal con tres tornillos, arandelas y arandelas de retención a través de los tres orificios ya perforados. Coloque los tornillos desde el interior del tambor principal. Repita la misma operación con la pata de soporte trasera derecha. Consulte la ilustración 1A.
- Luego, monte la pata de soporte delantera izquierda en el extremo de la tolva del tambor principal con tres tornillos, arandelas y arandelas de retención a través de los tres orificios ya perforados. Coloque los tornillos desde el interior del tambor principal. Repita la misma operación con la pata de soporte trasera izquierda. Consulte la ilustración 1B.

**IMPORTANTE:** No apriete los tornillos por completo hasta que no se haya instalado el estante inferior en el siguiente paso.



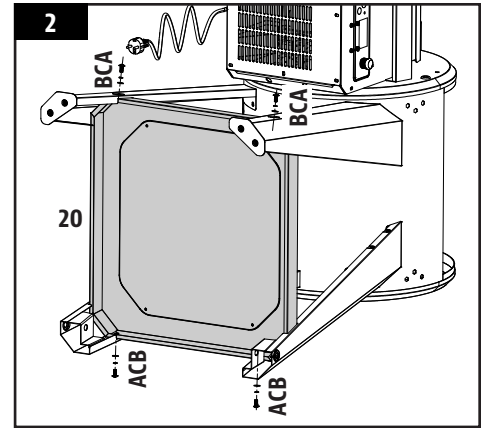
## 2. INSTALACIÓN DEL ESTANTE INFERIOR

### Piezas necesarias:

- 1 x Estante inferior (#20)
- 4 x Tornillos (#A)
- 4 x Arandelas (#B)
- 4 x Arandelas de retención (#C)

### Instalación:

- Fije una pata de soporte al estante inferior con un tornillo, una arandela y una arandela de retención. Asegúrese de que la superficie plana del estante mire hacia el tambor de la barbacoa.



## 3. INSTALACIÓN DE LAS RUEDAS EN EL CARRO

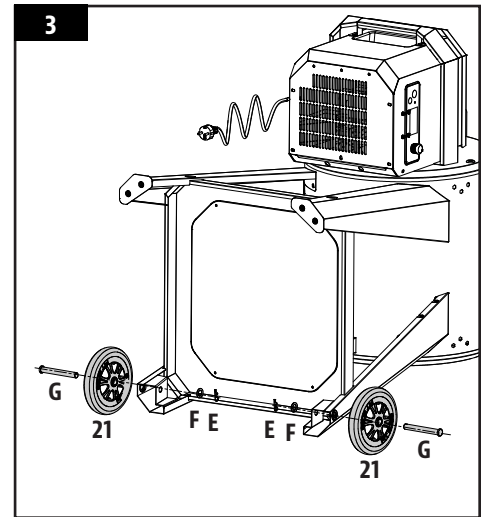
### Piezas necesarias:

- 2 x Ruedas (#21)
- 2 x Clavijas de rueda (#E)
- 2 x Arandelas de rueda (#F)
- 2 x Clavijas de eje de rueda (#G)

### Instalación:

- Acople cada rueda a las patas de soporte derecha introduciendo la clavija del eje de la rueda a través de la rueda, el orificio de la pata de soporte y la arandela de la rueda y, a continuación, fíjela con la clavija de la rueda.
- Una vez que el estante esté sujeto, ponga de pie la barbacoa con cuidado.

**IMPORTANTE:** Vuelva a apretar los tornillos de la pata de soporte para asegurarse de que están bien atornillados después de poner la barbacoa de pie.



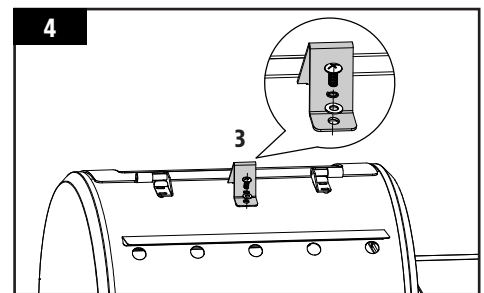
## 4. FIJACIÓN DEL TAPÓN DE LA TAPA

### Piezas necesarias:

- 1 x Tapón de la tapa (#3)

### Instalación:

- Asegure el tapón de la tapa en la parte superior del barril principal usando el tornillo preinstalado en la parte superior del barril principal.





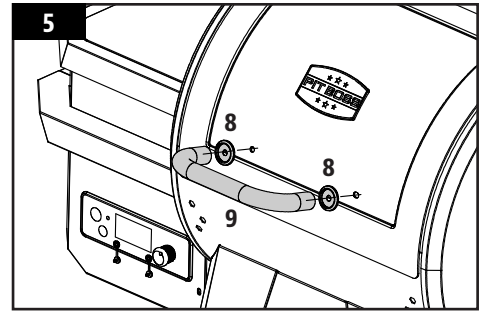
## 5. INSTALACIÓN DEL ASA DE LA TAPA

### Piezas necesarias:

- 2 x Asa de la tapa Aros (#8)
- 1 x Asa de la tapa (#9)

### Instalación:

- Quite los tornillos preinstalados del asa de la tapa. Desde dentro de la tapa del tambor, inserte un tornillo hasta que sobresalga hacia el exterior. Añada un remate al tornillo. A continuación, apriete el tornillo a mano (desde dentro) en el asa de la tapa. Repítalo para el otro lado.



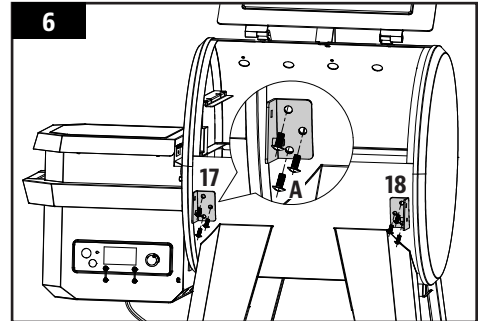
## 6. SUJECIÓN DE LOS SOPORTES DE LOS ESTANTES DELANTEROS

### Piezas necesarias:

- 1 x Soporte del estante delantero izquierdo (#17)
- 1 x Soporte del estante delantero derecho (#18)
- 6 x Tornillos (#A)

### Instalación:

- Fije un soporte del estante delantero a la parte delantera del tambor de la parrilla con tres tornillos. Introduzca cada tornillo hasta la mitad y cuando los tres estén bien montados y alineados, apriételos completamente.
- Repita la misma operación con el otro soporte del estante delantero.



## 7. INSTALACIÓN DEL ESTANTE DELANTERO

### Piezas necesarias:

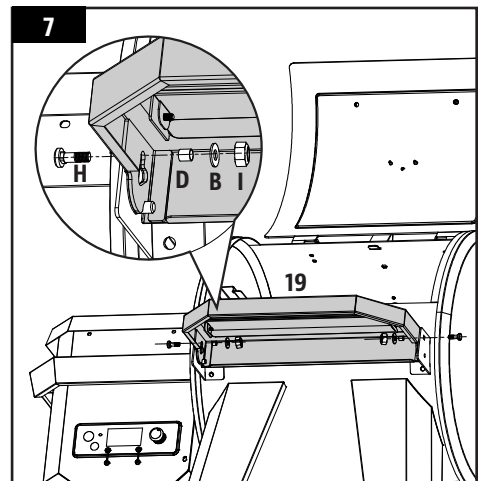
- 1 x Estante delantero (#19)
- 2 x Arandelas (#B)
- 2 x Tornillos (#H)
- 2 x Tuercas (#I)
- 2 x Casquillo (#J)

### Instalación:

- En la parte inferior, introduzca el tornillo (desde fuera) en el soporte del estante delantero y el estante delantero y, después, ponga el casquillo sobre el tornillo, la arandela y, finalmente, la tuerca. Repita la operación en el otro lado del estante delantero..

**NOTA:** Cuando se ha instalado correctamente, el estante delantero se puede subir (para utilizar) y bajar (para almacenar) con facilidad.

**IMPORTANTE:** No use los estantes para mover o levantar la parrilla. El peso de la unidad provocará que los estantes se rompan y eso no está cubierto por la garantía.



## 8. INSTALACIÓN DE LOS COMPONENTES DE LA PARRILLA

### Piezas necesarias:

- 1 x Guía de la parrilla (#4)
- 1 x Placa principal de la parrilla (#5)
- 1 x Asa del regulador de la parrilla (#10)
- 1 x Regulador de la parrilla (#11)

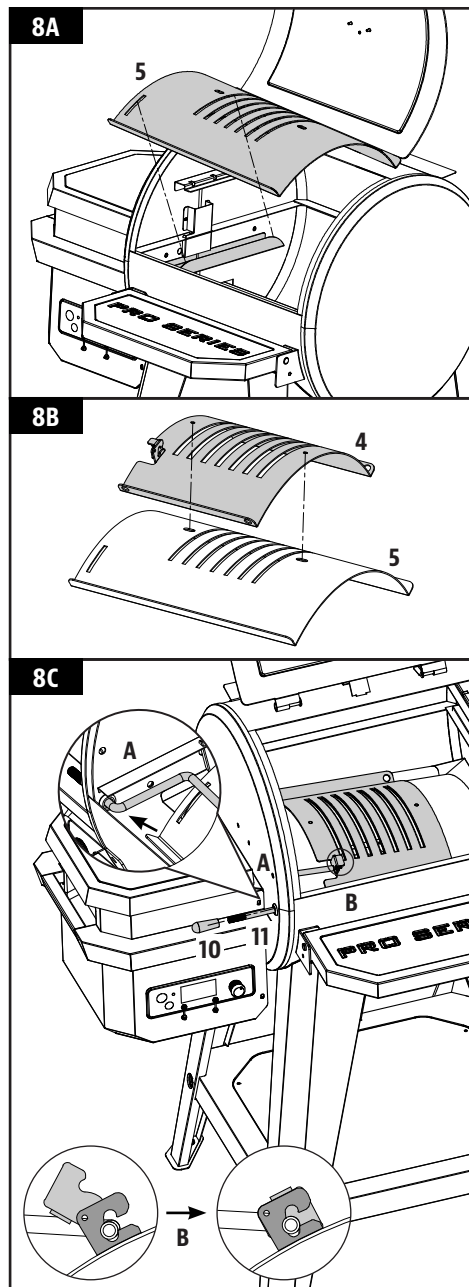
### Instalación:

- Inserte la placa principal del asador de fuego en la parrilla principal, por el lado derecho en primer lugar. Pose la placa principal del asador de fuego en el saliente integrado (lado derecho interior) de la parrilla principal que dirige la grasa hacia el recogegrasa. Deslice toda la pieza hacia la izquierda y las dos ranuras de la placa principal del asador de fuego encajarán en el saliente redondeado encima de la chimenea. Se inclinará ligeramente hacia abajo. Consulte la ilustración 8A.

**IMPORTANTE:** si la placa principal del asador de fuego está en la base del tambor, está instalada incorrectamente. El asador de fuego debe estar inclinado, con el lado izquierdo más alto que el derecho. Una mala instalación de esta pieza puede provocar daños en el tambor principal de la parrilla.

- Coloque la guía del asador en la parte superior de la placa principal del asador, de manera que las aperturas ranuradas queden cubiertas. Asegúrese de que la pestaña elevada esté a la izquierda, para un sencillo ajuste de la llama directa o indirecta cuando cocine. Consulte la ilustración 8B. Las piezas del asador tienen una fina capa de aceite para evitar la corrosión durante el envío.
- A continuación, desmonte el asa de la barra de ajuste del asador. Introduzca la barra de ajuste del asador a través del orificio de apertura del lado izquierdo del tambor principal. Vuelva a colocar el asa de la barra de ajuste del asador en el extremo que queda fuera del tambor. A continuación, deslice el extremo dentado de la barra de ajuste en la pestaña de bloqueo de la guía del asador, lo que le permite acceder a la guía del asador de la placa principal para ajustarla. Consulte los pasos en la ilustración 8C.

**NOTA:** Cuando la guía del asador esté abierta y se utilice la llama directa, no descuide la parrilla en ningún momento.



## 9. INSTALACIÓN DE LOS COMPONENTES DE COCINA

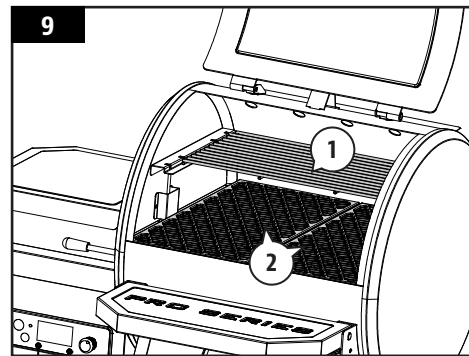
### Piezas necesarias:

- 1 x Bandeja para cocinar superior de acero con capa de porcelana (#1)
- 2 x Rejillas para cocinar de hierro forjado recubierto de porcelana (#2)

### Instalación:

- Coloque las rejillas de cocción, una al lado de la otra, sobre los salientes de la rejilla dentro de los tambores principales. Coloque las parrillas superiores para cocinar sobre los salientes superiores situados dentro de los tambores principales. La parrilla para cocinar quedará encajada.

**NOTA:** Para mantener óptima la capacidad de dorar y asar de las rejillas de cocción, se requiere un cuidado y mantenimiento frecuentes.



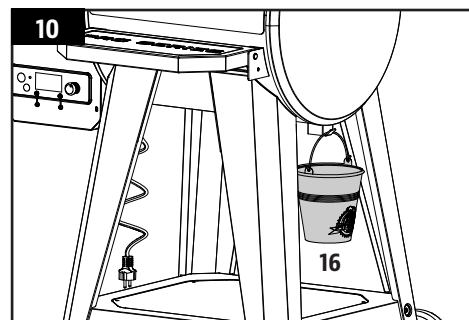
## 10. COLOCACIÓN DEL RECOGEGRASA

### Piezas necesarias:

- 1 x Recogegrasa (#16)

### Instalación:

- Coloque el recogegrasa en el caño del extremo del tambor principal. Asegúrese de que esté nivelado para evitar el derramamiento de grasa.
- La unidad está montada por completo.



## 11. CONEXIÓN A UNA FUENTE DE ALIMENTACIÓN

### • TOMA ESTÁNDAR

Este aparato requiere un suministro de 110-120 V, 60 Hz, 250 W. El enchufe debe ser con conexión a tierra y de 3 clavijas. Asegúrese de que el extremo con puesta a tierra no esté roto antes de usarlo. El control usa un fusible rápido de 110-120V, para proteger el tablero del sistema de ignición.

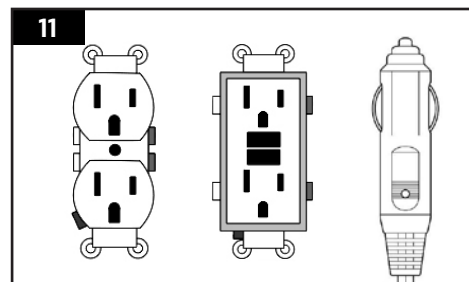
### • TOMAS GFCI

Este aparato funciona en casi todas las tomas GFCI, con un suministro recomendado de 15 A. Si su toma GFCI es muy sensible a las subidas de tensión, probable se desconecte durante la fase de arranque de funcionamiento. Durante la fase de arranque, el sistema de ignición consume 200-700 vatios de electricidad, lo que puede ser demasiada carga para una toma GFCI. Cada vez que se desconecta, aumenta su sensibilidad. Si la toma GFCI sigue saltando, sustitúyala o cambie a una toma que no sea GFCI.

### • DURANTE EL TRANSPORTE

Desconecte el sistema de ignición del mazo de cables principal. Use el procedimiento de arranque manual. Una unidad Pit Boss® puede funcionar con un inversor de 12 V y 100 W conectado a una toma de un vehículo. Para usar el sistema de ignición automática se recomienda usar un inversor de 1000 W como mínimo.

**IMPORTANTE:** desconecte la unidad de la fuente de alimentación cuando no esté en uso.



# INSTRUCCIONES DE FUNCIONAMIENTO

*Con el estilo de vida actual, en el cual nos esforzamos por comer alimentos saludables y nutritivos, un factor para tener en cuenta es la importancia de reducir el consumo de grasas. Una de las mejores maneras de reducir el consumo de grasa es usar un método de cocción con poca grasa, como asar. Dado que una barbacoa de gránulos usa gránulos de madera natural, la carne adquiere un aroma a madera que reduce la necesidad de añadir condimentos con alto contenido de azúcar. En este manual, observará que se hace hincapié en asar los alimentos lentamente con los ajustes de temperatura BAJA o MEDIA.*

## ENTORNO DE LA BARBACOA

### 1. DÓNDE INSTALAR LA BARBACOA

Como en todos los aparatos de uso exterior, las condiciones meteorológicas juegan un papel importante en el funcionamiento de la barbacoa y el tiempo de cocción necesario para que las comidas salgan perfectas.

Todas las unidades Pit Boss® deben guardar una distancia mínima de 914 mm (36 pulgadas) con los recipientes de combustible y esta distancia debe mantenerse mientras la barbacoa esté en uso. Este aparato no debe colocarse debajo de un techo o voladizo combustible. Mantenga la barbacoa en un área sin materiales combustibles, gasolina y otros vapores y líquidos inflamables.

### 2. COCINAR CUANDO HACE FRÍO

Aunque fuera haga cada vez más frío, ¡esto no supone el fin de la temporada de barbacoas! El aire frío y el aroma delicioso de los alimentos ahumados ayudan a curar la melancolía invernal.

Siga estas sugerencias para disfrutar de su barbacoa incluso en los meses más fríos:

- Si no consigue ahumar a bajas temperaturas, aumente un poco la temperatura para conseguir los mismos resultados.
- Organícese: tenga preparado todo lo necesario en la cocina antes de salir a cocinar en el exterior. Durante el invierno, traslade la barbacoa a una zona alejada del viento y del frío directo. Compruebe los reglamentos locales sobre la proximidad que debe existir entre la barbacoa y su vivienda u otras estructuras. Coloque todo lo necesario en una bandeja, abríguese y ¡a cocinar!
- Para saber la temperatura que hace fuera, coloque un termómetro para exteriores cerca del área de cocina. Lleve un registro de lo que cocina, la temperatura exterior y el tiempo de cocción. Le servirá de ayuda la próxima vez que tenga que decidir qué va a cocinar y le permitirá saber cuánto va a tardar.
- A muy bajas temperaturas, incremente en el tiempo de precalentamiento 20 minutos como mínimo.
- Evite levantar la tapa más de lo necesario. Las ráfagas de aire frío pueden enfriar por completo la temperatura de la barbacoa. Sea flexible con la hora de servir la comida; añada tiempo de cocción cada vez que abra la tapa.
- Caliente una fuente o tapa para mantener la temperatura de la comida hasta que vuelva al interior de la casa.
- Los alimentos perfectos para cocinar en invierno son aquellos que apenas requieren atención, como asados, pollos enteros, costillas y pavo. Facilite aún más la preparación de sus platos añadiendo guarniciones sencillas como verduras y patatas.

### 3. COCINAR CUANDO HACE CALOR

Cuando empieza a hacer calor, se acorta el tiempo de cocción.

Siga estas sugerencias para disfrutar de su barbacoa incluso en los meses más calurosos:

- Reduzca las temperaturas de cocción. Le ayudará a evitar llamaradas imprevistas.
- Use un termómetro para carnes para conocer la temperatura interna de los alimentos. Le ayudará a prevenir que la carne se cocine demasiado y se seque.
- Incluso cuando hace calor, es mejor cocinar con la tapa de la barbacoa cerrada.
- Para mantener calientes los alimentos, envuélvalos en papel de aluminio y colóquelos en una nevera tipo camping aislada. Rellene los huecos alrededor del papel aluminio con papel de periódico y la comida se mantendrá caliente de 3 a 4 horas.

## INTERVALOS DE TEMPERATURA DE LA BARBACOA

La temperatura que se lee en el tablero de control puede no coincidir exactamente con el termómetro. Todas las temperaturas que figuran a continuación son aproximadas y les afectan los factores siguientes: temperatura ambiente exterior, cantidad y dirección del viento, calidad del combustible de gránulos utilizado, que se abra o no la tapa y cantidad de alimentos que se cocinan.

- *TEMPERATURA ALTA (205-260°C / 401-500°F)*

Este rango es el mejor para dorar y asar a fuego fuerte. Úselo conjuntamente con el asador de fuego (placa deslizante) para cocinar con llama indirecta o directa. Con el **asador de fuego abierto**, la llama directa se usa para crear esos chuletones "azules", así como verduras asadas, tostadas de ajo o el postre americano "s'more". Cuando el **asador de fuego está cerrado**, el aire circula dentro del tambor y genera calor por convección. La temperatura alta también se usa para precalentar la barbacoa, quemar las rejillas para cocinar y conseguir fuego alto en condiciones de frío extremo.

- *TEMPERATURA MEDIA (135-180°C / 275-356°F)*

Este rango es el mejor para hornear, asar y dar el toque final a ese plato ahumado a fuego lento. Cocinar a estas temperaturas reducirá mucho la probabilidad de que la grasa genere llamaradas. Asegúrese de que la guía del asador de fuego esté en posición cerrada, cubriendo las aperturas ranuradas. Un rango perfecto para cocinar alimentos envueltos en béicon o cuando se busca versatilidad con control.

- *TEMPERATURA BAJA (82-125°C / 180-257°F)*

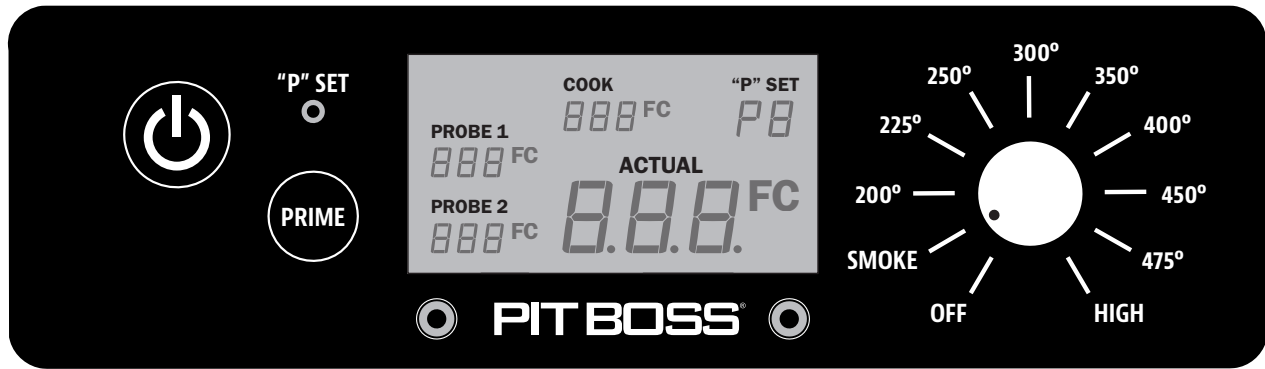
Este rango se usa para asar a fuego lento, potenciar el sabor ahumado y mantener la comida caliente. Potencie el sabor ahumado y haga que la carne resulte más jugosa prolongando el tiempo de cocción a más baja temperatura (también se conoce como **cocción a fuego lento**). Muy recomendada para el gran pavo del Día de Acción de Gracias, el jugoso jamón de Pascua o las celebraciones navideñas.








El ahumado es una variación de la auténtica barbacoa y es la principal ventaja de cocinar en una barbacoa de gránulos de madera. El **ahumado en caliente**, otro nombre para la cocción a **fuego lento**, suele hacerse a una temperatura de 82-125 °C/180-257 °F. La técnica de ahumado en caliente es óptima para ocasiones que requieren tiempos de cocción más prolongados, como para cortes grandes de carne, pescado o aves.

**CONSEJO: para potenciar ese sabor salado, cambie al rango de (bajas) temperaturas para ahumar inmediatamente después de colocar los alimentos en la barbacoa. Así el humo podrá penetrar la carne.**

La clave está en experimentar con el tiempo de ahumado, antes de que los alimentos estén cocinados. Algunos chefs especializados en cocinar al aire libre prefieren ahumar al final de una cocción y así la comida se mantiene caliente hasta el momento de servirla. ¡La práctica hace al maestro!

## DESCRIPCIÓN DEL TABLERO DE CONTROL



MANDO	DESCRIPCIÓN
	Pulse el <b>botón de Encendido</b> para encender la unidad. El botón brillará de color azul si hay conexión con una fuente de alimentación. Pulse nuevamente el botón para apagar la unidad.
	El <b>Dial de control de temperatura</b> le permite ajustar la temperatura deseada para el ahumado. Una vez conectada la unidad a la fuente de alimentación y pulsado el botón de encendido, gire el dial y seleccione cualquiera de los diez preajustes de temperatura, entre 82-260 °C/180-500 °F. Cuando se fija el dial en un preajuste de temperatura, la pantalla LCD digital se ilumina e indica que la unidad está lista para funcionar. Cuando el dial se fija en apagado, la pantalla LCD digital permanecerá apagada.
	El <b>botón de ajuste "P"</b> se usa para seleccionar uno de los ocho ajustes cuando el Dial de control de temperatura se establece en el ajuste Ahumar. Pulse el botón para cambiar el ajuste "P" y adaptarlo a su estilo y entorno de cocción como prefiera. Con <u>pulsar brevemente</u> el botón, el ajuste aumenta de P0 a P7, y después se repite. La regulación solo se puede realizar en el ajuste Ahumar. El ajuste predeterminado de fábrica es "P4". Si se regula el ajuste "P", su preferencia se fijará (guardará) hasta la próxima vez que la regule.  El <b>botón de ajuste "P"</b> también se usa como <b>Control de cambio de temperatura</b> para cambiar la lectura de la temperatura en la pantalla LCD. Pulse y <u>mantenga pulsado</u> el botón dos segundos para cambiar a Celsius (°C) o Fahrenheit (°F), como prefiera. El ajuste predeterminado es Fahrenheit.
	La <b>pantalla LCD</b> se usa como centro de información de la unidad. En la pantalla LCD se muestra la Temperatura de cocción deseada, la Temperatura de cocción real y las Temperaturas de la sonda de carne (si está conectada). Si solo hay una Sonda de carne conectada, solo se mostrará una lectura.
	Pulse y mantenga pulsado el <b>botón de Cebado</b> para activar una carga adicional de gránulos a la chimenea. Se puede usar para añadir combustible al fuego antes de abrir la tapa del tambor, lo que da lugar a un rápido tiempo de recuperación del calor. También se puede usar durante el ahumado para potenciar un sabor ahumado limpio. Solicitado de las cocinas de concurso.
	El <b>ajuste Ahumar</b> en el Dial de control de temperatura es el modo de arranque de la unidad. La barbacoa funciona a la temperatura mínima, sin que se apague el fuego.
	Los puertos de conexión complementarios en la parte frontal del Tablero de control son para la(s) <b>Sonda(s) de carne</b> . Cuando hay una sonda de carne conectada, la temperatura aparece en la pantalla LCD. Cuando no se use, desconecte la sonda de carne del puerto de conexión. <i>Compatible solamente con sondas de carne de la marca Pit Boss®. La(s) sonda(s) de carne adicionales se venden por separado.</i>



## DESCRIPCIÓN DE LAS SONDAS

### • SONDA DE TEMPERATURA

La sonda de temperatura está situada en la pared izquierda del interior del tambor principal. Es una pieza pequeña y vertical de acero inoxidable. La sonda de temperatura mide la temperatura interna de la unidad. Cuando se ajusta la temperatura en el Tablero de control, la sonda de temperatura mostrará la temperatura real dentro de la unidad y la ajustará a la temperatura deseada.

**IMPORTANTE: el clima exterior, la calidad de los gránulos usados, el sabor de los gránulos y la cantidad de alimentos que se estén cocinando afectan mucho la temperatura de la unidad.**

### • SONDA DE CARNE

La sonda de carne mide la temperatura interna de la carne en la barbacoa, similar a un horno interior. Enchufe el adaptador de la sonda de carne en el puerto de conexión de la sonda de carne en el Tablero de control e inserte la sonda de carne de acero inoxidable en la parte más gruesa de la carne, y en el tablero de control aparecerá la temperatura. **Para garantizar la conexión correcta de la sonda de carne con el puerto de conexión, deberá sentir y oír su enganche.**

**NOTA: cuando inserte la sonda de carne en la carne, asegúrese de que la sonda y sus cables no estén en contacto directo con el fuego o un calor excesivo. Esto podría dañar la sonda de carne. Tire del cable sobrante hacia fuera por el orificio situado en el lateral izquierdo de la barbacoa principal o en la parte superior de la barbacoa principal (junto a la bisagra de la tapa de la barbacoa). Cuando no se use, desconéctela del puerto de conexión de la sonda de carne y consérvela aparte para mantenerla protegida y limpia.**

## COMPRENDER EL AJUSTE "P"

Cuando se pulsa el botón de ajuste "P" empotrado, el ajuste "P" que aparece en la pantalla LCD parpadeará y cambiará al valor siguiente (a más). Una vez alcanzado P7, se reiniciará en P0. Hay ocho ajustes "P", de P0 a P7. El botón de ajuste "P" empotrado puede pulsarse con un objeto de punta fina.

**IMPORTANTE: no pulse el botón de ajuste "P" con demasiada fuerza ya que se puede romper. Basta con pulsarlo ligeramente.**

### • USO DEL AJUSTE "P" EN MODO AHUMAR

Siempre que el dial de temperatura esté en el ajuste AHUMAR, como en el ciclo de arranque, el alimentador de espiral funcionará en un modo de cocción similar al manual en lugar de usar alguno de los preajustes de temperatura del dial. En primer lugar, el alimentador de espiral girará continuamente y alimentará gránulos durante cuatro minutos. Al cabo de los cuatro minutos, el alimentador de espiral comienza un ciclo de alimentación en función del ajuste "P" seleccionado en el Tablero de control digital. El ajuste predeterminado es P4.

CICLO DEL ALIMENTADOR DE ESPIRAL (SEGUNDOS)		
AJUSTE "p"	ACTIVADO	DESACTIVADO
P0	12	80
P1	12	95
P2	12	110
P3	12	125
*P4	<b>12</b>	<b>140</b>
P5	12	150
P6	12	160
P7	12	170

\*Ajuste predeterminado de fábrica

## PROCEDIMIENTO DE CEBADO DE LA TOLVA

Debe seguir estas instrucciones la primera vez que se encienda la barbacoa y cada vez que la tolva se quede sin gránulos. El alimentador de espiral debe cebarse para que los gránulos lo atraviesen y llenen la chimenea. **Si no se ceba, el sistema de ignición agotará su tiempo de espera antes de que los gránulos se encienda y no prenderán fuego.** Siga estos pasos para cebar la tolva:

1. Abra la tapa de la tolva. Asegúrese de que no haya objetos extraños en la tolva ni que estén bloqueando la parte inferior de alimentador de espiral.
2. Extraiga todos los componentes de cocina del interior de la barbacoa. Localice la chimenea en la parte inferior del tambor principal.
3. Conecte el cable de alimentación a una toma de corriente. Pulse el **botón de Encendido** para encender la unidad y gire el **Dial de control de temperatura** a la posición AHUMAR. Realice las comprobaciones siguientes:
  - Que puede oír girar el alimentador de espiral. Coloque la mano por encima de la chimenea y compruebe si percibe el movimiento de aire. No coloque la mano ni los dedos dentro de la chimenea. Puede lesionarse.

- Después de alrededor de un minuto, el sistema de ignición debería oler a fuego y comenzar a calentarse el aire en la chimenea. La punta del sistema de ignición no brilla de color rojo, pero se calienta mucho y quema. No toque el sistema de ignición.
- 4. Una vez que haya comprobado que todos los componentes eléctricos están funcionando correctamente, pulse el **botón de Encendido** para apagar la unidad.
- 5. Llene la tolva con gránulos de madera natural para barbacoas.
- 6. Pulse el **botón de Encendido** para encender la unidad. Mantenga el **Dial de control de temperatura** en la posición AHUMAR. Pulse y mantenga pulsado el **botón de Cebado** hasta que vea gránulos en el interior de la barbacoa desde el tubo del alimentador de espiral. Una vez que los gránulos empiecen a caer en la chimenea, suelte el **botón de Cebado**.
- 7. Pulse el **botón de Encendido** para apagar la unidad.
- 8. Reinstale los componentes de cocina en el tambor principal. La barbacoa ya está lista para usar.

## PRIMER USO: QUEMAR LA PARRILLA

Una vez que haya cebado la tolva y antes de cocinar en la barbacoa por primera vez, es importante quemar la parrilla. Encienda la barbacoa para que funcione a cualquier temperatura superior a 176 °C/350 °F (con la tapa bajada) de 30 a 40 minutos para quemar la parrilla y eliminar cualquier material extraño.

## PROCEDIMIENTO DE ARRANQUE AUTOMÁTICO

1. Conecte el cable de alimentación a una toma de corriente con conexión a tierra. Abra la tapa del tambor principal. Compruebe la chimenea para asegurarse de que nada pueda obstruir un encendido correcto. Abra la tapa de la tolva. Asegúrese de que no haya objetos extraños en la tolva ni en el alimentador de espiral. Llene la tolva con gránulos secos de madera noble natural para barbacoas.
2. Asegúrese de que el **Dial de control de temperatura** esté en la posición AHUMAR. Pulse el **botón de Encendido** para encender la unidad. Se activará el ciclo de arranque. El alimentador de espiral comenzará a girar, el sistema de ignición comenzará a brillar y el ventilador enviará aire a la chimenea. La barbacoa empezará a generar humo durante el ciclo de arranque. La tapa del tambor debe permanecer abierta durante el ciclo de arranque. Para confirmar que el ciclo de arranque ha comenzado correctamente, debería oírse un ruido similar al de una antorcha y observarse la presencia de calor.
3. Una vez que se haya disipado el humo denso y blanco, habrá finalizado el ciclo de arranque y podrá disfrutar de su barbacoa a la temperatura deseada.



### PROCEDIMIENTO EN CASO DE FALLO DEL SISTEMA DE IGNICIÓN

Si, por algún motivo, el sistema de ignición eléctrica falla o se apaga la llama de la barbacoa durante la cocción, compruebe los pasos siguientes o arranque la barbacoa con el método manual.

1. Asegúrese de que el **Dial de control de temperatura** esté en la posición AHUMAR. Abra la tapa del tambor. Extraiga los componentes de cocina del interior. Extraiga todos los gránulos sin quemar y las cenizas de la chimenea. Evite el contacto con el sistema de ignición para no hacerse daño, ya que puede estar muy caliente.
2. Una vez que se hayan retirado y limpiado todos los componentes de cocina, pulse el **botón de Encendido** para encender la unidad. Compruebe lo siguiente:
  - Confirme visualmente si el sistema de ignición funciona colocando la mano por encima de la chimenea y comprobando si percibe calor.
  - Confirme visualmente si el sistema de ignición sobresale aproximadamente 13 mm/0,5 pulgadas en la chimenea.
  - Confirme visualmente si el alimentador de espiral está soltando gránulos en la chimenea.
  - Para confirmar si el ventilador de combustión está funcionando, debería escucharse un ruido similar al de una antorcha.
3. Si no funcionara alguno de los elementos anteriores, siga las instrucciones para la **Resolución de problemas**.

### PROCEDIMIENTO DE ARRANQUE MANUAL

1. Asegúrese de que el **Dial de control de temperatura** esté en la posición AHUMAR. Conecte el cable de alimentación a una toma de corriente con conexión a tierra.
2. Compruebe la chimenea para asegurarse de que nada pueda obstruir un encendido correcto. Abra la tapa de la tolva. Asegúrese de que no haya objetos extraños en la tolva ni en el alimentador de espiral. Llene la tolva con gránulos secos de madera noble natural para barbacoas.
3. Abra la tapa del tambor. Extraiga los componentes de cocina del interior para dejar a la vista la chimenea. Coloque un buen puñado de gránulos en la chimenea. Eche un chorro de gel de encendido, u otro producto de encendido adecuado para gránulos, por encima de los gránulos. Una pastilla pequeña sólida de encendido de fuego, como las compuestas por aserrín y cera, o virutas de madera, también es válida. Añada otra cantidad pequeña de gránulos a la chimenea.

**NOTA: no use alcohol, petróleo, gasolina, líquido inflamable ni queroseno para encender o reavivar un fuego en la barbacoa.**

4. Prenda el contenido de la chimenea con un fósforo largo o un mechero de cocina. Deje quemar el contenido de arranque de 3 a 5 minutos. No añada material de arranque a la chimenea. Puede lesionarse.
5. Vuelva a colocar rápidamente y con cuidado los componentes de cocina en el interior del tambor principal. Continúe con el arranque en el paso dos del **Procedimiento de arranque automático**.

### APAGAR LA BARBACOA

1. Cuando haya terminado de cocinar, y dejando cerrada la tapa del tambor principal, pulse el **botón de Encendido** para apagar la unidad y coloque el **Dial de control de temperatura** en la posición OFF (apagado). La barbacoa comenzará su ciclo de enfriamiento automático. El alimentador de espiral dejará de alimentar combustible, la llama se extinguirá y el ventilador seguirá funcionando hasta finalizar el ciclo de enfriamiento.

# CUIDADO Y MANTENIMIENTO

**ADVERTENCIA: desconecte siempre el cable eléctrico antes de abrir la barbacoa para cualquier inspección o tarea de limpieza, mantenimiento o reparación. Asegúrese de que la barbacoa se haya enfriado por completo para evitar lesiones.**

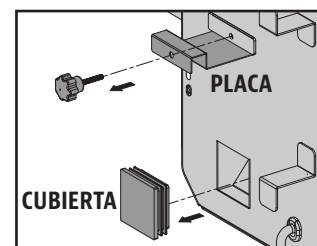
Todas las unidades Pit Boss® le proporcionarán muchos años de servicio y sabor con una limpieza mínima. Siga estos consejos de limpieza y servicio para mantener la barbacoa:

## 1. CONJUNTO DE TOLVA

- La tolva incluye una función de limpieza que facilita la limpieza y cambio de sabores del combustible de gránulos. Para vaciarla, localice la placa y el vertedero en la parte posterior de la tolva. Coloque un cubo vacío y limpio debajo de la cubierta del vertedero y a continuación retire la cubierta. Desenrosque la placa, deslícela hacia fuera y se vaciarán los gránulos.

**NOTA: use un cepillo de mango largo o un aspirador en seco y húmedo para eliminar el exceso de gránulos, serrín y residuos, y limpiar por completo la pantalla de la tolva.**

- Si no va a usar la barbacoa durante un período de tiempo prolongado, se recomienda vaciar todos los gránulos del alimentador de espiral. Para ello solo tiene que hacer funcionar la barbacoa, con la tolva vacía, hasta que hayan salido todos los gránulos del tubo del alimentador de espiral.
- Compruebe si hay residuos en el orificio de entrada de aire del ventilador, en la base de la tolva, y elimínelos. Una vez extraído el panel de acceso a la tolva (consulte el **Diagrama de cableado eléctrico**), limpie con cuidado cualquier acumulación de grasa que pueda haber en las aspas del ventilador. Así asegura una circulación de aire suficiente para el sistema de alimentación.



## 2. SONDAS

- Las arrugas o los pliegues en los cables de la sonda pueden dañar la pieza. Los cables deben enrollarse en un rollo grande y holgado.
- Aunque las sondas sean de acero inoxidable, no deben colocarse en el lavavajillas ni sumergirse en agua. El daño que el agua puede producir en los cables internos dará lugar a un cortocircuito de la sonda y a lecturas erróneas. Si una sonda está averiada debe sustituirse.

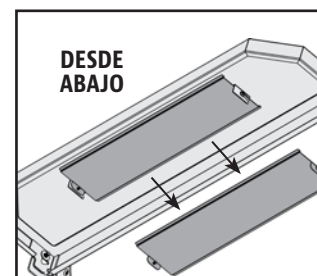
## 3. SUPERFICIES INTERNAS

- Se recomienda limpiar la chimenea cada pocos usos. Así se asegurará de que el sistema de ignición funcione correctamente y evitará cualquier acumulación de residuos o cenizas en la chimenea.
- Con un cepillo (de latón o metal suave) de mango largo para limpiar parrillas, elimine los restos de comida de las rejillas para cocinar. La práctica recomendada es hacerlo mientras están aún calientes de un uso anterior. Los fuegos de grasa se producen cuando caen demasiados residuos sobre los componentes para cocinar de la barbacoa. Limpie el interior de la barbacoa con regularidad. Si la grasa prende fuego, mantenga cerrada la tapa de la barbacoa para extinguir el fuego. Si el fuego no se extingue rápidamente, retire con cuidado la comida, apague la barbacoa y cierre la tapa hasta que el fuego se haya extinguido por completo. Esparza un poco de bicarbonato sódico, si lo tiene a mano.
- Compruebe a menudo el recogegrasa y límpielo si es necesario. Tenga en cuenta el tipo de cocina que suele realizar.

**IMPORTANTE: dado el calor intenso, no cubra el asador de fuego ni las sondas con papel aluminio.**

## 4. SUPERFICIES EXTERNAS

- El estante frontal incluye un panel extraíble debajo para facilitar la limpieza. Desde abajo, empuje la placa de respaldo hacia el cañón principal para quitarla. Limpiar y luego volver a colocar deslizándolo en su lugar.
- Limpie la barbacoa después de cada uso. Use agua tibia jabonosa para reducir la grasa. No use limpiadores de horno, limpiadores abrasivos ni estropajos abrasivos en las superficies externas de la barbacoa. **Ninguna de las superficies pintadas están cubiertas por la garantía, sino que forman parte del mantenimiento y**



**conservación general.** En el caso de rasguños de pintura, desgaste o desconchado del acabado, todas las superficies pintadas pueden retocarse con la pintura BBQ para altas temperaturas.

- Use una cubierta para una protección completa de la barbacoa. Un cubierta es la mejor protección contra los agentes contaminantes climáticos y exteriores. Cuando la unidad no se use o se almacene durante períodos prolongados, guárdela bajo techo en un garaje o cobertizo.

### FRECUENCIA DE LIMPIEZA (USO NORMAL)

COMPONENTE	FRECUENCIA DE LIMPIEZA	MÉTODO DE LIMPIEZA
Base de la parrilla principal	Cada 5-6 usos de la barbacoa	Eliminar los residuos con un recogedor o aspiradora en seco o húmedo
Chimenea	Cada 2-3 usos de la barbacoa	Eliminar los residuos con un recogedor o aspiradora en seco o húmedo
Rejillas para cocinar	Después de cada uso de la barbacoa	Quemar el exceso, cepillo de alambre de latón
Parrilla	Cada 5-6 usos de la barbacoa	Raspar la placa principal con guía, No lavar
Estantes	Después de cada uso de la barbacoa	Estropajo y agua jabonosa
Recogegrasas	Después de cada uso de la barbacoa	Estropajo y agua jabonosa
Alimentador de espiral	Cuando se vacía la bolsa de gránulos	Deje que el alimentador de espiral expela el serrín hasta que se vacíe la tolva
Componentes eléctricos de la tolva	Una vez por año	Limpiar el interior, limpiar las aspas del ventilador con agua jabonosa
Orificio de entrada de aire	Cada 5-6 usos de la barbacoa	Limpiar, estropajo y agua jabonosa
Sonda de temperatura	Cada 2-3 usos de la barbacoa	Estropajo y agua jabonosa

## USO DEL COMBUSTIBLE DE PELLETS DE MADERA

Estos pellets de madera para asador se queman de manera limpia y generan alrededor de 8200 BTU por libra, con muy poca ceniza, poco contenido de humedad (5-7%) y son neutrales en carbón. Los pellets de madera para asador se producen con material puro en bruto (aserrín) que se pulveriza en un aserradero, y el material se pasa a presión por un troquel. Conforme el pellet pasa por el troquel, se corta, se enfría, se inspecciona, se aspira y se empaqueta para su venta al consumidor. Consulte a su distribuidor local respecto a los sabores disponibles en su región.

- 
**MEZCLA DE NOGAL**

- 
**MEZCLA DE MANZANO**

- 
**MEZCLA DE MEZQUITE**

- 
**MEZCLA DE CEREZO**

- 
**MEZCLA DE COMPETENCIA**

**NOTA:** Siempre guarde los pellets de madera en un lugar seco. El contacto o exposición a la humedad, ya que esto resultará en una menor generación de calor o hará que los pellets se hinchen y desmoronen. Use una tina o cubeta hermética a prueba de humedad para almacenarlos correctamente

# LINEAMIENTOS PARA COCINAR

Ahumar y asar pueden dar diferentes resultados dependiendo del tiempo y la temperatura. Para obtener los mejores resultados lleve un registro de lo que cocinó, a qué temperatura, por cuánto tiempo, y los resultados. Ajuste a su gusto la próxima vez. La práctica hace al maestro.

El arte culinario del ahumado caliente significa un tiempo de cocción más largo, pero le da a sus carnes un sabor de madera más natural (y un muy codiciado "anillo rosado"). Las temperaturas de cocción más altas resultan en tiempos de cocción más cortos y menos sabor ahumado.

**CONSEJO:** Para obtener los mejores resultados, deje que las carnes reposen después de cocinarlas. Esto permite que los jugos naturales regresen al interior de la carne, con lo que tendrá un corte mucho más jugoso y sabroso. Los tiempos de reposo pueden ser de 3 minutos hasta 60 minutos, dependiendo del tamaño de la proteína.

ESTILO DE COCINA	AHUMADO CALIENTE (MUY BAJO)	COCIDO (BAJO)	HORNEADO (MEDIO)	ASADO/HORNEADO (MEDIO/ALTO)	MARCADO (ALTO)
Rango de temperaturas	93-135°C / 199-275°F	135-162°C / 275-323°F	162-190°C / 323-374°F	190-232°C / 374-449°F	232-260°C / 449-500°F

AVES	TAMAÑO	Un cuarto - 54°C / 130°F	Medio - 60°C / 140°F	Bien cocido - 77°C / 170°F
Pavo ( <i>entero</i> )	4.5-5.0 kg / 10-11 lbs. 5.3-6.4 kg / 12-14 lbs. 6.8-7.7 kg / 15-17 lbs. 8.2-10.0 kg / 18-22 lbs. 10.4-11.3 kg / 23-25 lbs.			Asar de 90 a 120 minutos Asar de 110 a 140 minutos Asar de 130 a 160 minutos Asar de 140 a 170 minutos Asar de 150 a 180 minutos
Pollo ( <i>entero</i> )	1.36-2.26 kg / 3-5 lbs.			Asar de 1 a 1.5 horas
Muslos, pechugas	0.45 - 0.86 kg / 1 - 1½ lbs.			Asar de 30 a 60 minutos
Aves de caza pequeñas	0.45 - 0.86 kg / 1 - 1½ lbs.			Asar de 30 a 45 minutos
Pato	1.36-2.26 kg / 3-5 lbs.			Asar o cocer de 2 a 2.5 horas

CERDO	TAMAÑO	Precocido para recalentar 60°C / 140°F	Medio 66°C / 150°F	Bien cocido 71°C / 160°F
Jamón ( <i>Porción bien cocida y sin hueso, ahumado para picnic entero y con hueso</i> )	2.5 cm / 1 pulg. 1.36-1.81 kg / 3-4 lbs. 1.81-2.72 kg / 4-6 lbs. 2.26-3.62 kg / 5-8 lbs. 4.53-5.44 kg / 10-12 lbs.	12 minutos 50 minutos a 1 hora 1 a 2 horas 1 a 2½ horas 2 a 2¾ horas		
Asado de lomo	1.36-1.81 kg / 3 - 4 lbs.		1 a 2 horas	2 a 3 horas
Corona de costillas asada	1.81-2.26 kg / 4 - 5 lbs.		1½ a 2 horas	2 a 3 horas
Chuleta ( <i>lomo, costillas</i> )	1.9-2.5 cm / ¾ - 1 pulg. 3.1-3.9 cm / 1¼ - 1½ pulg.		10 a 12 minutos 14 a 18 minutos	
Lomo	1.9-2.5 cm / ¾ - 1 pulg.		20 a 30 minutos	30 a 45 minutos
Asado de lomo, sin huesos	1.36-2.26 kg / 3-5 lbs.		1¼ a 1¾ horas	1¾ a 2½ horas
Boston Butt ( <i>hombro de puerco</i> )	3.62-4.53 kg / 8-10 lbs.			93 - 98°C / 200 - 210°F Temperatura interior

<b>RES</b>	<b>TAMAÑO</b>	<b>CALOR</b>	<b>Un cuarto 54°C / 130°F</b>	<b>Medio 60°C / 140°F</b>	<b>Bien cocido 65°C / 150°F</b>
<b>Bistec</b> ( <i>New York, Porterhouse, Rib-eye, Sirloin, T-bone o lomo</i> )	1.9 cm / ¾ pulg. 2.5 cm / 1 pulg. 3.8 cm / 1½ pulg. 5 cm / 2 pulg.	Alto	Marcar 8 a 10 minutos Marcar 10 a 12 minutos Marcar 10 minutos, asar 8 a 10 minutos Marcar 10 minutos, asar 10 a 14 minutos		
<b>Falda de res</b>	0.6 - 12.7 cm / ¼ - ½ pulg.	Alto	5 a 7 minutos		
<b>Arrachera</b>	0.45 - 0.86 kg / 1 - 1½ lbs., 1.9 cm / ¾ pulg.	Medio	Marcar 4 minutos, asar 8 a 10 minutos		
<b>Kebab</b>	Cubos de 2.5 - 3.8 cm / 1 - 1½ pulg.	Medio	Asar 10 a 12 minutos		
<b>Tenderloin, entero</b>	1.58 - 1.81 kg / 3½ - 4 lbs.	Alto/Medio	1 ½ a 2 horas		
<b>Hamburguesa</b>	1.9 cm / ¾ pulg.	Alto/Medio	Marcar 4 minutos, asar 4 a 6 minutos		
<b>Asado de rib-eye, sin huesos</b>	2.26 - 2.72 kg / 5 - 6 lbs.	Medio	1 ½ a 2 horas		
<b>Asado de tri-tip</b>	0.9 - 1.13 kg / 2 - 2½ lbs.	Alto/Medio	Marcar 10 minutos, asar 20 a 30 minutos		
<b>Asado de costilla</b>	5.44 - 6.35 kg / 12 - 14 lbs.	Medio	2 ½ a 2 ¾ horas		
<b>Chuleta de ternera</b>	2.5cm / 1 pulg.	Medio	10 a 12 minutos		
<b>Brisket</b>	7.25 - 3.62 kg / 16 -18 lbs.	Ahumado caliente	Asar hasta que la temperatura interna llegue a 91°C / 195°F		

<b>CORDERO</b>	<b>TAMAÑO</b>	<b>Un cuarto - 54°C / 130°F</b>	<b>Medio - 60°C / 140°F</b>	<b>Bien cocido - 71°C / 160°F</b>
<b>Asado (fresco)</b>	2.26 - 2.72 kg / 5 - 6 lbs.		1 a 2 horas	
<b>Corona de costillas asada</b>	1.36-2.26 kg / 3-5 lbs.		1 a 1½ horas	1½ horas

<b>MARISCOS</b>	<b>TAMAÑO</b>	<b>Un cuarto - 54°C / 130°F</b>	<b>Medio - 60°C / 140°F</b>	<b>Bien cocido - 82°C / 180°F</b>
<b>Pescado (entero)</b>	0.5 kg / 1 lb. 0.9 - 1.1 kg / 2 - 2½ lbs. 1.4 kg / 3 lbs.			Asar 10 a 20 minutos Asar 20 a 30 minutos Asar 30 a 45 minutos
<b>Pescado (filetes)</b>	0.6-1.3 cm / ¼ - ½ pulg.			Asar 3 a 5 minutos, hasta que se desmenuce con facilidad
<b>Cola de langosta</b>	0.15 kg / 5 oz. 0.3 kg / 10 oz.			Asar 5 a 6 minutos Asar 10 a 12 minutos

<b>CAZA</b>	<b>TAMAÑO</b>	<b>Un cuarto - 60°C / 140°F</b>	<b>Medio - 71°C / 160°F</b>	<b>Bien cocido - 77°C / 170°F</b>
<b>Asado (fresco)</b>	2.26 - 2.72 kg / 5 - 6 lbs.		1 a 1½ horas	1½ a 2 horas
<b>Cortes grandes (fresco)</b>	3.62-4.53 kg / 8-10 lbs.		1 horas	1½ horas

# CONSEJOS Y TÉCNICAS

Siga estos útiles consejos y técnicas, transmitidos por los dueños de Pit Boss®, nuestro personal y nuestros clientes, como usted, para familiarizarse con su asador:

## 1. SEGURIDAD DE LOS ALIMENTOS

- Mantenga limpio todo lo que haya en la cocina y en el área para cocinar. Use platos y utensilios diferentes para la carne cocida que los que utilizó para preparar o transportar la carne cruda al asador. Esto evitará la contaminación cruzada por bacterias. Cada marinada o salsa para untar debe tener su propio utensilio.
- Mantenga las comidas calientes calientes (a más de 60 °C / 140 °F), y mantenga las comidas frías frías (a menos de 3 °C / 37°F).
- Nunca debe guardar una marinada para usarla en el futuro. Si la va a servir con la carne, asegúrese de hervirla antes de servir.
- Los alimentos cocidos no deben dejarse en un entorno caliente por más de una hora. No deje alimentos calientes fuera del refrigerador por más de dos horas.
- Descongele y marine las carnes en refrigeración. No descongele la carne a temperatura ambiente ni sobre un mostrador. Las bacterias pueden crecer y multiplicarse con rapidez en comidas calientes y húmedas. Lávese las manos cuidadosamente con agua tibia y jabón antes de iniciar la preparación de los alimentos y después de manejar carne fresca, pescado y aves.

## 2. PREPARACIÓN PARA COCINAR

- Esté preparado o "**Mise en Place**". Esto se refiere a estar preparado con la receta, el combustible, los accesorios, los utensilios y todos los ingredientes que necesita junto al asador antes de empezar a cocinar. Además, lea toda la receta, de principio a fin, antes de encender el asador.
- Un tapete para asador es muy útil. Debido a los accidentes al manejar la comida y las salpicaduras al cocinar, un tapete protege su terraza, patio o piso de piedra del riesgo de manchas de grasa o derrames accidentales.

## 3. CONSEJOS Y TÉCNICAS PARA COCINAR

- Para infundir más sabor ahumado a sus carnes, cocínelas por más tiempo y a temperaturas más bajas (esto también se conoce como "**bajo y lento**"). La carne cerrará sus fibras cuando alcance una temperatura interna de 49 °C / 120 °F. Aplicar líquidos en aerosol o con un pequeño "trapeador" son excelentes maneras de evitar que la carne se seque.
- Al marcar sus carnes, cocine con la tapa cerrada. Siempre use un termómetro de carne para determinar la temperatura interna de los alimentos que está cocinando. Ahumar la comida con pellets de madera dura le da un tono rosado a la carne y las aves. La banda rosada (después de cocinar), conocida como **anillo de humo**, es muy apreciada por los chefs de asador.
- Es mejor aplicar las salsas con base de azúcar cerca del final de la cocción, para evitar que se quemen o provoquen llamaradas.
- Deje un espacio de separación entre la comida y los extremos del barril para que el calor fluya apropiadamente. Los alimentos en una parrilla muy llena necesitarán más tiempo de cocción.
- Use un juego de tenazas de mango largo para voltear las carnes, y una espátula para voltear hamburguesas y pescados. Si usa un utensilio puntiagudo, como un trinche, perforará la carne y permitirá que se escapen los jugos.
- Las comidas en platos hondos necesitarán más tiempo de cocción que en una charola plana.
- Es una buena idea colocar los alimentos preparados en un hornillo para mantenerlos calientes. Las carnes rojas, como los bistecs y asados, saben mejor cuando reposan varios minutos antes de servirlos. Esto permite que los jugos que el calor sacó a la superficie regresen al centro de la carne, dándole más sabor.

# RESOLUCIÓN DE PROBLEMAS

Una limpieza adecuada, mantenimiento y el uso de combustible limpio, seco y de calidad impedirán que surjan los problemas de funcionamiento más comunes. Cuando la barbacoa Pit Boss® no funcione bien, o se use con menor frecuencia, las siguientes sugerencias de solución de problemas pueden resultar útiles. Consulte las preguntas frecuentes en [www.pitboss-grills.com](http://www.pitboss-grills.com). También puede ponerse en contacto con su distribuidor local autorizado de Pit Boss® o bien solicitar asistencia al servicio de Atención al cliente.

**ADVERTENCIA: desconecte siempre el cable eléctrico antes de abrir la barbacoa para cualquier inspección o tarea de limpieza, mantenimiento o reparación. Asegúrese de que la barbacoa se haya enfriado por completo para evitar lesiones.**

PROBLEMA	CAUSA	SOLUCIÓN
Sin luces de encendido en el tablero de control	El dial de control de temperatura sigue apagado.	Pulse el botón de Encendido y asegúrese de que brille de color azul para indicar si hay conexión eléctrica. Gire el Dial de control de temperatura a un ajuste de temperatura.
	No conectada a una fuente de alimentación	Asegúrese de que la unidad esté conectada a una fuente de alimentación que funcione. Reinicie el disyuntor. Asegúrese de que la toma GFCI sea de 10 amperios como mínimo (véase el <b>Diagrama de cableado eléctrico</b> para consultar el acceso a los componentes eléctricos). Asegúrese de que todas las conexiones por cable estén firmemente conectadas y secas.
	Fusible quemado en el tablero de control	Extraiga el panel de acceso a la tolva (consulte el <b>Diagrama de cableado eléctrico</b> ), empuje hacia dentro las lengüetas de plástico que sujetan el tablero de control y tire cuidadosamente del controlador situado dentro de la tolva para soltarlo. Compruebe si el fusible tiene un cable roto o si el cable está ennegrecido. En caso afirmativo, es necesario cambiar manualmente el fusible.
	La toma GFCI se ha desconectado.	Extraiga el panel de acceso a la tolva (consulte el <b>Diagrama de cableado eléctrico</b> ) y asegúrese de que todos los cables estén firmemente conectados y secos. Asegúrese de que la toma GFCI sea de 10 amperios como mínimo.
	Tablero de control defectuoso	Debe sustituirse el Tablero de control. Póngase en contacto con Atención al cliente para solicitar el recambio.
El fuego de la chimenea no se enciende	El alimentador de espiral no se ceba	Antes de usar la unidad por primera vez o siempre que la tolva esté completamente vacía, debe cebarse el alimentador de espiral para que los gránulos el tubo del alimentador de espiral. Si no se ceba, el sistema de ignición agotará su tiempo de espera antes de que los gránulos lleguen a la chimenea. Siga el <b>Procedimiento de cebado de la tolva</b> .
	El motor de alimentador de espiral está atascado	Extraiga los componentes de cocina del tambor principal. Pulse el botón de Encendido para encender la unidad, gire el Dial de control de temperatura a la posición AHUMAR e inspeccione el alimentador de espiral. Confirme visualmente si el alimentador de espiral está soltando gránulos en la chimenea. Si no funciona bien, llame a Atención al cliente para solicitar asistencia o una pieza de recambio.
	Fallo del sistema de ignición	Extraiga los componentes de cocina del tambor principal. Pulse el botón de Encendido para encender la unidad y gire el Dial de control de temperatura a la posición AHUMAR, e inspeccione el sistema de ignición. Confirme visualmente si el sistema de ignición funciona colocando la mano por encima de la chimenea y comprobando si percibe calor. Confirme visualmente si el sistema de ignición sobresale aproximadamente 13 mm/0,5 pulgadas en la chimenea. Si no funciona bien, siga el <b>Procedimiento de arranque manual</b> para continuar usando la barbacoa, pero si necesita asistencia o algún recambio, llame al servicio de Atención al cliente.
Puntos parpadeantes en la pantalla LCD	El sistema de ignición está encendido	No es un error que afecte a la barbacoa. Se usa para indicar que la unidad está encendida y en modo Arranque (sistema de ignición encendido). El sistema de ignición se apagará una vez transcurridos cinco minutos. Una vez que hayan desaparecido los puntos parpadeantes, la barbacoa comenzará a ajustar la temperatura deseada que se haya seleccionado.
Temperatura parpadeante en la pantalla LCD	La temperatura de la barbacoa es inferior a 65 °C/150 °F	No es un error que afecte a la unidad, sino que se usa para indicar que hay riesgo de que el fuego se apague. Compruebe si hay combustible suficiente en la tolva o hay alguna obstrucción en el alimentador de espiral. Extraiga los gránulos y siga las instrucciones de <b>Cuidado y mantenimiento</b> . Compruebe la sonda de temperatura de la barbacoa y siga las instrucciones de <b>Cuidado y mantenimiento</b> si está sucia. Compruebe si la chimenea presenta acumulación de cenizas u obstrucciones, y siga las instrucciones de <b>Cuidado y mantenimiento</b> si hay acumulación de cenizas. Compruebe el ventilador. Asegúrese de que esté funcionando correctamente y que la entrada de aire no esté bloqueada. Siga las instrucciones de <b>Cuidado y mantenimiento</b> si está sucia. Compruebe el motor del alimentador de espiral para confirmar que está funcionando (rotando) y asegúrese de que el tubo del alimentador de espiral no esté bloqueado.

Código de error "ErH"	La unidad se ha recalentado, posiblemente debido a fuego de grasa o exceso de combustible.	Pulse el botón de Encendido para apagar la unidad y deje enfriar la barbacoa. Siga las instrucciones de <b>Cuidado y mantenimiento</b> . Tras las tareas de mantenimiento, extraiga los gránulos y confirme la colocación de todas las piezas componentes. Una vez se haya enfriado, pulse el botón de Encendido para encender la unidad y seleccione la temperatura deseada. Si aún aparece el error, póngase en contacto con Atención al cliente.
Código de error "Err"	El cable de la sonda de temperatura no establece conexión.	Extraiga el panel de acceso a la tolva (consulte el <b>Diagrama de cableado eléctrico</b> ) y compruebe si los cables de la Sonda de temperatura están dañados. Asegúrese de que los conectores molex de la Sonda de temperatura estén firme y correctamente conectados al Tablero de control.
Código de error "ErP"	La unidad no se apagó correctamente la última vez que se conectó a la alimentación.	La función de seguridad impide el reinicio automático. Pulse el botón de Encendido para apagar la unidad, espere dos minutos y pulse el botón de Encendido para volver a encender la unidad. Gire el Dial de control de temperatura al ajuste AHUMAR o a la temperatura deseada. Si aún aparece el error, póngase en contacto con Atención al cliente.
	Corte de luz mientras la unidad está en funcionamiento.	
Código de error "noP"	Mala conexión en el puerto de conexión	Desconecte la sonda de carne del puerto de conexión del Tablero de control y vuelva a conectarla. Asegúrese de que el adaptador de la sonda de carne esté firmemente conectado. Compruebe si hay indicios de daños en el extremo del adaptador. Si el fallo persiste, póngase en contacto con Atención al cliente para solicitar el recambio.
	Sonda de carne dañada	Compruebe si hay indicios de daño en los cables de la sonda de carne. Si hay daños, póngase en contacto con Atención al cliente para solicitar el recambio.
	Tablero de control defectuoso	Debe sustituirse el Tablero de control. Póngase en contacto con Atención al cliente para solicitar el recambio.
La temperatura de la barbacoa con el ajuste AHUMAR es demasiado alta	El ajuste "P" es demasiado BAJO	Pulse el botón de ajuste "P" e incremente el ajuste "P".
La barbacoa no alcanza o no mantiene la temperatura estable	Circulación de aire insuficiente en la chimenea	Compruebe si la chimenea presenta acumulación de ceniza u obstrucciones. Siga las Instrucciones de <b>Cuidado y mantenimiento</b> para la acumulación de cenizas. Compruebe el ventilador. Asegúrese de que esté funcionando correctamente y que la entrada de aire no esté bloqueada. Siga las instrucciones de <b>Cuidado y mantenimiento</b> si está sucia. Compruebe el motor del alimentador de espiral para confirmar que está funcionando y asegúrese de que el tubo del alimentador de espiral no esté bloqueado. Una vez realizados los pasos anteriores, encienda la barbacoa, establezca la temperatura en AHUMAR y espere 10 minutos. Compruebe si la llama es brillante y viva.
	Falta combustible, combustible de mala calidad, obstrucción en el sistema de alimentación	Compruebe si el nivel de combustible en la tolva es suficiente y reponga si es bajo. Si la calidad de los gránulos es mala, o si estos son demasiado largos, esto puede producir obstrucciones en el sistema de alimentación. Extraiga los gránulos y siga las instrucciones de <b>Cuidado y mantenimiento</b> .
	Sonda de temperatura	Compruebe el estado de la sonda de temperatura. Siga las instrucciones de <b>Cuidado y mantenimiento</b> si está sucia. Póngase en contacto con Atención al cliente para solicitar un recambio si está dañada.
La barbacoa despide demasiado humo o humo descolorido	Acumulación de grasa	Siga las instrucciones de <b>Cuidado y mantenimiento</b> .
	Calidad de los gránulos de madera	Extraiga los gránulos de madera húmedos de la tolva. Siga las instrucciones de <b>Cuidado y mantenimiento</b> para limpiar. Sustituya por gránulos de madera secos.
	La chimenea está bloqueada	Extraiga los gránulos de madera húmedos de la chimenea. Siga el Procedimiento de cebado de la tolva.
	Circulación de aire insuficiente para el ventilador	Compruebe el ventilador. Asegúrese de que esté funcionando correctamente y que la entrada de aire no esté bloqueada. Siga las instrucciones de <b>Cuidado y mantenimiento</b> si está sucia.
Llamaradas frecuentes	Temperatura de cocción	Pruébe cocinar a temperatura más baja. La grasa tiene un punto de inflamación. Mantenga la temperatura por debajo de 176 °C/350 °F cuando cocine alimentos muy grasos.
	Acumulación de grasa en los componentes de cocina	Siga las instrucciones de <b>Cuidado y mantenimiento</b> .



# DIAGRAMA DE CABLEADO ELÉCTRICO

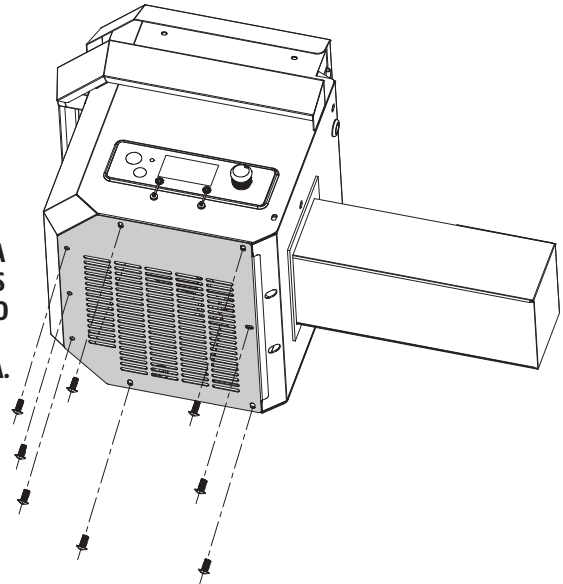
El sistema del Tablero de control digital es una pieza de tecnología compleja y valiosa. Para proteger contra las subidas de tensión y los cortocircuitos, consulte el diagrama de cableado para asegurarse de que la fuente de alimentación sea suficiente para que la unidad funcione correctamente.

## PB – REQUISITOS ELÉCTRICOS

110-120V, 60HZ, 250W, ENCHUFE DE 3 PATILLAS CON CONEXIÓN A TIERRA

NOTA: los componentes eléctricos, que han superado las pruebas de seguridad y los servicios de certificación de producto, cumplen la tolerancia de prueba de  $\pm 5-10$  por ciento.

LOCALICE Y EXTRAIGA  
LOS OCHO TORNILLOS  
DEL PANEL DE ACCESO  
SITUADO EN EL  
LATERAL DE LA TOLVA.



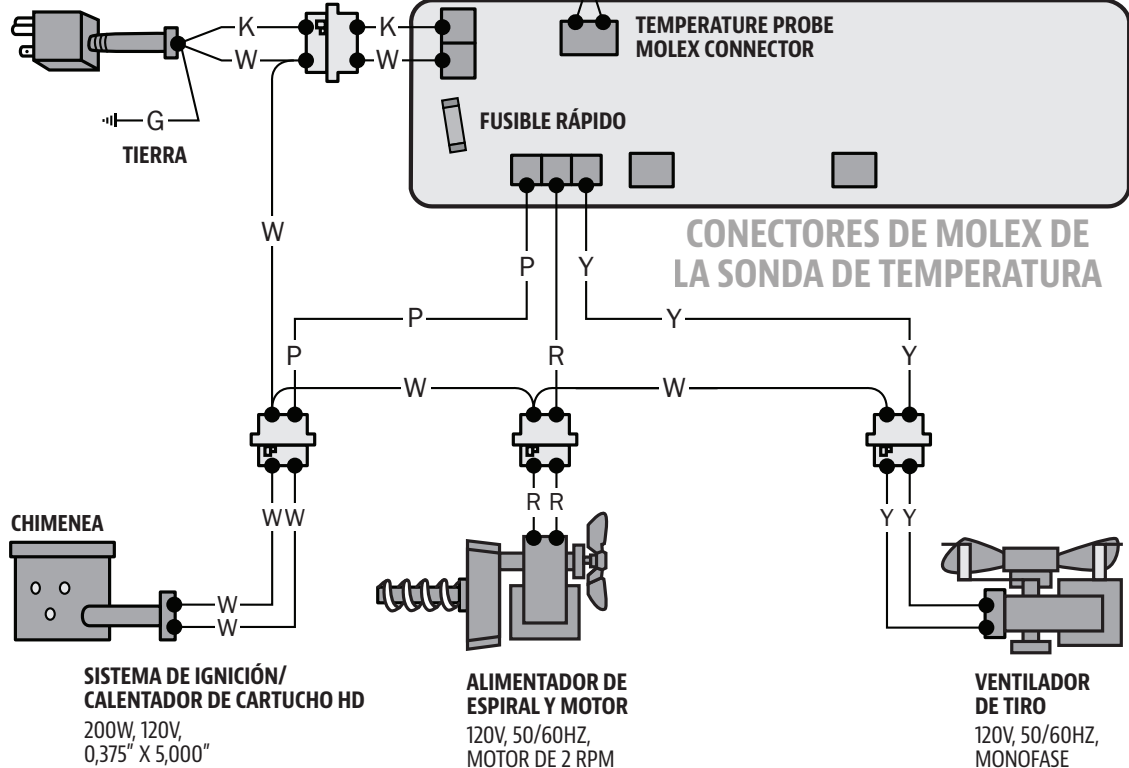
**TASA DE ENTRADA DE COMBUSTIBLE:**  
1,12 KG/H  
(2,48 LB/H)

## ÍNDICE

W : BLANCO  
Y : AMARILLO  
P : MORADO  
R : ROJO  
K : NEGRO  
G : VERDE

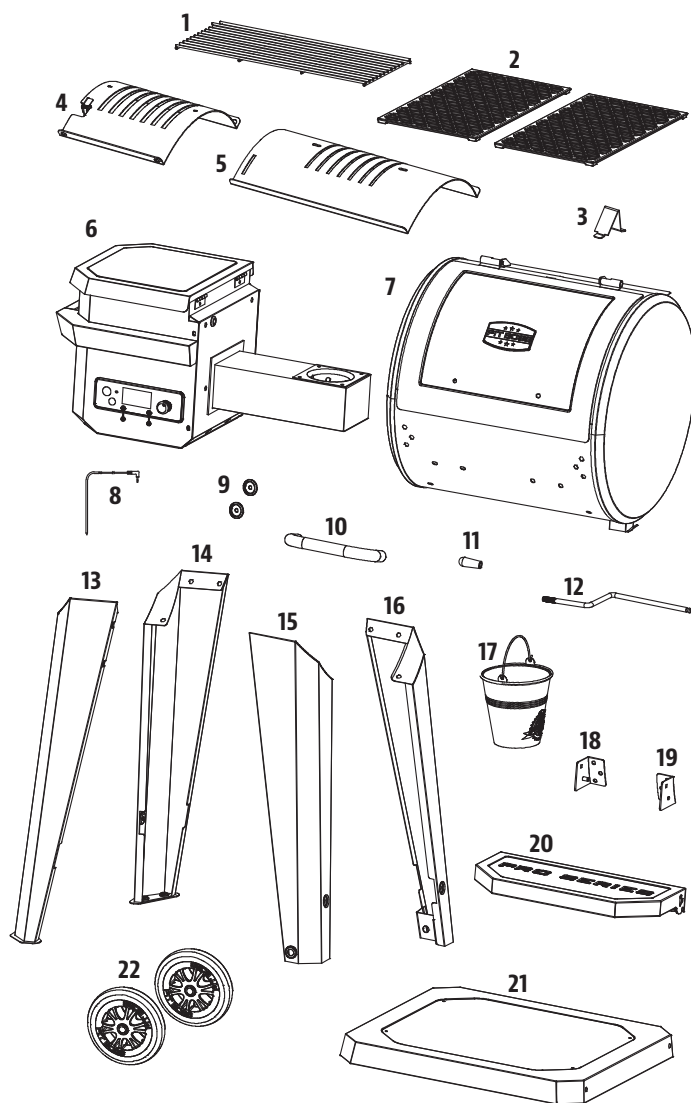
**CABLE DE ALIMENTACIÓN CON CONEXIÓN A TIERRA**

VW-1, 105°C/221°F,  
18-3 STANDARD CSA



# PIEZAS DE REPUESTO DE LA BARBACOA

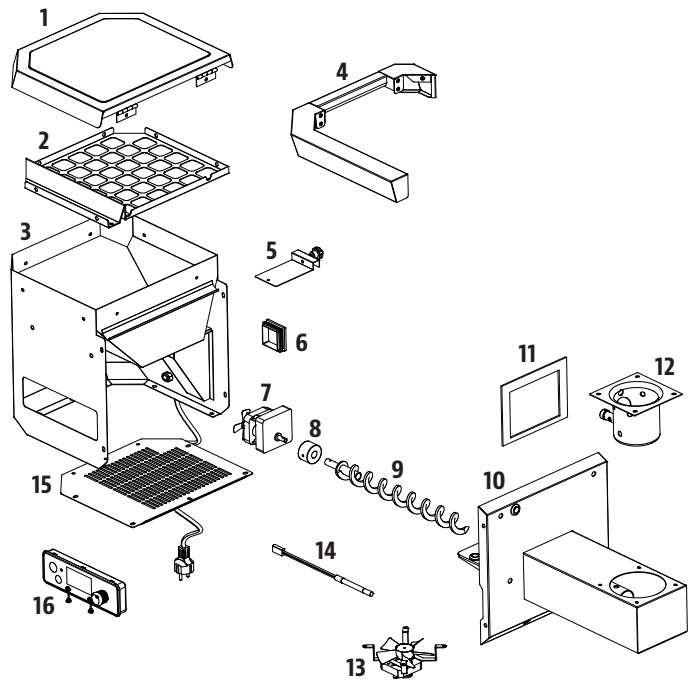
N.º	Descripción
1	Bandeja para cocinar superior de acero con capa de cerámica (x1)
2	Rejillas para cocinar de hierro forjado recubierto de cerámica (x2)
3	Tapón de la tapa (x1)
4	Guía de la parrilla (x1)
5	Placa principal de la parrilla (x1)
6	Conjunto de tolva (x1)
7	Tambor principal (x1)
8	Sonda de carne (x1)
9	Asa de la tapa Aros (x2)
10	Asa de la tapa (x1)
11	Asa del regulador de la parrilla (x1)
12	Regulador de la parrilla (x1)
13	Pata de soporte izquierda - delantera (x1)
14	Pata de soporte izquierda - posterior (x1)
15	Pata de soporte derecha - delantera (x1)
16	Pata de soporte derecha - posterior (x1)
17	Recogegrasa (x1)
18	Soporte del estante delantero izquierdo (x1)
19	Soporte del estante delantero derecho (x1)
20	Estante delantero (x1)
21	Estante inferior (x1)
22	Ruedas (x2)
A	Tornillos (x22)
B	Arandelas (x18)
C	Arandelas de retención (x16)
D	Casquillo (x2)
E	Clavijas de rueda (x2)
F	Arandelas de rueda (x2)
G	Clavijas de eje de rueda (x2)
H	Tornillos (x2)
I	Tuercas (x2)



NOTA: debido a que el producto está en desarrollo constante, las piezas están sujetas a cambios sin aviso previo.

## PIEZAS DE REPUESTO DE LA TOLVA

N.º	Descripción
1-PSH	Tapa de la tolva (x1)
2-PSH	Pantalla de seguridad de la tolva (x1)
3-PSH	Carcasa de la tolva (x1)
4-PSH	Asa de la tolva (x1)
5-PSH	Placa del vertedor (x1)
6-PSH	Tapa del vertedor (x1)
7-PSH	Motor del alimentador de espiral (x1)
8-PSH	Casquillo de nylon (x1)
9-PSH	Conjunto de fuga de la tolva (x1)
10-PSH	Carcasa del alimentador de espiral (x1)
11-PSH	Junta de la carcasa de la tolva (x1)
12-PSH	Chimenea (x1)
13-PSH	Ventilador de combustión (x1)
14-PSH	Sistema de ignición (x1)
15-PSH	Panel de acceso a la tolva (x1)
16-PSH	Tablero de control (x1)



## GARANTÍA

### CONDICIONES

Todos los asadores de pellets de madera de Pit Boss®, fabricados por Dansons, tiene una garantía limitada a partir de la fecha de venta solo para el comprador original. La cobertura de la garantía comienza en la fecha original de compra y es necesario un comprobante de la fecha de la compra o una copia de la factura original de compra para validar la garantía. Los clientes deberán cubrir el costo de las refacciones, manejo y envío si no pueden proporcionar el comprobante de compra o si la garantía ha expirado.

Dansons ofrece una garantía por cinco (5) años contra defectos y mano de obra en todas las partes, y por cinco (5) años en los componentes eléctricos. Dansons garantiza que todas las partes están libres de defectos materiales y de mano de obra, para el período de uso y propiedad del comprador original. La garantía no cubre daños por desgaste normal, tales como rasguños, abolladuras, muescas o fisuras menores superficiales. Estos cambios estéticos en la parrilla no afectan su rendimiento. La reparación o reemplazo de cualquier pieza no extiende el período de garantía limitada más allá de cinco (5) años de la fecha de compra.

Durante el período de la garantía, la obligación de Dansons se limitará solo a suministrar un reemplazo para componentes defectuosos y/o que presenten fallas. Durante el período de garantía, Dansons no cobrará por reparaciones o reemplazos de partes devueltas, con envío prepagado, si considera que las partes son defectuosas luego de haberlas examinado. Dansons no será responsable de costos de transporte, mano de obra o derechos de exportación. Salvo por lo establecido en estas condiciones de la garantía, la reparación o reemplazo de partes, de la manera y durante el período de tiempo aquí mencionados, constituye el cumplimiento de todas las responsabilidades y obligaciones, directas y derivadas, de Dansons hacia usted.

Dansons hace todo lo posible por utilizar materiales que retarden la oxidación. Incluso con estas precauciones, diferentes sustancias y condiciones fuera del control de Dansons pueden afectar los recubrimientos protectores. Las Temperaturas altas, la humedad excesiva, el cloro, los humos industriales, los fertilizantes, los pesticidas de jardín y la sal son algunas de las sustancias que pueden afectar los recubrimientos del metal. Por estas razones, la garantía no cubre corrosión ni oxidación, a menos que exista una pérdida de integridad estructural en el componente del asador. Si ocurre alguna de las condiciones anteriores, consulte la sección de cuidado y mantenimiento para prolongar la vida útil de su unidad. Dansons recomienda el uso de una cubierta para el asador cuando este no esté en uso.

La garantía se basa en el uso y servicio doméstico normal del asador, y ninguna garantía limitada se aplica a un asador que se utilice en aplicaciones comerciales.

## EXCEPCIONES

No existe una garantía escrita o implícita de desempeño en los asadores Pit Boss®, ya que el fabricante no tiene control sobre la instalación, la operación, la limpieza, el mantenimiento o el tipo de combustible utilizado. Esta garantía no aplicará, y Dansons no asumirá ninguna responsabilidad, si su aparato no se instaló, operó, limpió o mantuvo en estricto cumplimiento con este manual del propietario. Cualquier uso de gas que no se explique en este manual puede anular la garantía. La garantía no cubre daños ni fallas debidas al mal uso, manejo inapropiado o modificaciones.

Ni Dansons ni el distribuidor autorizado de Pit Boss® asumen responsabilidad alguna, jurídica o de otro tipo, por los daños accidentales o consecuentes a los bienes o las personas debido al uso de este producto. Si se realiza una demanda contra Dansons con base en una infracción de esta garantía o de cualquier otro tipo de garantía explícita o implícita por la ley, el fabricante de ninguna manera será responsable de cualquier daño especial, indirecto o consecuente, ni por otros daños de cualquier naturaleza, por encima del precio original de compra de este producto. Todas las garantías del fabricante se especifican en este documento y no se puede realizar ninguna demanda contra el fabricante por cualquier garantía o promesa.

Algunos estados no permiten la exclusión o limitación de daños incidentales o consecuentes, o limitaciones de garantías implícitas, así que las limitaciones o exclusiones especificadas en esta garantía limitada podrían no aplicar para usted. Esta garantía limitada le da derechos jurídicos específicos y usted podría tener otros derechos, los cuales varían de estado a estado.

## CÓMO ORDENAR REFACCIONES

Para ordenar refacciones, comuníquese con el distribuidor de Pit Boss® de su localidad, o visite nuestra tienda en línea en: [www.pitboss-grills.com](http://www.pitboss-grills.com)

## CONTACTO CON SERVICIO AL CLIENTE

Si tiene preguntas o problemas, comuníquese con servicio al cliente, lunes a viernes de 4 am - 8 pm hora del pacífico (ANG/FR/ES).

**service@pitboss-grills.com | Línea sin costo: 1-877-303-3134 | Fax sin costo: 1-877-303-3135**

## SERVICIO BAJO GARANTÍA

Comuníquese con su distribuidor Pit Boss® más cercano para reparaciones o refacciones. Dansons requiere un comprobante de compra para otorgar una reclamación de garantía; por lo tanto, conserve su recibo o factura de venta original para referencia futura. Puede ver el número de serie y modelo de su Pit Boss® en el interior de la tapa de la tolva. Escriba los números a continuación, ya que la etiqueta podría desgastarse o quedar ilegible.

---

MODELO

---

NÚMERO DE SERIE

---

FECHA DE COMPRA

---

DISTRIBUIDOR AUTORIZADO

# RECETAS

## BRISKET CLÁSICO

### Rinde 4 - 6 porciones

Un brisket completo de res pesa de 7.25 a 8.62 kg / 16 a 19 libras y tiene tres partes distintas: el tope, la punta y la falda. Use la sección de la falda, ya que es magra, compacta y produce buenas rebanadas al cortarla.

### Ingredientes:

1	Brisket de res 2.2-3.6 kg / 5-8 lbs, La capa de grasa debe tener al menos 0.6 cm / ¼ pulg. de grosor
1 envase	mostaza amarilla preparada
75 ml / 5 C.	sazonador
1 botella	salsa de chili
1 paquete	mezcla seca de sopa de cebolla
375 ml / 1½ tz.	caldo de res
40 ml / 8 c.	pimienta negra

**Sabor de pellets de madera sugerido: Nogal / Competencia**

### Instrucciones:

1. Extienda un trozo grande de plástico para envolver en su lugar de trabajo. De tamaño suficiente para envolver el brisket. Usando un cuchillo afilado, haga un corte en la parte inferior del brisket en contra del grano. Esto ayudará a rebanar el brisket terminado contra el grano, dándole un corte tierno que se deshace en la boca. La parte inferior es la que no tiene capa de grasa. Cubra con una cantidad generosa de mostaza preparada. Frótelas ligeramente sobre toda el área. Esparza una cantidad generosa de sazón sobre la mostaza, y vuelva a frotarla con suavidad en la carne. Voltee el brisket y repita el proceso. Envuelva el brisket preparado en el plástico y refrigere de 2 a 4 horas o toda la noche.
2. Prepare la mezcla para untar. Mezcle la salsa de chili, la mezcla seca de sopa de cebolla, el caldo de res y la pimienta negra. Déjelos reposar.
3. **Precalente el asador, y luego reduzca a SMOKE (Ahumar) o a temperatura baja.**
4. Coloque el brisket, con el lado de la grasa hacia arriba, en el centro del asador. Cierre la tapa del asador. Cocine lentamente hasta que esté tierno, de 10 a 12 horas.
5. Unte el brisket con la mezcla para untar al menos cada media hora durante las primeras 3 horas.
6. Continúe el proceso de cocción lenta hasta que la temperatura interna alcance 60-66 °C / 140-150 °F. Saque el brisket del asador. **Suba la temperatura del asador a 176 °C / 350 °F.**
7. Coloque el brisket en un envoltorio hecho de dos capas de papel aluminio. Vierta 50 ml / ¼ de taza de mezcla para untar sobre el brisket, dentro del envoltorio. Cierre el envoltorio.
8. Coloque el envoltorio cuidadosamente en el asador. Ahúme de 1 a 1½ horas.

9. Abra el envoltorio y use un termómetro de carne, la temperatura interna debe llegar a 91 °C / 195 °F. El brisket debe estar firme, pero debe poder desmenuzarse la carne con sus dedos.

10. Transfiera la carne a una tabla de cortar y déjela reposar por 10 minutos. Corte rebanadas delgadas contra el grano para servirlo.

## SALCHICHA CON CHUTNEY DE MANGO

### Rinde 4 - 6 porciones

### Ingredientes:

2	mangos (picados)
0.9 kg / 2 lbs	salchicha italiana (picante o suave)
10 ml / 2 c.	perejil fresco (molido)
15 ml / 1 C.	pimiento rojo (en cubos)
10 ml / 2 c.	miel
½	cebolla roja (en cubos)
½ bulbo	hinojo (en cubos)
5 ml / 1 c.	Jugo de lima
Pizca	sal

**Suggested Wood Pellet Flavor: Hickory / Competition**

### Instrucciones:

1. **Precalente el asador, y luego reduzca a BAJO-MEDIO (82-107 °C / 180- 225 °F)**
2. Coloque las salchichas en el asador, con una separación regular. Voltéelas cada diez minutos para asar todos los lados.
3. Combine los demás ingredientes para preparar el chutney. Enfríe hasta que esté listo para servir.
4. Deslice las salchichas asadas en diagonal, y sirva acompañadas de chutney.

## BISTEC CON QUESO AZUL

Makes 4 Servings

### Ingredientes:

4	Bistecs, T-bone o Rib-Eye 2.54cm / 1 pulg. de grosor 0.28-0.62 kg / 10-12 onzas cada uno
113 g / 4 oz.	queso azul (desmenuzado)
50 ml / ¼ tz.	Cebolla verde (en rebanadas delgadas)

**Sabor de pellets de madera sugerido: Nogal / Competencia / Whiskey**

### Instrucciones:

1. **Precalente el asador, y luego déjelo o redúzcalo ligeramente (204-260 °C / 400-500 °F).**
2. Quite el exceso de grasa de la carne y deséchelo.
3. Coloque los bistecs en la parrilla. Marque los dos lados, volteándolos cada pocos minutos.

4. **Reduzca la temperatura a 135 °C/275 °F o a 163 °C/ 325 °F.** Voltee los bistecs por última vez. Mezcle el queso azul y las cebollas. Espolvoree sobre los bistecs, cierre la tapa del asador y áselos hasta el término deseado. Revise el grado de cocción haciendo un corte en la carne cerca del hueso.

**Variación: MÉTODO DE SELLADO INVERSO**

Configure el asador a modo de AHUMADO, y coloque los bistecs en la parrilla. Ahúme a 82°C / 180°F de 5 a 15 minutos. Una vez ahumados al término deseado, vuelva a elevar la temperatura del asador a ALTA y marque los bistecs a su gusto.

**COSTILLAS BBQ**

**Rinde 4 - 6 porciones**

**Ingredientes:**

- 1.3-1.8 kg / 3-4 lbs Costillas  
Costillas de cerdo cargadas o costillas de lomo
- 45 ml / 3 C. aceite
- 5 ml / 1 c. sal
- 5 ml / 1 c. pimienta
- 2 enteras cebollas (picadas)
- 30 ml / 2 C. vinagre
- 30 ml / 2 C. salsa Worcestershire
- 125 ml / ½ tz. Jugo o refresco de manzana
- 5 ml / 1 c. paprika
- 5 ml / 1 c. chile en polvo

**Sabor de pellets de madera sugerido: Nogal / Competencia / Manzano**

**Instrucciones:**

1. **Pre caliente el asador, y luego reduzca a SMOKE (Ahumar) o a temperatura baja (82-107 °C / 180-225 °F).**
2. Prepare las costillas quitando la capa de piel dura en la parte trasera. Sazone las costillas con sal y pimienta al gusto.
3. Coloque las costillas en el asador, con una separación regular. Ahúme de 3 a 4 horas.
4. Mezcle los demás ingredientes en una charola y póngalos a hervir. Deje hervir la salsa cinco minutos hasta que se espese.
5. Sáquela del asador. **Suba la temperatura del asador a 176 °C / 350 °F.**
6. Coloque cada costillar en un envoltorio hecho de dos capas de papel aluminio. Vierta 50 ml / ¼ de taza de salsa sobre las costillas, dentro del envoltorio. Cierre el envoltorio.
7. Coloque el envoltorio cuidadosamente en el asador. Ahúme de 1 a 1½ horas.
8. Abra el envoltorio. La carne habrá expuesto los extremos de las costillas y estará muy tierna. **Ponga el asador en ALTO (260 °C / 500 °F).** Vuelva a colocar las costillas en la parrilla y úntelas con la salsa por ambos lados.
9. Cuando la salsa esté caramelizada y las costillas estén pegajosas, sáquelas del asador y sírvalas.

**Variación: MÉTODO "MEMPHIS DRY"**

Ponga el asador en ALTO (260 °C / 500 °F). Vuelva a colocar las costillas en la parrilla y sazónelas con un sazonador o aliño seco. Marque las costillas, sáquelas del asador y sírvalas.

**HAMBURGUESAS JUGOSAS DE MAMÁ**

**Rinde 4 - 6 porciones**

**Ingredientes:**

- 900 g / 2 lbs Carne molida de res o búfalo
- 15 ml / 3 c. sazonador
- 2 enteros huevos, a temperatura ambiente
- 500 ml / 2 tz. migajas de pan (secas, finas)
- 6 - 8 panes para hamburguesa / panecillos Kaiser
- 6 - 8 rebanadas queso (en rebanadas delgadas)
- 30 ml / 2 C. mantequilla

**Sabor de pellets de madera sugerido: Nogal / Competencia**

**Instrucciones:**

1. **Pre caliente el asador, y luego déjelo o redúzcalo ligeramente (204-260 °C / 400-500 °F).**
2. Combine la carne, el sazonador, los huevos y las migajas de pan en un tazón para mezclar y revuelva bien. Divida la carne en porciones y forme hamburguesas de tamaño y forma similares a los panes. Haga hamburguesas de alrededor de 1.9 cm / ¾ pulg. de grosor.
3. Coloque las hamburguesas en el asador. Ase seis minutos por cada lado, cuidando de no presionar la carne. Pruebe si están bien cocidas con un termómetro para carne; la temperatura interna debe alcanzar 71°C / 160°F. La carne puede ponerse rosada por fuera debido al humo.
4. En los últimos minutos de cocción, aplique mantequilla con un pincel a los panes y tuéstelos ligeramente en la parrilla.
5. Saque los panes y las hamburguesas cuando estén listas. Complemente las hamburguesas con queso derretido y sirva.

**CONSEJO:** Una carne ligeramente más grasosa resulta en una hamburguesa más jugosa. Como una alternativa magra, pruebe la carne molida de búfalo.

**BISTEC DE SIRLOIN CON CEBOLLAS DULCES Y PIMIENTOS**

**Rinde 4 porciones**

**Ingredientes:**

- 2 Bistecs, Top Sirloin  
1 pulg. de grosor, cortados en 4 piezas  
0.45kg/1 lb
- 10 ml / 2 c. sazonador o aliño
- 5 medianas cebollas dulces (picadas grueso)
- 2 enteros pimientos (de cualquier tipo, picados)
- 60 ml / 4 C. salsa de soya
- 60 ml / 4 C. aceite de oliva
- Pizca sal

**Sabor de pellets de madera sugerido: Nogal / Mezquite / Whisky**

### Instrucciones:

1. **Precaliente el asador, y luego reduzca la temperatura ligeramente a 218°C / 425°F.**
2. Sazone ambos lados de los bistecs con el sazónador o aliño. Cubra y refrigere al menos 1 hora.
3. Coloque las cebollas y los pimientos en una bandeja cubierta de papel aluminio. Mezcle la salsa de soya y el aceite de oliva, y rocíe la mezcla sobre la bandeja. Espolvoree con sal. Selle por completo el paquete de papel aluminio.
4. Coloque el paquete en el asador durante 10 a 15 minutos o hasta que las verduras estén suaves y tiernas. Saque el paquete del asador y manténgalo cerrado.
5. Coloque los bistecs en la parrilla. Marque los dos lados, volteándolos cada pocos minutos.
6. Áselos hasta el término deseado, y luego sáquelos del asador. Coloque en platos para servir y cúbralos con las verduras calientes.

## GALLINAS DE CORNUALLES CON ARROZ MANDARÍN

**Rinde 4 porciones**

### Ingredientes:

- |                |                        |
|----------------|------------------------|
| 4 enteras      | gallinas de Cornualles |
| 750 ml / 3 tz. | arroz mandarín         |
| 15 ml / 1 C.   | aceite de oliva        |
| 5 ml / 1 c.    | paprika ahumada        |
| 250 ml / 1 tz. | mermelada de naranja   |

### Arroz mandarín

- |                |   |
|----------------|---|
| 59 ml / ¼ tz.  | almendras (en rebanadas)                                    |
| 30 ml / 2 C.   | apio (picado)   |
| 1 pequeña      | cebolla verde (en rebanadas finas)                          |
| 30 ml / 2 C.   | mantequilla   |
| 1 lata         | gajos de mandarina (drenada)<br><small>0.4 kg/11oz.</small> |
| 30 ml / 2 C.   | jugo de naranja (concentrado)                               |
| 500 ml / 2 tz. | arroz cocido  |

**Sabor de pellets de madera sugerido: Nogal / Mesquite / Competencia**

### Instrucciones:

1. Prepare el arroz mandarín cociendo las almendras, el apio, la cebolla verde y la mantequilla en una sartén pequeña hasta que las almendras estén ligeramente tostadas. Combine la mezcla con los gajos de naranja, el jugo de naranja y el arroz cocido en un tazón, y déjela reposar.
2. **Precaliente el asador, y luego reduzca a temperatura MEDIA (135-177 °C / 275-350 °F).**
3. Enjuague las gallinas de Cornualles y séquelas con toallas de papel. Rellene las gallinas con la mezcla de arroz y ate las patas con cordel. Aplique una capa ligera de aceite de oliva con brocha a las gallinas y espolvoréelas con paprika.

4. Coloque las gallinas en el asador. Áselas de 45 a 60 minutos, hasta que la carne de la pierna esté tierna al presionarla.
5. Unte las gallinas con mermelada de naranja durante los últimos 20 minutos del tiempo de cocción. Saque las gallinas del asador y acomódelas en un plato para servir

**CONSEJO:** Si desea juntar los jugos para hacer gravy, coloque las gallinas en una bandeja de papel aluminio y añada suficiente agua o jugo para cubrir el fondo hasta unos 0.6 cm / ¼ pulg.

## KEBABS DE CAMARÓN CON MANTEQUILLA DE CURRY

**Rinde 4 porciones**

### Ingredientes:

- |               |                                |
|---------------|--------------------------------|
| 900g / 2 lbs  | camarones (pelados, sin venas) |
| 125ml / ½ tz. | mantequilla de curry           |
| 15 ml / 1 C.  | aceite de oliva                |
| 1             | lima                           |
|               | eneldo fresco                  |

### Mantequilla de curry

- |                |                  |
|----------------|------------------|
| 125 ml / ½ tz. | mantequilla      |
| 30 ml / 2 C.   | Cebolla (picada) |
| 15 ml / 1 C.   | eneldo fresco    |
| 5 ml / 1 c.    | curry en polvo   |
| Pizca          | ajo en polvo     |

**Sabor de pellets de madera sugerido: Mesquite / Competencia**

### Instrucciones:

1. Remoje brochetas de madera en agua por 1 hora.
2. **Precaliente el asador, y luego reduzca a 135-163°C / 275-325°F.**
3. Prepare la mantequilla de curry derritiendo mantequilla en una sartén pequeña a calor medio-alto. Incorpore la cebolla, el eneldo, el curry en polvo y el ajo en polvo. Deje cocer por cinco minutos y quite la sartén del calor.
4. Ensarte los camarones en brochetas, dejando espacio entre las piezas. Aplique una capa ligera de aceite de oliva con brocha.
5. Coloque las brochetas en el asador, y áselas hasta que los camarones estén blancos y tiernos. Cosa los camarones rápidamente; tenga cuidado de no cocer demasiado. Voltee las brochetas de camarón una vez y aplique la mantequilla de curry con brocha a la mitad del tiempo de cocción.
6. Acomode los camarones asados en un plato para servir. Acompañe con rodajas de lima y eneldo.

**CONSEJO:** Para ensartar un camarón de modo que quede derecho, sosténgalo estirado con una mano. Empiece por el extremo de la cola e inserte una brocheta de bambú o madera dentro del camarón de modo que atraviese toda su longitud. Siga enderezando el camarón con los dedos conforme avanza.

## CAMARÓN EN BROCHETA CON TOCINO Y ALBAHACA

Rinde 4 - 6 porciones

### Ingredientes:

24 grandes camarones (pelados, sin venas)  
24 enteras hojas de albahaca fresca  
24 rebanadas tocino (en rebanadas delgadas)

Sabor de pellets de madera sugerido: Cerezo / Manzano

### Instrucciones:

1. Remoje brochetas de madera en agua por 1 hora.
2. **Pre caliente el asador, y luego reduzca a 135-163°C / 275-325°F.**
3. Envuelva un camarón y una hoja de albahaca en una rebanada delgada de tocino, y luego ensártelo en la brocheta, dejando espacio entre los camarones.
4. Coloque las brochetas en el asador, y áselas hasta que los camarones estén blancos y tiernos y el tocino esté dorado. Cosa los camarones rápidamente; tenga cuidado de no cocer demasiado. Voltee las brochetas con frecuencia para que no se quemen.
5. Saque del calor y sirva

## PAVO AHUMADO ENTERO

Rinde para un pequeño ejército - ¡las sobras están excelentes!

### Ingredientes:

1 entero pavo (descongelado)  
9-11.3 kg / 20-25 lbs  
60 ml / 4 C. sazónador  
5 ml / 1 c. paprika ahumada  
45 ml / 3 C. mantequilla

Sabor de pellets de madera sugerido: Nogal / Cerezo / Competencia

### Instrucciones:

1. **Pre caliente el asador, y luego reduzca la temperatura a 135-177 °C / 275-350 °.**
2. Saque el pescuezo y los menudos del pavo. Enjuague el pavo abundantemente y seque la parte exterior dando golpecitos con toallas de papel.
3. En un tazón pequeño mezcle la mantequilla, ¼ parte del sazónador y la paprika para formar una pasta. Inserte cuidadosamente su mano entre la piel exterior y la carne de la pechuga. Unte la pasta en la carne.
4. Unte el sazónador restante en la superficie exterior del pavo.
5. Coloque el pavo, con la pechuga hacia arriba, en el centro de la parrilla y áselo hasta que esté tierno y dorado; la temperatura interna debe llegar a 82 °C / 180 °F en la parte más gruesa del muslo y a 77 °C / 170 °F en la pechuga.
6. Saque el pavo, cúbralo con papel aluminio y déjelo reposar por 10

minutos antes de cortarlo.

**CONSEJO:** Si quiere usar los jugos para hacer un gravy, coloque el pavo en la parrilla dentro de una bandeja de papel aluminio grande. Añada 0.6 cm / ¼ pulg. de agua o caldo y algo de sazónador en el fondo de la bandeja. Vigile los jugos, ya que quizá necesite añadir más durante la cocción.

## POLLO DE LATA DE CERVEZA

Rinde 2 - 6 porciones

### Ingredientes:

1 entero pollo  
1.8-2.7 kg / 4-6 lbs  
1 lata cerveza, de cualquier tipo  
45 ml / 3 C. sazónador

Sabor de pellets de madera sugerido: Nogal / Manzano / Competencia

### Instrucciones:

1. **Pre caliente el asador, y luego reduzca la temperatura a 135-177 °C / 275-350 °F.**
2. Abra la lata y vierta la mitad de la cerveza en un vaso para beberla. Deje la mitad en la lata, y haga algunos agujeros adicionales en la parte superior de la lata para aumentar la ventilación. Añada ¼ del sazónador a la lata.
3. Enjuague el pollo abundantemente y seque la parte exterior dando golpecitos con toallas de papel. Añada 1/4 del aliño dentro de la cavidad del pollo. Unte el sazónador restante en la superficie exterior del pollo.
4. Inserte la lata vertical dentro de la cavidad del pollo, colóquelo en la parrilla y cierre la tapa del asador. Áselo hasta que el pollo esté dorado y crujiente; la temperatura interna debe llegar a 74 °C / 165 °F.
5. Con unas tenazas saque cuidadosamente el pollo y la lata vertical del asador. Deje reposar por cinco minutos, y luego saque cuidadosamente la lata de la cavidad del pollo. Tenga cuidado de no derramar el líquido, ya que estará caliente.
6. Corte el pollo y sírvalo.

### Variación: POLLO DE LATA DE CERVEZA NO ALCOHÓLICA

Use las mismas instrucciones anteriores, pero sustituya la lata de cerveza con una lata de su refresco no dietético favorito, jugo de fruta o agua con sazónador adicional.



## POLLO SATAY FÁCIL

Rinde 2 - 6 porciones

### Ingredientes:

450g / 1 lb Pechugas o muslos de pollo (sin huesos ni piel)  
112 ml / ½ tz. Aderezo preparado ranch o italiano para ensalada  
Pizca sal  
Pizca pimienta

**Sabor de pellets de madera sugerido: Manzano / Cerezo**

### Instrucciones:

1. Corte el pollo a lo largo en piezas de 0.63 cm / ¼ pulg. de grosor o ligeramente más grandes. Enjuague el pollo y séquelo dando golpecitos con toallas de papel.
2. Coloque las piezas de pollo en una bolsa de plástico con cierre. Añada aderezo de ensalada, sal y pimienta al gusto. Selle la bolsa y agítela con cuidado, cubriendo el pollo de manera uniforme. Coloque en el refrigerador de 1 a 2 horas, o toda la noche. Agite la bolsa una o dos veces para que el pollo se marine uniformemente.
3. Remoje brochetas de madera en agua por 1 hora antes de usarlas.
4. **Precaliente el asador, y luego reduzca la temperatura ligeramente a 218°C / 425°F.**
5. Saque el pollo de la bolsa de plástico y tréncelo hacia adentro y afuera en las brochetas, como un moño.
6. Coloque las brochetas en el asador, y áselas hasta que el pollo esté blanco y firme. Voltee las brochetas con frecuencia para que no se quemen.
7. Saque del calor y sirva.

## IMPORTANT

### DO NOT RETURN PRODUCT TO STORE

FOR ALL QUESTIONS, COMMENTS, OR INQUIRIES, PLEASE CONTACT DANSONS DIRECTLY. OUR CUSTOMER SERVICE DEPARTMENT IS AVAILABLE MONDAY THROUGH SUNDAY, 4AM - 8PM PST (EN/FR/ES).

TOLL FREE: 1-877-303-3134 | TOLL FREE FAX: 1-877-303-3135

## IMPORTANT

### NE RETOURNEZ PAS LE PRODUIT AU MAGASIN

POUR TOUTE QUESTION, COMMENTAIRE OU DEMANDE DE RENSEIGNEMENTS, VEUILLEZ COMMUNIQUER AVEC DANSONS DIRECTEMENT. LE SERVICE À LA CLIENTÈLE EST OUVERT DU LUNDI AU DIMANCHE, DE 4 H À 20 H HP (ANG / FR / ES).

NUMÉRO SANS FRAIS : 1-877-303-3134 | TÉLÉCOPIEUR SANS FRAIS : 1-877-303-3135

## ¡IMPORTANTE!

### NO DEVUELVA EL PRODUCTO A LA TIENDA

PARA EL PREGUNTAS, COMENTARIOS O CONSULTAS, POR FAVOR CONTACTAR DANSONS DIRECTAMENTE. NUESTRO DEPARTAMENTO DE SERVICIO AL CLIENTE ESTÁ DISPONIBLE LUNES A VIERNES DE 4:00 A.M. A 8:00 P.M. TIEMPO DEL PACÍFICO.

LLAMADA GRATUITA: 1-877-303-3134 | FAX GRATUITO: 1-877-303-3135

[SERVICE@PITBOSS-GRILLS.COM](mailto:SERVICE@PITBOSS-GRILLS.COM)



780200902LWM

**PITBOSS-GRILLS.COM**

MADE IN CHINA | FABRIQUÉ EN CHINE | HECHO EN CHINA

**⚠️ WARNING:** THIS PRODUCT CAN EXPOSE YOU TO CHEMICALS INCLUDING WOOD DUST, WHICH IS KNOWN TO THE STATE OF CALIFORNIA TO CAUSE CANCER. COMBUSTION OF THIS PRODUCT CAN EXPOSE YOU TO CHEMICALS INCLUDING CARBON MONOXIDE, WHICH IS KNOWN TO THE STATE OF CALIFORNIA TO CAUSE BIRTH DEFECTS OR OTHER REPRODUCTIVE HARM. FOR MORE INFORMATION GO TO [WWW.P65WARNINGS.CA.GOV](http://WWW.P65WARNINGS.CA.GOV)

**⚠️ AVERTISSEMENT:** CE PRODUIT PEUT VOUS EXPOSER À DES PRODUITS CHIMIQUES INCLUANT LA POUSSIÈRE DE BOIS, CONNUE PAR L'ÉTAT DE CALIFORNIE POUR CAUSER LE CANCER. LA COMBUSTION DE CE PRODUIT PEUT VOUS EXPOSER À DES PRODUITS CHIMIQUES INCLUANT LE MONOXYDE DE CARBONE, CONNU PAR L'ÉTAT DE LA CALIFORNIE COMME CAUSANT DES ANOMALIES CONGÉNITALES OU AUTRES EFFETS NOCIFS SUR LA REPRODUCTION. POUR ACCÉDER À D'AUTRES INFORMATIONS, RENDEZ-VOUS À [WWW.P65WARNINGS.CA.GOV](http://WWW.P65WARNINGS.CA.GOV)

**⚠️ ADVERTENCIA:** ESTE PRODUCTO PUEDE EXPONERLO A PRODUCTOS QUÍMICOS INCLUYENDO POLVO DE MADERA, QUE EL ESTADO DE CALIFORNIA SABE QUE PROVOCAN CÁNCER. LA COMBUSTIÓN DEL ESTE PRODUCTO PUEDE EXPONERLO A PRODUCTOS QUÍMICOS INCLUYENDO AL MONÓXIDO DE CARBONO, QUE EL ESTADO DE CALIFORNIA SABE QUE CAUSA DEFECTOS CONGÉNITOS Y OTROS DAÑOS REPRODUCTIVOS. PARA OBTENER MÁS INFORMACIÓN, VISITE [WWW.P65WARNINGS.CA.GOV](http://WWW.P65WARNINGS.CA.GOV)

