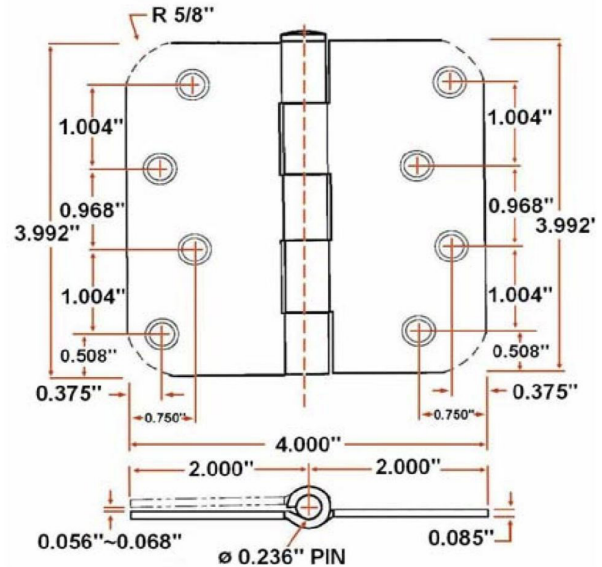


8-Hole 4" x 4", 5/8" Radius Door Hinge, 3-Pack
Satin Nickel



SPECIFICATIONS

MATERIAL CONSTRUCTION:	Steel
MOUNTING HARDWARE INCLUDED:	Yes
TOOLS NEEDED FOR INSTALLATION:	Screwdriver
ASSEMBLED DIMENSIONS:	4" H x 4" L x 0.09" D
ASSEMBLED WEIGHT:	2 lbs.
CROSS BORE:	N/A
CORNER RADIUS:	5/8"
PROJECTION:	N/A
HINGE TYPE:	Butt Hinge
NUMBER OF HOOKS:	N/A

WARRANTY: 1-Year limited warranty

LEGAL FOR SALE IN CALIFORNIA: Yes



TYPE:	
JOB:	
ORDER CODE:	
APPROVALS:	