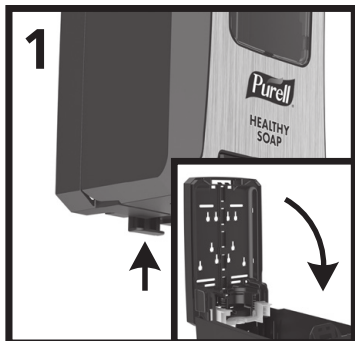




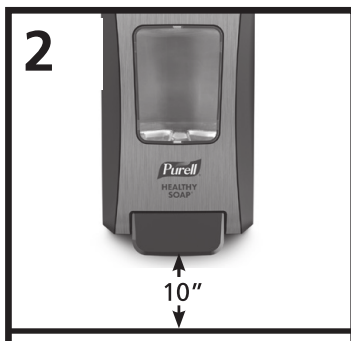
PURELL® FMX-20™ Dispenser Installation and Use Instructions

Please read all instructions carefully before installing and using the dispenser.

Dispenser Installation

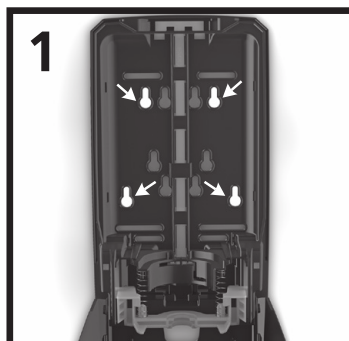


1 Open dispenser by pressing release button on the bottom and allow the front cover to descend forward. Alternatively, use separate key tab to unlock cover.

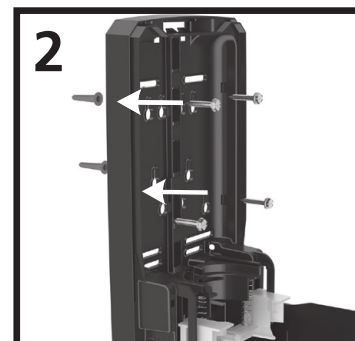


2 Install the dispenser at least 10" above counter top.

If installing with wall fasteners

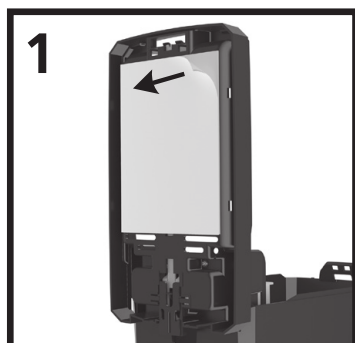


1 Using back plate as template, mark and drill center holes in wall using 1/4" (6.3 mm) spiral masonry drill bit or 1/4" (6.3 mm) wood drill bit. **Recommended holes shown.**

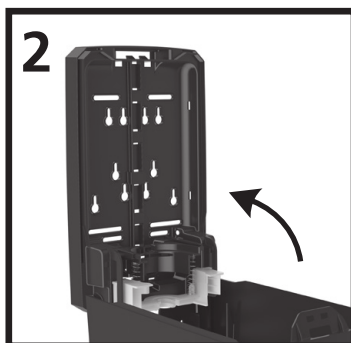


2 Install #10 x 1" (2.54 cm) anchors into drilled holes, flush against surface. Insert type A #10 x 1" (2.54 cm) fasteners into 4 installation holes in back plate, through installation tape. Tighten fasteners securely. **Be careful not to over-tighten.**

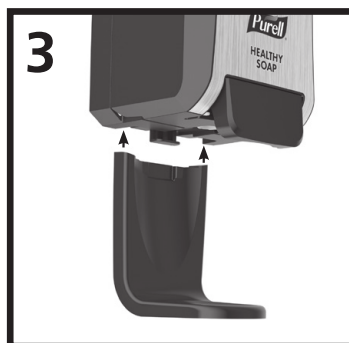
If installing with tape



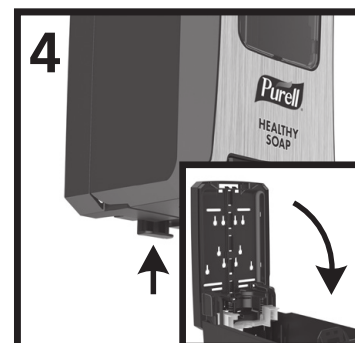
1 Clean installation surface with an alcohol pad. Allow surface to dry for 60 seconds, then peel paper off installation tape and press firmly against installation surface for 30 seconds. For maximum adhesion, wait 24 hours before loading refill or using dispenser.



2 Close dispenser cover



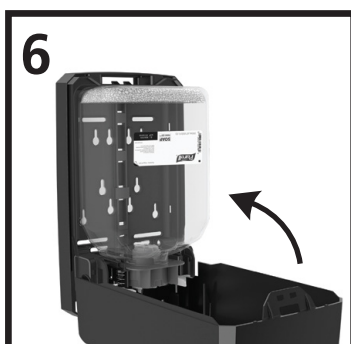
3 Install the SHIELD™ Floor and Wall Protector into the bottom of the dispenser by aligning plastic tabs on the SHIELD with slots on the dispenser and sliding up until the tabs snap into place. (SHIELD is included with Sanitizer Systems and can be ordered for Soap Systems).



4 Open dispenser by pressing release button on the bottom and allow the front cover to descend forward. Alternatively, use separate key tab to unlock cover.



5 Remove refill cap and push the new refill into dispenser until it clicks in place.

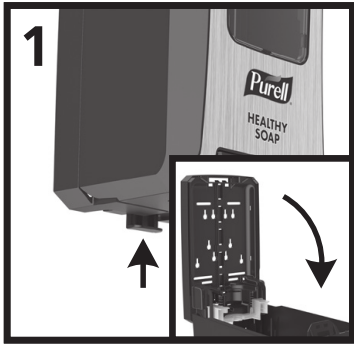


6 Close dispenser cover

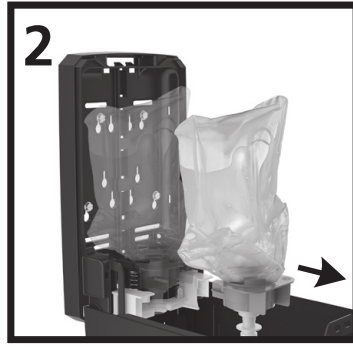


7 Place hand in middle of bar and push several times. Product will dispense as bar is depressed.

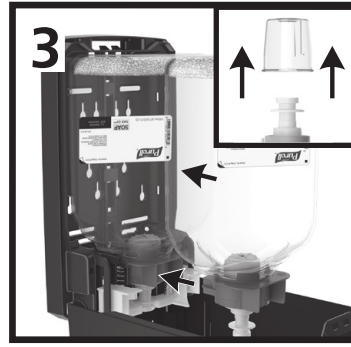
Refill Replenishment



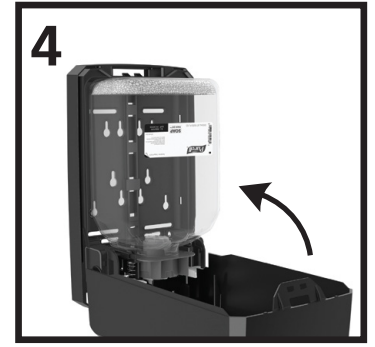
1
Open dispenser by pressing release button on the bottom and allow the front cover to descend forward. Alternatively, use separate key tab to unlock cover.



2
Remove empty refill and recycle.



3
Remove refill cap and push the new refill into dispenser until it clicks in place.



4
Close dispenser cover



5
Place hand in middle of bar and push several times. Product will dispense as bar is depressed.



GOJO Industries, Inc.
One GOJO Plaza, Suite 500
P.O. Box 991 • Akron, OH. 44309-0991
Tel: 1-330-255-6000 • Toll-free: 1-800-321-9647
Fax: 1-800-FAX-GOJO