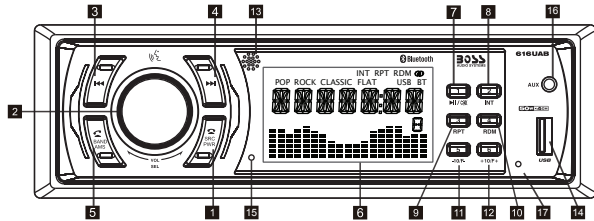


616UAB USER'S MANUAL

**BLUETOOTH® | 200 WATTS
MP3-COMPATIBLE DIGITAL
MEDIA AM/FM RECEIVER**
FEATURING WIRELESS REMOTE CONTROL



Overview of the Components



1. PWR(power On/Off), SRC (source) button, (end call) button
2. VOL (volume) knob, (Push-To-Talk) button, SEL (select/menu) button
3. (tune/seek down, previous track, fast reverse) button
4. (tune/seek up, next track, fast forward) button
5. BAND button, AMS(automatic store / preset station scan, automatic music search) button, (answer call)
6. LCD Display
7. (pause/play), (MUTE) button, Preset station 1 button
8. INT (intro), Preset station 2 button
9. RPT (repeat), Preset station 3 button
10. RDM (random), Preset station 4 button
11. -10(previous 10 tracks), F-(previous folder), Preset station 5 button
12. +10(next 10 tracks), F+(next folder), Preset station 6 button
13. IR remote sensor
14. USB Port
15. Hands-free Microphone
16. AUX IN (aux audio input) jack
17. Reset button

General Operation

Turn Unit on/off, Change the Source

- Press any button to turn on the unit. Press and hold the **SRC/PWR** button to turn off the unit.
- Press the **SRC/PWR** button to select the different modes: Radio, USB(with USB device inserted), AUX-IN(aux audio input) and BT(Bluetooth) modes.

Adjust the volume (VOL)

Rotate the **VOL** knob to increase or decrease the volume level.

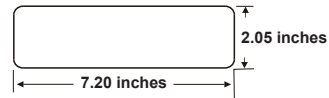
Installation

Installation Procedures

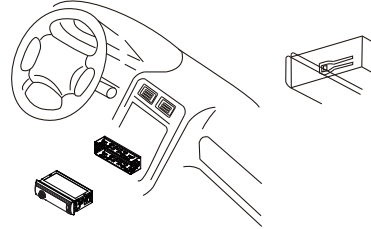
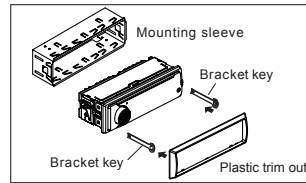
First complete the electrical connections and then check for correctness of connection.

Installation Opening

This unit can be installed in any dashboard which has an opening as shown below.



Insert the mounting sleeve into the dashboard. Then bend the tabs on the mounting sleeve with a screwdriver to achieve fastening of the mounting sleeve.
Make sure that lock lever is flush with the mounting sleeve(not projecting outward).



General Operation

Push-To-Talk

Press the (icon) button (VOL knob) to access to smartphone voice assistant capability via Bluetooth.

Adjust Menu Options (SEL)

- Press and hold the **SEL** button (volume knob) to enter into setting menu, then press the **SEL** button (volume knob) repeatedly to select setting items:
 - Clock Display/Settings: Press and hold the **SEL** button (volume knob) to display clock time. Press and hold the **SEL** button (volume knob) again, the hours digits start flashing on the display, Set hours by rotating the **VOL** knob. Short press the **SEL** button (volume knob), the minute digits start flashing. Set minutes by rotating the **VOL** knob.
 - ILL MID/HI/LOW: This receiver is equipped with 3 brightness settings. Rotate the volume knob to preset the illumination to middle, high or low.
 - BASS/TREBLE:-7, -6, ~, -1, 0, +1, ~, +6, +7
Note: BASS and TREBLE settings are only enabled when EQ setting is turned OFF.
 - BALANCE:L7, L6, ~, L1, 0, R1, ~, R6, R7
 - FADER:R7, R6, ~, R1, 0, F1, ~, F6, F7
 - EQ(Equalizer) Setting: OFF, FLAT, CLASS, POP, ROCK, JAZZ
 - Loudness: LOUD ON/OFF
 - DX/LOCAL: Enables or disables the local broadcast mode (LOCAL).
 - Stereo/Mono: Switches between MONO and STEREO reception mode for radio frequencies.
 - CLOCK 12/24: Select between 12 hours and 24 hours display.
 - AREA US/EU: This car radio is equipped the USA / Europe frequency. Rotate the volume knob to switch between USA and Europe frequency. The system will change the frequency setting in about 3 seconds.
- Rotate the **VOL** knob to change values.

Mute On/Off

During AUX mode, briefly press the (MUTE) button to toggle mute on or off.

USB Port

Connect to a USB storage device for audio play, or charging of a mobile phone.

Hands-free Microphone

To receive your voice when you calling by using this bluetooth handsfree system.

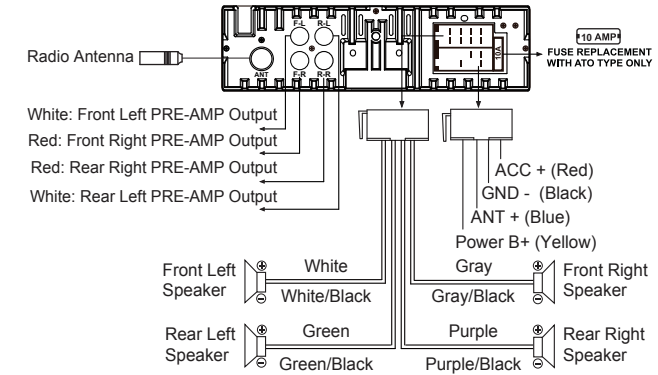
Aux Audio Input Jack

Connect to the headphone jack on an external device (e.g. a mobile phone or MP3 player) for audio play.

Installation

Connect all wiring harness and slide the head unit into the mounting sleeve until it clicks into place.

Wiring Connections



- +12V DC Negative Ground.
- Only support speakers of 4 ohms or above.
- The maximum current of the Amp remote trigger is 200mA.

General Operation

Reset

Push the **RESET** button with a thin object with a pointed end to reset the unit. This function may be used when the LCD does not display normally or sound is distorted, or when any of controls are disabled.

Radio Operation

Switch Between USA area and Europe area Frequency

In radio mode, press and hold the **SEL** button (volume knob) to enter into setting menu, then press the **SEL** button (volume knob) repeatedly to access the state of the USA and Europe frequency, then rotate the volume knob to switch between USA and europe frequency. The system will change the frequency setting in about 3 seconds.

Change Bands

In radio mode, shortly press the **BAND** button to switch between the FM1 (F1), FM2(F2), FM3(F3) and AM1(A1), AM2(A2) bands.

To Store / Recall Preset Stations

The radio can be stored 6 preset stations for each band (FM1, FM2, FM3, AM1 and AM2) for a total of 30 preset stations.

- To memorize a station:

Press and hold the desired preset buttons (1-6) to save a radio station.

- To recall a preset station:

Briefly press the respective station button (1-6) to recall the corresponding preset station.

Manual Tuning

In the radio mode:

Press and hold the (next) or (previous) button to enter the manual tuning mode.

In manual tuning mode, briefly press the (next) or (previous) button to search the next or previous frequency step by step.

Seek Tuning

In radio mode, press the (next) or (previous) button, the automatic search will start, it will search upward or downward for the strong signal radio station within the current band. The auto searching will stop until find a station.

Automatic Store Station / preset station scan

Press and hold the **AMS** button to store 18 FM stations and 12 AM stations automatically.

Briefly press the **AMS** button on remote control to recall each preset station that stored in the memories in each band.

USB Operation

Play MP3/WMA music inside a USB stick. Insert the USB stick with MP3/WMA musics into the USB port, it will play automatically.

Note: the USB port also supports charging mobile phone, the maximum charging ability is 5V/1A.

Select Next Track or Previous Track

In the USB mode, briefly press the ►► or ◀◀ button to play the the next or previous track.

Fast Forward/Reverse

Press and hold the ►► or ◀◀ button to fast forward or reverse a track.

Play / Pause

Press the ►◄ button to interrupt the playback of a music (pause function). Press this button again to continue the playback.

Introduction Scan

Press the INT button to play the first 10 seconds of each track. Press again to stop the introduction scan, and play the current track.

Repeating the track

Press the RPT button to toggle between RPT ONE (Continuously repeat current track) and RPT FLR (Continuously repeat all tracks in current folder), RPT ALL (Play all track).

Playing all tracks in random

Press RDM once, play all tracks randomly. Press RDM once again, exit from random playback.

Track/Folder Navigation

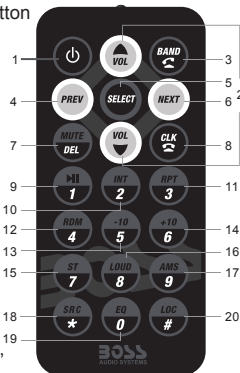
- Press the -10/+10 buttons to jump 10 tracks backward or forward. It is required that over 10 tracks be available on the storage medium.
- Press and hold the -10/+10 button to select the previous or the next folder. (If there are folders on the storage medium.)

Select the track or file for playback in MP3 format

- Press and hold the AMS button to enter track search mode.
- Rotate the volume knob to select the number of your favorite track with high speed.
- When the desired track number appears, confirm your selection by pressing the volume knob.

Remote Control

- ⏻ (Power on/off) button
- VOL+/VOL-(volume increase/decrease) button
- Band button, 📶 (answer call) button
- PREV: tune down, seek down;
Track down, fast reverse
- SEL(selection) button
- NEXT: tune up, seek up;
Track up, fast forward
- Mute button, DEL(Delete) button
- CLK(clock setting) button,
📞 (end call) button
- ◄ button, preset station 1 button,
keypad 1
- INT(intro) button, preset station 2 button,
keypad 2
- RPT(repeat) button, preset station 3 button,
keypad 3
- RDM(random), preset station 4 button, keypad 4
- 10(previous 10 tracks), preset station 5 button, keypad 5
- +10(next 10 tracks), preset station 6 button, keypad 6
- ST(stereo) button, keypad 7
- LOUD(loudness) button, keypad 8
- AMS(automatic music search) button, keypad 9
- SRC(Source) button, keypad *
- EQ(Equalizer) button, keypad 0
- LOC(local)/DX button, keypad #



Note: When using the remote control for the first time, you must pull out the protective plastic tab from the battery compartment found on the back of the remote control.

Aux Audio Operation

Using this socket, it is possible to hear the sound of other playback devices such as MP3 players, CD players etc. through the car loudspeaker.

- Please connect the external device with a 3.5 mm stereo jack plug to the AUX socket.
- Press the SRC button repeatedly until "AUX IN" appears in the display.
- You hear the playback from the external device via the loudspeakers. You can adjust the volume of the external device to a comfortable level with the volume control of this device.

Bluetooth Operation

Pair and Connect

- Pair the mobile phone with the device before using it.
- In any mode, prior to pairing and connecting, the BT logo is flashing in the LCD indicating that no device is connected. To begin pairing, enable BT mode on your mobile phone.
 - When the phone finds the car audio system, the "BOSS AUDIO 616UAB" name will be displayed.
 - Choose the "BOSS AUDIO 616UAB" from the device list to pair and connect with the car audio system. Upon confirming, the BT logo will stop flashing.
 - When pairing is complete, the mobile phone audio will automatically transfer to the car audio system whenever a call is made or received, or when the mobile phone plays music.

Make a Call

- To make a call, dial the call directly from the paired mobile phone.
- To make a call with this bluetooth handsfree system:
 - When linking up the Bluetooth-enabled mobile phone to this bluetooth handsfree system, press the 📶 button to access the dial telephone number mode, then press the "0-9", * and # button on remote control to input the telephone number, and the entered number will be shown on the LCD display.
 - If a number has been incorrectly inputted, press the DEL button or 📶 button to delete it.
 - Press the 📶 button to make outgoing call.

Answer a Call

When the mobile phone is called, the incoming telephone number displays on the LCD display. Press the 📶 button to receive the incoming call.

Reject or End a Call

To reject or end the call, press the 📶 button.

Specifications

General

Power supply Requirement :	DC 12V
Maximum power output :	50W X 4CH
Speaker impedance :	4 - 8 Ohm
Unit Dimensions(WxHxD) :	7.0 X 2.0 X 2.76 inches
Weight :	0.84 lbs
Fuse :	10 A

RADIO

FM

Frequency Range:	87.5 MHz - 107.9 MHz (USA) 87.5 MHz - 108.0 MHz (EUROPE)
Channel step:	200 KHz (USA) 50 KHz (EUROPE)

AM

Frequency Range:	530 KHz - 1710 KHz (USA) 522-1620 KHz (EUROPE)
Channel step:	10 KHz (USA) 9 KHz (EUROPE)

USB

Usable Audio Formats:	MP3/WMA
USB Port Type:	2.0
USB Charging:	5V/1A
Pre-amp Output:	Front and Rear
Frequency Response:	20 Hz - 20KHz
S/N Ratio:	60dB

BT

BT Profile supports:	Headset, Handsfree and A2DP & AVRCP
Range of frequency:	2.4GHz

Bluetooth Operation

Redial Last Dialed Number

Press and hold the 📶 button to redial the last dialed phone number.

Switch Audio Between Car Audio and mobile Phone

During a call, press the VOL knob/button to switch the audio source from the car audio system back to your mobile phone.

Audio Streaming (A2DP)

The unit supports A2DP (advanced audio distribution profile) wireless streaming audio from your Bluetooth mobile device directly to your head unit. You can also control your music from the front panel of the head unit using AVRCP (audio video remote control profile).

- After pairing, connecting and enabling streaming audio from a compatible mobile device, press the SRC button to enter BT mode and the "BT AUDIO" will be shown on the LCD display.
- When a mobile device is paired, music played through that device will automatically be heard through the car audio system.
- Press the ►► or ◀◀ button to play the next or previous on the mobile phone.
- Press the ►◄ button to pause or resume music playback.

Push-To-Talk

This Push-To-Talk feature allows direct access to Android and IOS smartphones voice assistant capability when user establish the bluetooth connection between user's smartphone and this receiver. Simply connect directly from this receiver via Bluetooth with 📶 button (VOL knob).

Note:

Before using the Push-To-Talk, user must enable the mobile data on user's smartphone.
To use the navigation feature, switch to the BT Audio source to hear voice commands over your vehicles speakers.



BOSS Audio Systems
3451 Lunar Court • Oxnard, CA 93030
www.bosssaudio.com
805-751-4853 Customer Service
Tech Support: www.bosssaudio.com/support



0522

iPod® and iPhone® are trademarks of Apple, Inc., registered in the U.S. and other countries. BOSS Audio Systems is not affiliated with Apple, Inc. The Bluetooth® word mark and logos are registered trademarks owned by Bluetooth SIG, Inc. and any use of such marks by BOSS Audio Systems is under license. Other trademarks and trade names are those of their respective owners.