

ORDER BY PART NUMBER

ILLUSTRATED PARTS

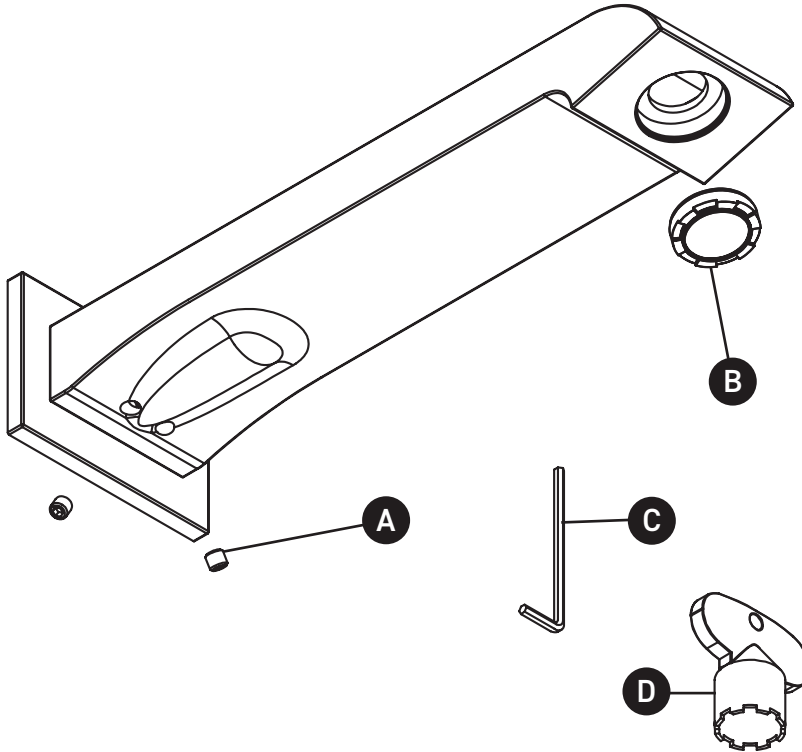
Z080

Zendo™ Wall Mount Tub Spout

ID	Kit Number	Finish
A	152-045	N/A
B	6676	N/A
C	505-025	N/A
D	500-033	N/A

*Finish Determined by Suffix

Finish	Description
BK	Black
BN	Brushed Nickel
C	Chrome



For warranty or additional information, contact:

U.S.A.
houseofrohl.com/support
1-800-777-9762

QUEBEC / MARITIMES / WESTERN CANADA
QUÉBEC / MARITIMES / OUEST CANADIEN
QUEBEC / MARITIMOS / CANADA OCCIDENTAL
houseofrohl.ca/support
1-866-473-8442

ONTARIO
houseofrohl.ca/support
1-800-287-5354

VEUILLEZ EFFECTUER VOTRE COMMANDE
PAR NO DE RÉFÉRENCE

ILLUSTRATIONS DES PIÈCES

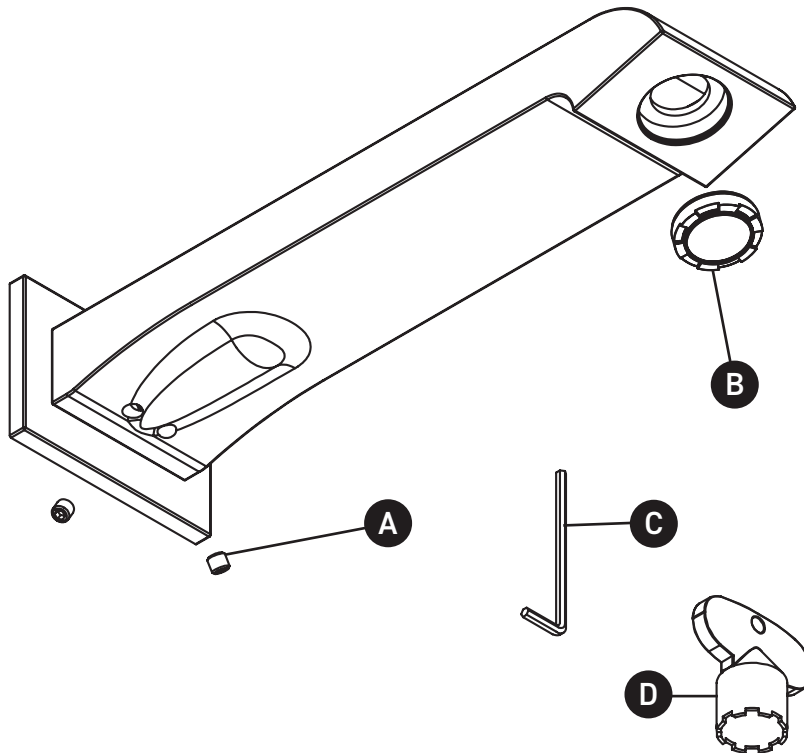
Z080

Bec de bain mural Zendo™

ID	Référence du kit	Finition
A	152-045	N/A
B	6676	N/A
C	505-025	N/A
D	500-033	N/A

*Finition déterminée par le Suffixe

Finition	Description
BK	Noir
BN	Nickel brossé
C	Chrome



For warranty or additional information, contact:

U.S.A.
houseofrohl.com/support
1-800-777-9762

QUEBEC / MARITIMES / WESTERN CANADA
QUÉBEC / MARITIMES / OUEST CANADIEN
QUEBEC / MARITIMOS / CANADA OCCIDENTAL
houseofrohl.ca/support
1-866-473-8442

ONTARIO
houseofrohl.ca/support
1-800-287-5354

PEDIR POR NÚMERO DE REFERENCIA

PIEZAS ILUSTRADAS

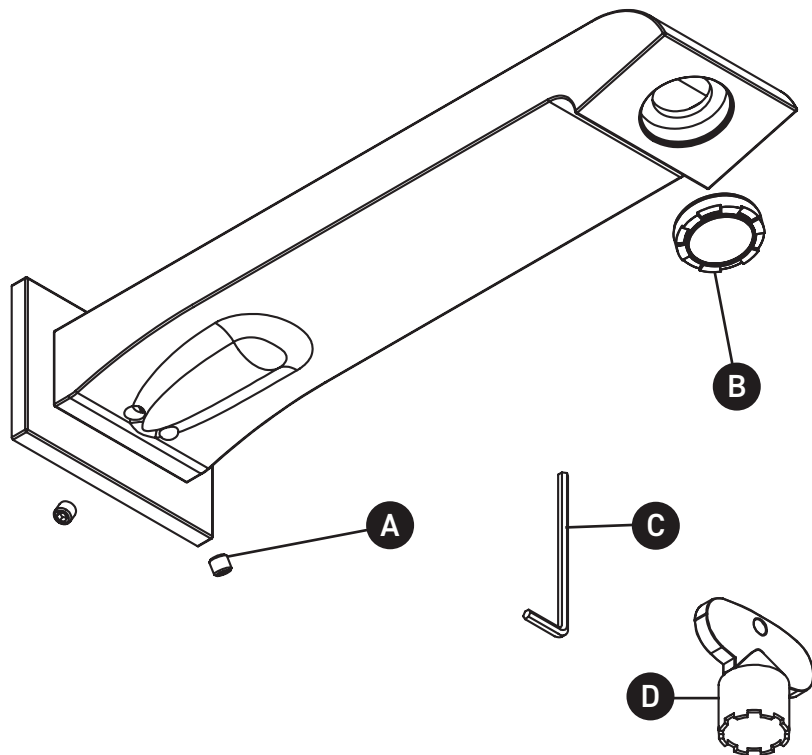
Z080

Caño para bañera de montaje en pared Zendo™

ID	Referencia del kit	Acabado
A	152-045	N/A
B	6676	N/A
C	505-025	N/A
D	500-033	N/A

*Acabado determinado por el sufijo

Acabado	Descripción
BK	Negro
BN	Niquel pulido
C	Cromo



For warranty or additional information, contact:

U.S.A.
houseofrohl.com/support
1-800-777-9762

QUEBEC / MARITIMES / WESTERN CANADA
QUÉBEC / MARITIMES / OUEST CANADIEN
QUEBEC / MARITIMOS / CANADA OCCIDENTAL
houseofrohl.ca/support
1-866-473-8442

ONTARIO
houseofrohl.ca/support
1-800-287-5354