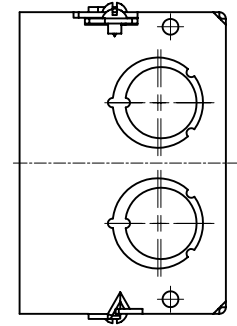
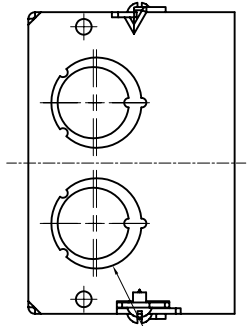
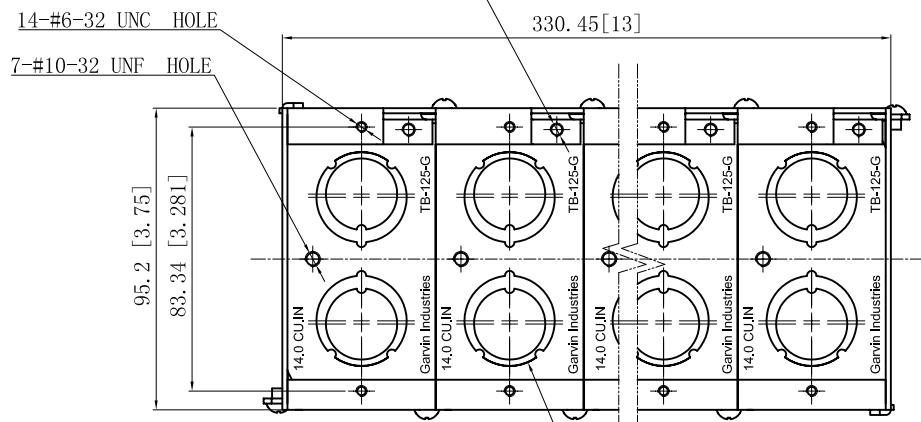
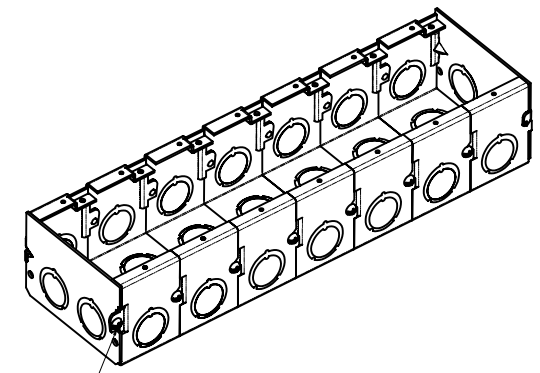
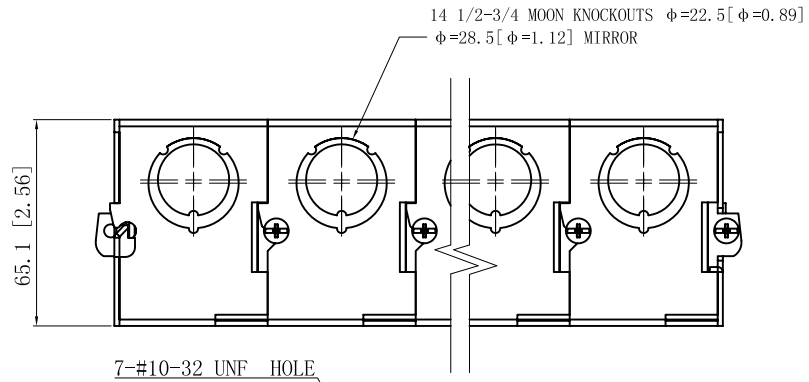


SIDES	BOTTOM
18 1/2"-3/4" MOON KNOCKOUTS	14 1/2"-3/4" MOON KNOCKOUTS
14 PCS 8-32x1/4 Screws Installed	
Material:Steel-0.0625"-G60 Galvanized	



4 1/2-3/4 MOON KNOCKOUTS $\phi=22.5$ [$\phi=0.89$]
 $\phi=28.5$ [$\phi=1.12$] MIRROR

14 1/2-3/4 MOON KNOCKOUTS $\phi=22.5$ [$\phi=0.89$]
 $\phi=28.5$ [$\phi=1.12$]

This data sheet is for reference only .GARVIN INDUSTRIES reserves the right to make changes to the design without prior notice.

DESCRIPTION
TRADE REFERENCE TERMS

STANDARD PACKING	<h1 style="text-align: center;">GARVIN INDUSTRIES</h1>		
1 PCS	TITLE	TB-725-G	
	SIZE		
	A4	DWG NO.	TB-725-G
			DATA SHEET
			REV B