

Cuisinart®

INSTRUCTION
BOOKLET



Kitchen Pro Food Slicer

FS-75 Series

For your safety and continued enjoyment of this product, always read the Instruction Book carefully before using.

IMPORTANT SAFEGUARDS

When using electrical appliances, basic safety precautions should always be taken, including the following:

1. **Read all instructions.**
2. Turn the appliance OFF, then unplug from the outlet when not in use, before assembling or disassembling parts and before cleaning. To unplug, grasp the plug and pull from the outlet. Never pull from the power cord.
3. **Blade is exceptionally sharp. Handle very carefully.**
4. To protect against risk of electrical shock, do not put appliance in water or other liquids.
5. This appliance is not intended for use by persons (including children) with reduced physical, sensory, or mental capabilities, or lack of experience and knowledge, unless they are closely supervised and instructed concerning use of the appliance by a person responsible for their safety. Close supervision is necessary when any appliance is used by or near children. Children should be supervised to ensure that they do not play with the appliance.
6. Avoid contact with moving parts.
7. Never put the unit near a hot burner, in an oven, or in a dishwasher.
8. Do not operate the Cuisinart® Food Slicer, or any other electrical equipment, with a damaged cord or plug or after the unit malfunctions or is dropped or damaged in any manner. Return unit to the nearest authorized service center for examination, repair, or adjustment.
9. Do not use outdoors.
10. Do not let cord hang over edge of a table or counter, come into contact with sharp edges, or touch hot surfaces.
11. Do not pull on the power cord to disconnect.
12. Never plug in the appliance where water may flood the area.
13. Place the appliance on a firm and stable surface.
14. **NEVER PUT YOUR FINGERS NEAR THE BLADE WHILE IT IS IN OPERATION.**
15. Ensure that the appliance is not placed close to the edge of the table, worktop, etc., where it can be pushed off or fall.
16. The use of attachments not recommended or sold by the manufacturer may cause fire, electric shock or injury.
17. Never use abrasive cleaning agents or abrasive cloths when cleaning the unit.
18. The Cuisinart® Food Slicer has a sharp blade. To avoid injury, never hand-feed food to be sliced. Always use the unit when completely assembled with food carriage and food press.
19. This appliance has a polarized plug (one blade is wider than the other). To reduce the risk of electric shock, this plug will fit in a polarized outlet only one way. If the plug does not fit the outlet perfectly, reverse the plug. If it still does not fit, contact a qualified electrician. Do not modify the plug in any way.
20. Do not leave the Cuisinart® Food Slicer unattended while it is running.
21. Always place hand on food guide when slicing.
22. Never place hand behind food carriage.
23. Do not use this food slicer without food guide.
24. To avoid injury, never use hand to push food when slicing.
25. Unplug before cleaning.
26. Do not use for any other purpose than it's intended use.
27. Do not operate your appliance in an appliance garage or under a wall cabinet. **When storing in an appliance garage always unplug the unit from the electrical outlet.** Not doing so could create a risk of fire, especially if the appliance touches the walls of the garage or the door touches the unit as it closes.

SAVE THESE INSTRUCTIONS FOR HOUSEHOLD USE ONLY

In case of any maintenance operations or repairs not specifically stated in this manual, please refer to a qualified service center recommended by Cuisinart. Always read the instructions for use carefully before using and keep them in a place where they can be referred to whenever necessary.

This appliance has a polarized plug (one blade is wider than the other). To reduce the risk of electric shock, this plug will fit in a polarized outlet only one way. If the plug does not fit the outlet perfectly, reverse the plug. If it still does not fit, contact a qualified electrician. Do not modify the plug in any way.

IMPORTANT UNPACKING INSTRUCTIONS

CAUTION: THE SLICING BLADE HAS A VERY SHARP EDGE.

To avoid injury when unpacking the unit, please follow these instructions:

1. Put the box on a large, sturdy, flat surface.
2. Remove the instruction book and any other literature.
3. Position box on its side. Slide the packaged unit out of the box.
4. Remove the Styrofoam® inserts.
5. Carefully take the Cuisinart® Food Slicer out of the plastic bag. Please use extreme caution in removing the rubber guards from slicing blade area. We suggest you save all the packing materials in the event that future shipping of the machine is needed.

Keep all plastic bags away from children.

REPACKING INSTRUCTIONS

1. Put food slicer on a large, sturdy, flat surface.
2. Put food slicer into plastic bag.
3. Position Styrofoam® inserts on each end of food slicer.
4. Put the packaged unit into the upright box.
5. Replace top corrugation, instruction book and any other literature.

Contents

Important Safeguards	2
Unpacking and Repacking Instructions	3
Introduction	4
Tips.....	4
Parts	5
Use and Care	6
Cleaning and Maintenance	6
Technical Data	6
Warranty	7

INTRODUCTION

ANY WAY YOU SLICE IT!

The Cuisinart® Food Slicer eliminates one of the most time-consuming jobs in food prep. This commercial-quality slicer adjusts from $\frac{1}{32}$ "(0.8mm) to $\frac{1}{2}$ "(15mm) to let you slice everything from paper-thin pepperoni to perfect servings of roast beef. It makes life a little more fun, and entertaining as easy as 1-2-3!

TIPS FOR USING YOUR CUISINART® FOOD SLICER

The Cuisinart® Food Slicer does a great job on a variety of foods. Throwing a great dinner party is as easy as 1-2-3. Start with a simple and delicious antipasto appetizer of sliced cheese, salami and French bread. For best results, always use a hard cheese that has been refrigerated. Slicing the salami and then the French bread will allow for an easier cleanup. Then, move on to slice salad ingredients, potatoes for potatoes au gratin, and even roast beef.

Homemade apple pie can be fast and delicious when the Cuisinart® Food Slicer does all the slicing work for you.

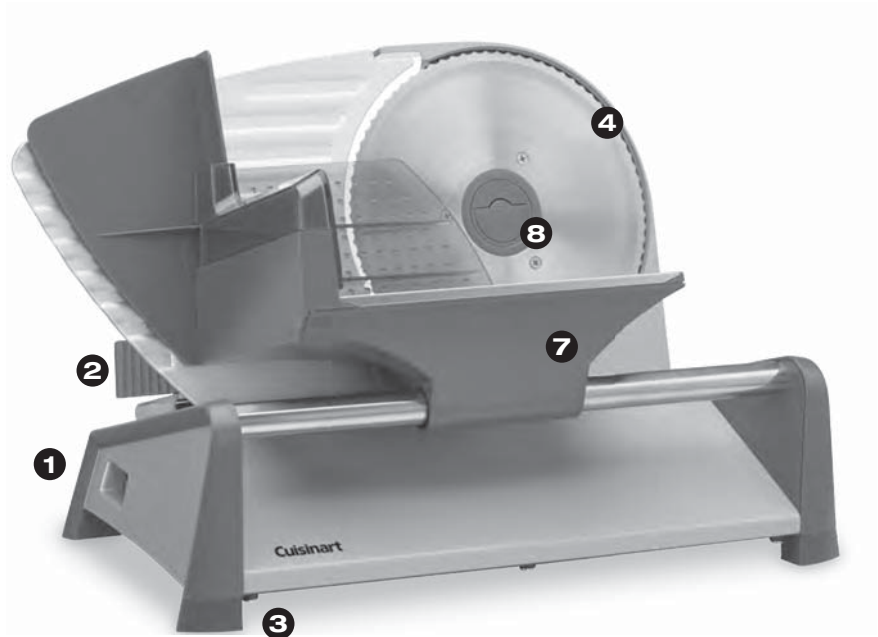
A child's birthday party can be fun and easy. Just slice all your ingredients for pizza in advance, and the children can have a great time making their own pizzas.

Having a summer barbecue is effortless with the Cuisinart® Food Slicer. Tomatoes, onions, cheese and even lettuce take no time at all to prepare.

For all your slicing needs, from paper thin to extra thick, the Cuisinart® Food Slicer makes food preparation fast and easy.

PARTS

1. ON/OFF Switch
2. Slice Control Knob
3. Non-Slip Feet
4. 7.5" Stainless Steel Blade
5. Food Guide
6. Plastic Safety Guard
7. Removable Stainless Steel Slicing Carriage
8. Center Hub for Blade Removal



USE AND CARE

1. To use your Cuisinart® Food Slicer, place on a sturdy, flat surface.
2. Check that the switch is turned OFF before plugging in the appliance.
3. Adjust the slice control knob to desired slicing thickness (1/32" 0.8mm to 1/2" 15mm).
4. Position food to be cut on the stainless steel carriage and secure with plastic safety guard.
5. Turn the Cuisinart® Food Slicer ON.
6. Position hand on food guide handles and smoothly slide carriage backward and forward. NEVER USE YOUR FINGERS.
7. To ensure even slicing, do not press the food against the blade too firmly.
8. At this point, check for desired thickness and adjust accordingly with the slice control knob.
9. Continue to slide food carriage back and forth in an even and steady motion. NOTE: Food carriage is removable for cleaning.
10. After all your slicing is done, turn the slicer OFF and unplug.

The Cuisinart® Food Slicer has been designed to operate for short periods (maximum 10 minutes). Do not run for more than 10 minutes in constant use. Allow it to cool before using it again. If the power cord is damaged, a service center recommended by the manufacturer must repair it.

CLEANING AND MAINTENANCE

Always unplug your Cuisinart® Food Slicer and turn the slice control knob back to zero before cleaning the appliance. DO NOT PUT THE APPLIANCE IN WATER. This could cause damage to electrical parts.

1. Clean and dry all parts immediately after use.
2. Fold out food carriage away from the base for easy cleaning of crumbs, seeds, etc.
3. To remove food carriage for cleaning, hold food carriage with two hands and tilt frontward toward you. There is a button to release the carriage marked "Press to release." Press, release, and wash with warm, soapy water. Dry thoroughly. To reassemble, align top part of food carriage to bottom part of food carriage and click into place.
4. To remove blade, press in tab where indicated in center hub; twist clockwise and carefully lift and remove blade.
5. With a soft sponge or cleaning cloth, clean both sides of blade with mild soap and water. Rinse and dry blade thoroughly.
6. To replace blade, hold tab, aligning the blade with the drive gears so it engages fully. Turn tab counterclockwise to tighten.
7. Any other servicing should be performed by an authorized service representative.

DO NOT WASH ANY PART OF THIS SLICER IN A DISHWASHER.

TECHNICAL DATA

CARRIAGE SURFACE:	Stainless Steel
Blade:	Stainless Steel
POWER:	130W 120V/60Hz

WARRANTY

LIMITED THREE-YEAR WARRANTY

(U.S. and Canada ONLY)

This warranty is available to consumers only. You are a consumer if you own a Cuisinart® Food Slicer that was purchased at retail for personal, family or household use. Except as otherwise required under applicable law, this warranty is not available to retailers or other commercial purchasers or owners.

We warrant that your Cuisinart® Food Slicer will be free of defects in materials and workmanship under normal home use for 3 years from the date of original purchase.

We recommend that you visit our website, www.cuisinart.com for a fast, efficient way to complete your product registration. However, product registration does not eliminate the need for the consumer to maintain the original proof of purchase in order to obtain the warranty benefits. In the event that you do not have proof of purchase date, the purchase date for purposes of this warranty will be the date of manufacture.

If your Cuisinart® Food Slicer should prove to be defective within the warranty period, we will repair it, or if we think necessary, replace it. To obtain warranty service, simply call our toll-free number 1-800-726-0190 for additional information from our Consumer Service Representatives, or send the defective product to Consumer Service at Cuisinart, 7475 North Glen Harbor Blvd., Glendale, AZ 85307.

To facilitate the speed and accuracy of your return, please enclose \$10.00 for shipping and handling of the product.

Please pay by check or money order payable to Cuisinart (California residents need only supply proof of purchase and should call 1-800-726-0190 for shipping instructions).

NOTE: For added protection and secure handling of any Cuisinart product that is being returned, we recommend you use a traceable, insured delivery service. Cuisinart cannot be held responsible for in-transit damage or for packages that are not delivered to us. Lost and/or damaged products are not covered under warranty. Please be sure to include your return address, daytime phone number, description of the product defect, product model number (located on bottom of product), original date of purchase, and any other information pertinent to the product's return.

CALIFORNIA RESIDENTS ONLY:

California law provides that for In-Warranty Service, California residents have the option of returning a nonconforming product (A) to the store where it was purchased or (B) to another retail store that sells Cuisinart products of the same type.

The retail store shall then, at its discretion, either repair the product, refer the consumer to an independent repair facility, replace the product, or refund the purchase price less the amount directly attributable to the consumer's prior usage of the product. If the above two options do not result in the appropriate relief to the consumer, the consumer

may then take the product to an independent repair facility if service or repair can be economically accomplished. Cuisinart and not the consumer will be responsible for the reasonable cost of such service, repair, replacement, or refund for nonconforming products under warranty.

California residents may also, according to their preference, return nonconforming products directly to Cuisinart for repair, or if necessary, replacement, by calling our Consumer Service Center toll-free at 1-800-726-0190.

Cuisinart will be responsible for the cost of the repair, replacement, and shipping and handling for such products under warranty.

BEFORE RETURNING YOUR CUISINART PRODUCT

If you are experiencing problems with your Cuisinart product, we suggest that you call our Cuisinart Service Center at 1-800-726-0190 before returning the product for service. If servicing is needed, a Representative can confirm whether the product is under warranty and direct you to the nearest service location.

Your Cuisinart® Food Slicer has been manufactured to the strictest specifications and has been designed for use only in 120-volt outlets and only with authorized accessories and replacement parts. This warranty expressly excludes any defects or damages caused by attempted use of this unit with a converter, as well as by use with accessories, replacement parts or repair service other than those authorized by Cuisinart. This warranty does not cover any damage caused by accident, misuse, shipment or other than ordinary household use. This warranty excludes all incidental or consequential damages. Some states do not allow the exclusion or limitation of these damages, so these exclusions may not apply to you. You may also have other rights, which vary from state to state.

Important: If the nonconforming product is to be serviced by someone other than Cuisinart's Authorized Service Center, please remind the servicer to call our Consumer Service Center at 1-800-726-0190 to ensure that the problem is properly diagnosed, the product is serviced with the correct parts, and the product is still under warranty.

Trademarks or service marks of third parties used herein are the trademarks or service marks of their respective owners.

©2019 Cuisinart
East Windsor, NJ 08520
Printed in China

19CE064026

U IB-13907-ESP-B

Todas marcas registradas o marcas de comercio mencionadas en esta pertenecen a sus titulares respectivos.

U IB-13907-ESP-B

19CE064026

Impreso en China

East Windsor, NJ 08520

©2019 Cuisinart

GARANTÍA

GARANTÍA LIMITADA DE TRES AÑOS

(válida en los EE.UU. y en Canadá solamente)

Esta garantía es para los consumidores solamente. Usted es un consumidor si ha comprado su aparato Cuisinart® en una tienda, para uso personal o casero. A excepción de los estados donde la ley lo permita, esta garantía no es para los detallistas u otros comerciantes.

Cuisinart garantiza este aparato contra todo defecto de materiales o fabricación durante 3 años después de la fecha de compra original, siempre que el aparato haya sido utilizado para uso doméstico y según las instrucciones.

Le aconsejamos que llene el formulario de registro disponible en www.cuisinart.com a fin de facilitar la verificación de la fecha de compra original. Sin embargo, no es necesario registrar el producto para recibir servicio bajo esta garantía. En ausencia del recibo de compra, el periodo de garantía será calculado a partir de la fecha de fabricación.

Si este aparato presentara algún defecto de materiales o fabricación durante el periodo de garantía, la repararemos o reemplazaremos (a nuestra opción). Para obtener servicio bajo esta garantía, llame a nuestra línea directa gratuita al 1-800-726-0190 o regrese el aparato defectuoso a: Cuisinart, Service Department, 7475 North Glen Harbor Blvd., Glendale, AZ 85307.

Regrese el aparato defectuoso, junto con su recibo de compra y un cheque o giro postal de US\$100 por gastos de manejo y envío.

Los residentes de California solo necesitan dar una prueba de compra y deben llamar al 1-800-726-0190 para recibir instrucciones de envío.

NOTA: para más seguridad, le aconsejamos que mande su paquete por un método de entrega con seguro y seguimiento. Cuisinart no será responsable por los daños ocurridos durante el transporte y/o los paquetes mandados a una dirección equivocada. Los productos perdidos y/o lastimados durante el envío no serán cubiertos bajo esta garantía. Recuerde incluir su nombre, dirección y teléfono, la descripción del problema, así como cualquier información pertinente.

RESIDENTES DE CALIFORNIA SOLAMENTE

La ley del estado de California ofrece dos opciones bajo el periodo de garantía. Los residentes del estado de California pueden (A) regresar el producto defectuoso a la tienda donde lo compraron o (B) a otra tienda que venda productos Cuisinart® de este tipo.

La tienda, a su opción, reparará el producto, referirá al consumidor a un centro de servicio independiente, cambiará el producto o reembolsará al consumidor el precio

original del producto, menos la cantidad imputable al uso del producto por el consumidor hasta que este se dañe. Si estas dos opciones no satisficieren al consumidor, podrá llevar el aparato a un centro de servicio independiente, siempre que se pueda ajustar o reparar el aparato de manera económica. Cuisinart será responsable por los gastos de servicio, reparación, reemplazo o reembolso de los productos defectuosos durante el periodo de garantía.

Los residentes de California también pueden, si lo desean, mandar el aparato defectuoso directamente a Cuisinart para que lo reparen o lo cambien. Para esto, se debe llamar a nuestro servicio posventa al 1-800-800-726-0190.

Cuisinart será responsable por los gastos de reparación, reemplazo, manejo y envío de los productos defectuosos durante el periodo de garantía.

ANTES DE HACER REPARAR SU APARATO

Si su aparato tiene algún problema, le recomendamos que llame a nuestro servicio posventa al 1-800-726-0190 antes de regresar el aparato a Cuisinart. Un representante le confirmará si su aparato sigue bajo garantía y le indicará la dirección del centro de servicio más cercano.

Este aparato satisface las más altas exigencias de fabricación y ha sido diseñado para uso sobre corriente de 120V, usando accesorios y piezas de repuesto autorizados solamente. Esta garantía excluye expresamente los daños causados por accesorios, piezas o reparaciones no autorizados por Cuisinart, así como los daños causados por el uso de un convertidor de voltaje. Esta garantía no cubre el uso institucional o comercial del producto, y no es válida en caso de daños expresamente todos los daños incidentales o consecuentes. Algunos Estados no permiten la exclusión o limitación de daños incidentales o consecuentes, de modo que las limitaciones mencionadas pueden no regir para usted. Usted puede tener otros derechos que varían de un Estado a otro.

Importante: si debe llevar el aparato defectuoso a un centro de servicio no autorizado, por favor informe al personal del centro de servicio que deberían llamar al servicio posventa de Cuisinart al 1-800-726-0190 a fin de diagnosticar el problema correctamente, usar las piezas correctas para repararlo y asegurarse de que el producto esté bajo garantía.

INSTRUCCIONES DE USO

1. Ponga el aparato sobre una superficie plana y segura.

2. Asegúrese de que el botón de encendido/apagado esté en la posición de apagado (OFF) antes de enchufar el aparato.

3. Ajuste el grosor de las rebanadas desde 0,8 mm ($1/32$ pulgada) hasta 15 mm ($1/2$ pulgada).

4. Coloque el alimento sobre la bandeja móvil y sujételo con el protector de plástico.

5. Encienda (ON) el aparato.

6. Ponga la mano sobre el asa del empujador y deslice la bandeja móvil hacia delante, y luego hacia atrás. NUNCA EMPUJE LOS ALIMENTOS CON LOS DEDOS.

7. Para obtener rebanadas uniformes, no haga mucha presión contra la cuchilla.

8. Averigüe el grosor de las rebanadas y ajuste el grosor si desea.

9. Siga moviendo la bandeja móvil con un movimiento regular, hacia adelante y luego hacia atrás. NOTA: la bandeja móvil puede desmontarse para limpiarse.

10. Después de terminar, apague (OFF) y desconecte el aparato.

La rebanadora Cuisinart® ha sido diseñada para funcionar de manera continua durante cortos periodos (10 minutos máximo). No utilice el aparato sin interrupción durante más de 10 minutos. Permita que el aparato enfríe antes de usarlo otra vez. Si el cable está dañado, debe ser reparado por un centro de servicio autorizado.

LIMPIEZA Y MANTENIMIENTO

Siempre desconecte el aparato y ponga el regulador del grosor de las

rebanadas en la posición "cero" antes de limpiar la rebanadora Cuisinart®. NO SUMERJA EL APARATO EN AGUA; esto podría dañar los componentes eléctricos del aparato.

1. Limpie y seque todas las piezas inmediatamente después de cada uso.

2. Abra la bandeja móvil para quitar fácilmente las migajas, semillas, etc.

3. Para desmontar la bandeja móvil, sosténgala entre las dos manos e

incline-la hacia adelante. Oprima el botón marcado "Press to release". Separe la bandeja del cuerpo del aparato y lávela en agua jabonosa

tibia. Segue bien. Para volver a instalar la bandeja, haga coincidir la parte inferior con la parte superior de la bandeja y empuje hasta que encaje en su lugar.

4. Para retirar la cuchilla, presione el eje donde se indica "PRESS" y gire en sentido horario. Retire la cuchilla con sumo cuidado.

5. Limpie ambos lados de la cuchilla con una esponja o un paño suave

humedecido con agua jabonosa. Enjuague y seque la cuchilla antes de volver a instalarla.

6. Para instalar la cuchilla, sostenga esta por el eje y hágala coincidir con el árbol motor. Empuje para engranarla. Gire el eje en sentido antihorario para sujetar la cuchilla.

7. Cualquier otro servicio debe ser realizado por un técnico autorizado.

NINGUNA PARTE DEL APARATO ES APTA PARA LAVAVAJILLAS.

ESPECIFICACIONES TÉCNICAS

BANDEJA MÓVIL:

Acero inoxidable

CUCHILLA:

Acero inoxidable

POTENCIA:

130W, 120V (60Hz)

PIEZAS

1. Botón de encendido/apagado

2. Regulador del grosor de las rebanadas

3. Pies antideslizantes

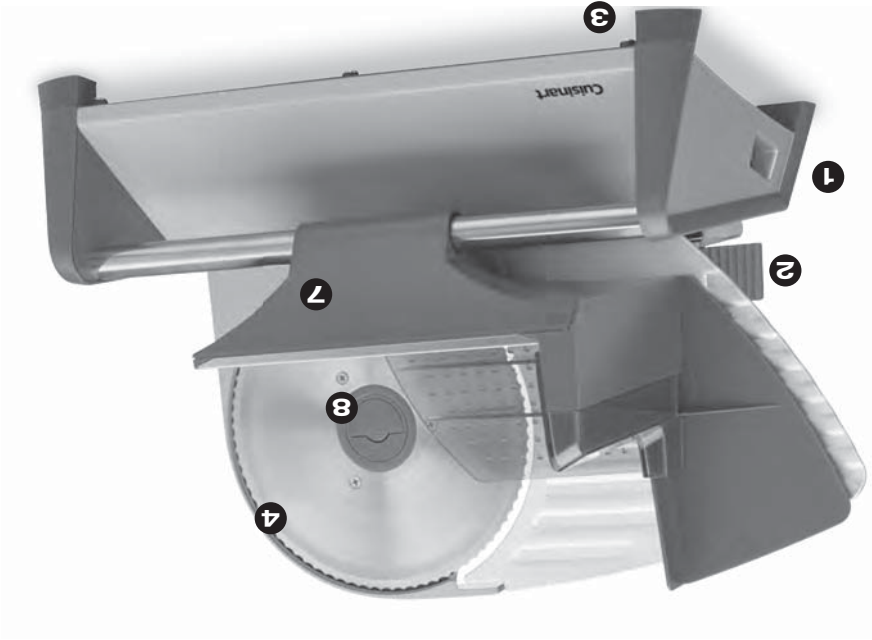
4. Cuchilla de acero inoxidable de 19 cm (7,5 pulgadas) de diámetro

5. Empujador con asa

6. Protector de plástico

7. Bandeja móvil de acero inoxidable, desmontable

8. Eje para desmontar la cuchilla



5



6

Medidas de seguridad importantes 2

Instrucciones de desembalaje/empaque 3

Introducción 4

Consejos 4

Piezas 5

Funcionamiento 6

Limpieza y mantenimiento 6

Especificaciones técnicas 6

Garantía 7

INTRODUCCIÓN

¡CÓRTELO COMO A USTED LE GUSTA!

La rebanadora profesional Cuisinart® le hará ganar mucho tiempo en su cocina. Este aparato de calidad profesional, que permite cortar rebanadas de 0.8 mm (1/32 pulgada) a 15 mm (1/2 pulgada) de grueso, es ideal para rebanar una gran variedad de alimentos desde salchichón hasta carne de res asada. ¡La vida es más fácil y divertida gracias a Cuisinart!

CONSEJOS DE USO

La rebanadora profesional Cuisinart® es perfecta para rebanar una gran variedad de alimentos. Para su próxima fiesta, pruebe lo siguiente: primero, prepare unos bocadillos simples y deliciosos de pan francés con salami y queso. Para resultados óptimos, elija un queso duro y refrigérello antes de cortarlo. Corte el pan de último; se le hará más fácil limpiar la rebanadora. Después de los bocadillos, prepare una ensalada con ingredientes frescos cortados en rebanadas, y luego un gratinado de papas con rosbif.

La rebanadora profesional Cuisinart® también le puede ayudar a preparar una gran variedad de postres, como deliciosas tortas de manzana.

Gracias a ella, las fiestas de cumpleaños para niños serán más fáciles y divertidas. ¡Simplemente rebane todos los ingredientes para hacer pizza antes de la fiesta y deje que los niños preparen sus propias pizzas!

La rebanadora profesional Cuisinart® puede preparar muchos de los ingredientes para un asado: tomates, cebollas, queso, lechuga, etc.

La rebanadora profesional Cuisinart® le ayudará en todo, cortando fácil y rápidamente rebanadas desde súper finas hasta súper gruesas. ¡Como a usted le gusta!

gabinete. Dejar el aparato conectado presenta un riesgo de incendio, especialmente si este toca las paredes o la puerta del armario/gabinete cuando cierra.

GUARDE ESTAS INSTRUCCIONES PARA USO DOMÉSTICO SOLAMENTE

Cualquier operación de mantenimiento o reparación no mencionada en este manual debe ser realizada por un técnico calificado, en un centro de servicio técnico autorizado. Siempre lea cuidadosamente las instrucciones antes de usar el aparato. Guarde las instrucciones en un lugar seguro para futura referencia.

El cable de este aparato está dotado de una clavija polarizada (una pata es más ancha que otra). Como medida de seguridad, se podrá enchufar de una sola manera en la toma de corriente polarizada. Si no entrara en la toma de corriente, inviértela. Si aun no entrara completamente, comuníquese con un electricista. No intente modificarla.

IMPORTANTES INSTRUCCIONES DE DESEMBALAJE

PRECAUCIÓN: LA CUCHILLA ES MUY FILOSA.

Para evitar las heridas, desembale el aparato cuidadosamente, siguiendo las instrucciones a continuación:

1. Ponga la caja sobre una superficie espaciosa, plana y segura.

2. Retire el manual de instrucciones y otros folletos de la caja.

3. Voltee la caja para que repose en su lado. Retire el aparato de la caja.

4. Retire los insertos de espuma de poliestireno.

5. Retire cuidadosamente el aparato de la bolsa de plástico. Tenga mucho

cuidado al retirar los tacos de goma que se encuentran en el área de la cuchilla. Le aconsejamos que conserve el material de embalaje.

Mantenga las bolsas de plástico fuera del alcance de los niños.

INSTRUCCIONES DE EMPAQUE

1. Ponga el aparato sobre una superficie espaciosa, plana y segura.

2. Coloque el aparato en la bolsa de plástico.

3. Coloque un inserto de espuma de poliestireno en cada lado del aparato.

4. Ponga el aparato, junto con los insertos, adentro de la caja.

5. Regrese el inserto de cartón encima del aparato, ponga el manual de instrucciones y otros folletos en la caja y cierre la misma.

MEDIDAS DE SEGURIDAD IMPORTANTES

Al usar aparatos eléctricos, siempre debe tomar precauciones básicas de seguridad, incluso las siguientes:

1. Lea todas las instrucciones.

2. Apague ("OFF") y desconchufe el aparato cuando no está en uso, antes de instalar/sacar piezas y antes de limpiarlo. Para desconchufar, agarre el enchufe y jale de la toma de corriente. Nunca jale el cable.

3. La cuchilla es MUY filiosa; manipúlela con sumo cuidado.

4. Para reducir el riesgo de electrocución, no coloque la base del aparato en agua u otro líquido.

5. Los niños o las personas que carezcan de la experiencia o de los conocimientos necesarios para manipular el aparato, o aquellas cuyas capacidades físicas, sensoriales, o mentales estén limitadas, no deben utilizar el aparato sin la supervisión o la dirección de una persona responsable por su seguridad. Supervise el uso de este aparato cuidadosamente cuando sea usado por o cerca de niños. No permita que los niños jueguen con este aparato.

6. Evite el contacto con las piezas móviles.

7. No coloque el aparato sobre o cerca de una hornilla caliente, ni adentro de un horno caliente; tampoco lo ponga en el lavavajillas.

8. No utilice este aparato si el cable o la clavija estuviesen dañados, después de que hubiese funcionado mal o que se hubiese caído o si estuviese dañado; regrese a un centro de servicio autorizado para su revisión, reparación o ajuste.

9. No lo utilice en exteriores.

10. No permita que el cable cuelgue del borde de la encimera o de la mesa, ni que haga contacto con superficies calientes o tájantes.

11. No jale el cable para desconectar el aparato.

12. Nunca enchufe el aparato en un lugar donde pueda quedar sumergido en agua.

13. Ponga el aparato sobre una superficie llana y segura.

14. MANTENGA LOS DEDOS ALEJADOS DE LA CUCHILLA DURANTE EL FUNCIONAMIENTO.

15. No coloque el aparato cerca del borde de una mesa o encimera, de donde pueda ser empujado o caerse.

16. El uso de accesorios no recomendados o vendidos por el fabricante presenta un riesgo de incendio, electrocución o heridas.

17. Nunca limpie el aparato con productos o materiales abrasivos.

18. La cuchilla de su rebanadora Cuisinart® es muy filiosa. Para evitar las heridas, nunca empuje los alimentos con la mano. No utilice el

aparato a menos que esté completamente y debidamente ensamblado.

Nunca lo use sin el empujador.

19. El cable de este aparato está dotado de una clavija polarizada (una pata es más ancha que otra). Como medida de seguridad, se podrá enchufar de una sola manera en la toma de corriente polarizada. Si no entrara en la toma de corriente, invíértela. Si aún no entrara completamente, comuníquese con un electricista. No intente modificarla.

20. No descuide ni abandone el aparato durante el funcionamiento.

21. Mantenga la mano sobre el asa del empujador al rebanar.

22. Nunca ponga la mano atrás de la bandeja móvil.

23. Nunca utilice el aparato si el asa faltara.

24. Para evitar las heridas, nunca empuje los alimentos con la mano.

25. Desconecte el aparato antes de limpiarlo.

26. No utilice el aparato para ningún otro fin que no sea el indicado.

27. No haga funcionar el aparato debajo o dentro de un armario/gabinete. **Siempre desconecte el aparato antes de guardarlo en un armario/**

Para su seguridad y para disfrutar plenamente de este producto,
siempre lea cuidadosamente las instrucciones antes de usarlo.

Rebanadora profesional

Serie FS-75



Cuisinart®

MANUAL DE
INSTRUCCIONES

Version no: FS75 IB-13907-ESP-B
Size: 210 mm (W) x 148 mm (H) Total Pages:16pps
Material: 105gsm art paper for whole book Cover: Inside:
Coating:Gloss varnishing of Cover
Color: 4C+1C Cover: Inside:1C+1C(BLACK)
Die cut: New
Blinding: Saddle Stitching
Date: 10/09/19 (00)
Coordinator: Astor You / Linda Ouyang

 CHUNG TAI PRINTING HOLDINGS LTD.
中大印刷集團有限公司

Tel: 2669 6173 Fax: 2677 6556

